



US00D959324S

(12) **United States Design Patent**
Haber

(10) **Patent No.:** **US D959,324 S**

(45) **Date of Patent:** **** Aug. 2, 2022**

- (54) **COMBINED PLANTER**
- (71) Applicant: **KnowingNature LLC**, New York, NY (US)
- (72) Inventor: **Rachel Haber**, New York, NY (US)
- (73) Assignee: **KNOWINGNATURE LLC**, Englewood, NJ (US)
- (**) Term: **15 Years**

D245,241 S *	8/1977	Robinson	D11/155
D259,777 S *	7/1981	Ehrreich	D11/155
D259,867 S *	7/1981	Kenyon	D11/155
4,349,124 A *	9/1982	Faller	B65D 1/44 220/608
4,790,105 A *	12/1988	Wareing	B65D 85/52 47/84
D365,501 S *	12/1995	Daugherty	D7/354
D415,935 S *	11/1999	Martinez	D7/602
D507,204 S *	7/2005	Chang	D11/156
D623,085 S *	9/2010	Rackley	D11/144
D653,496 S *	2/2012	Henry	D7/354

(Continued)

- (21) Appl. No.: **29/723,267**
- (22) Filed: **Feb. 5, 2020**
- (51) **LOC (13) Cl.** **11-02**
- (52) **U.S. Cl.**
USPC **D11/155**
- (58) **Field of Classification Search**
USPC D11/143–156, 164; D7/554.3, 562, 586,
D7/587
CPC A01G 9/02; A01G 9/021; A01G 9/022;
A01G 9/04; A01G 27/003; A01G 27/005;
A01G 27/008; A47G 7/00; A47G 7/02;
A47G 7/06; A47G 7/08
See application file for complete search history.

Primary Examiner — Elizabeth A. Albert
(74) *Attorney, Agent, or Firm* — Leason Ellis LLP

(57) **CLAIM**

The ornamental design for a combined planter, as shown and described.

DESCRIPTION

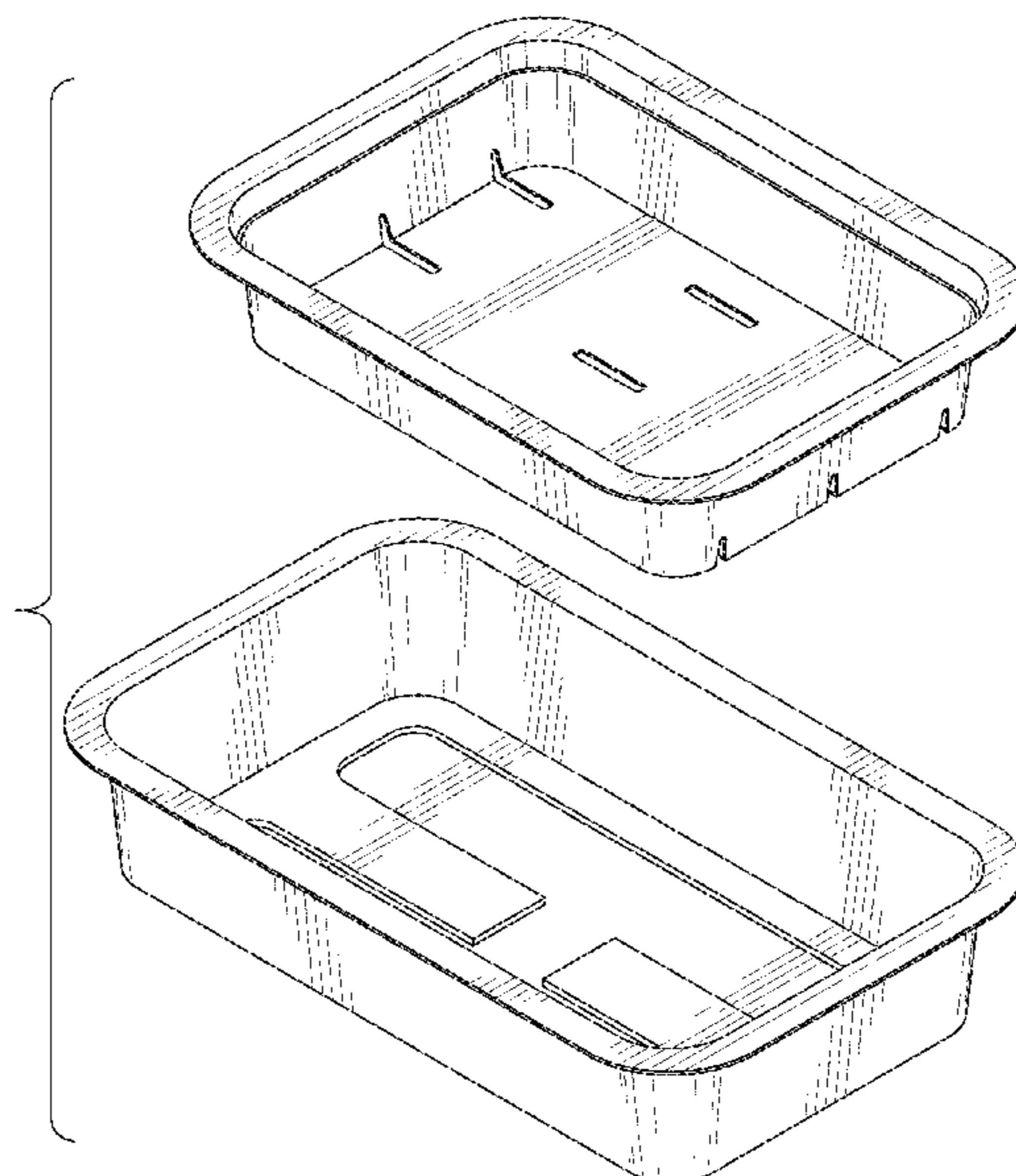
FIG. 1 is a top, left-side perspective view of a top part of the combined planter shown without the bottom part for convenience showing my new design;
 FIG. 2 is a left side elevation view thereof;
 FIG. 3 is a right-side elevation view thereof;
 FIG. 4 is a front elevation view thereof;
 FIG. 5 is rear elevation view thereof;
 FIG. 6 is top plan view thereof;
 FIG. 7 is a bottom plan view thereof;
 FIG. 8 is a top, left-side perspective view of a top part of the combined planter inserted into a bottom part thereof;
 FIG. 9 is a top view of the bottom part of the combined planter shown by itself without the top part for convenience;
 FIG. 10 is a bottom plan view thereof;
 FIG. 11 is a top, left-side perspective view thereof;
 FIG. 12 is left side elevation view thereof; and,
 FIG. 13 is top, perspective exploded view of the top and bottom parts of the combined planter.

(56) **References Cited**

U.S. PATENT DOCUMENTS

1,237,699 A *	8/1917	Rissling	A47G 7/044 248/226.11
1,983,806 A *	12/1934	Norman	A01G 9/1423 47/18
D192,036 S *	1/1962	Raymond	D7/552.1
D212,437 S *	10/1968	Paxton	D11/156
D218,629 S *	9/1970	Hasselbach	D11/156
D229,329 S *	11/1973	Jansen	D11/156
3,834,606 A *	9/1974	Andersson	B65D 1/34 229/406
3,992,809 A *	11/1976	Chew	A01G 31/02 47/62 R

1 Claim, 11 Drawing Sheets



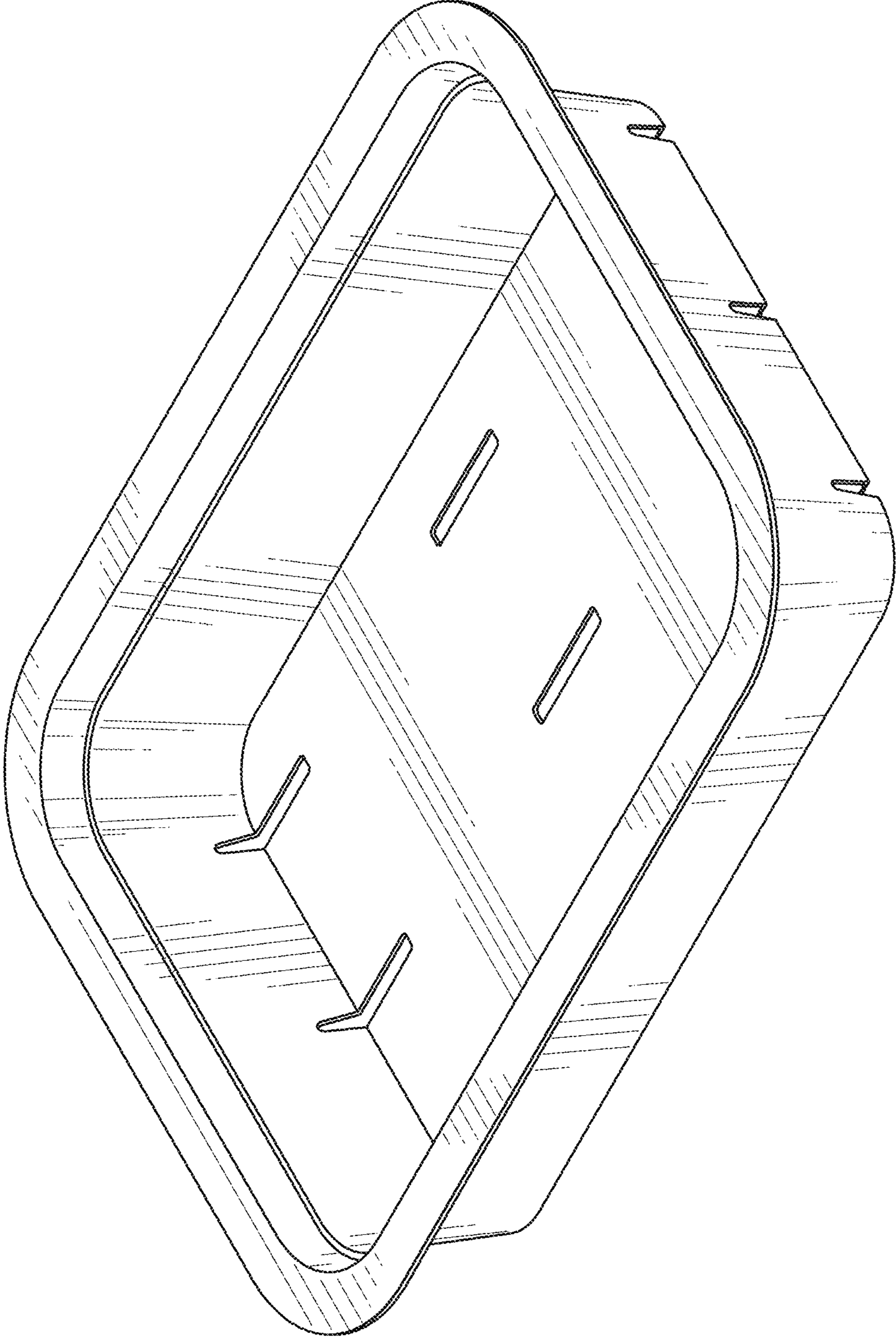


FIG. 1

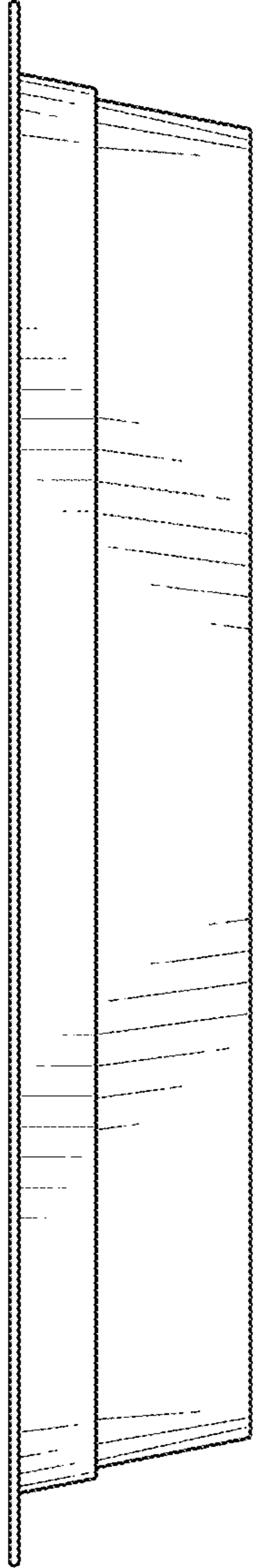


FIG. 2

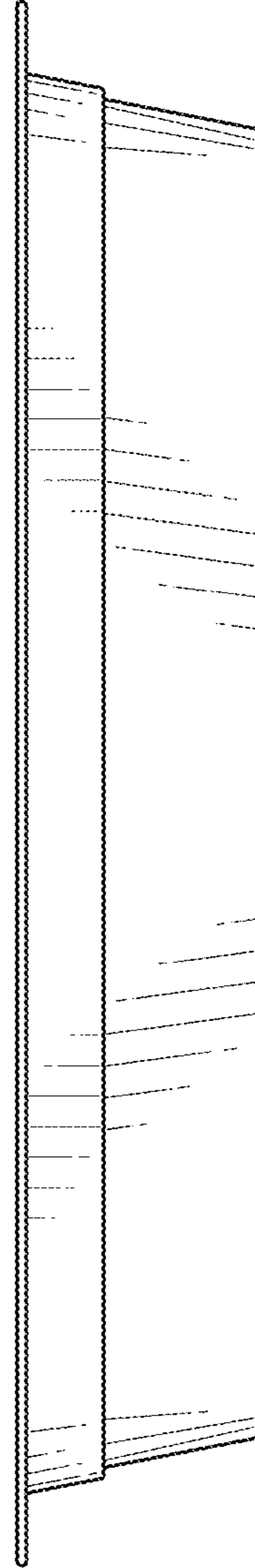


FIG. 3

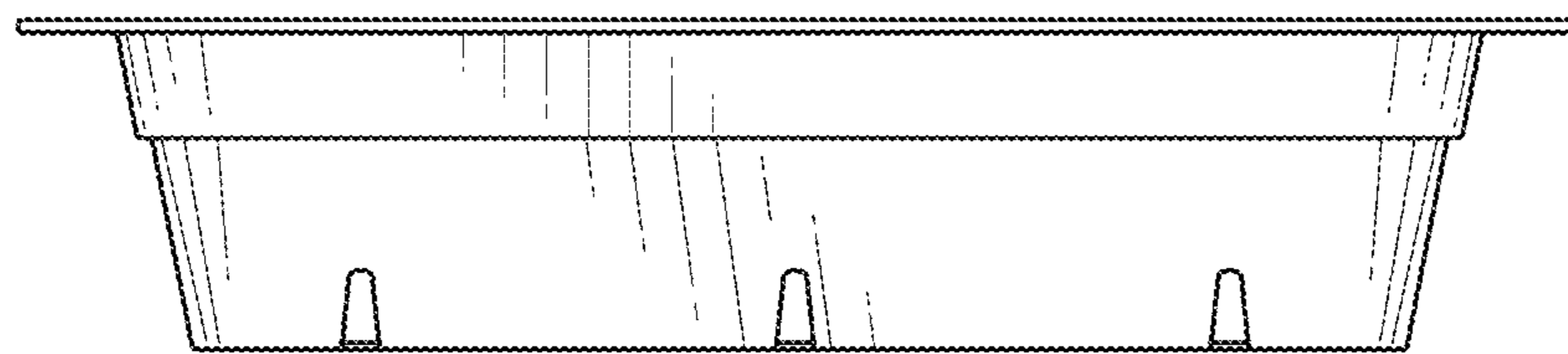


FIG. 4

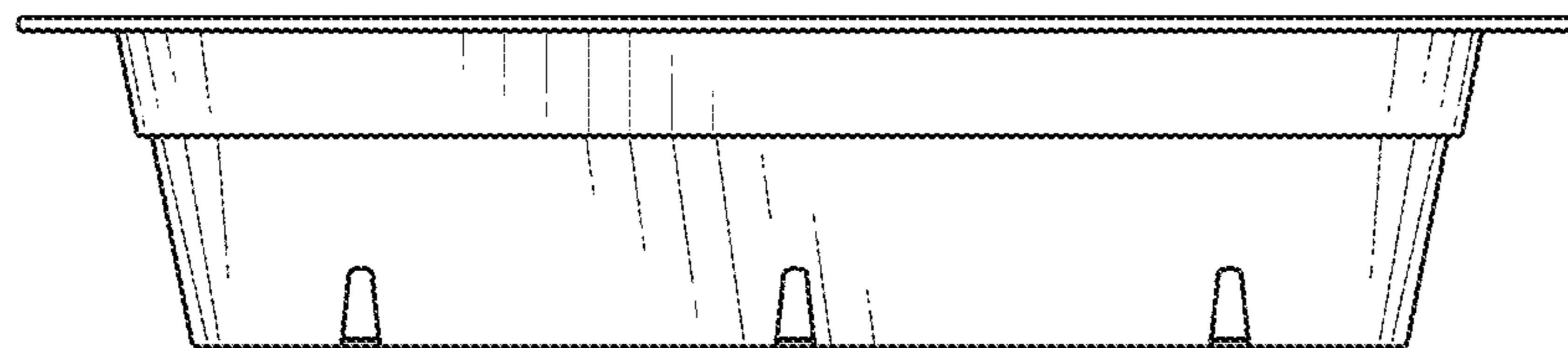


FIG. 5

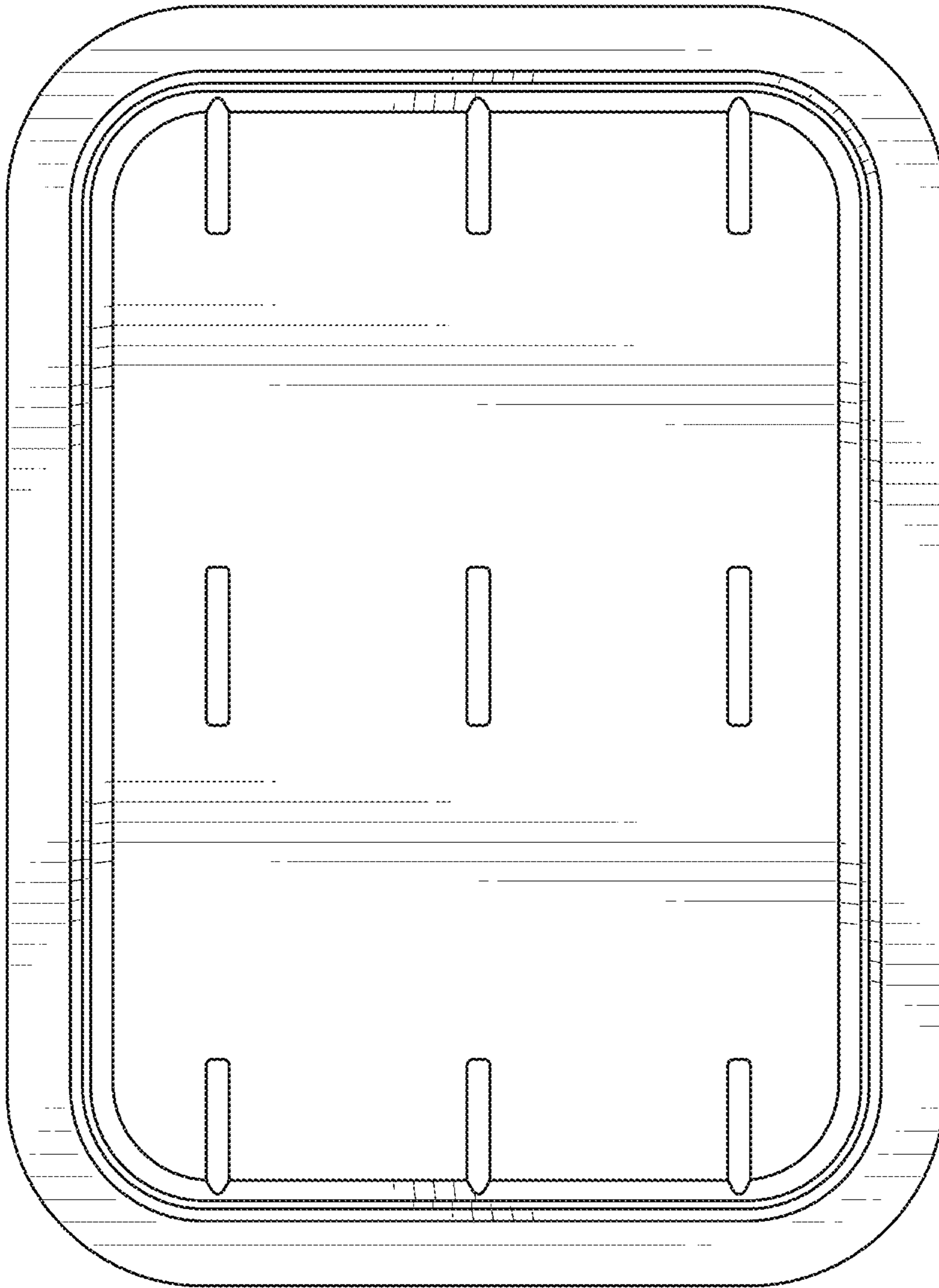


FIG. 6

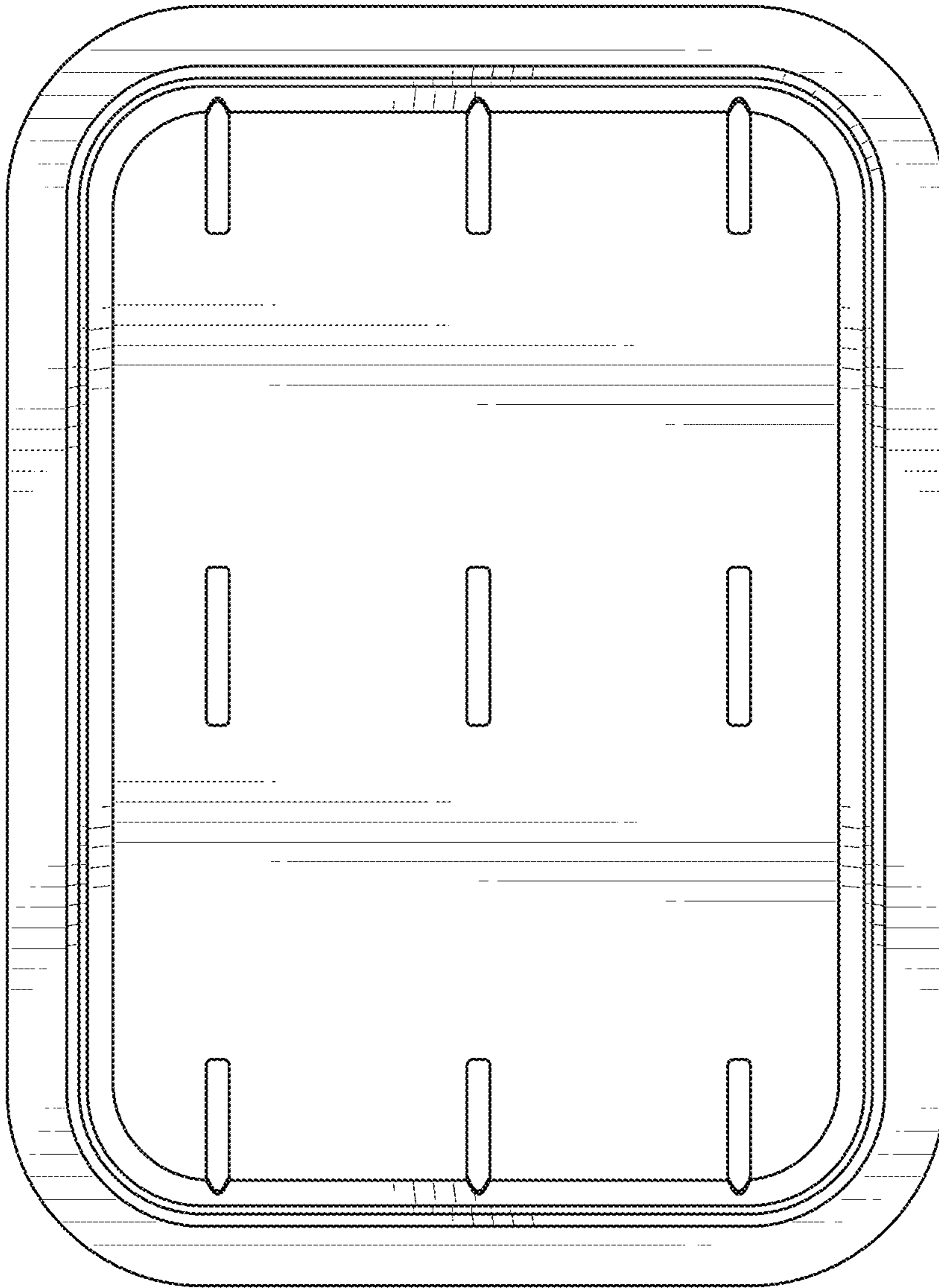


FIG. 7

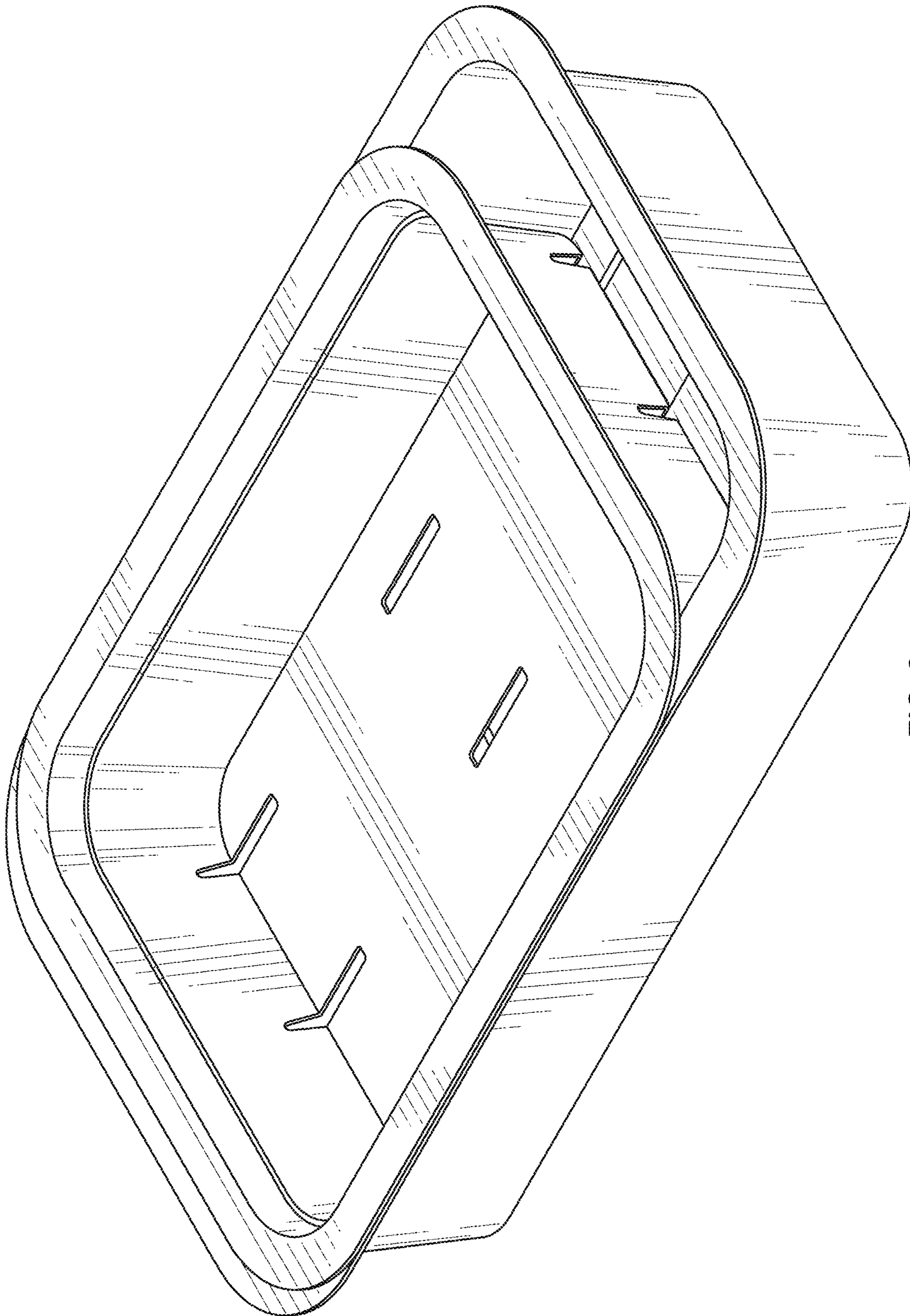


FIG. 8

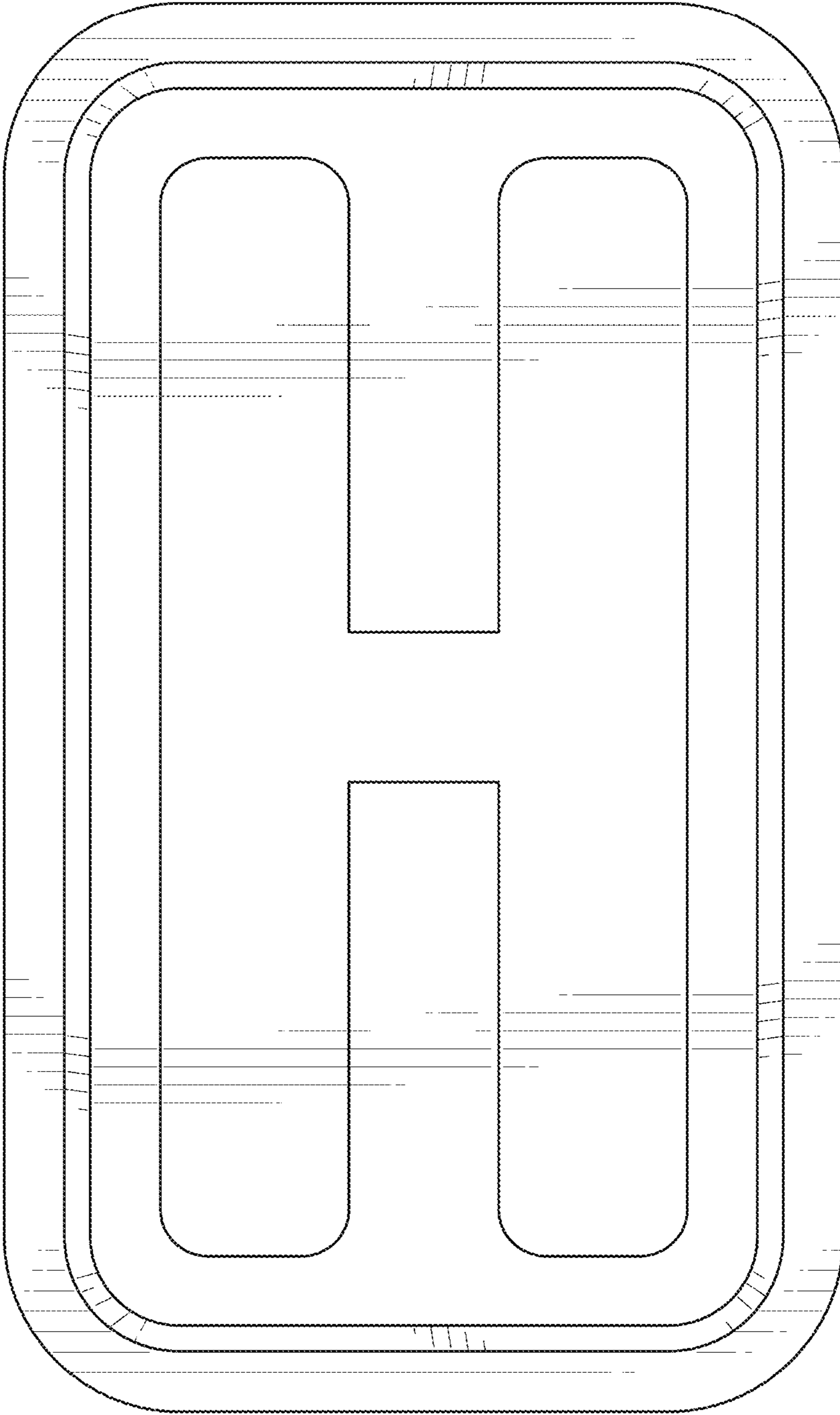


FIG. 9

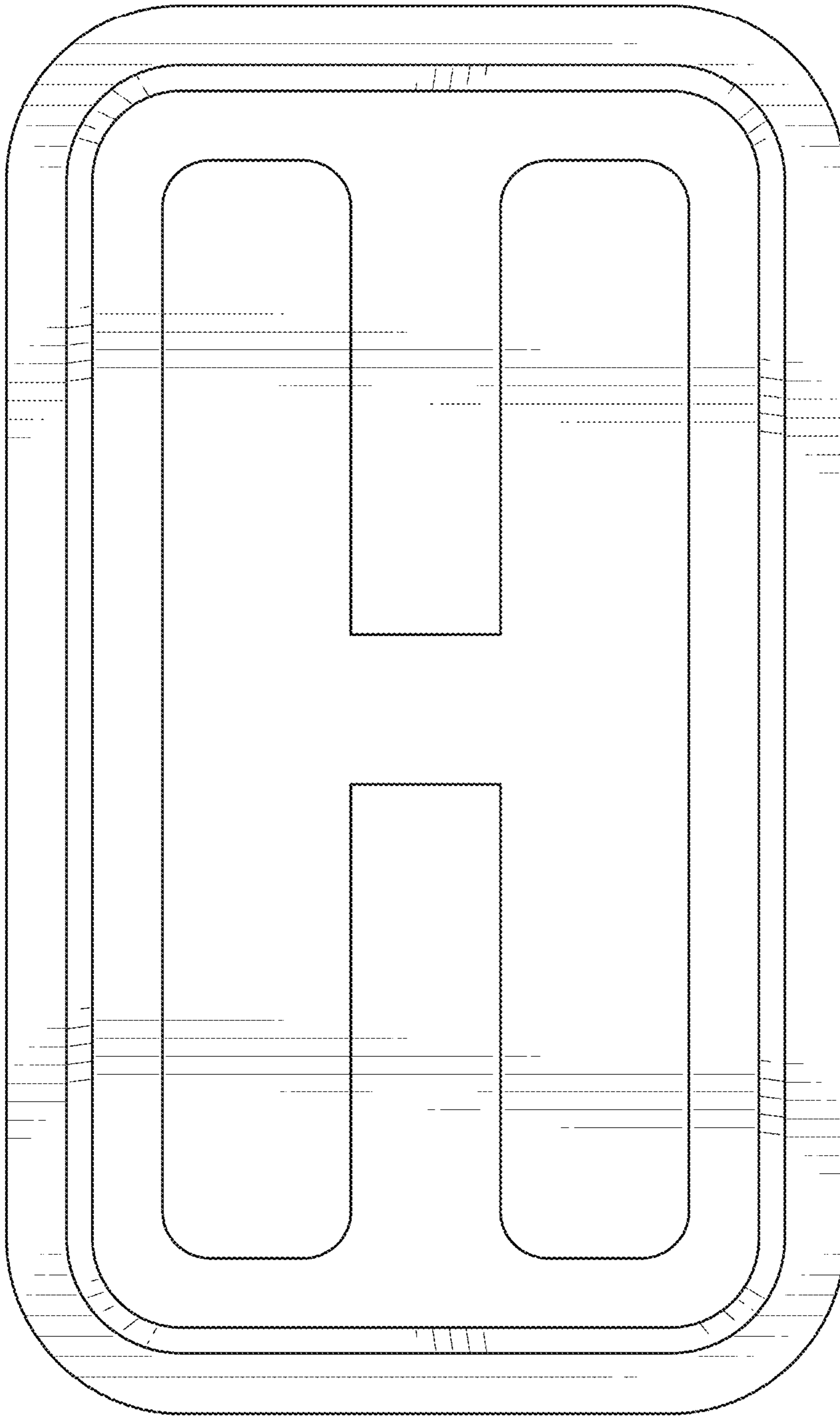


FIG. 10

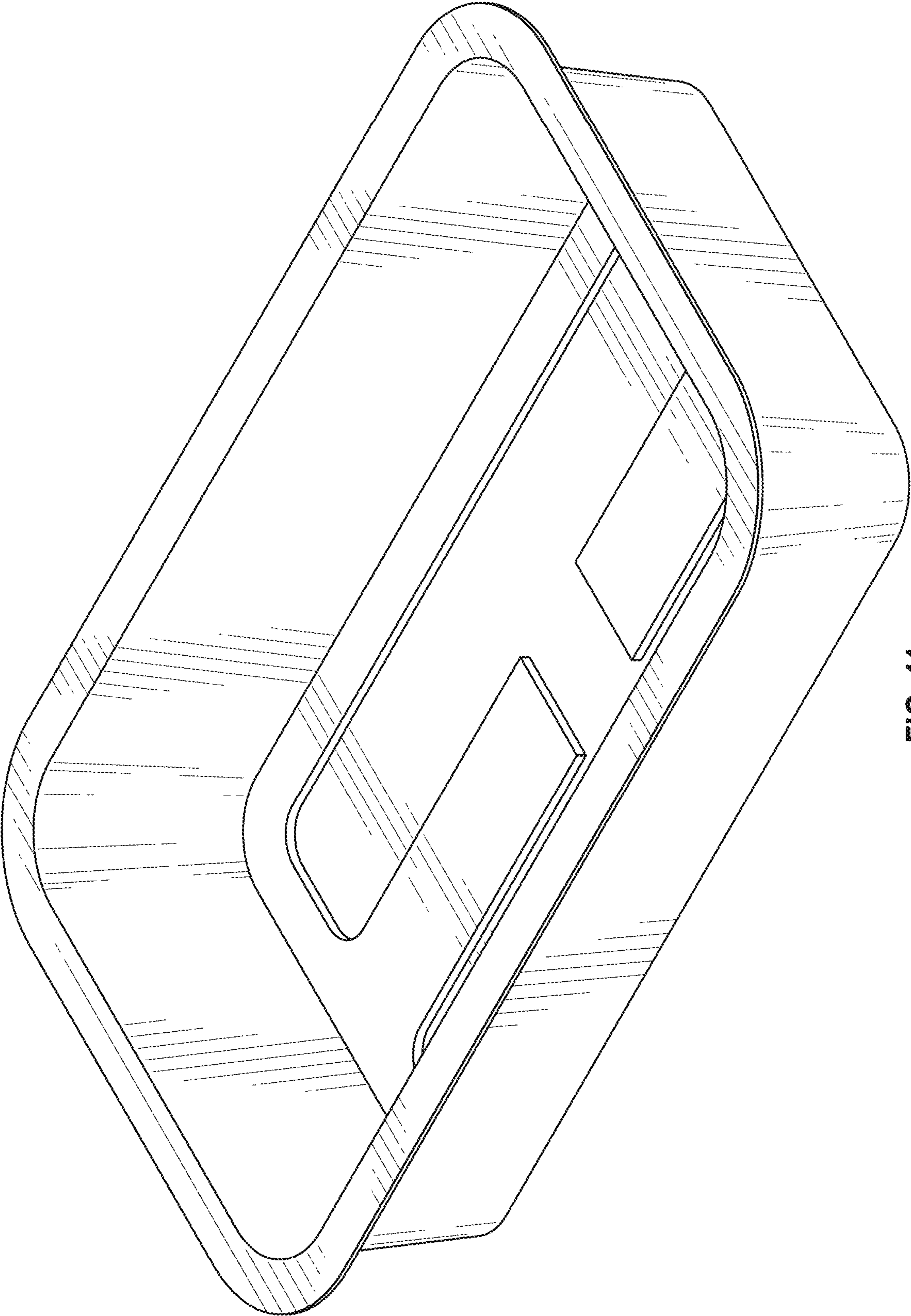


FIG. 11

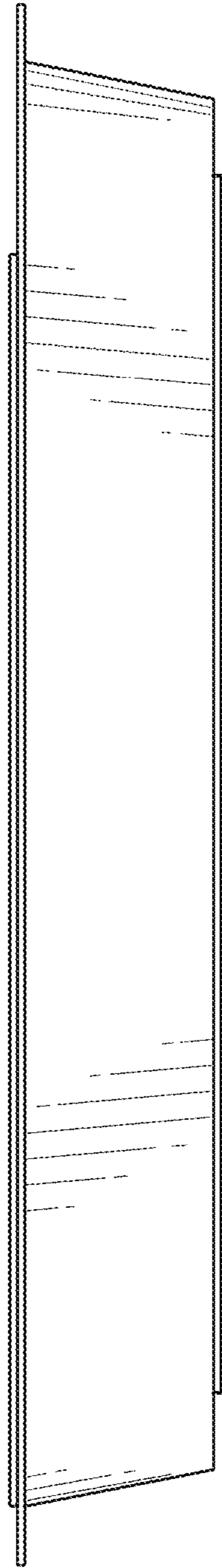


FIG. 12

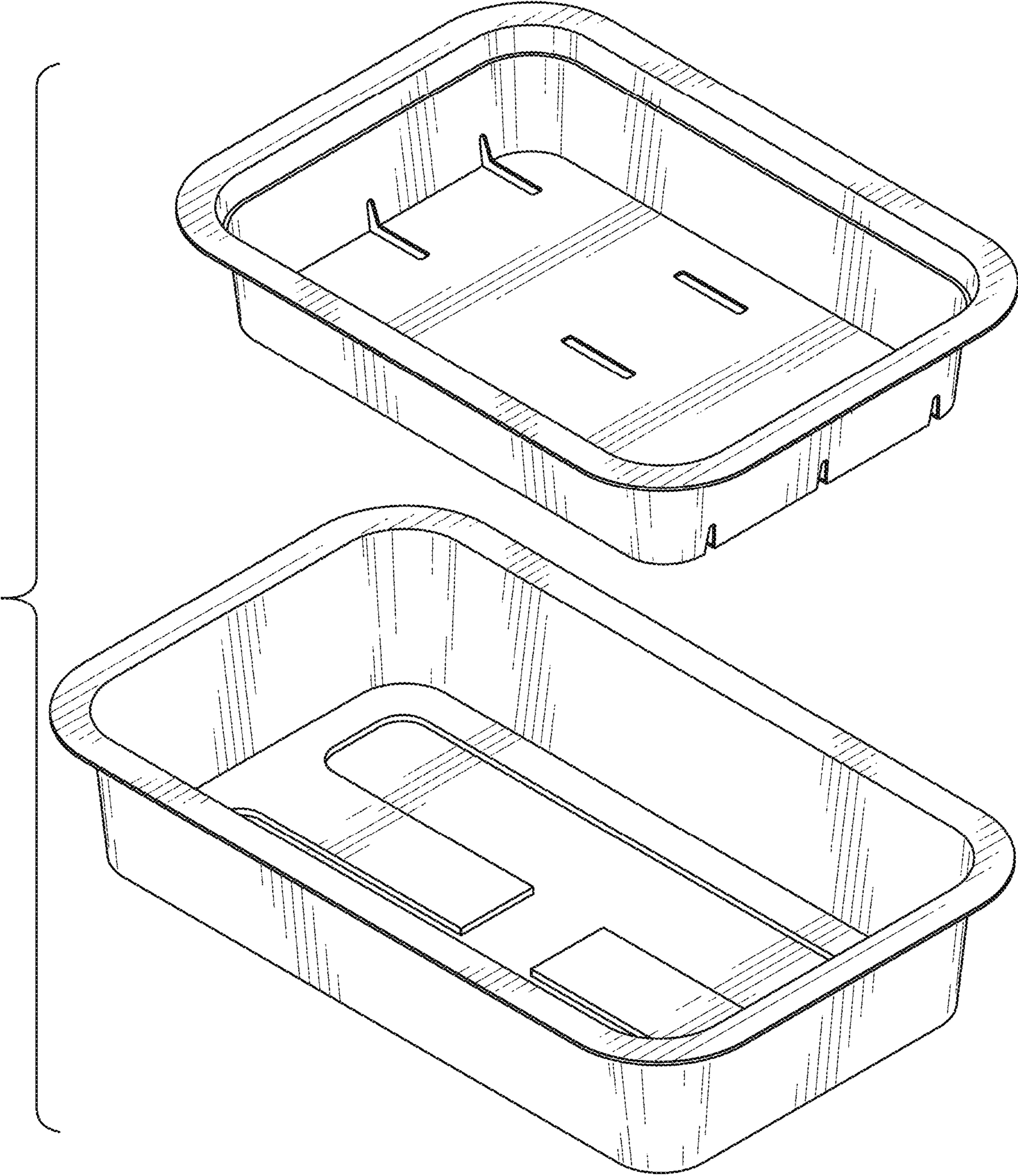


FIG. 13