



US00D959323S

(12) **United States Design Patent** (10) **Patent No.:** **US D959,323 S**
Mitchell et al. (45) **Date of Patent:** **** Aug. 2, 2022**

(54) **STONE ROLLER PENDANT** 2,708,763 A * 5/1955 Jacoby B05C 17/025
492/17
(71) Applicants: **Jared Mitchell**, Dana Point, CA (US); 2,866,995 A * 1/1959 Evensen B05C 17/0207
492/29
Alana Mitchell, Dana Point, CA (US); 3,386,124 A * 6/1968 Feine B05C 17/0217
15/230.11
Malachi Mitchell, Dana Point, CA (US) 3,877,823 A * 4/1975 Leland B05C 17/025
401/197

(72) Inventors: **Jared Mitchell**, Dana Point, CA (US);
Alana Mitchell, Dana Point, CA (US);
Malachi Mitchell, Dana Point, CA (US)

(Continued)

(**) Term: **15 Years**

FOREIGN PATENT DOCUMENTS

GB 6093831 * 7/2020

(21) Appl. No.: **29/721,869**

OTHER PUBLICATIONS

(22) Filed: **Jan. 23, 2020**

Inspirational Story—10 Year Old Boy with Autism Invents Genius New Tool, available Mar. 16, 2020, video available online, site visited Feb. 7, 2022. Available online, URL: <https://www.youtube.com/watch?v=-SJ6FKfo1ns> (Year: 2020).*

(51) **LOC (13) Cl.** **11-01**

(52) **U.S. Cl.**

USPC **D11/79**; D28/7

(58) **Field of Classification Search**

USPC D11/7, 8, 14, 16, 30, 34, 40, 43, 44, 48,
D11/54, 56, 79–81, 96, 99, 103, 204, 211,
D11/219, 232, 238; D3/207–212;
D4/122; D28/7, 13, 37; D24/200, 214,
D24/215

CPC ... A44C 25/001; A44C 25/002; A44C 25/004;
A44C 25/005; A44C 25/007; A44C
25/008; A61H 15/0092; A61H 2205/022;
A61H 2205/023; A61H 2205/024; A61H
2205/025

See application file for complete search history.

Primary Examiner — Tracey J Bell

Assistant Examiner — Sarah J Ault

(74) *Attorney, Agent, or Firm* — Stetina Brunda Garred & Brucker

(57)

CLAIM

The ornamental design for a stone roller pendant, as shown and described.

DESCRIPTION

FIG. 1 is a top view of the stone roller pendant of the present invention showing our new design;

FIG. 2 is a front elevational view thereof;

FIG. 3 is a right-side elevational view thereof, the left-side elevational view being a mirror image of the right-side elevational view;

FIG. 4 is top plan view thereof; and,

FIG. 5 is a bottom view thereof.

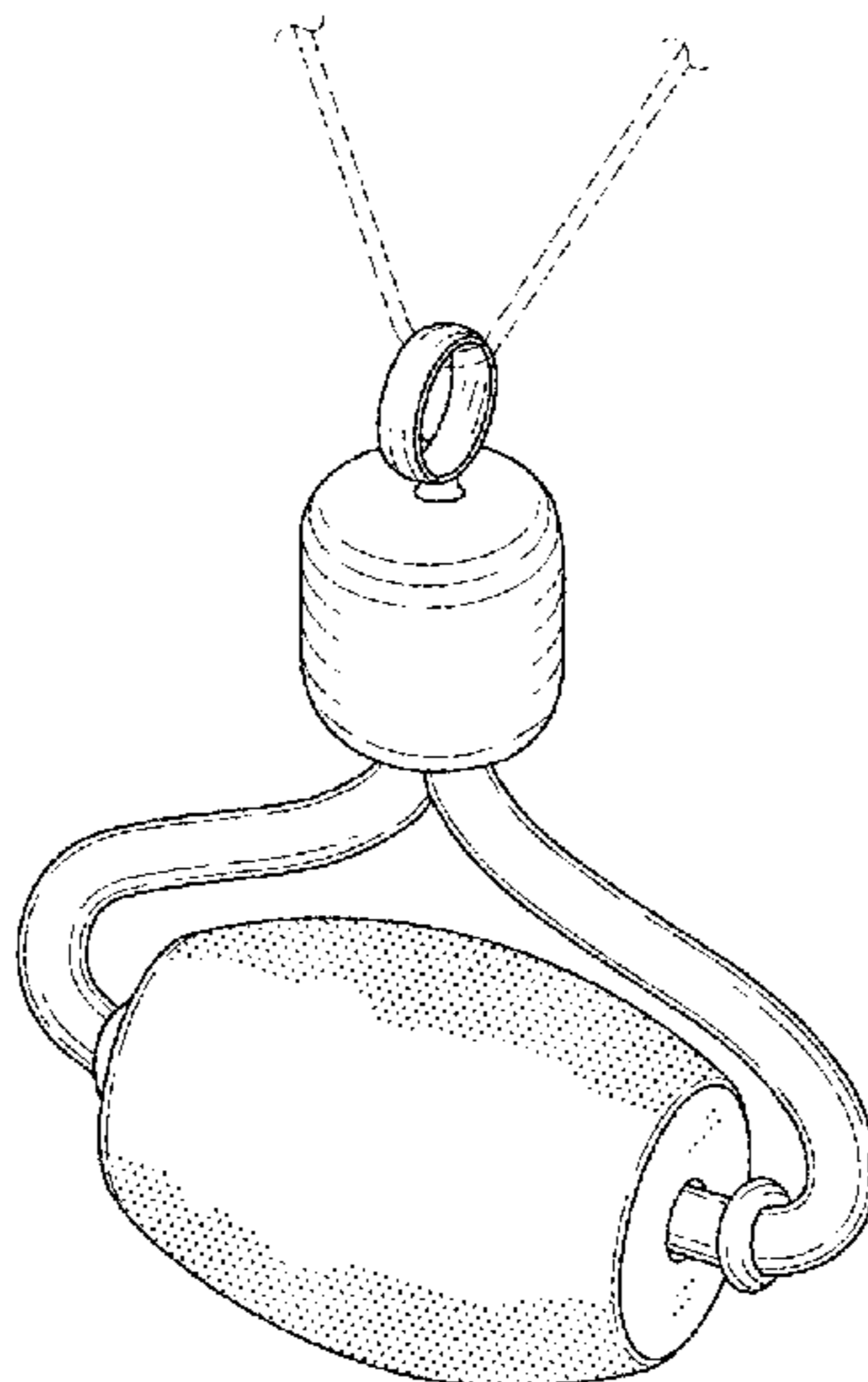
The broken lines depict environmental subject matter and form no part of the claimed design.

(56) **References Cited**

U.S. PATENT DOCUMENTS

D59,612 S * 11/1921 Tennefass D11/81
1,501,342 A * 7/1924 Hoard A61H 15/0092
601/123
1,519,631 A * 12/1924 Sawtelle A61H 15/0092
601/119
D121,609 S * 7/1940 Dopyera D9/633
2,213,356 A * 9/1940 Dunlap A61H 15/0092
601/119

1 Claim, 2 Drawing Sheets



(56)

References Cited

U.S. PATENT DOCUMENTS

D385,060 S * 10/1997 Burrell D28/7
D396,906 S * 8/1998 Medici D4/122
D415,569 S * 10/1999 Wyrwa D24/214
D418,631 S * 1/2000 Clouse D28/7
7,435,029 B1 * 10/2008 Marini A01K 13/003
401/188 R
D638,222 S * 5/2011 Molinet D4/122
D676,246 S * 2/2013 Gold D4/122
D677,469 S * 3/2013 Seehoff D4/122
D895,823 S * 9/2020 Khubani D24/211
D905,262 S * 12/2020 Khubani D24/211
D934,492 S * 10/2021 Kennedy Zdanow D28/4
2005/0207821 A1 * 9/2005 Bergey B65D 81/3261
401/133
2018/0228256 A1 * 8/2018 Dekwiatkowski ... A44C 15/004

* cited by examiner

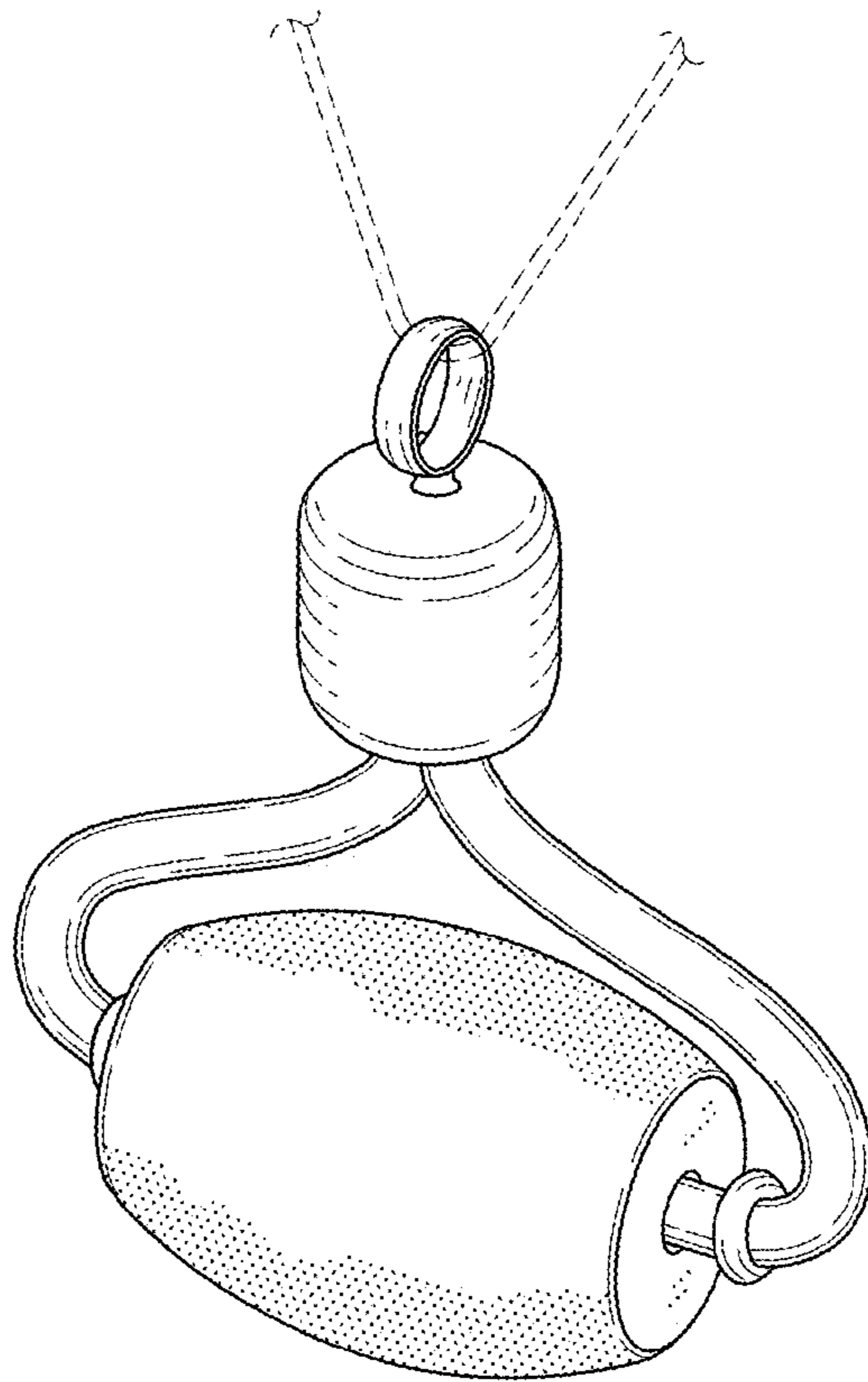


FIG. 1

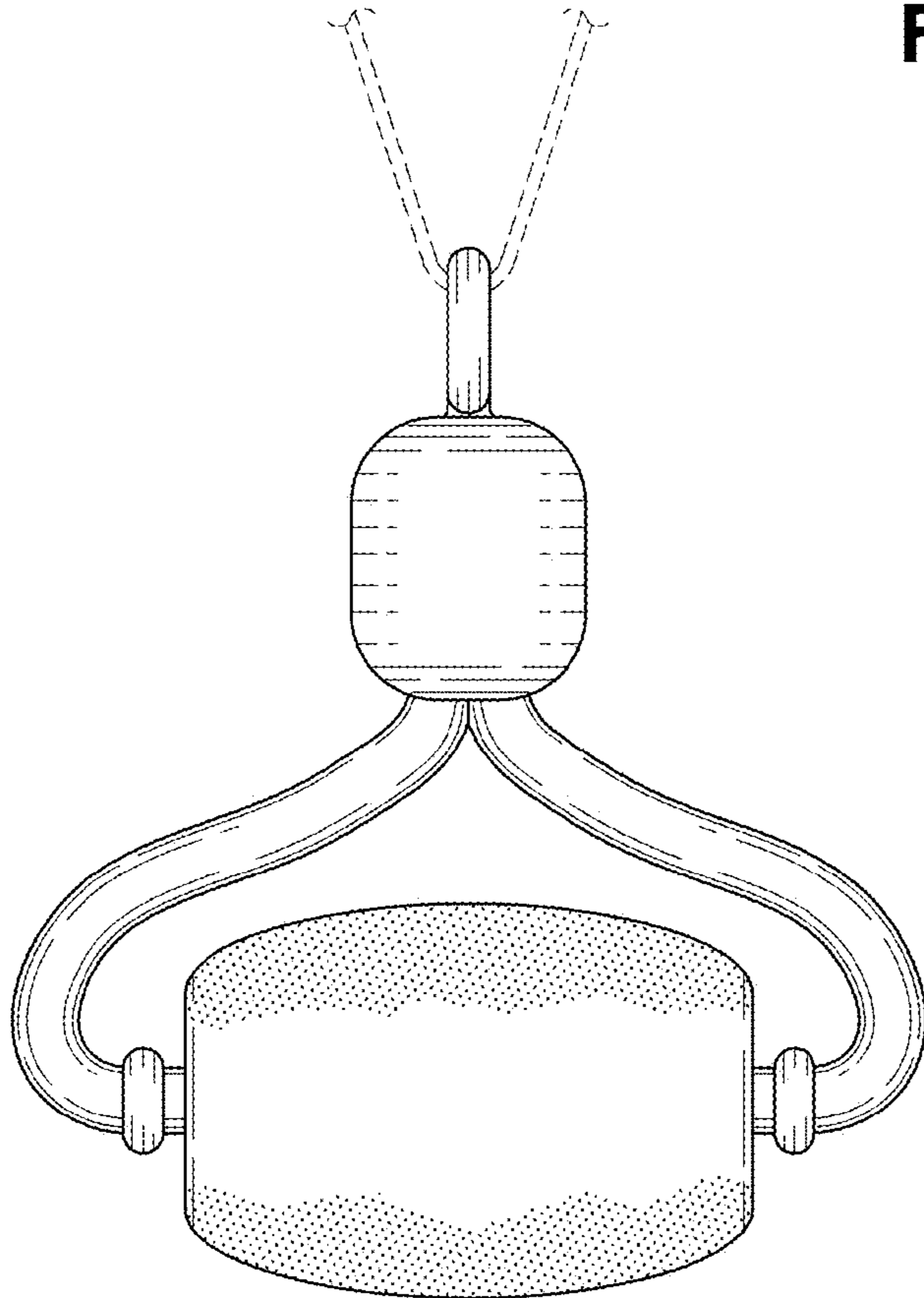


FIG. 2

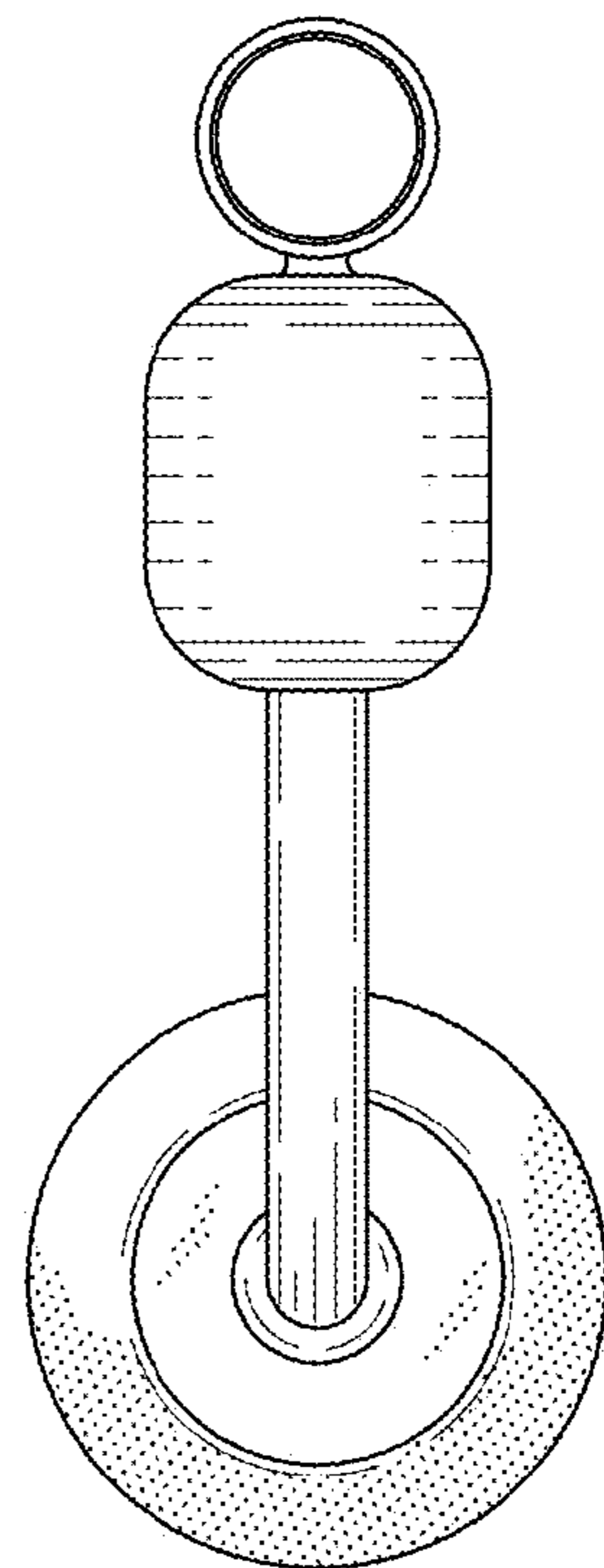


FIG. 3

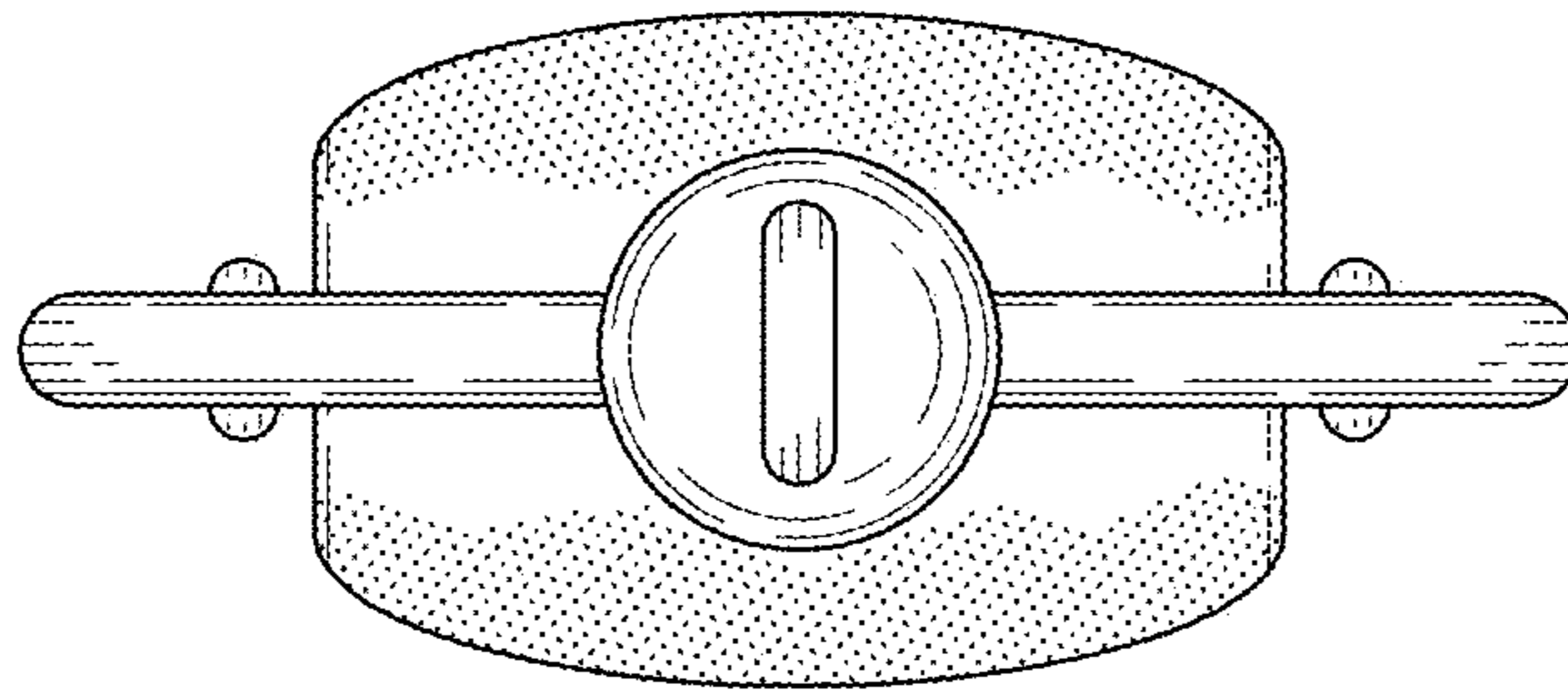


FIG. 4

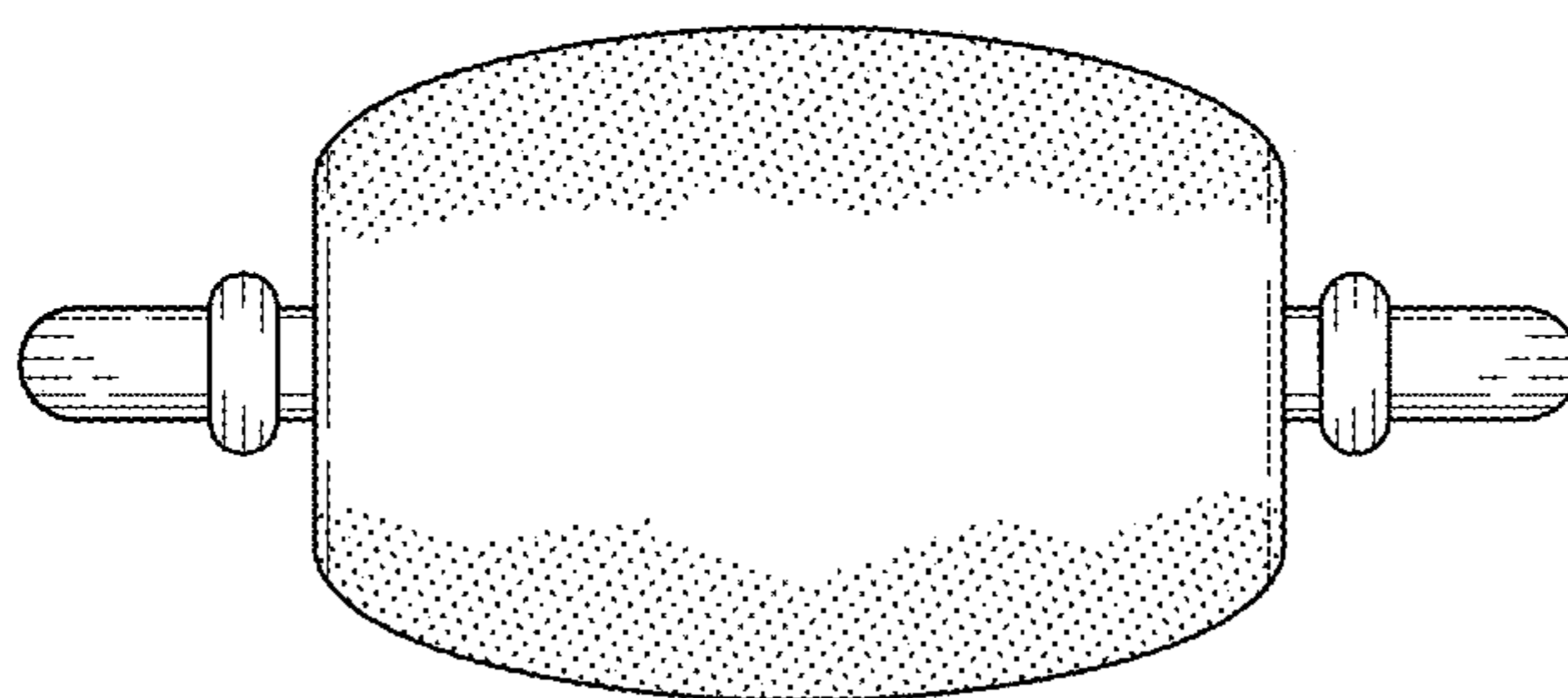


FIG. 5