



US00D959322S

(12) **United States Design Patent**
Abdourahim

(10) **Patent No.:** **US D959,322 S**

(45) **Date of Patent:** **** Aug. 2, 2022**

(54) **EARRING**

(71) Applicant: **Harry Winston SA**, Plan-les-Ouates
(CH)

(72) Inventor: **Delphine Abdourahim**, New York, NY
(US)

(73) Assignee: **Harry Winston SA**, Plan-les-Ouates
(CH)

(**) Term: **15 Years**

(21) Appl. No.: **29/702,359**

(22) Filed: **Aug. 19, 2019**

(30) **Foreign Application Priority Data**

Feb. 20, 2019 (WO) WIPO80564

(51) **LOC (13) Cl.** **11-01**

(52) **U.S. Cl.**
USPC **D11/42**

(58) **Field of Classification Search**

USPC D11/1, 3, 6, 7, 8, 16, 17, 40, 42, 43, 44,
D11/46, 47, 48, 63, 67, 70, 75, 76, 79,
D11/81, 84, 86, 115; D10/126
CPC A44C 1/00; A44C 5/00; A44C 5/02; A44C
5/10; A44C 5/102; A44C 5/105; A44C
5/18; A44C 7/00; A44C 7/002; A44C
7/003; A44C 7/004; A44C 7/005; A44C
7/006; A44C 7/007; A44C 7/008; A44C
15/0025; A44C 15/005; A44C 15/0055;
A44C 25/00; A44C 25/001; A44C
25/007; A44C 25/008
See application file for complete search history.

(56) **References Cited**

U.S. PATENT DOCUMENTS

1,006,506 A * 10/1911 Spaney A44C 25/00
63/33
2,423,905 A * 7/1947 Schuler, Jr. A44C 7/006
D11/42

D715,679 S * 10/2014 Ochoa D11/80
D747,661 S * 1/2016 Yatsugi-Kang D11/7
D747,662 S * 1/2016 Yatsugi-Kang D11/16
D747,666 S * 1/2016 Yatsugi-Kang D11/43
D747,998 S * 1/2016 Yatsugi-Kang D11/7
D747,999 S * 1/2016 Yatsugi-Kang D11/7
D760,618 S * 7/2016 Yatsugi-Kang D11/43
D762,510 S * 8/2016 de Castellane D11/40
D891,974 S * 8/2020 Comolli A44C 25/00
D11/79
D892,670 S * 8/2020 Comolli A44C 25/00
D11/79

OTHER PUBLICATIONS

Bazaar, Nov. 27, 2019, [online], [site visited Dec. 18, 2021].
Retrieved from url:https://www.harpersbazaar.com/fashion/g29642148/
harry-winston-jewelry-holidays/ (Year: 2019).*

(Continued)

Primary Examiner — Tracey J Bell

(74) *Attorney, Agent, or Firm* — Blank Rome LLP

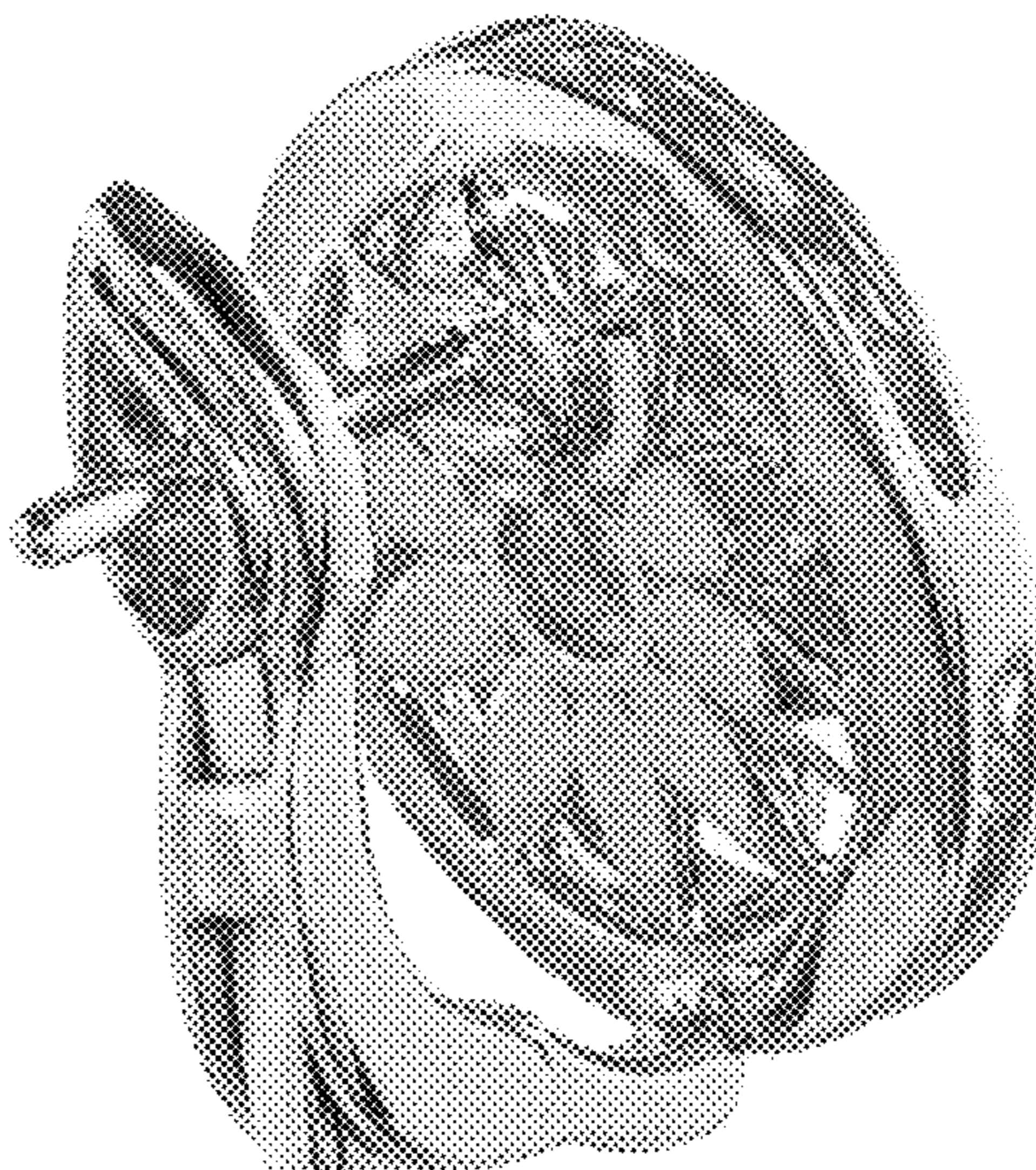
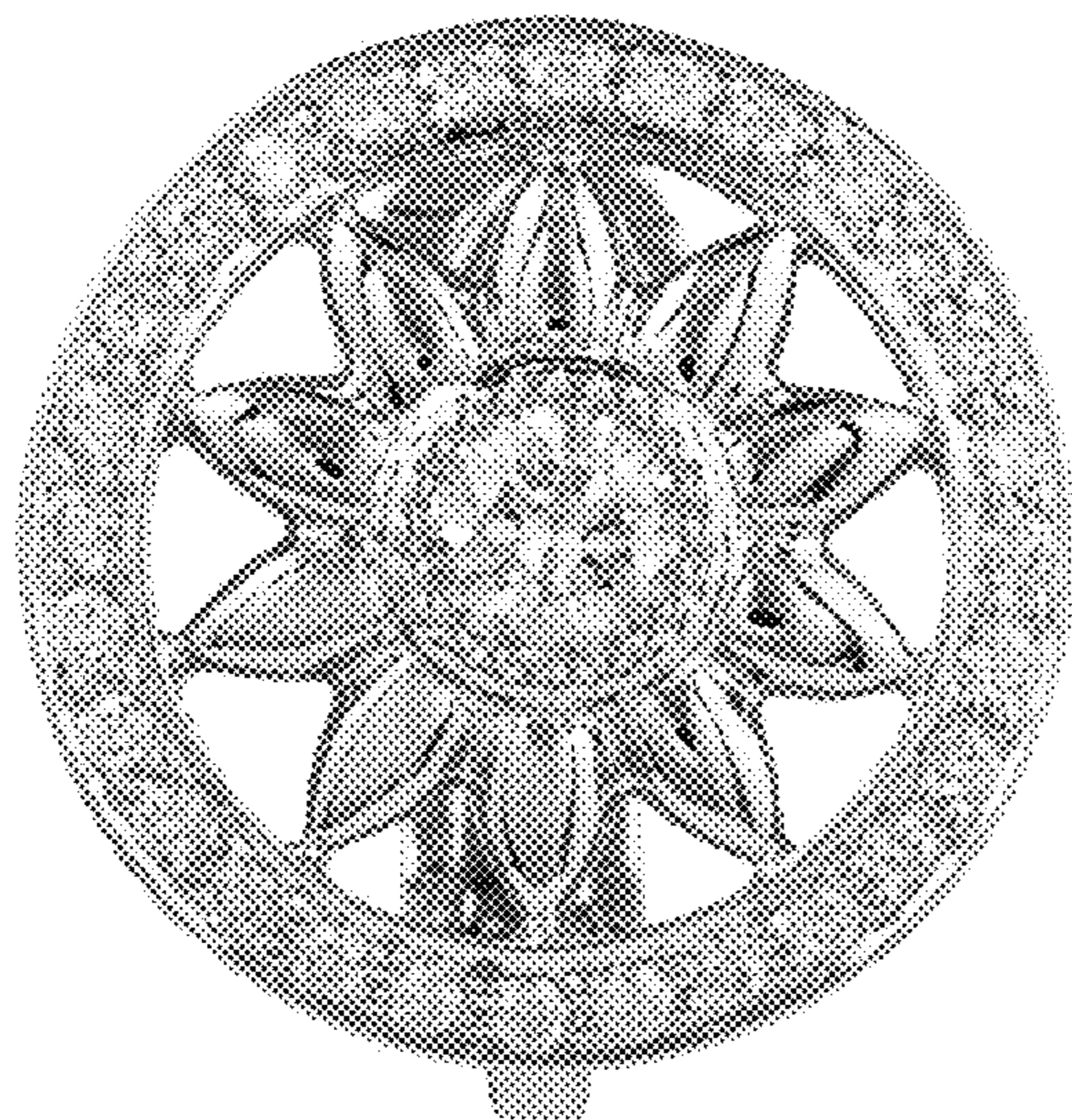
(57) **CLAIM**

The ornamental design for an earring, as shown and described.

DESCRIPTION

FIG. 1 is a front view of an earring of the present design;
FIG. 2 is a rear view thereof;
FIG. 3 is a left side view thereof;
FIG. 4 is a right side view thereof;
FIG. 5 is a top view thereof;
FIG. 6 is a bottom view thereof;
FIG. 7 is a front perspective view thereof; and,
FIG. 8 is a rear perspective view thereof.

1 Claim, 8 Drawing Sheets



(56)

References Cited

OTHER PUBLICATIONS

Winston Gates Platinum Diamond Earrings, no date available, [online], [site visited Dec. 18, 2021]. Retrieved from url:<https://www.harrywinston.com/en/products/winston-gates/winston-gates-platinum-diamond-earrings-eadprd1mwg> (Year: 2021).*

* cited by examiner

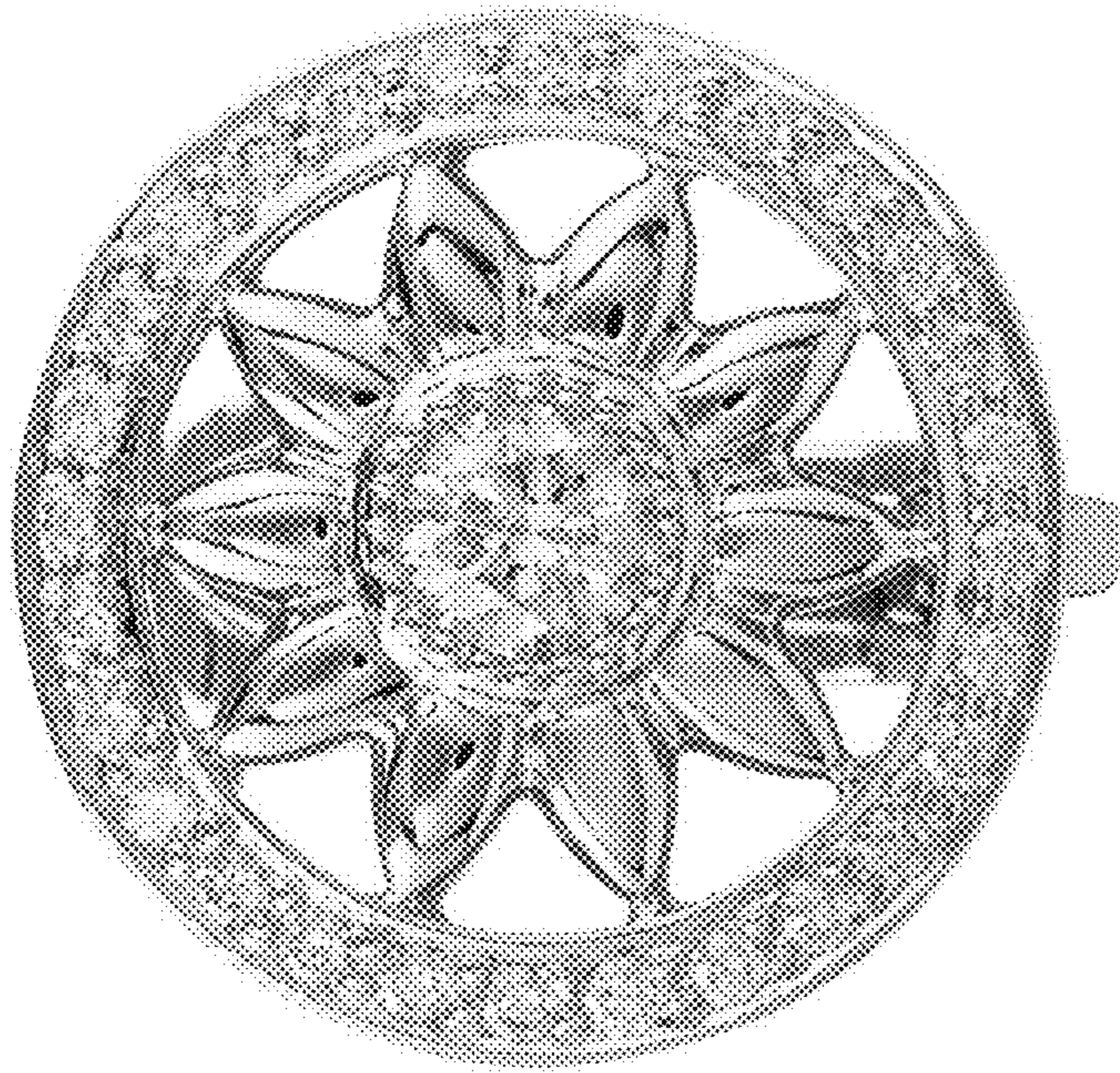


FIG. 1

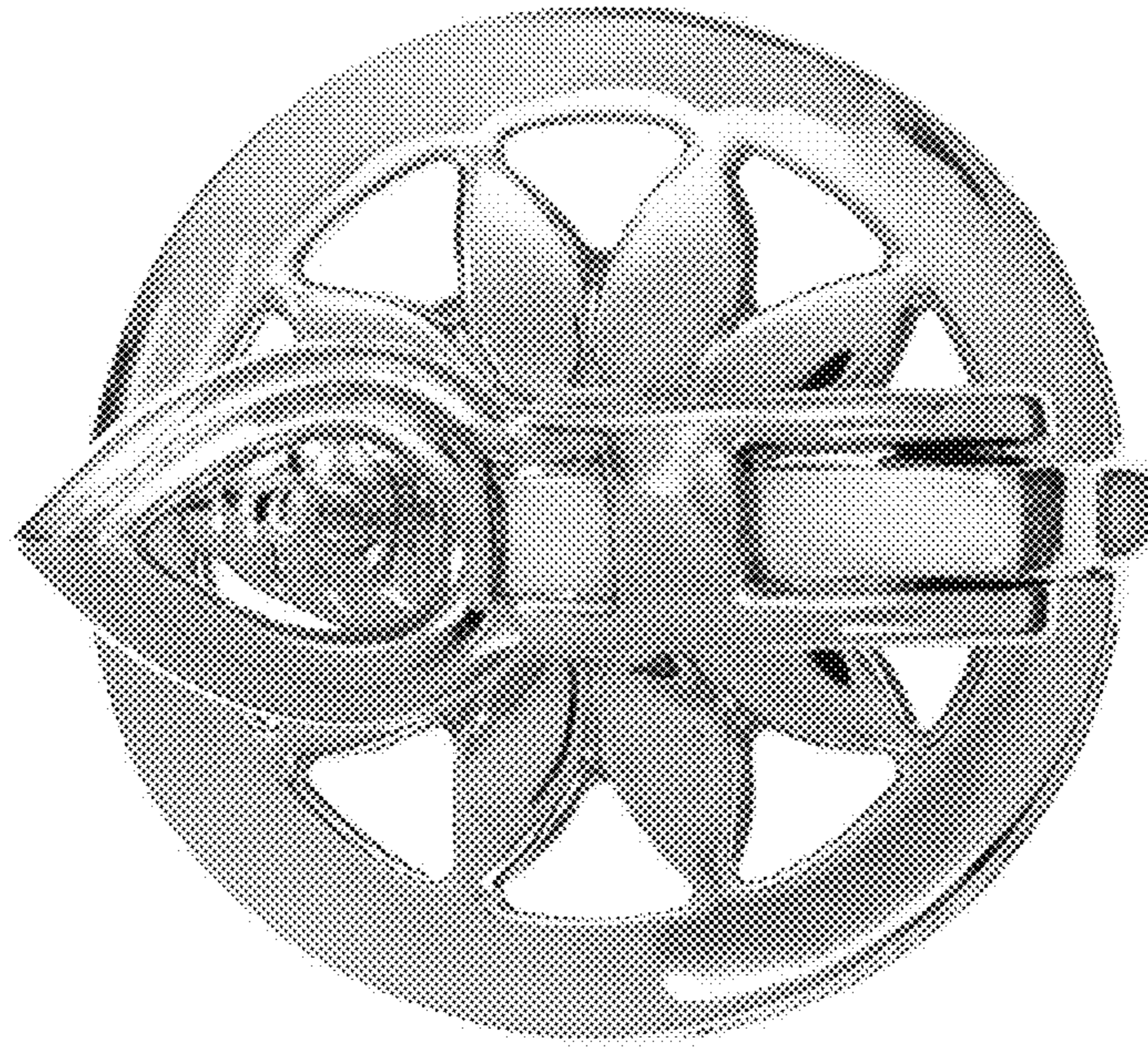


FIG. 2

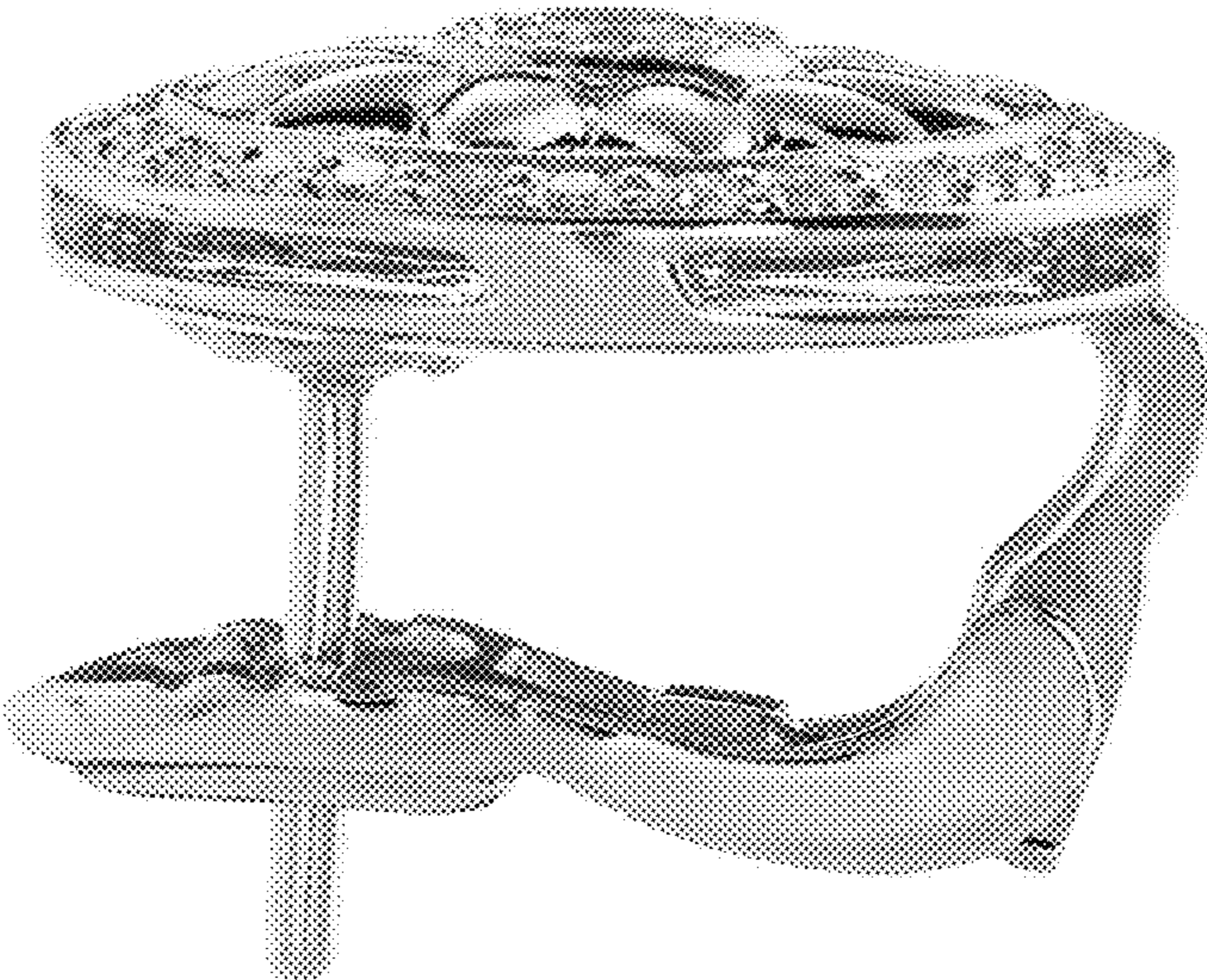


FIG. 3

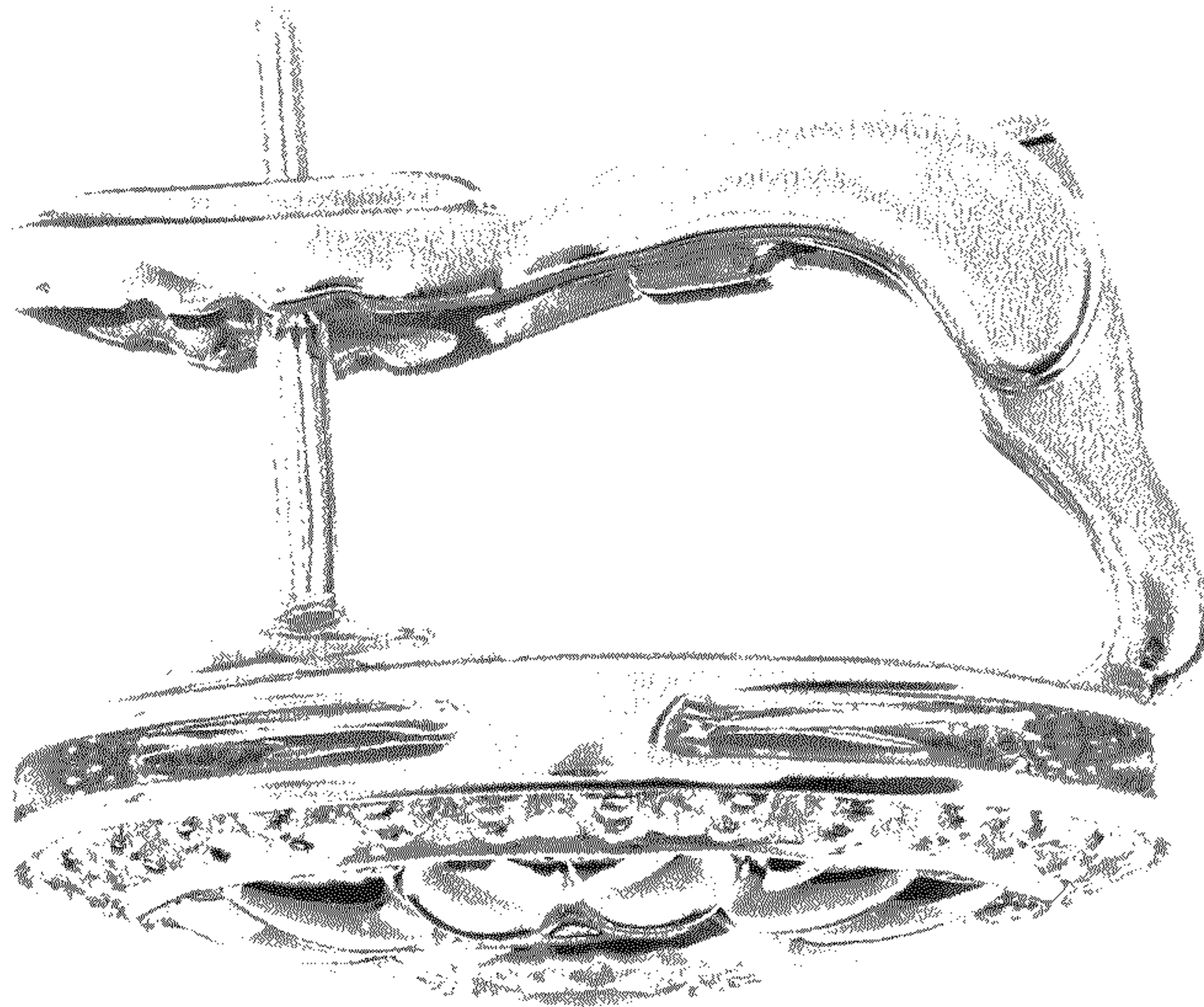


FIG. 4

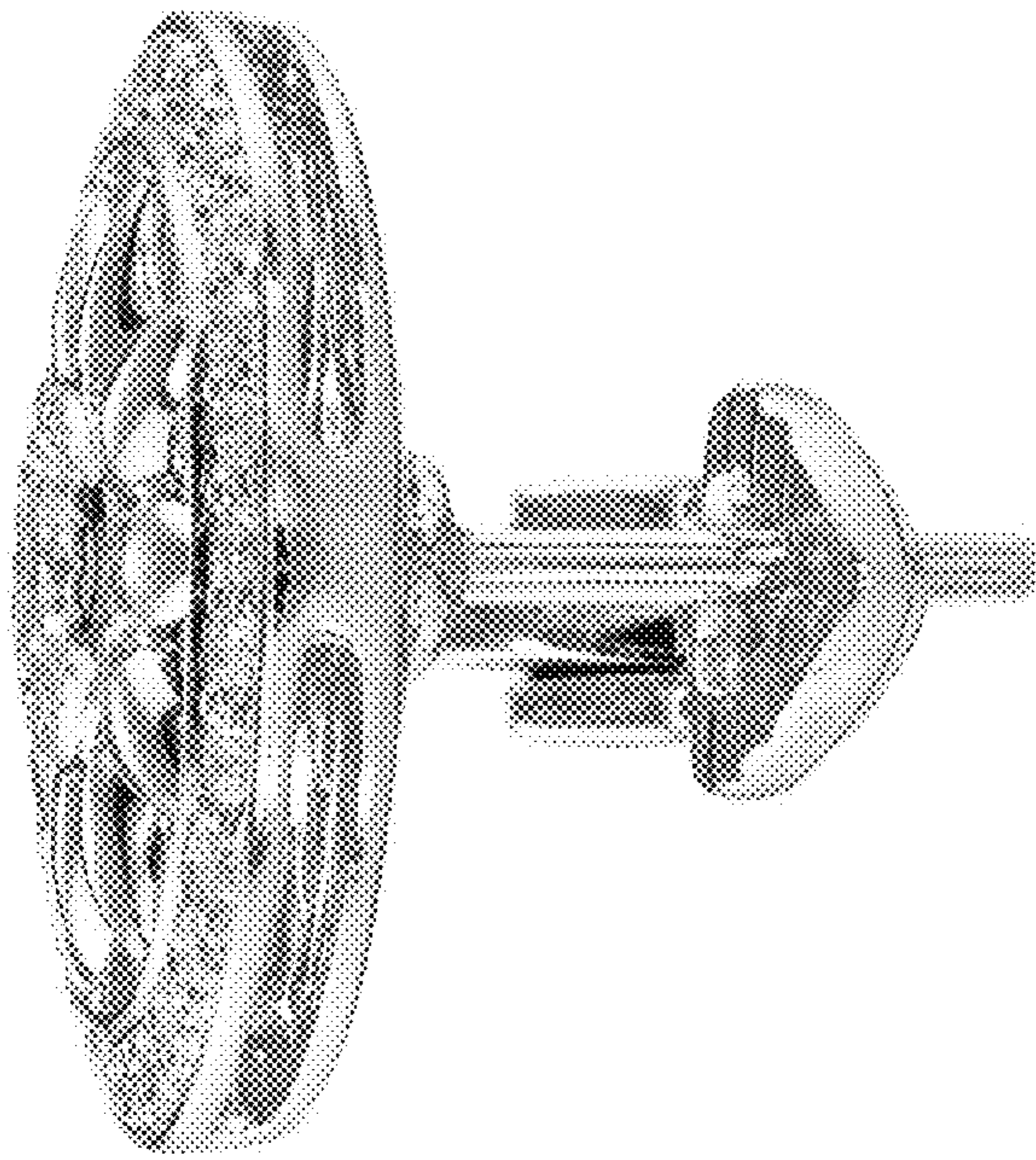


FIG. 5



FIG. 6



FIG. 7



FIG. 8