



US00D959320S

(12) **United States Design Patent**  
**Reaux**

(10) **Patent No.:** **US D959,320 S**

(45) **Date of Patent:** **\*\* Aug. 2, 2022**

(54) **FINGER RING FOR AN ELECTRONIC VAPORIZER**

(71) Applicant: **Brian K. Reaux**, Red Oak, TX (US)

(72) Inventor: **Brian K. Reaux**, Red Oak, TX (US)

(73) Assignee: **Brian K. Reaux**, Red Oak, TX (US)

(\*\*) Term: **15 Years**

(21) Appl. No.: **29/651,969**

(22) Filed: **Jul. 20, 2019**

(51) **LOC (13) Cl.** ..... **11-01**

(52) **U.S. Cl.**  
USPC ..... **D11/26; D27/183**

(58) **Field of Classification Search**  
USPC ..... D11/1, 2, 3, 79, 81, 61, 26-39, 91, 92;  
D27/183, 103, 172, 194  
CPC ..... A44C 1/00; A44C 9/00; A44C 9/0007;  
A44C 9/0015; A44C 9/0023; A44C  
9/003; A44C 9/0038; A44C 9/0046; A44C  
9/0053; A44C 9/0061; A44C 9/0069;  
A44C 9/0076; A44C 9/0092; A44C 9/02;  
A44C 5/00; A44C 5/0007; A44C 5/0015;  
A44C 5/0023; A44C 5/003; A44C  
5/0038; A44C 5/0046; A44C 5/0053;  
A44C 5/0061; A44C 17/02; A44C  
17/0208; A44C 17/0216; A44C 17/0225;  
A44C 17/0233; A44C 17/0241; A44C  
17/025; A44C 17/0258; A44C 17/0266;  
A44C 17/0275; A44C 17/0283; A44C  
17/0291

See application file for complete search history.

(56) **References Cited**

**U.S. PATENT DOCUMENTS**

1,269,491 A \* 6/1918 Murray ..... A24F 13/22  
63/15  
1,309,707 A \* 7/1919 Tinnin ..... A24F 13/16  
131/234

1,434,590 A \* 11/1922 Chafetz ..... A44C 9/0061  
D19/83  
D69,386 S \* 2/1926 Foley ..... D11/26  
2,021,415 A \* 11/1935 Gorman ..... A24F 13/22  
131/257  
2,109,609 A \* 3/1938 Aull ..... A44C 9/0061  
224/217  
D153,465 S \* 4/1949 Snellgrove ..... D27/170  
2,506,666 A \* 5/1950 Graham ..... A24F 13/18  
D19/135  
D163,424 S \* 5/1951 Simpson ..... D11/27  
D228,758 S \* 10/1973 Petrosky ..... 463/47.4  
D342,039 S \* 12/1993 Ambar ..... D11/26

(Continued)

**OTHER PUBLICATIONS**

[Online] "Anti Loss Ring . . ." <https://www.amazon.com/Anti-Loss-Ring-JUUL-Vaporizer-Compatible/dp/B07W3PN5J7?th=1>. Retrieved Feb. 10, 2022. First available May 7, 2019.\*

(Continued)

*Primary Examiner* — Melanie Pellegrini

(57) **CLAIM**

The ornamental design for a finger ring for an electronic vaporizer, made of any material for a ring and custom design, as shown and described.

**DESCRIPTION**

FIG. 1 is a rear elevational perspective view of the finger ring for an electronic vaporizer, shown in use of my new design.

FIG. 2 is a top plan view thereof;

FIG. 3 is a bottom view thereof;

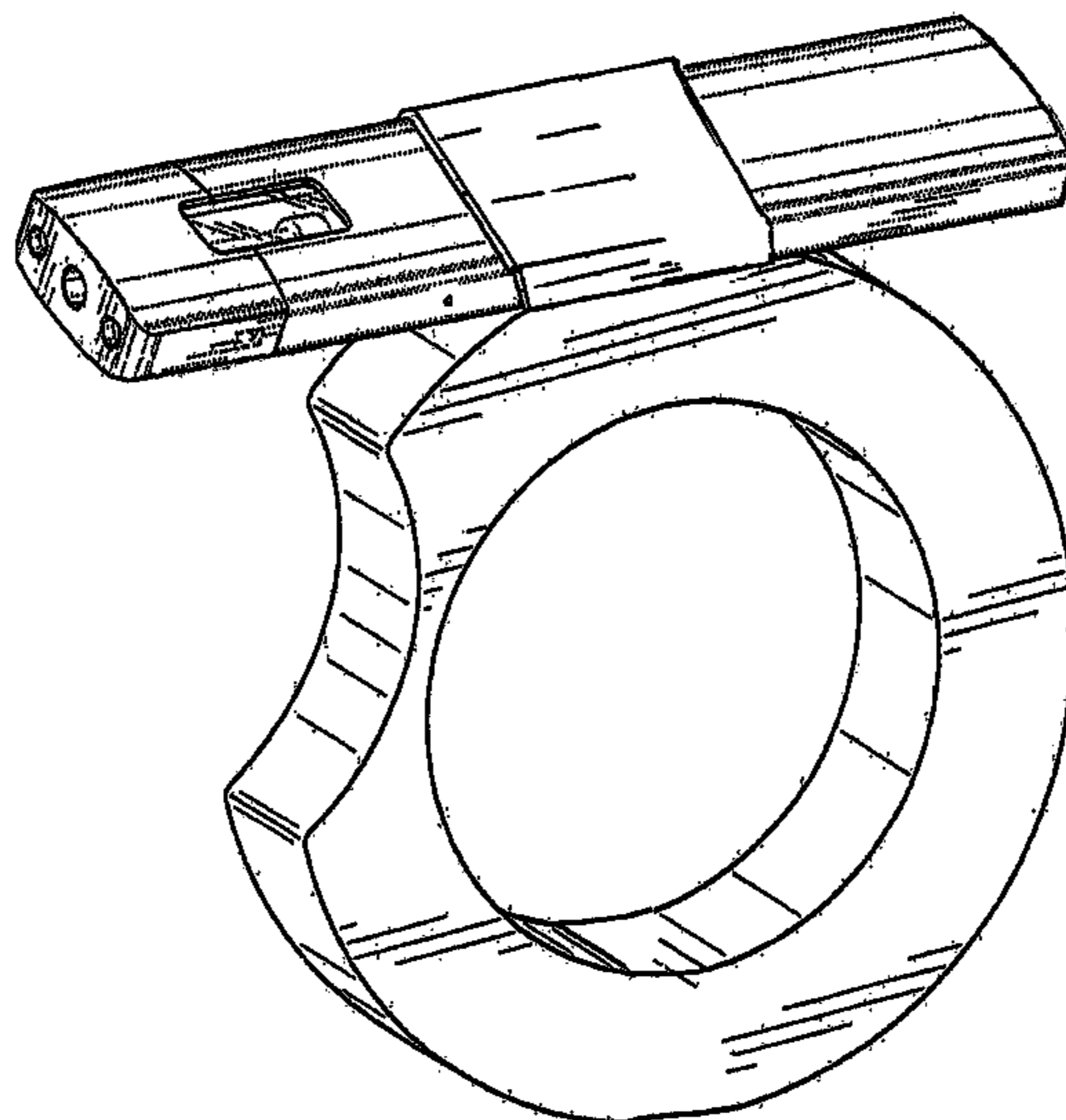
FIG. 4 is a right side view thereof, and the left side being a mirror image thereof; shown in use.

FIG. 5 is an exploded view thereof; and,

FIG. 6 is another rear elevational perspective view, without the electronic vaporizer.

The broking lines form no part of the claimed design.

**1 Claim, 6 Drawing Sheets**



(56)

**References Cited**

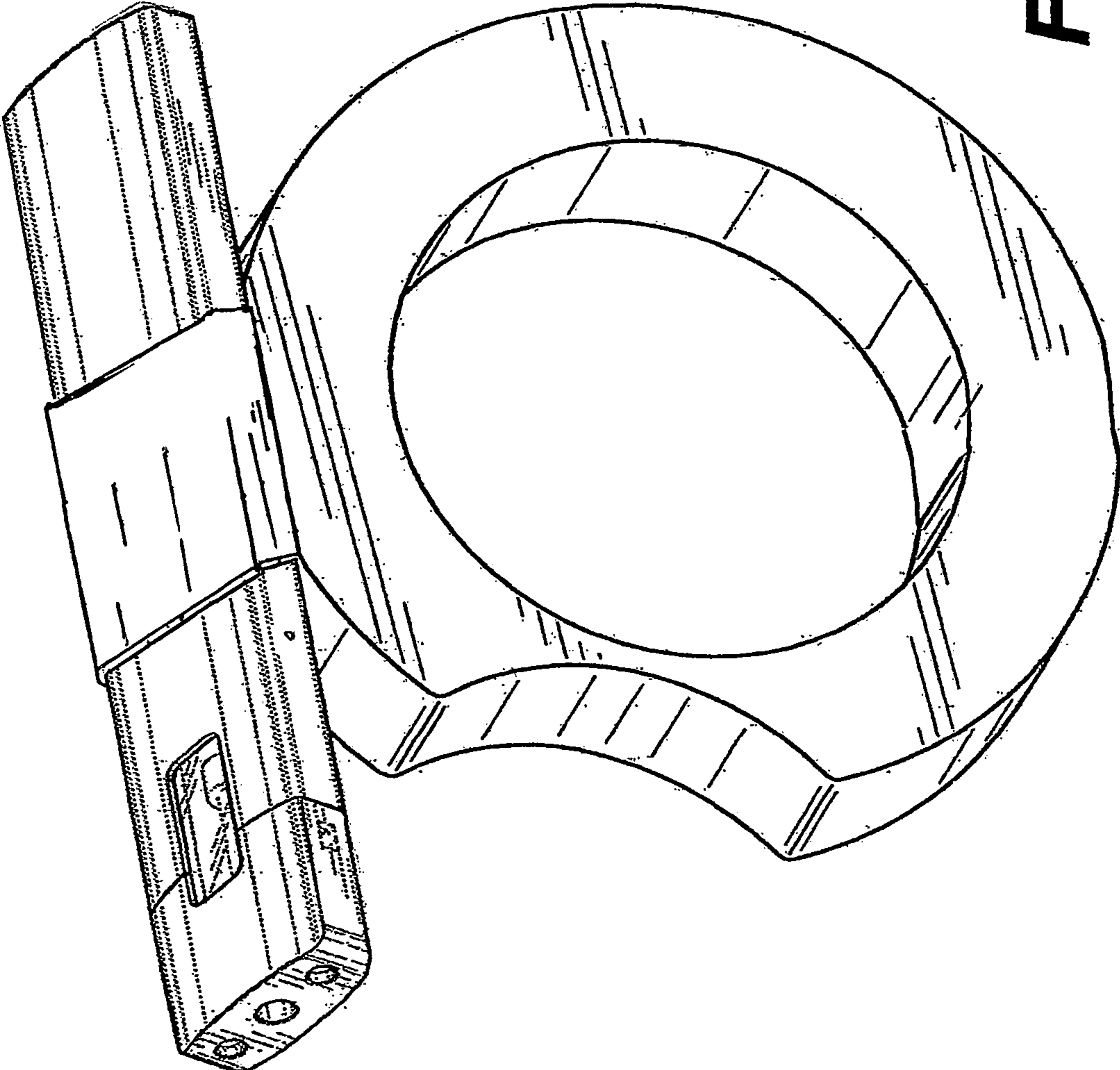
U.S. PATENT DOCUMENTS

D383,996	S *	9/1997	Bulgari .....	D11/26
D564,666	S *	3/2008	Klearman .....	D11/26
D636,288	S *	4/2011	Gaspard .....	D11/30
D794,246	S *	8/2017	Baxter .....	D27/183
D807,223	S *	1/2018	Noguchi .....	D11/79
D809,195	S *	1/2018	Baxter .....	D27/183
D882,448	S *	4/2020	Gurung .....	D11/26
2006/0266374	A1 *	11/2006	Nyborg .....	A24F 13/22
				131/258
2009/0044821	A1 *	2/2009	Hatala .....	G01C 9/28
				132/214
2019/0014870	A1 *	1/2019	Williams .....	A44C 9/0069
2019/0286189	A1 *	9/2019	Griffin .....	G06F 1/163
2020/0069511	A1 *	3/2020	Lopez .....	G06F 3/016
2021/0030139	A1 *	2/2021	Morales .....	A45D 34/06

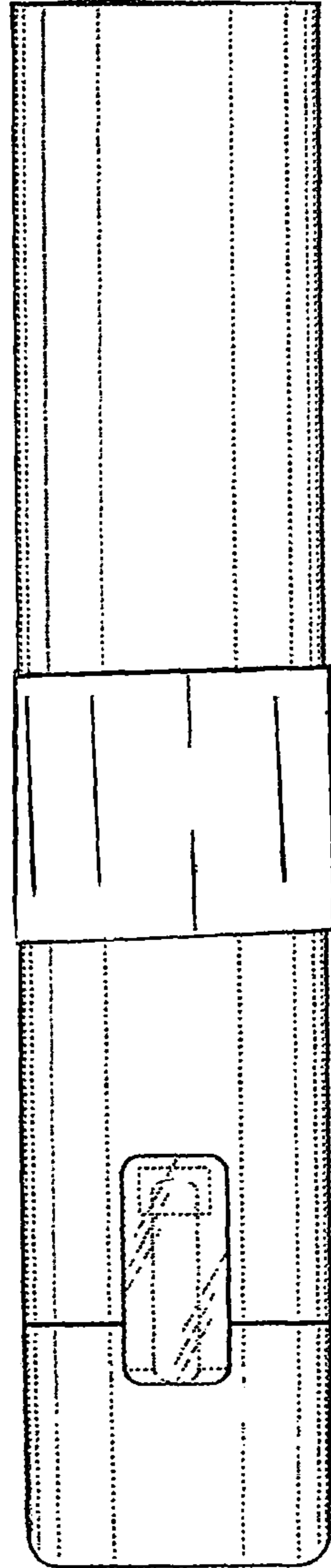
OTHER PUBLICATIONS

[Online] "Smoke Ring" [https://kingpalm.com/wp-content/uploads/2019/09/black\\_1\\_smoke\\_ring\\_1\\_1.png](https://kingpalm.com/wp-content/uploads/2019/09/black_1_smoke_ring_1_1.png). Retrieved Feb. 10, 2022.\*

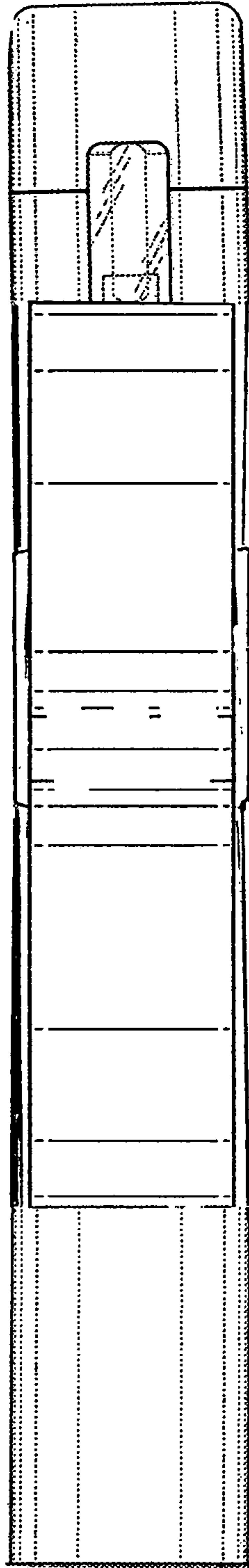
\* cited by examiner



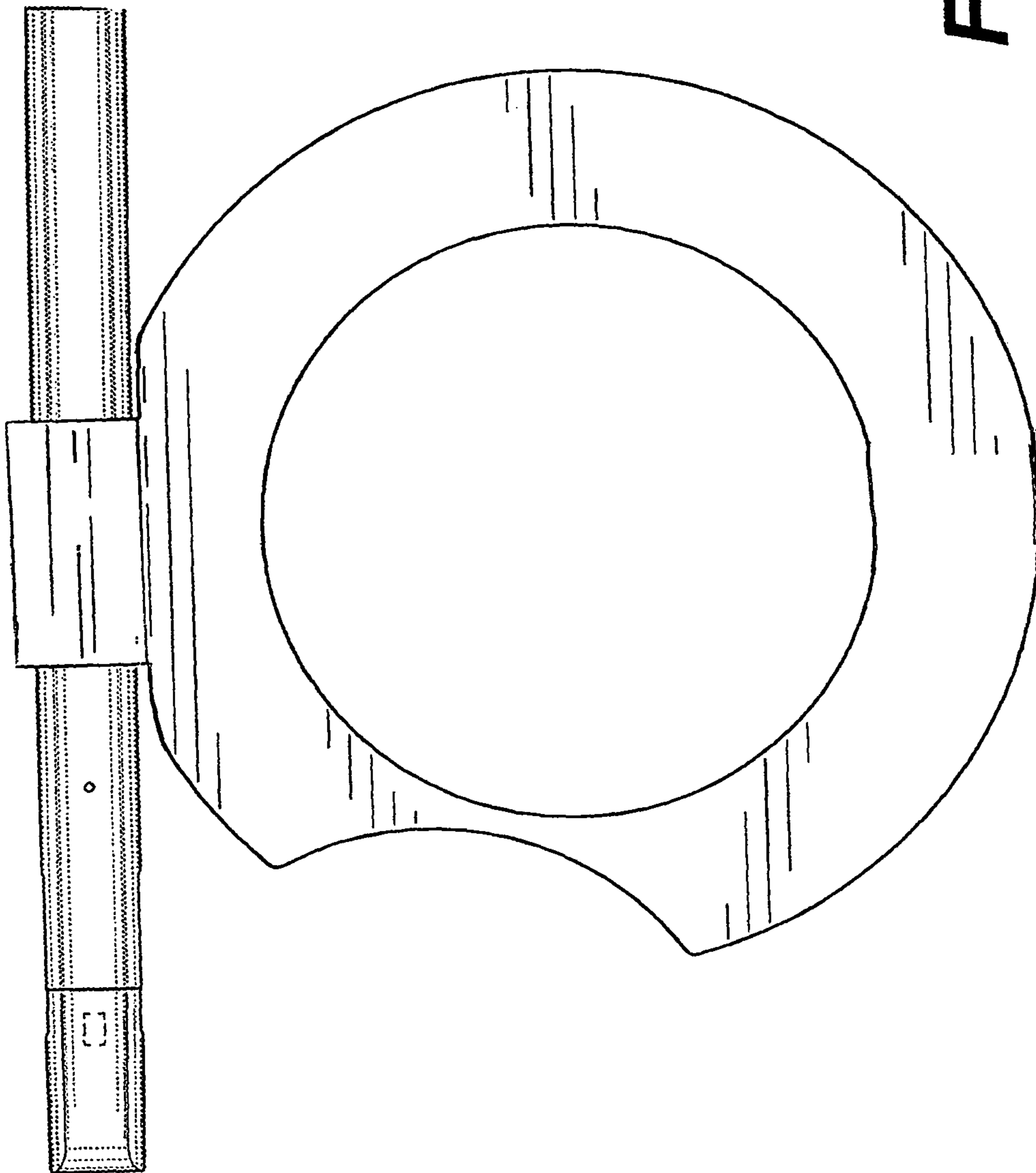
**FIG. 1**



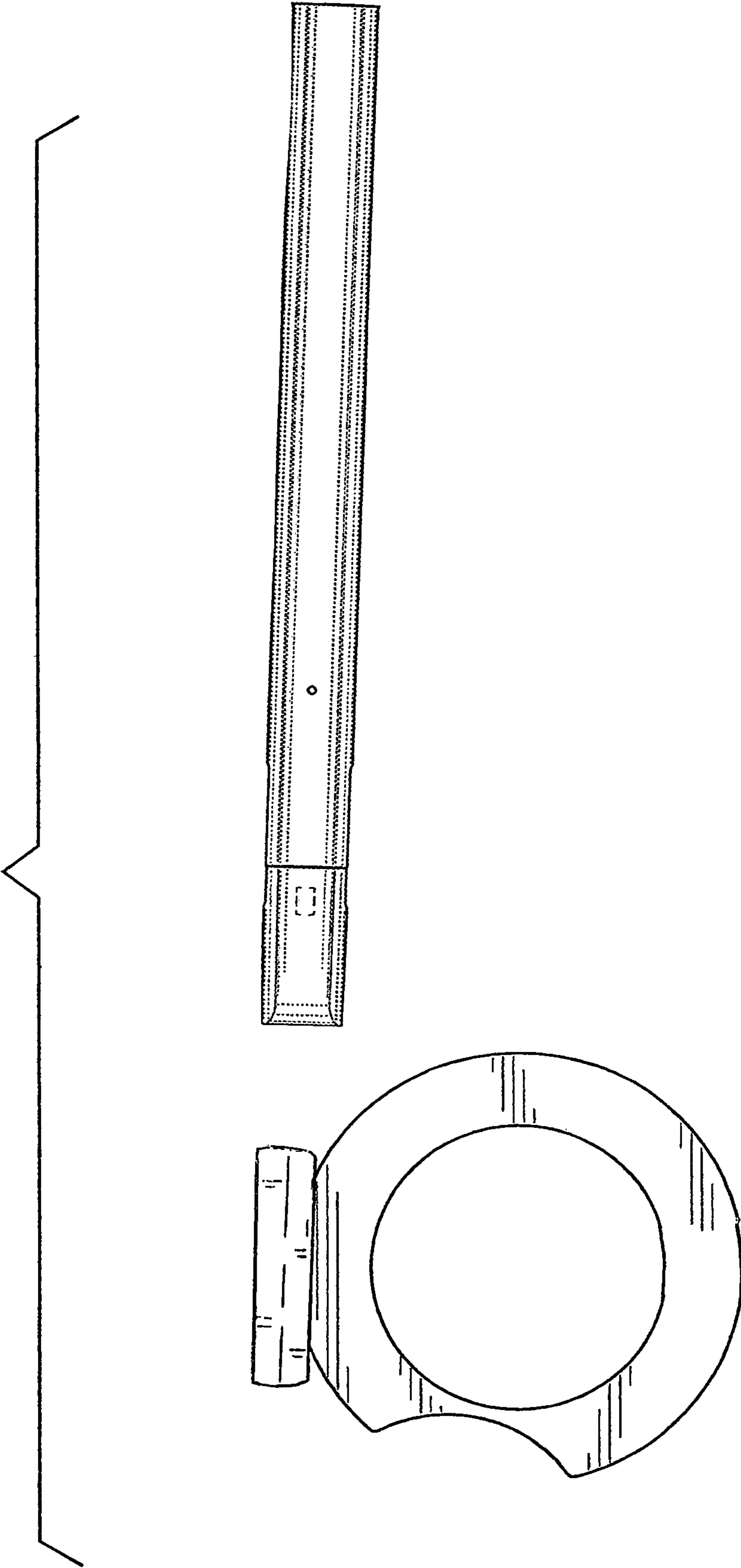
**FIG. 2**



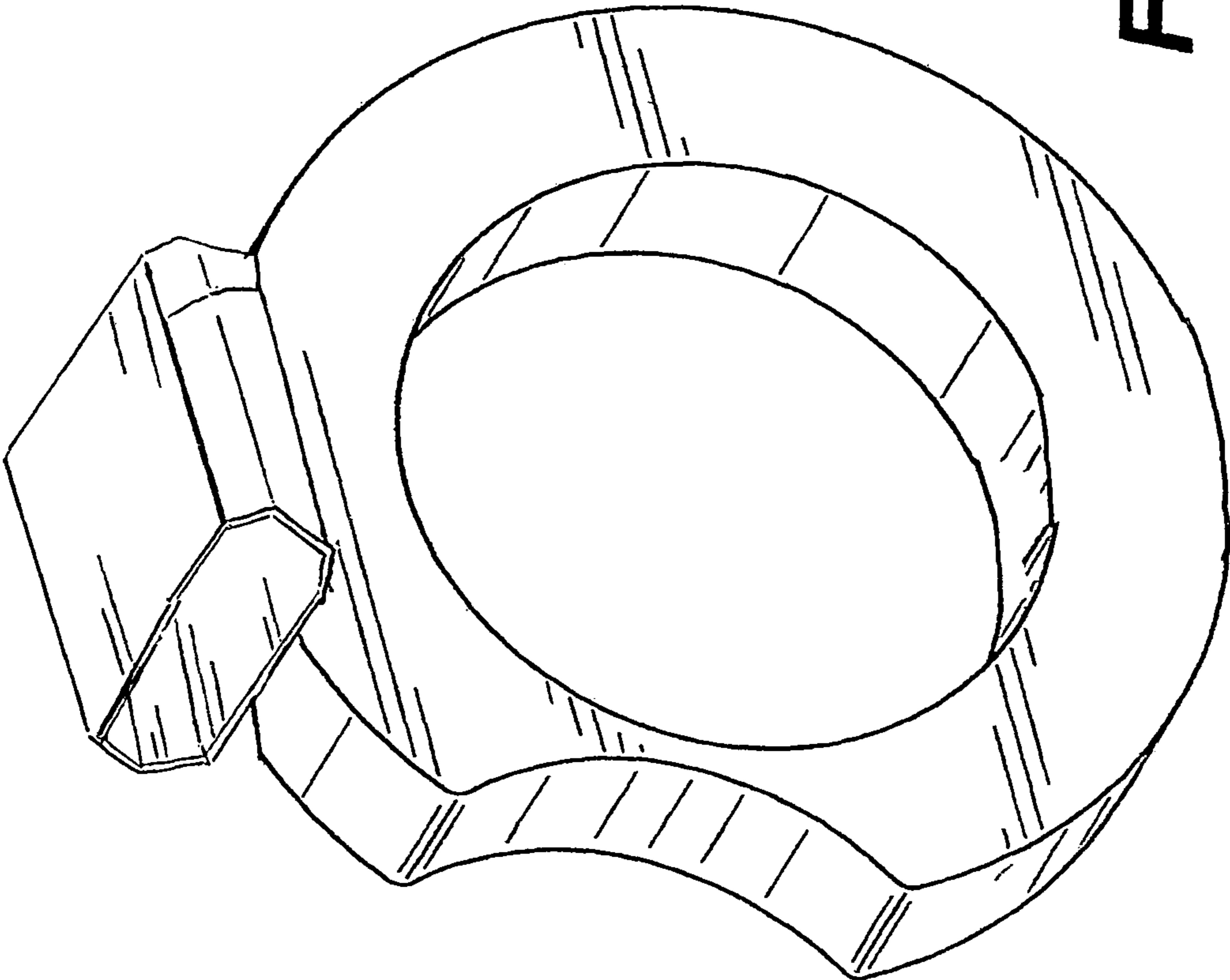
**FIG. 3**



**FIG. 4**



**FIG. 5**



**FIG. 6**