



US00D959317S

(12) **United States Design Patent** (10) **Patent No.:** **US D959,317 S**
Cai (45) **Date of Patent:** **** Aug. 2, 2022**

(54) **WATCH STRAP**
(71) Applicant: **Hongyu Cai**, Nanyang (CN)
(72) Inventor: **Hongyu Cai**, Nanyang (CN)
(**) Term: **15 Years**
(21) Appl. No.: **29/797,541**
(22) Filed: **Jul. 1, 2021**
(51) **LOC (13) Cl.** **11-01**
(52) **U.S. Cl.**
USPC **D11/3**
(58) **Field of Classification Search**
USPC D10/30-32, 38-39; D11/3, 12-13, 87,
D11/94; D14/344
CPC A44C 5/00; A44C 5/0007; A44C 5/0053;
A44C 5/0061; A44C 5/0076; A44C 5/16;
A44C 5/147; A44C 5/185
See application file for complete search history.

D901,317 S * 11/2020 Nothacker D10/70
D907,525 S * 1/2021 Devaney D11/94
D944,109 S * 2/2022 Li D11/3

FOREIGN PATENT DOCUMENTS

CN 2019306020149.3 * 11/2019

OTHER PUBLICATIONS

OHOTLOVE Metal Band | amazon.com, date first available Jul. 31, 2021 [online]. © 1996-2022, Amazon.com, Inc [retrieved Mar. 11, 2022] from Internet: <<https://www.amazon.com/OHOTLOVE-Compatible-Magnetic-Stainless-Patents/dp/B09BL3QPDL?th=1>> (Year: 2021).*

(Continued)

Primary Examiner — Katherine Glennon

(57) **CLAIM**

The ornamental design for a watch strap, as shown and described.

DESCRIPTION

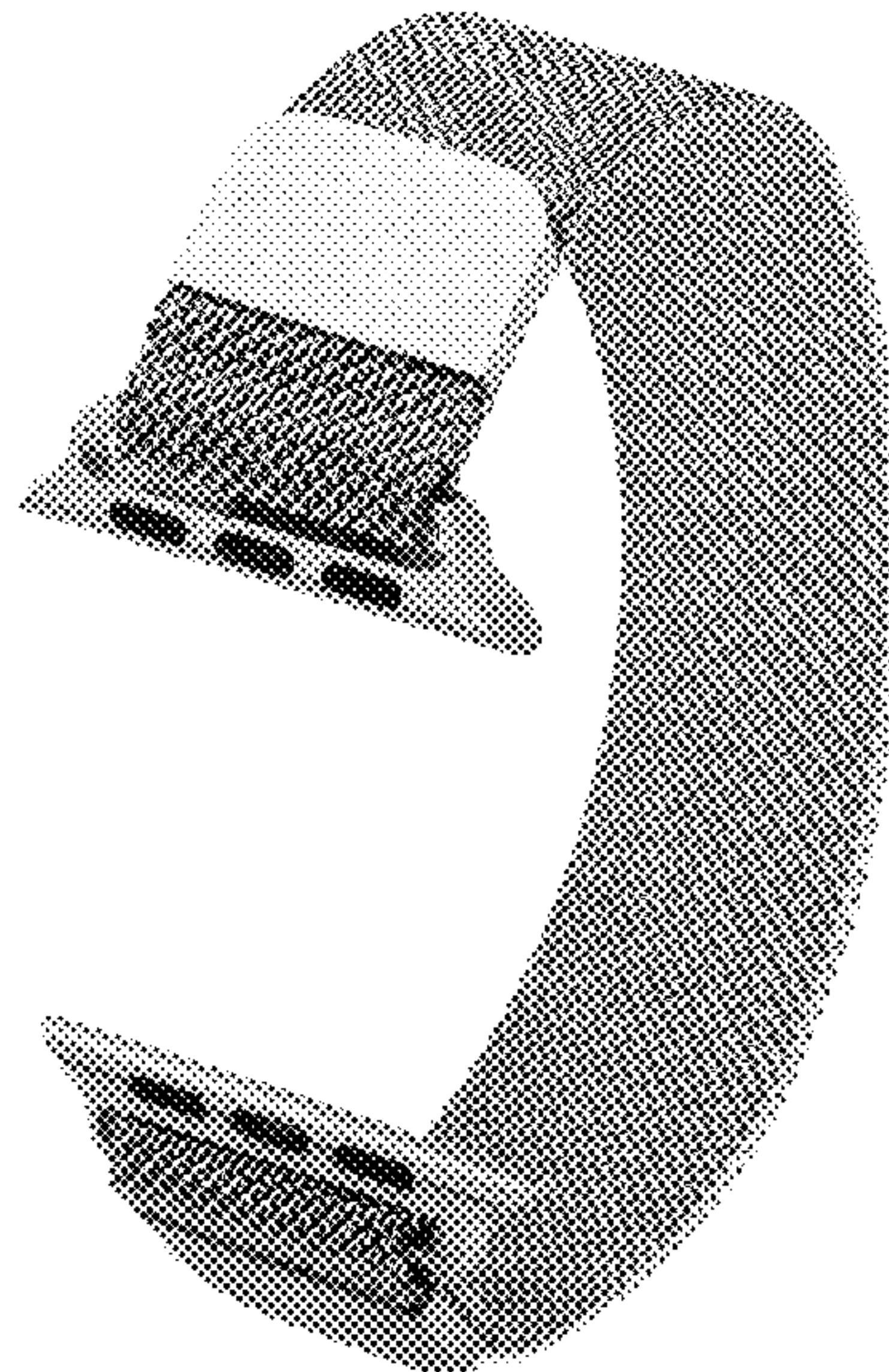
FIG. 1 is a front view of a watch strap showing my new design;
FIG. 2 is a rear view thereof;
FIG. 3 is a right side view thereof;
FIG. 4 is a left side view thereof
FIG. 5 is a bottom view thereof;
FIG. 6 is a top view thereof;
FIG. 7 is a perspective view thereof;
FIG. 8 is another perspective view thereof;
FIG. 9 is a rear view of the watch strap where the watch strap is in a first configuration of use;
FIG. 10 is a front view thereof;
FIG. 11 is a rear view of the watch strap where the watch strap is in a second configuration of use; and,
FIG. 12 is a front view thereof.

(56) **References Cited**

U.S. PATENT DOCUMENTS

2,434,383 A * 1/1948 Benjamin A44C 5/0061
D11/4
2,451,780 A * 10/1948 Siska A44C 5/0061
D11/12
D362,946 S * 10/1995 Polenberg D11/3
D737,158 S * 8/2015 Akana D10/70
D739,780 S * 9/2015 Akana D11/3
D748,010 S * 1/2016 Akana D11/94
D784,831 S * 4/2017 Akana D10/70
D793,271 S 8/2017 Cerrato
D802,467 S 11/2017 Novak
D857,542 S * 8/2019 Sun D11/3
D857,543 S * 8/2019 Sirichai D11/3
D863,096 S * 10/2019 Akana D11/3
D882,445 S * 4/2020 Liao D11/3
D883,837 S * 5/2020 Akana D11/3
D883,838 S * 5/2020 Deng D11/3
D896,677 S * 9/2020 Wang D11/3

1 Claim, 12 Drawing Sheets



(56)

References Cited

OTHER PUBLICATIONS

OHOTLOVE Metal Band Compatible with Apple Watch | a.ubuy.com.kw; date first available Jul. 31, 2021 [online]. © 2022 Ubuy Co. [retrieved Mar. 11, 2022] from Internet: <<https://www.a.ubuy.com.kw/en/product/1N7SULBU6-ohotlove-metal-band-compatible-with-apple-watch-bands-40mm-38mm-44mm-42mm-magnetic-stainless-steel-mesh-loop-metal-band-strap-for-iwatch-series>> (Year: 2021).*

* cited by examiner

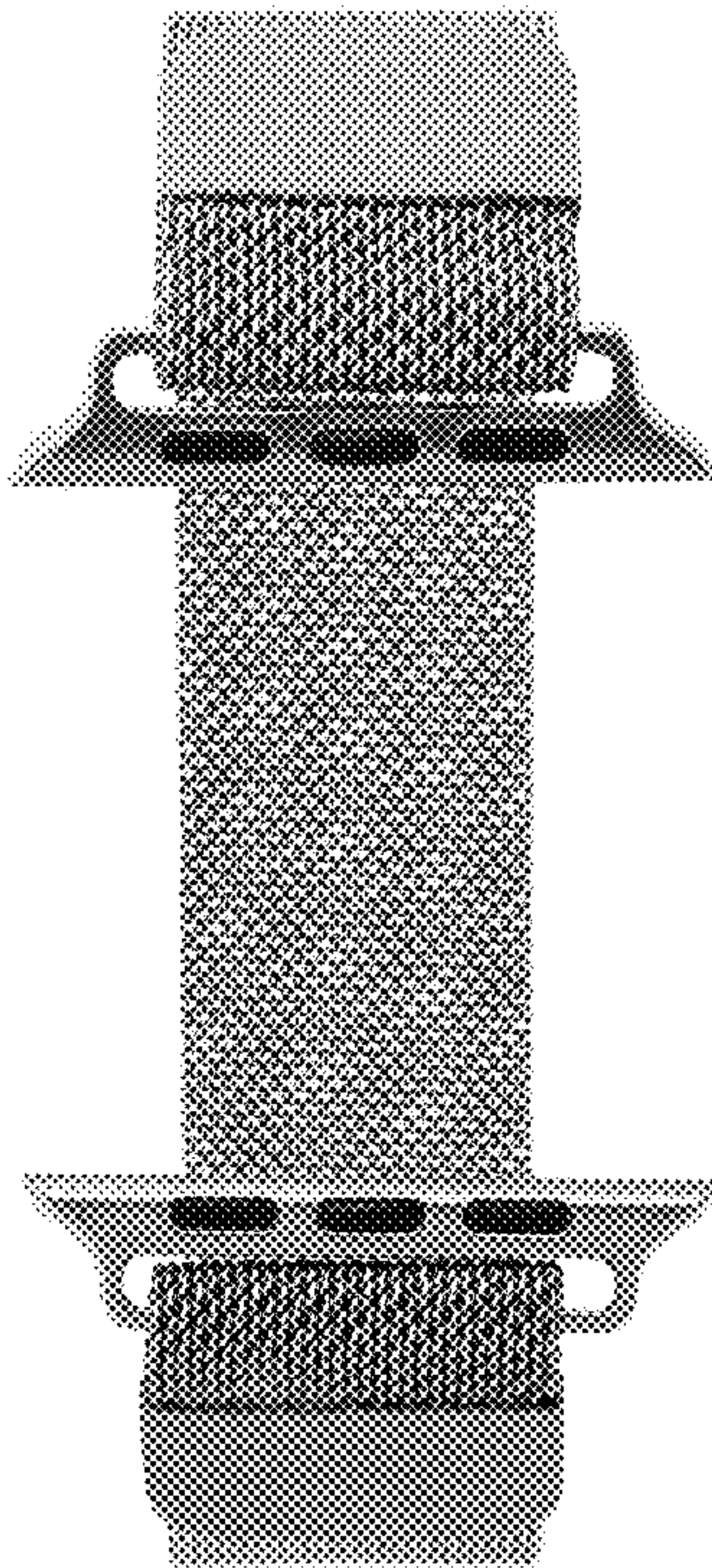


FIG. 1

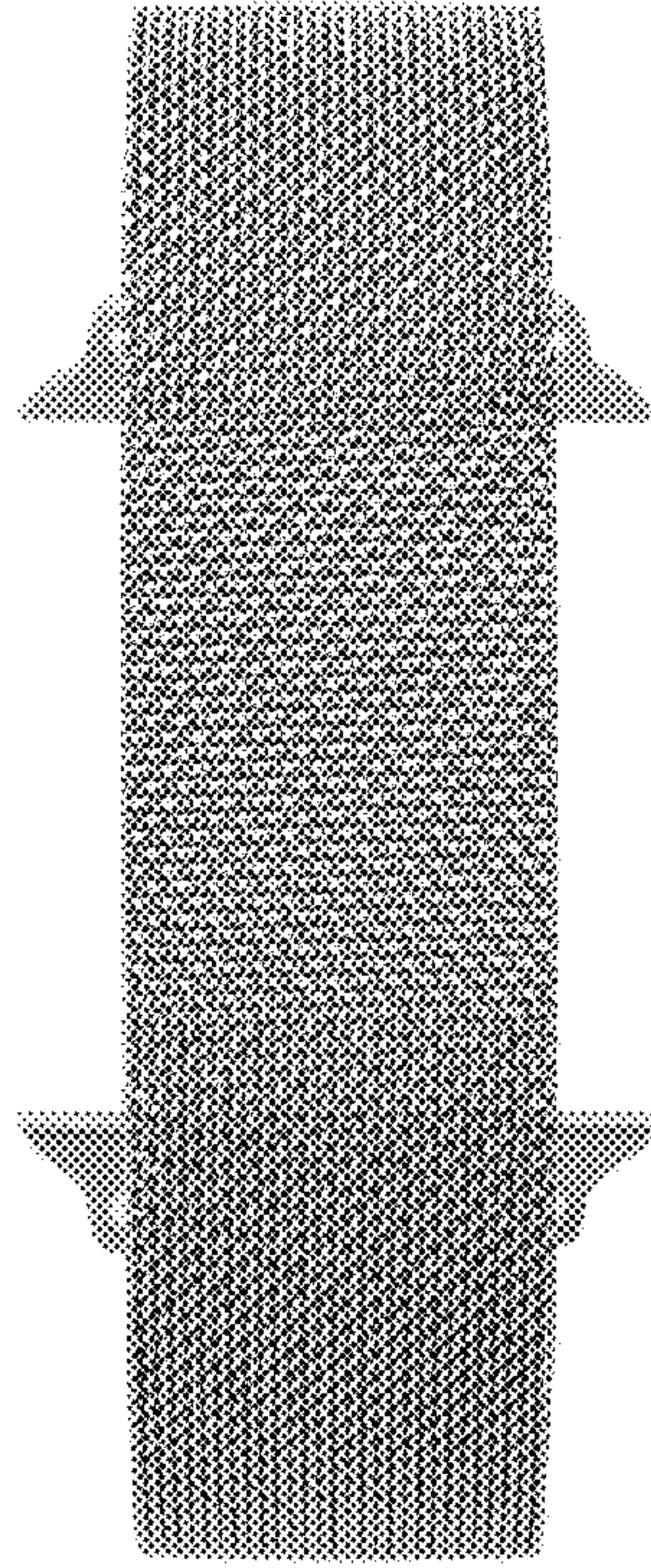


FIG. 2



FIG. 3



FIG. 4

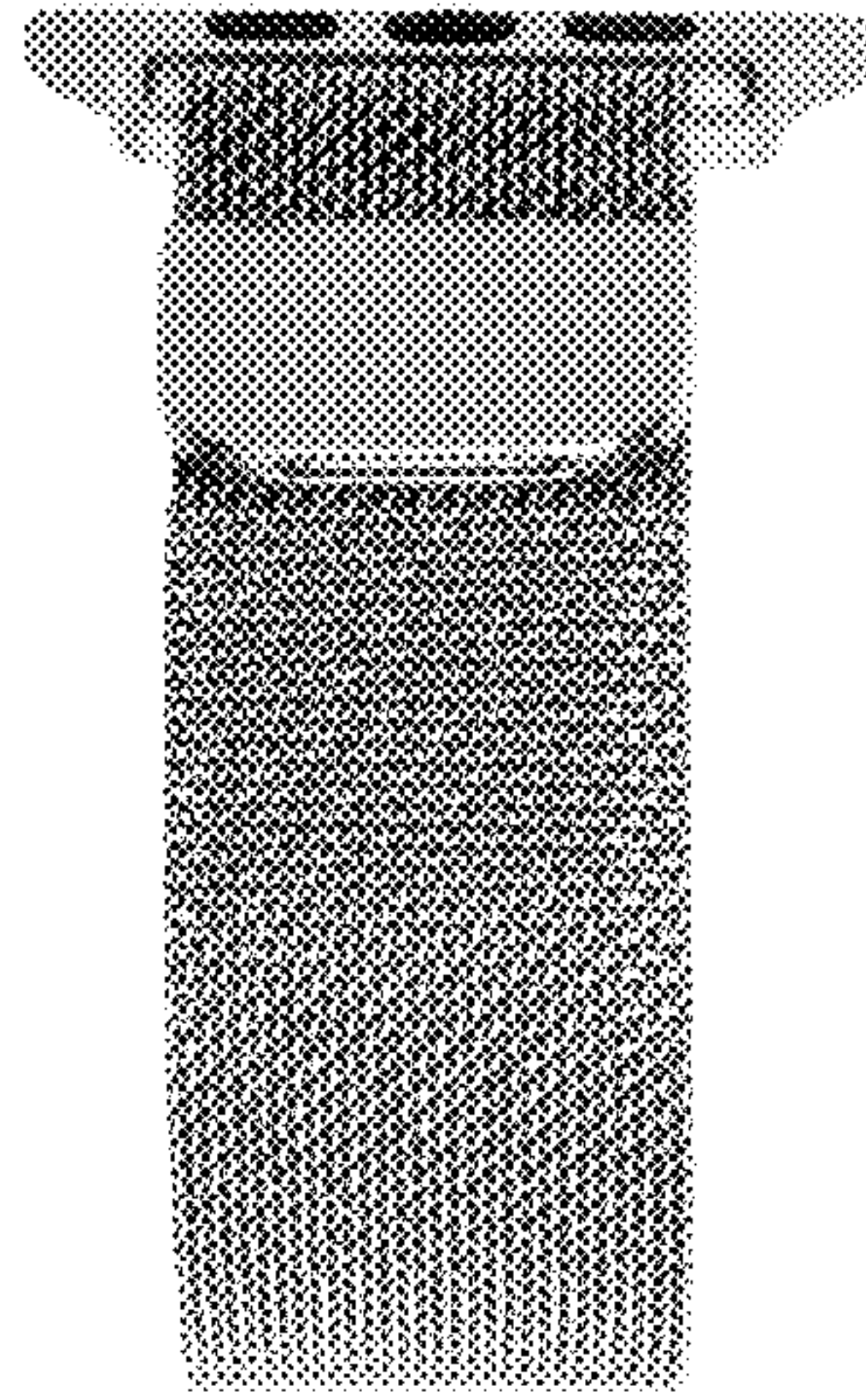


FIG. 5

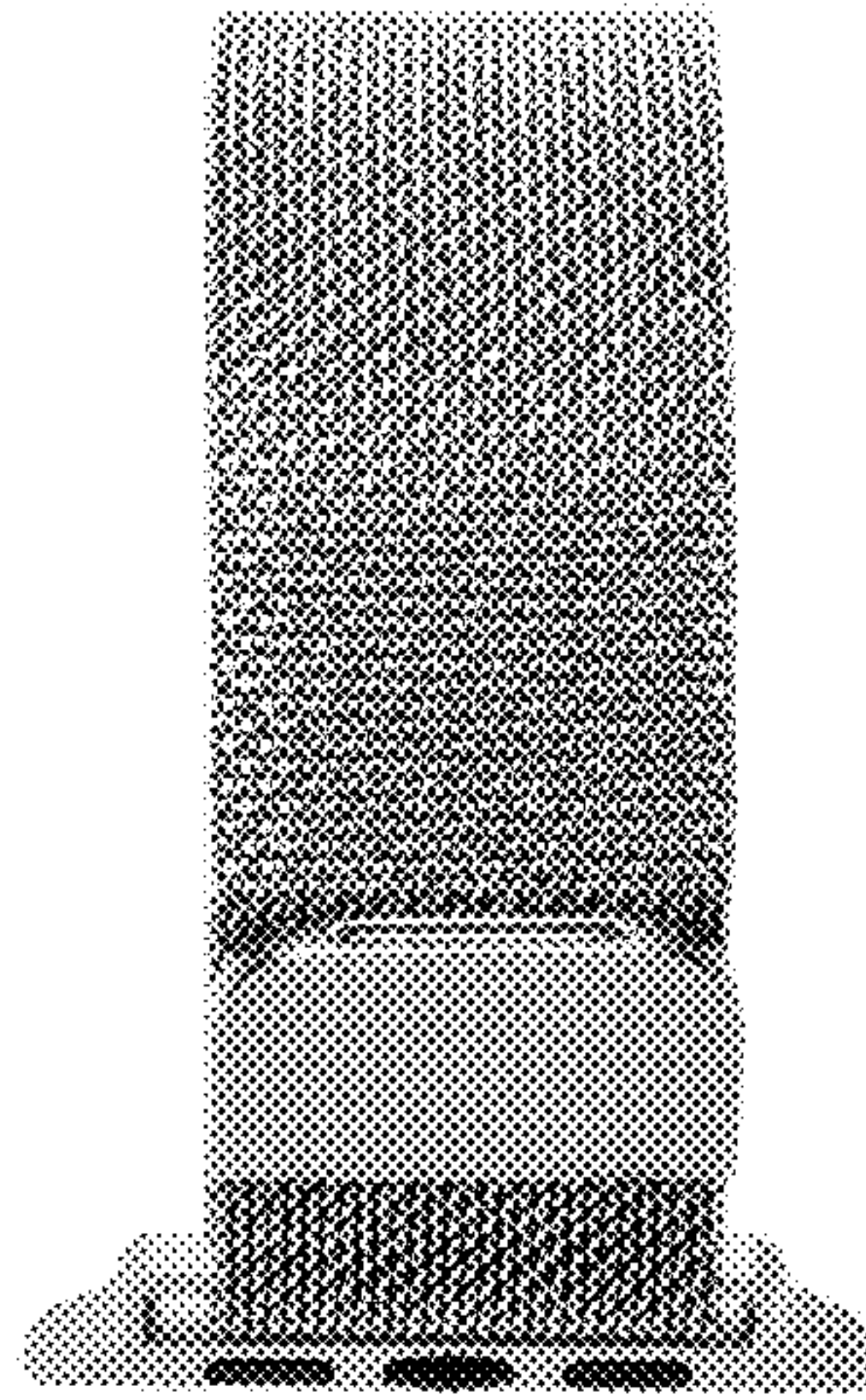


FIG. 6

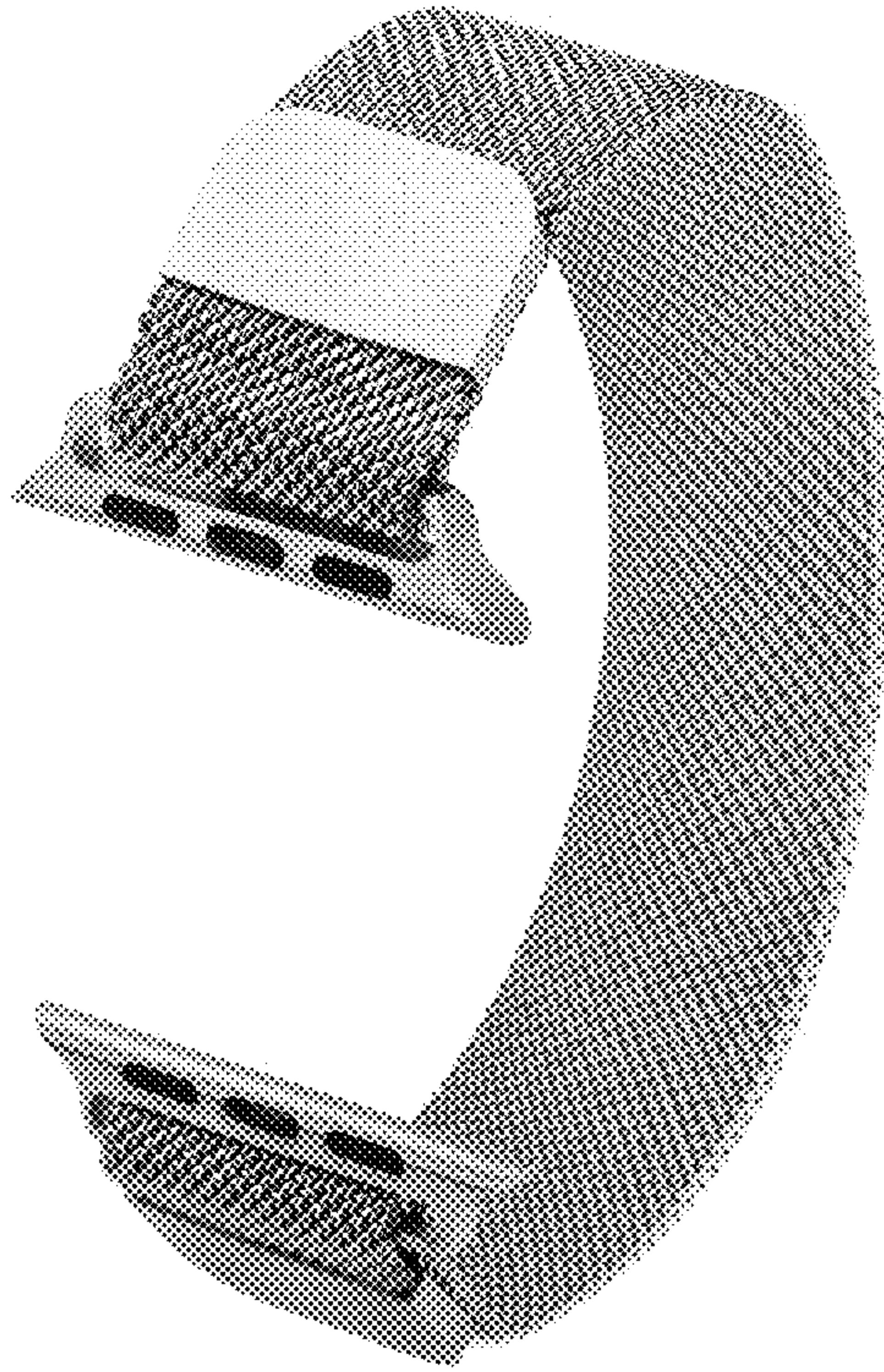


FIG. 7



FIG. 8

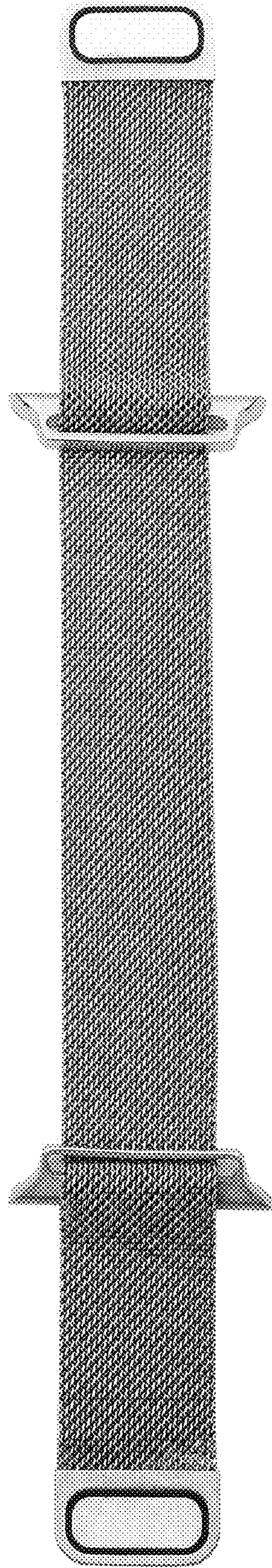


FIG. 9

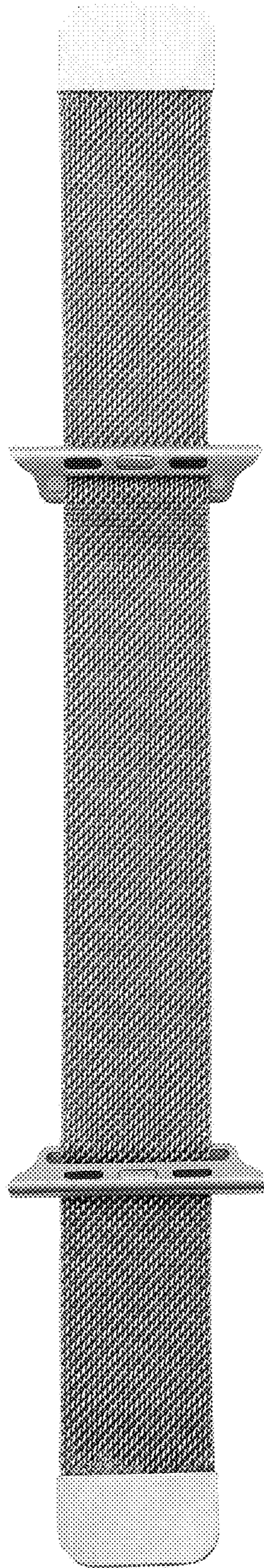


FIG. 10

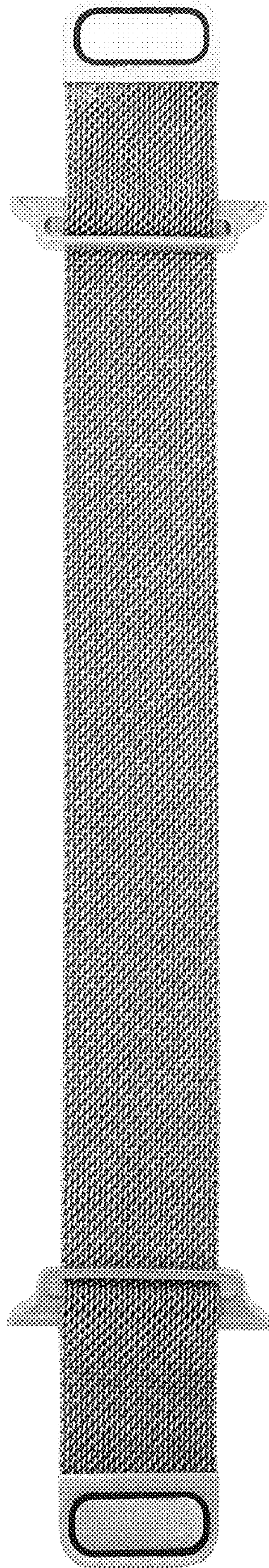


FIG. 11

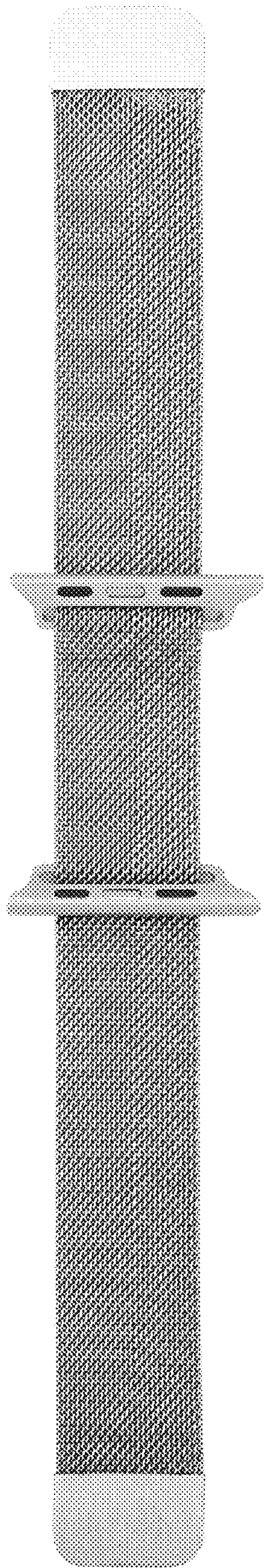


FIG. 12