



US00D959314S

(12) **United States Design Patent**
Zhang

(10) **Patent No.:** **US D959,314 S**

(45) **Date of Patent:** **** Aug. 2, 2022**

(54) **PROTECTIVE CASE FOR WIRELESS TRACKING DEVICE**

(71) Applicant: **Yun Zhang**, Guangdong (CN)

(72) Inventor: **Yun Zhang**, Guangdong (CN)

(**) Term: **15 Years**

(21) Appl. No.: **29/781,698**

(22) Filed: **Apr. 30, 2021**

(51) **LOC (13) Cl.** **10-05**

(52) **U.S. Cl.**
USPC **D10/121**

(58) **Field of Classification Search**
USPC D10/70, 103, 121; D8/382; D24/188;
D3/218

See application file for complete search history.

(56) **References Cited**

U.S. PATENT DOCUMENTS

D695,143 S *	12/2013	Solow	D10/121
D730,225 S *	5/2015	Behar	D10/103
D751,558 S *	3/2016	Lee	D10/103
D830,856 S *	10/2018	Golnik	D10/70
D861,332 S *	10/2019	Shin	D3/218

D898,745 S	10/2020	Ye	
D902,215 S	11/2020	Quan	
D903,125 S *	11/2020	Burns D24/188
D945,869 S *	3/2022	Painter D8/382

* cited by examiner

Primary Examiner — George D. Kirschbaum

(74) *Attorney, Agent, or Firm* — ScienBiziP, P.C.

(57) **CLAIM**

The ornamental design for a protective case for wireless tracking device, as shown and described.

DESCRIPTION

FIG. 1 is a front, right, and top perspective view of a protective case for wireless tracking device, showing my design.

FIG. 2 is a front elevation view thereof.

FIG. 3 is a rear elevation view thereof.

FIG. 4 is a left side elevation view thereof.

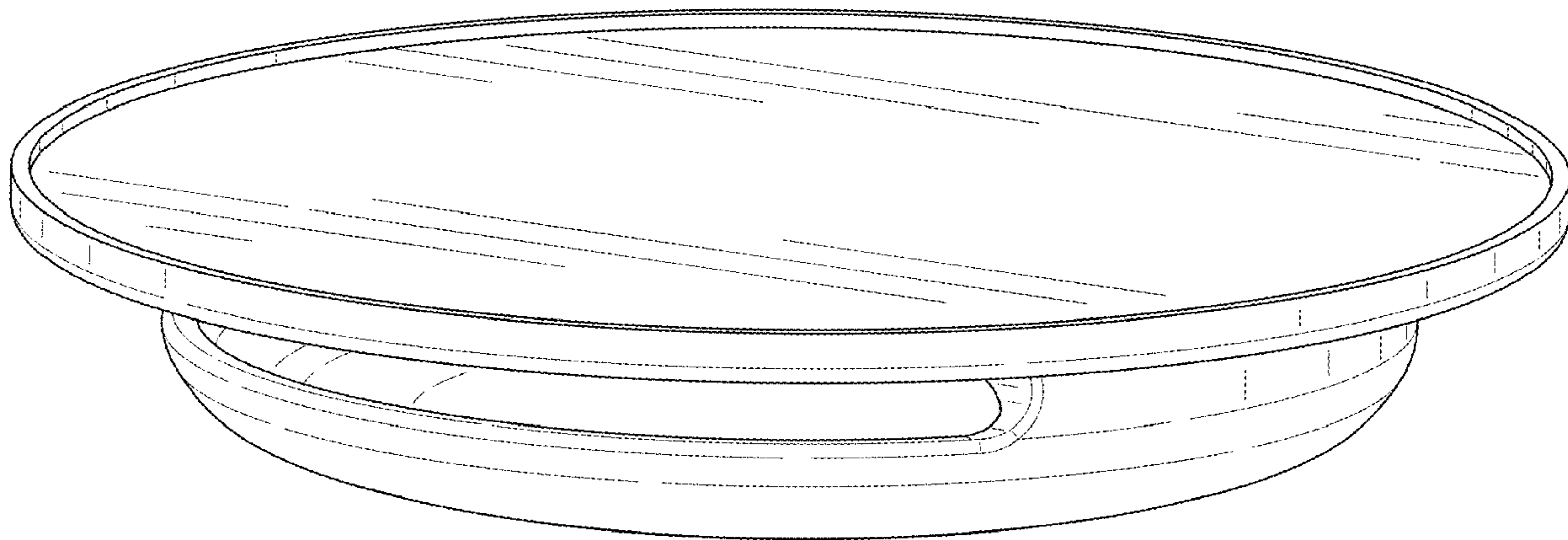
FIG. 5 is a right side elevation view thereof.

FIG. 6 is a top plan view thereof.

FIG. 7 is a bottom plan view thereof; and,

FIG. 8 is a cross-sectional view of the protective case for wireless tracking device of FIG. 6, taken along section line 8-8.

1 Claim, 8 Drawing Sheets



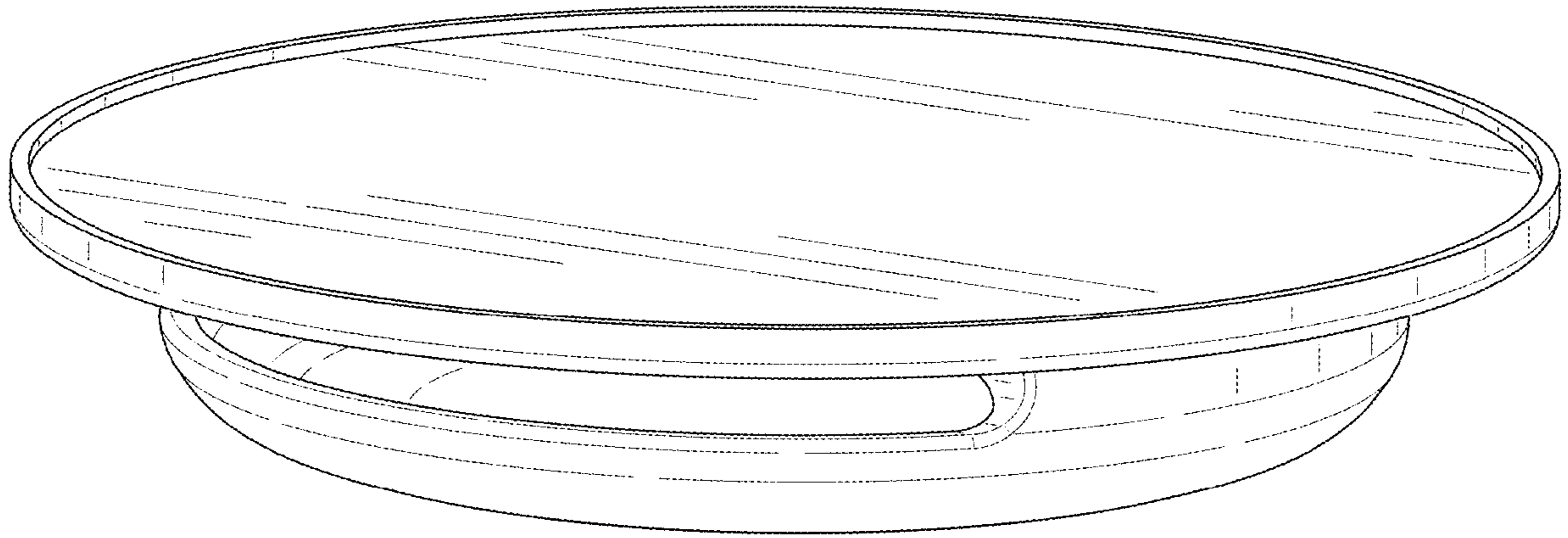


FIG. 1

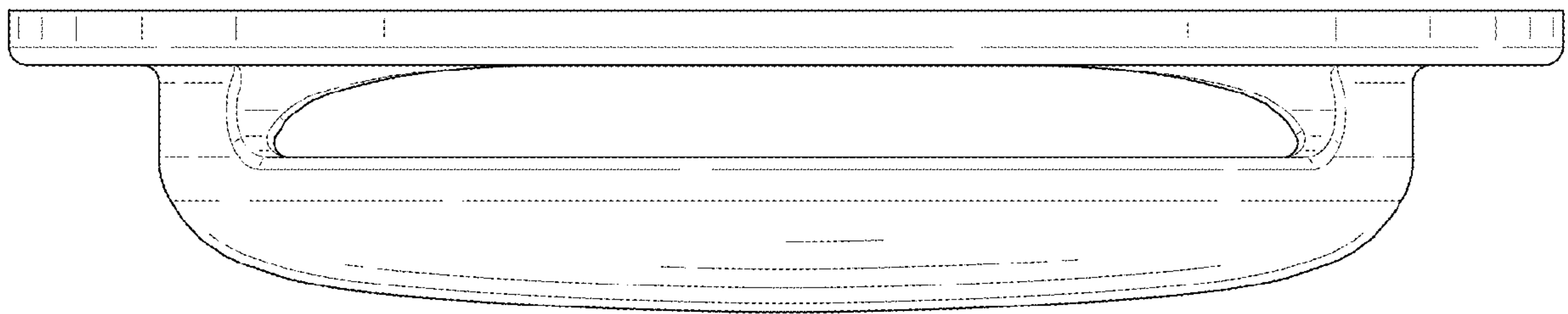


FIG. 2

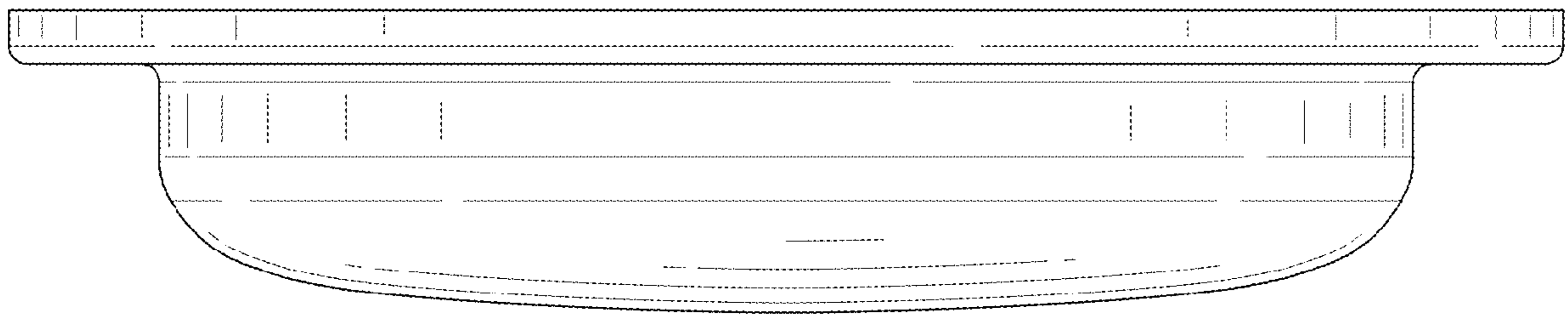


FIG. 3

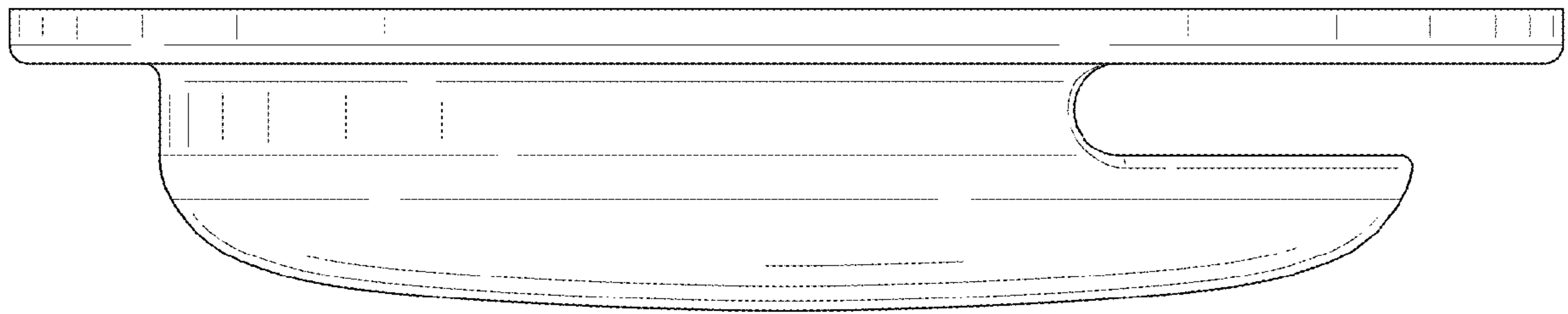


FIG. 4

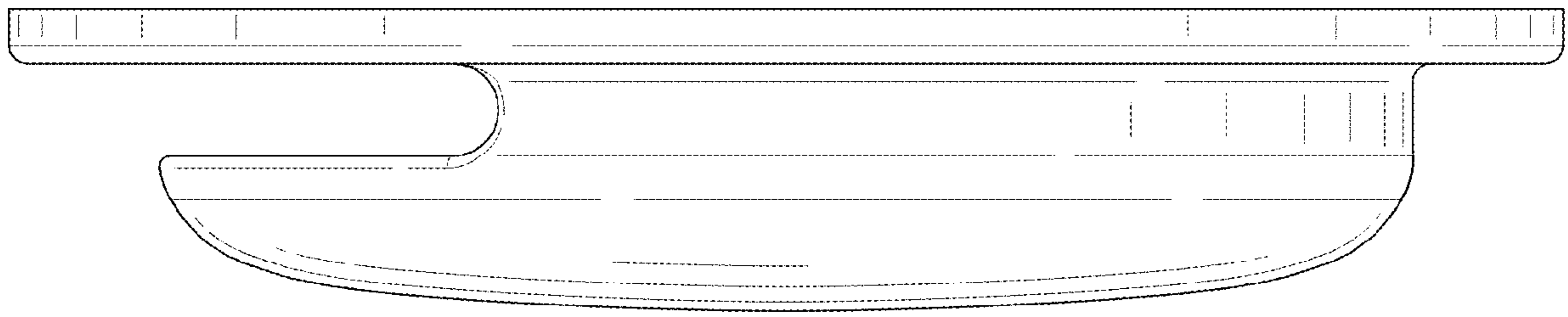


FIG. 5



FIG. 6

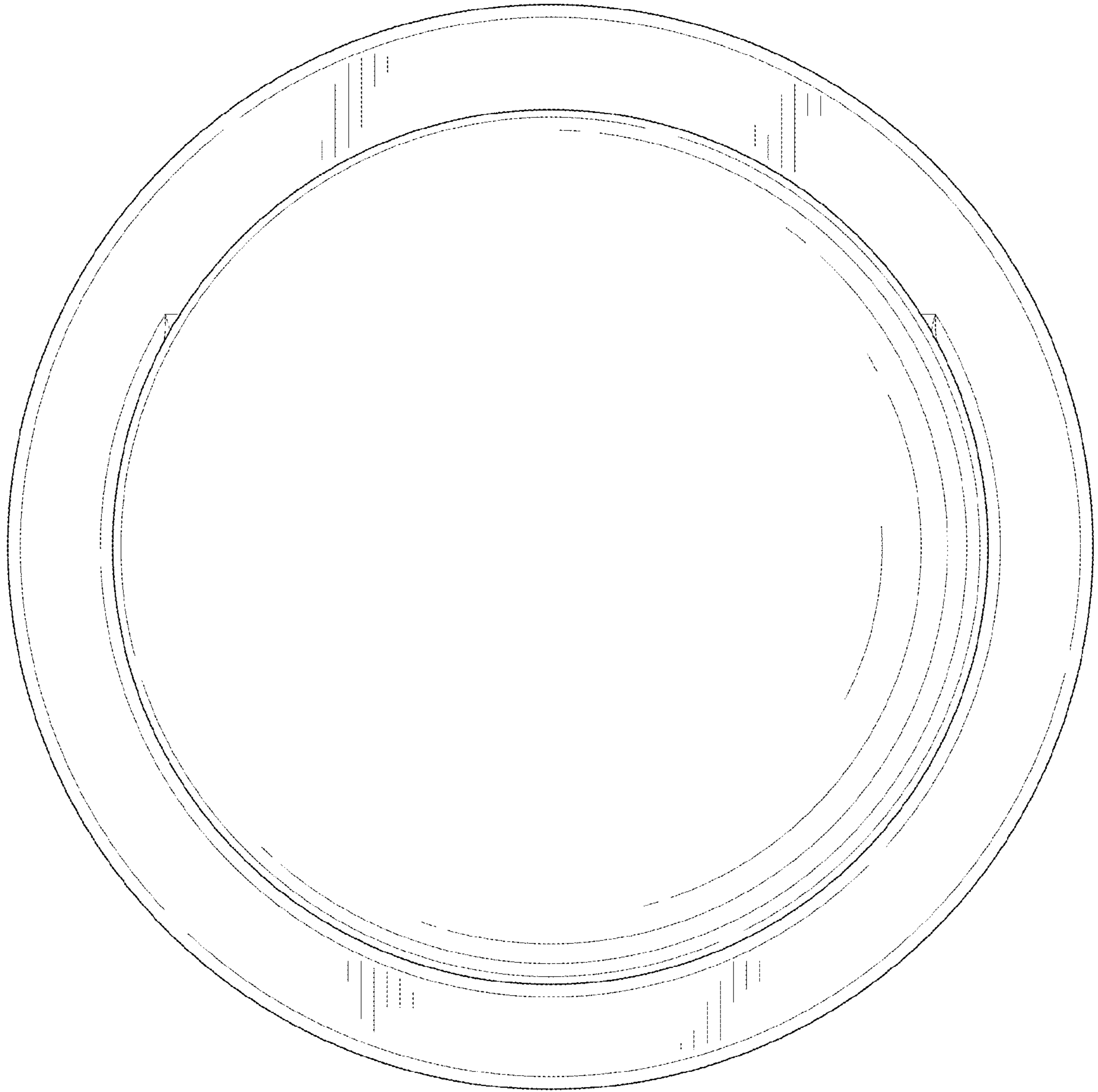


FIG. 7

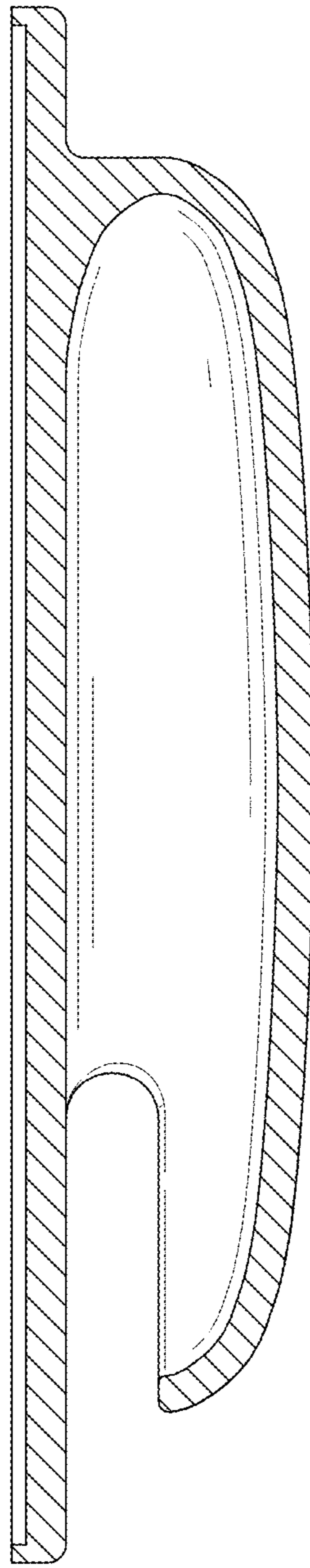


FIG. 8