



US00D959313S

(12) **United States Design Patent**
Cran et al.

(10) **Patent No.:** **US D959,313 S**

(45) **Date of Patent:** **** Aug. 2, 2022**

(54) **DOG WHISTLE**

D902,459 S * 11/2020 Ni D26/38
D917,115 S * 4/2021 Tang D10/104.1
D924,090 S * 7/2021 Xu D10/116.1

(71) Applicant: **MAKE GREAT SALES LIMITED,**
Hong Kong (HK)

FOREIGN PATENT DOCUMENTS

(72) Inventors: **Bruce Peter Cran,** Hcmc (VN); **Kin Choi Lee,** Wan Chai (HK)

CN 306178337 * 7/2020

(73) Assignee: **Make Great Sales Limited,** Hong Kong (HK)

OTHER PUBLICATIONS

(**) Term: **15 Years**

“Inoosky Ultrasonic Dog Trainer” available in Amazon.com, date first available Sep. 14, 2014 [online], site visited on Mar. 10, 2022. Available from the internet URL: <https://www.amazon.com/dp/B082XHCV1Q/>. (Year: 2014).*

(21) Appl. No.: **29/740,793**

* cited by examiner

(22) Filed: **Jul. 7, 2020**

(51) **LOC (13) Cl.** **10-06**

Primary Examiner — George D. Kirschbaum

(52) **U.S. Cl.**

Assistant Examiner — Lillian Windham

USPC **D10/119.3**

(74) *Attorney, Agent, or Firm* — Merchant & Gould P.C.

(58) **Field of Classification Search**

USPC D10/104.1, 109.2, 116.1, 119.1–119.4,
D10/120; D26/37, 38; D30/199

CPC A01K 15/021

See application file for complete search history.

(57) **CLAIM**

The ornamental design for a dog whistle, as shown and described.

(56) **References Cited**

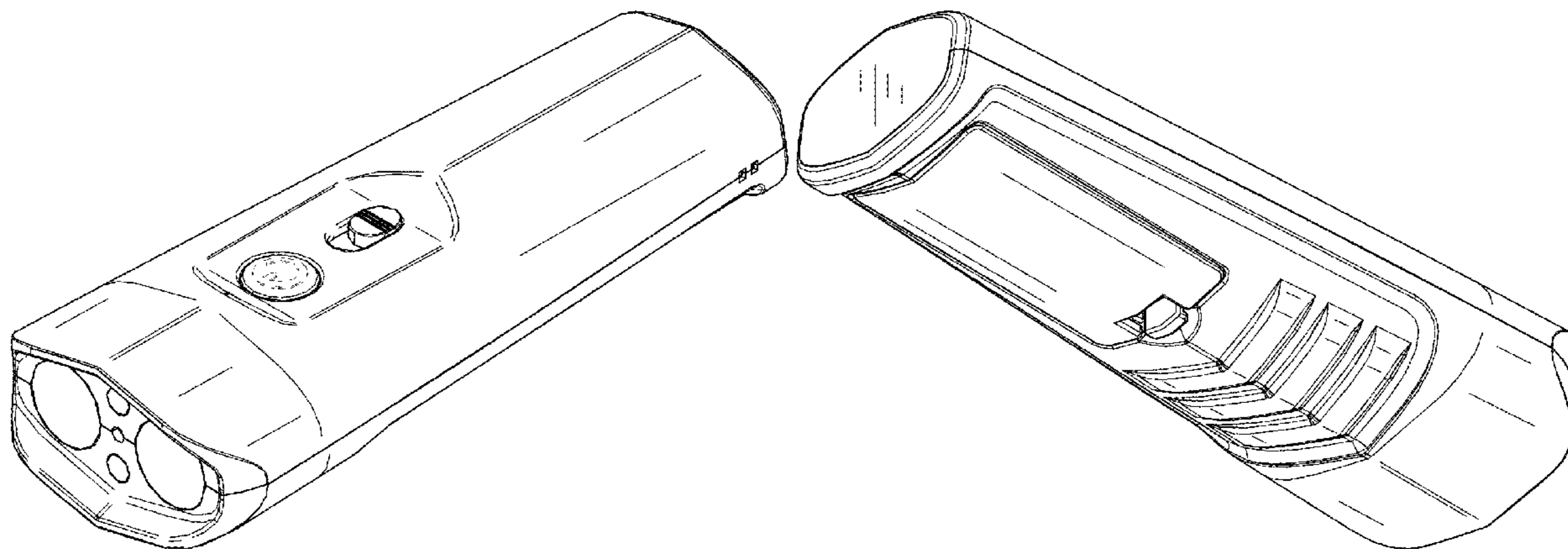
DESCRIPTION

U.S. PATENT DOCUMENTS

D294,065 S * 2/1988 Wan D10/109.2
D323,403 S * 1/1992 Sinrod D10/109.2
D331,719 S * 12/1992 Ackerman D10/116.1
D428,350 S * 7/2000 Weingartner D10/104.1
D502,421 S * 3/2005 Cheng D10/119.1
D544,975 S * 6/2007 Lee D26/37
D556,619 S * 12/2007 Markfelder D10/119.3
D639,197 S * 6/2011 Primos D10/119.1
D700,099 S * 2/2014 Barley D10/119.1
D889,758 S * 7/2020 Van Curen D10/104.1

FIG. 1 is a top perspective view showing our design;
FIG. 2 is a bottom perspective view;
FIG. 3 is a front view;
FIG. 4 is a rear view;
FIG. 5 is a left side view;
FIG. 6 is a right side view;
FIG. 7 is a top view; and,
FIG. 8 is a bottom plan view thereof.

1 Claim, 6 Drawing Sheets



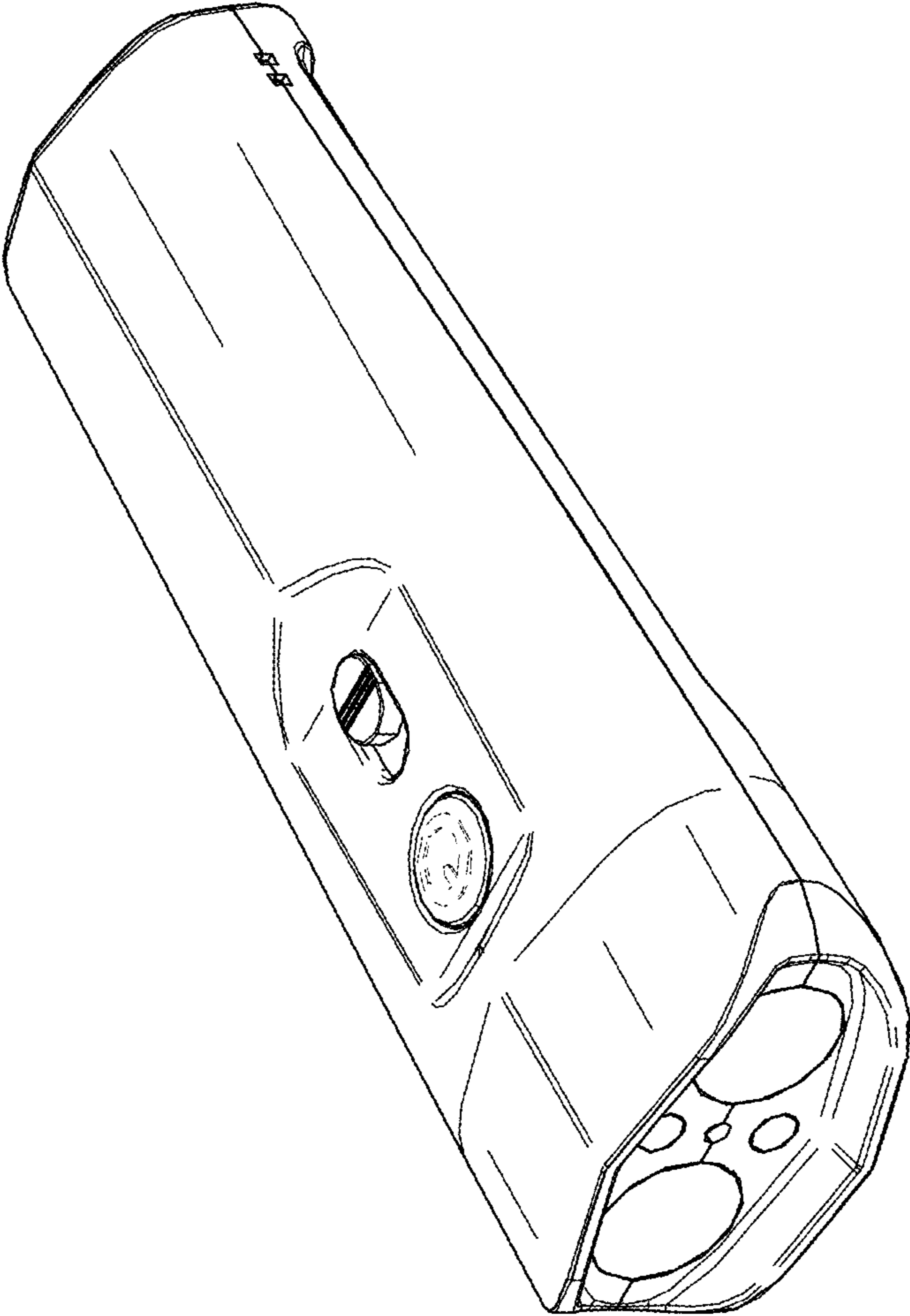


FIG. 1

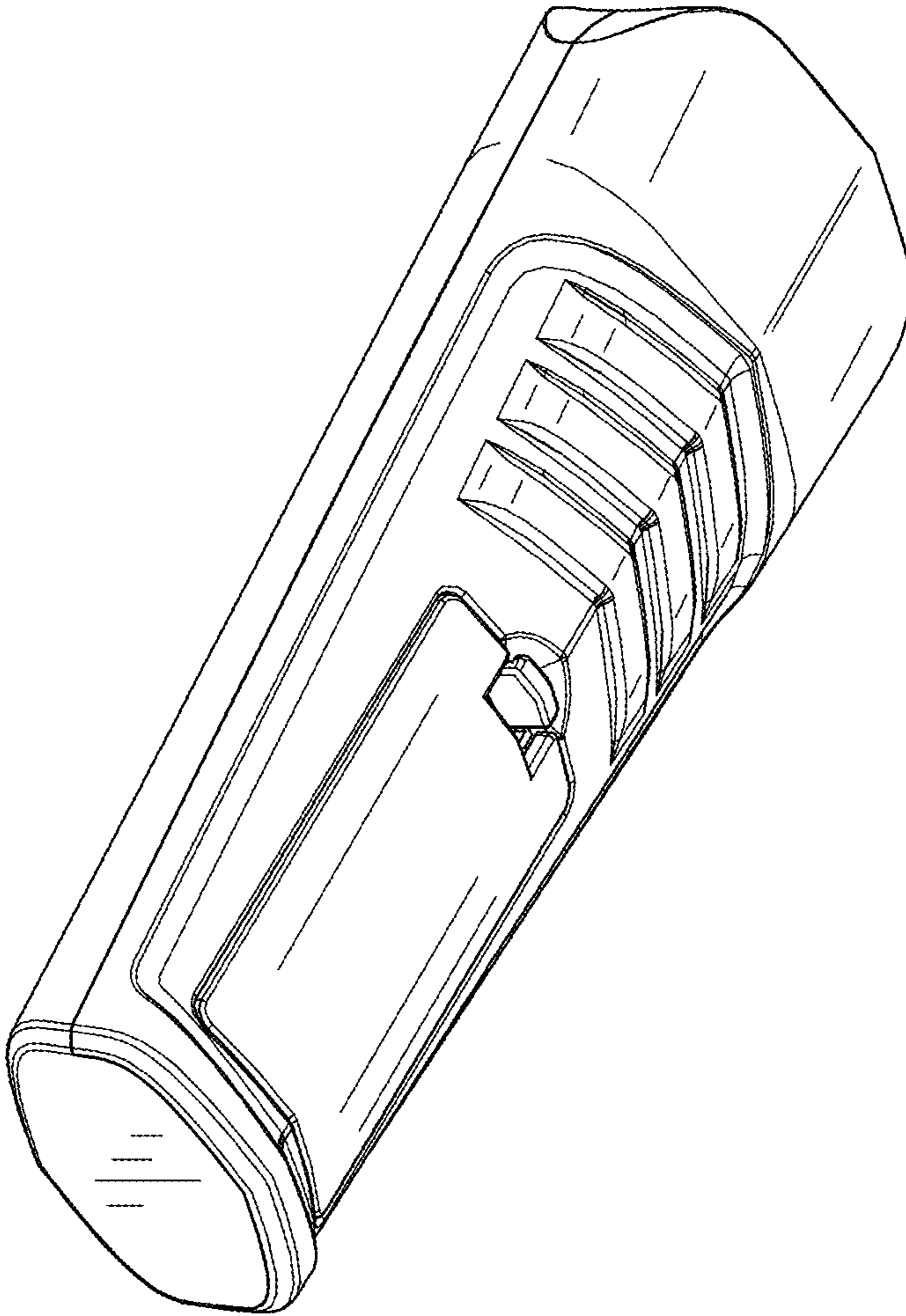


FIG. 2

FIG. 4

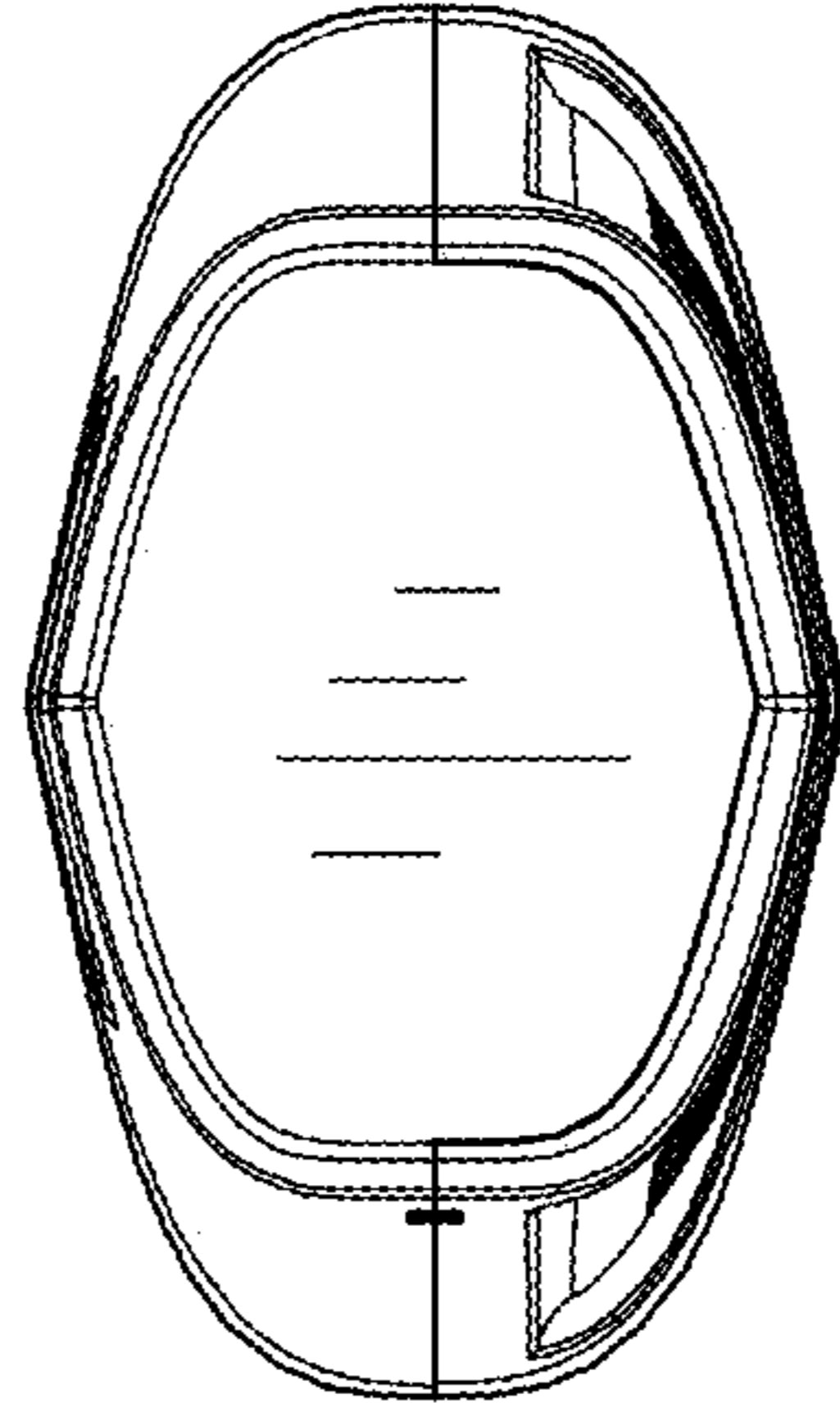


FIG. 3

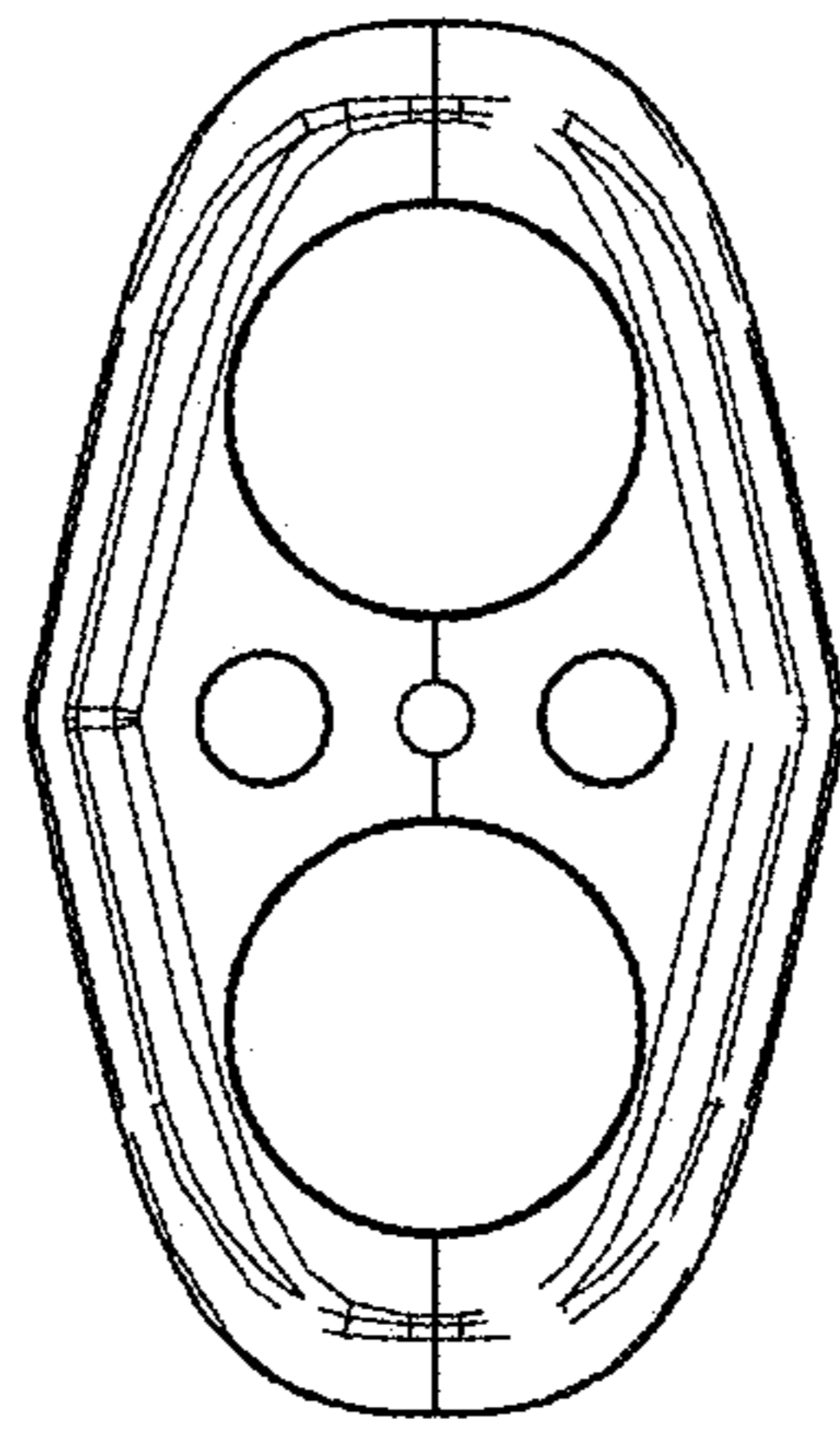


FIG. 5

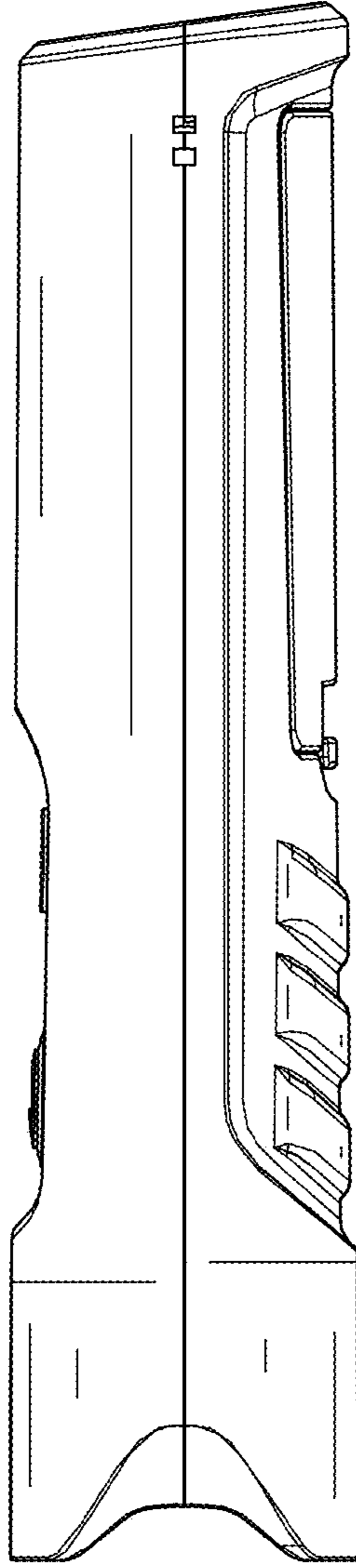
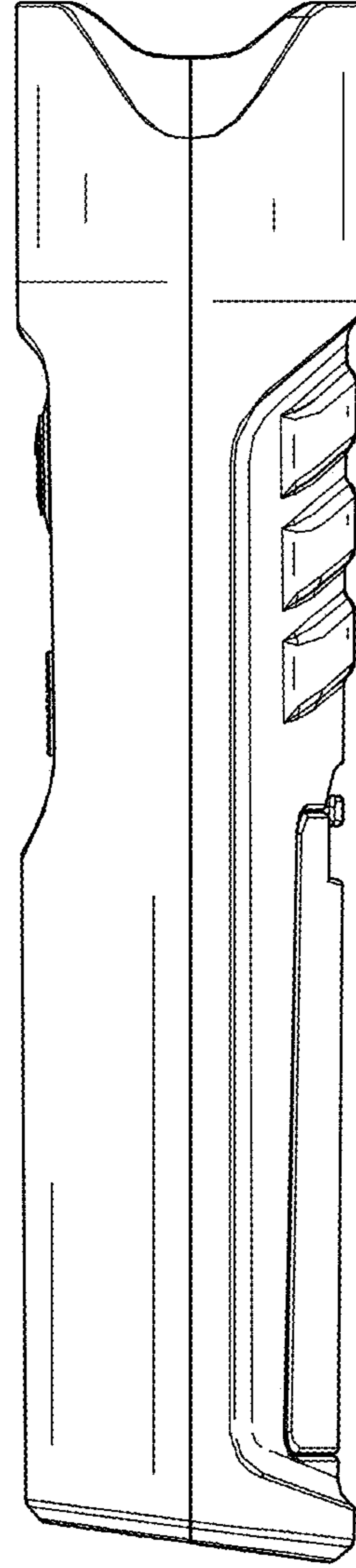


FIG. 6



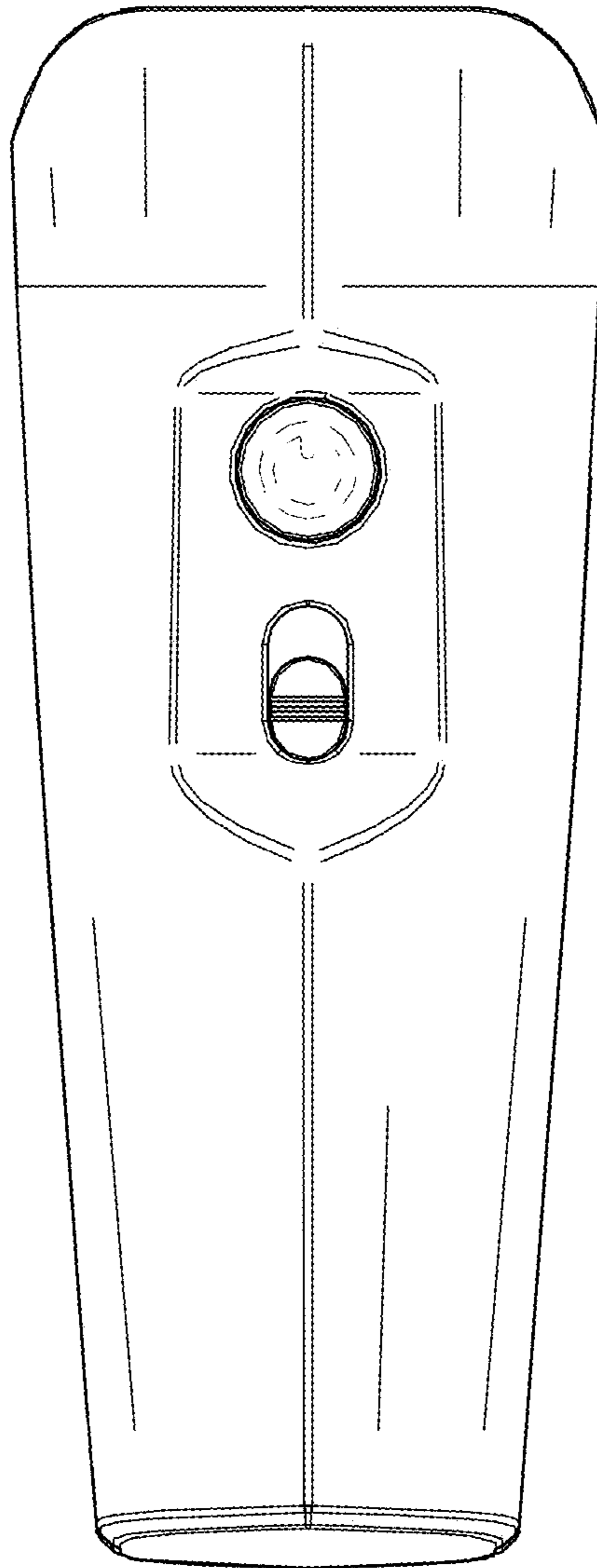


FIG. 7

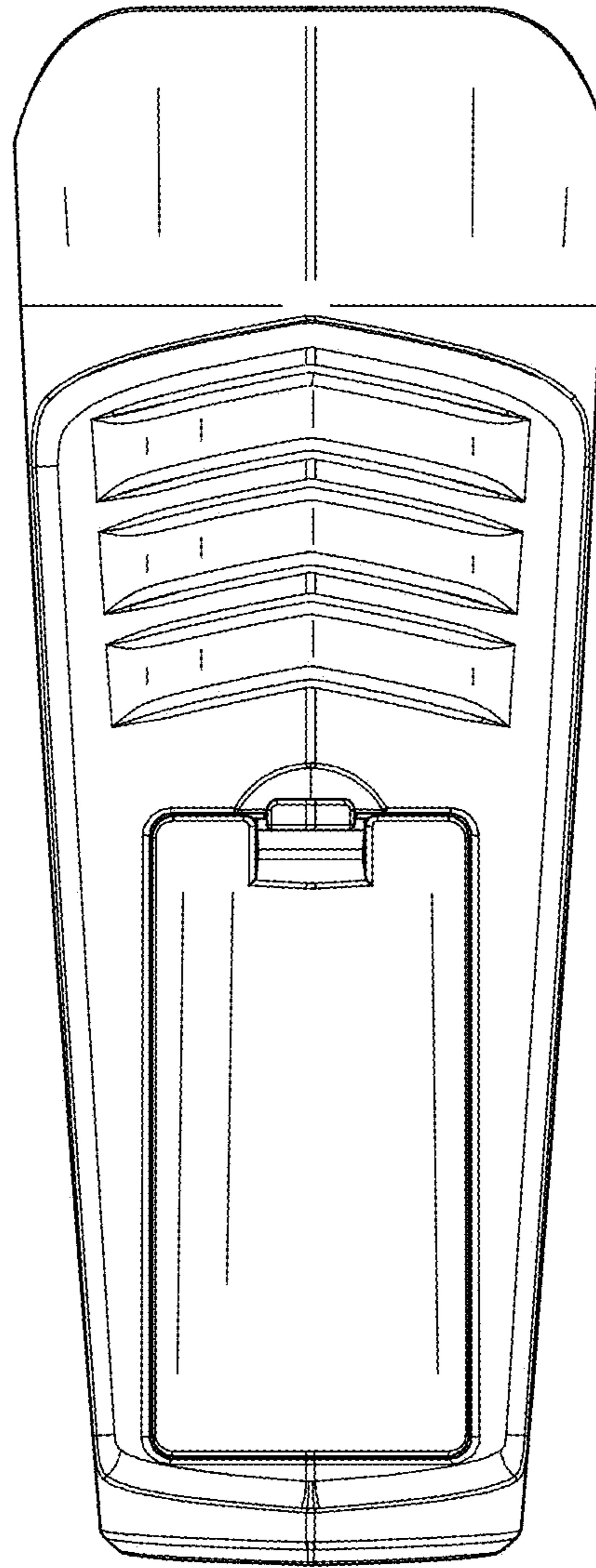


FIG. 8