



US00D959310S

(12) **United States Design Patent**  
**Liu**

(10) **Patent No.:** **US D959,310 S**

(45) **Date of Patent:** **\*\* Aug. 2, 2022**

(54) **SMART SCALES READER**

D393,198 S \* 4/1998 Schmidt ..... G06F 3/04815  
D8/355

(71) Applicant: **Shiwei Liu**, Lehi, UT (US)

10,921,885 B2 \* 2/2021 Rajasingham ..... G06F 3/04815  
11,269,404 B2 \* 3/2022 Rajasingham ..... G06F 3/04815

(72) Inventor: **Shiwei Liu**, Lehi, UT (US)

\* cited by examiner

(\*\*) Term: **15 Years**

*Primary Examiner* — Antoine Duval Davis

(21) Appl. No.: **29/751,939**

(22) Filed: **Sep. 24, 2020**

(51) **LOC (13) Cl.** ..... **10-04**

(52) **U.S. Cl.**  
USPC ..... **D10/94**; D10/103; D14/451

(58) **Field of Classification Search**

USPC ..... D8/354, 355, 380, 381; D10/94, 103;  
D14/374, 375, 376, 377, 451, 452  
CPC .... G06V 20/52; G06V 2201/02; G01G 19/50;  
G01G 23/361; G01G 19/40; G06K  
9/6217; H04N 7/185  
See application file for complete search history.

(56) **References Cited**

U.S. PATENT DOCUMENTS

D314,505 S \* 2/1991 Chen ..... G06F 3/04815  
D8/380

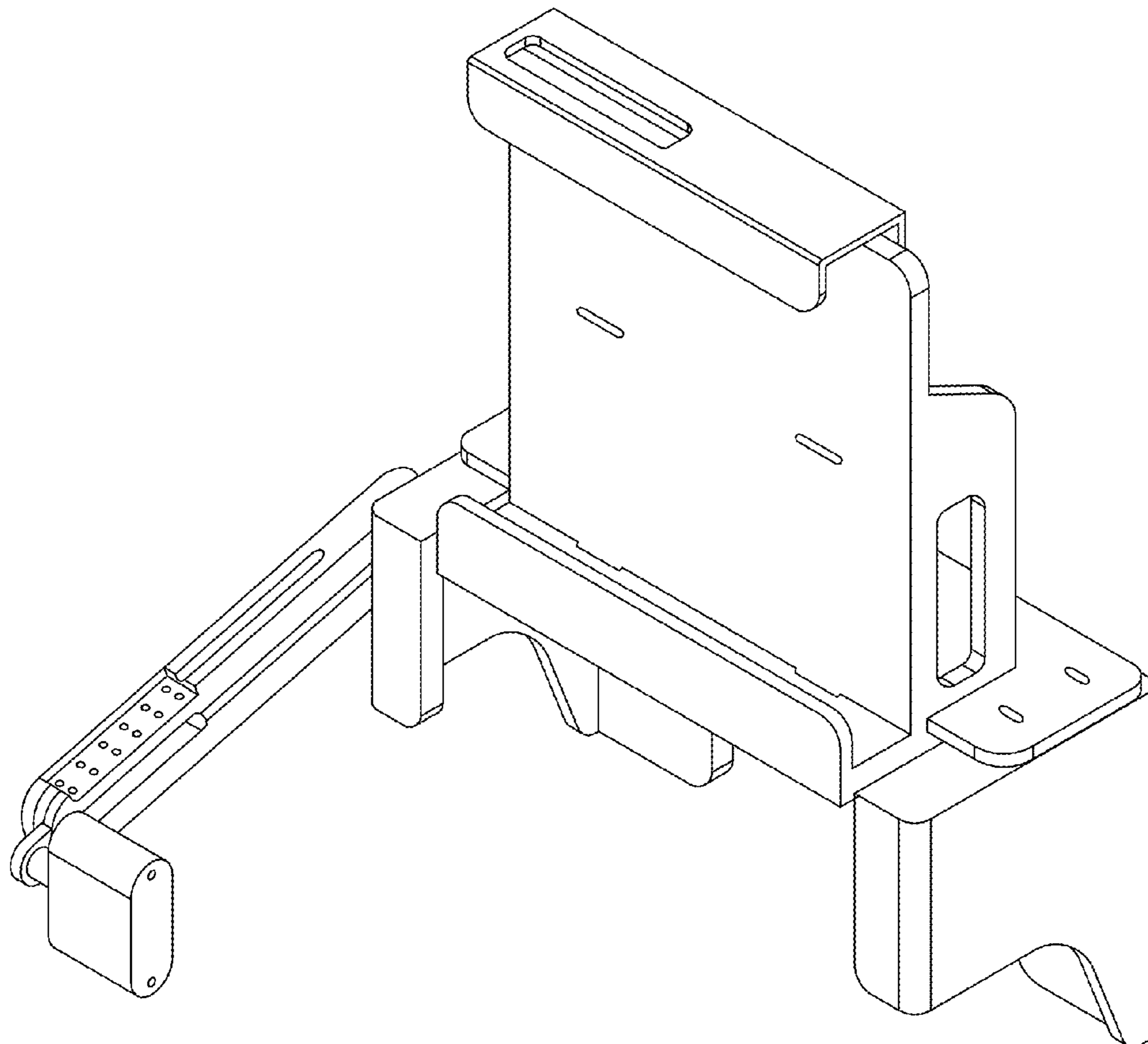
(57) **CLAIM**

I claim the ornamental design of a smart scales reader, as shown and described.

**DESCRIPTION**

FIG. 1 is a stereogram view of smart scales reader thereof; FIG. 2 is a main view of smart scales reader thereof; FIG. 3 is a rear view of smart scales reader thereof; FIG. 4 is a top view of smart scales reader thereof; FIG. 5 is a bottom view of smart scales reader thereof; FIG. 6 is a left view of smart scales reader thereof; and, FIG. 7 is a right view of smart scales reader thereof.

**1 Claim, 7 Drawing Sheets**



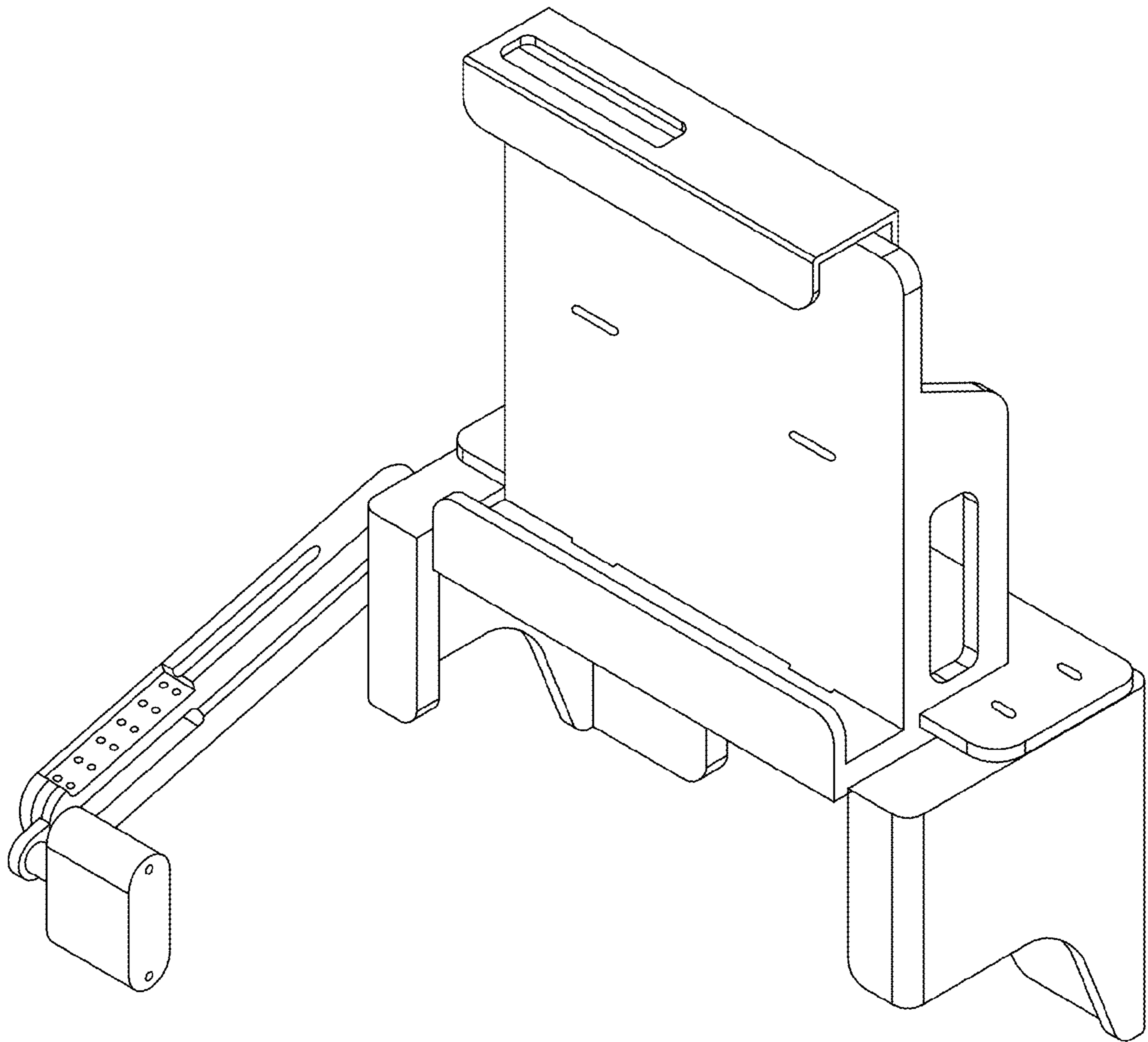


FIG. 1

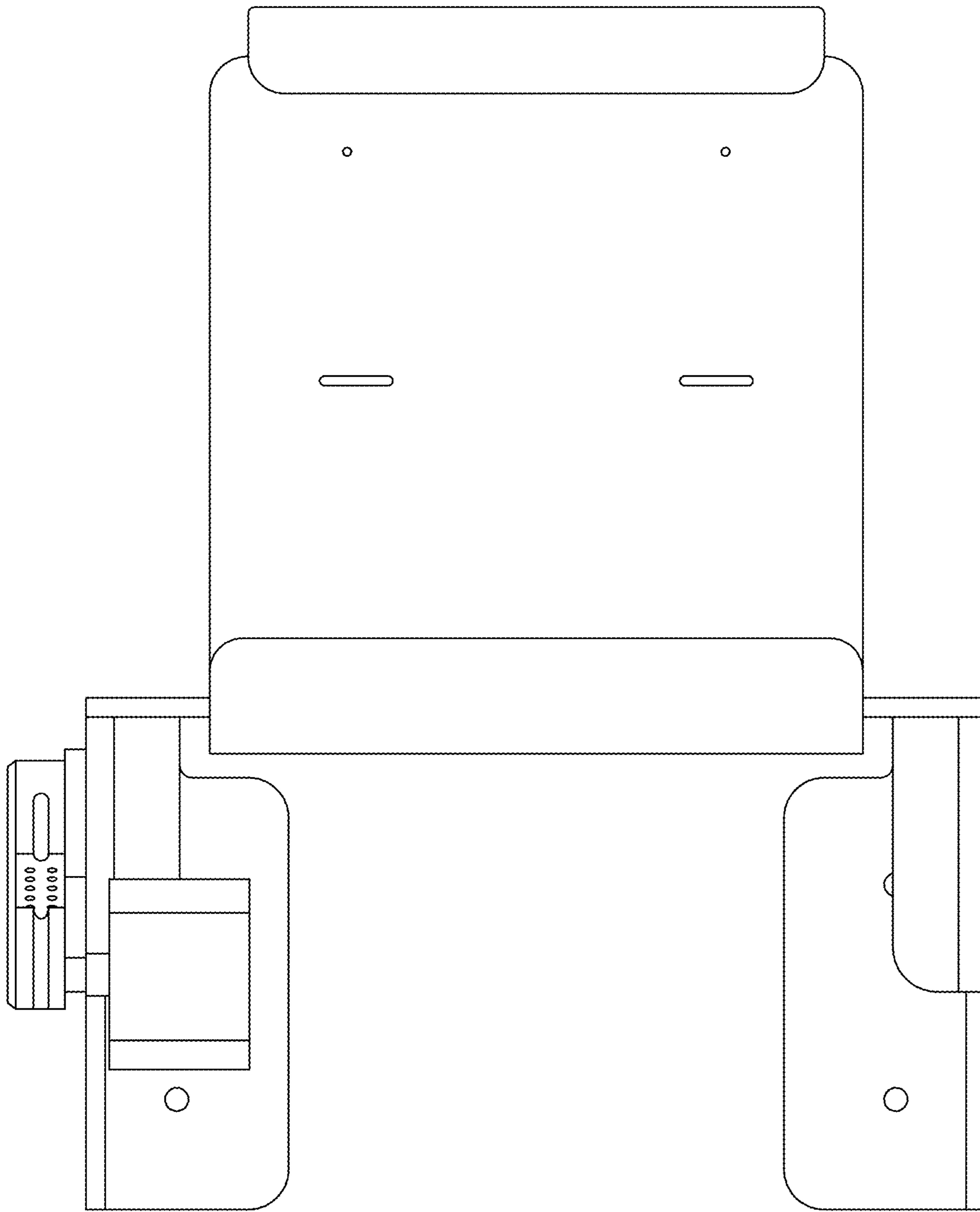


FIG. 2

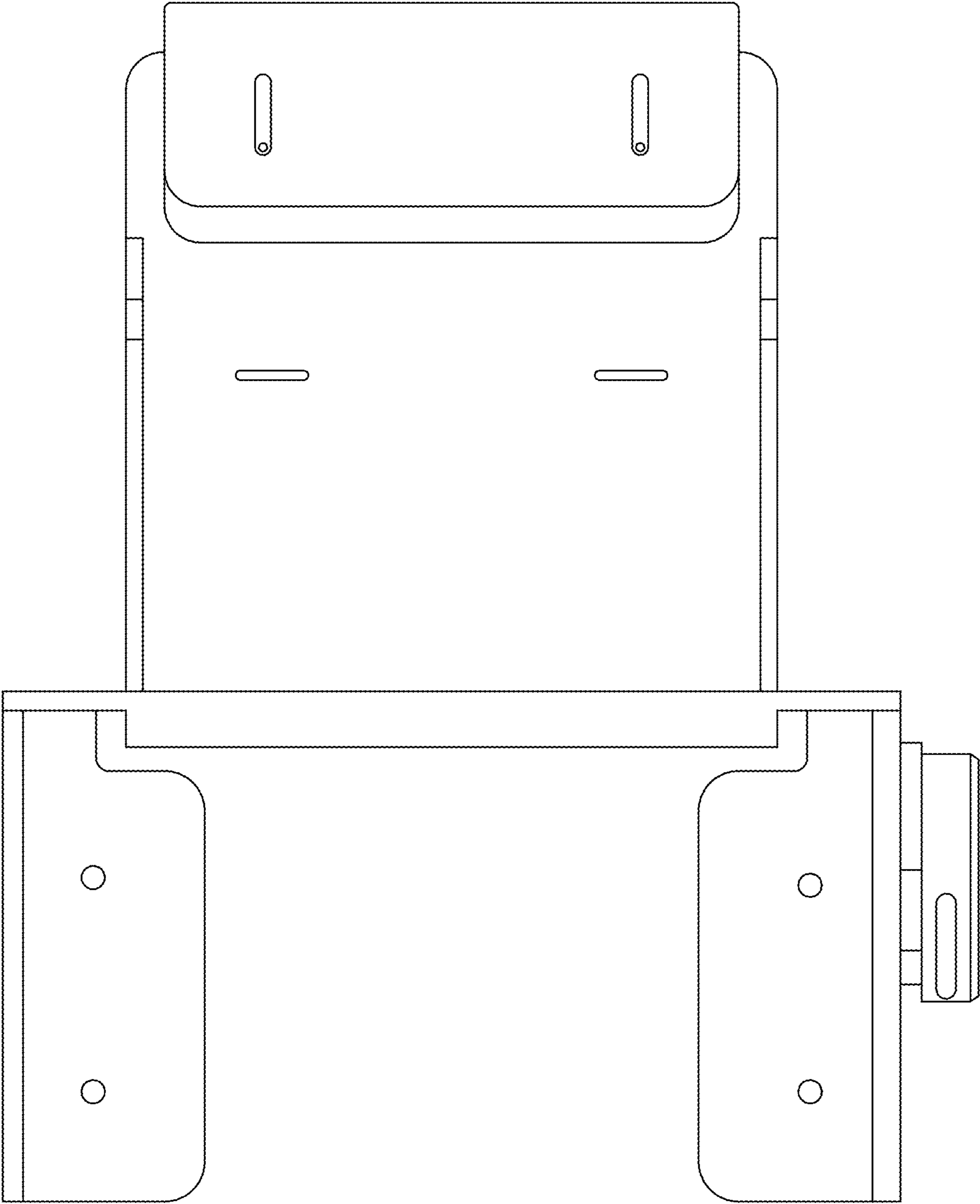


FIG. 3

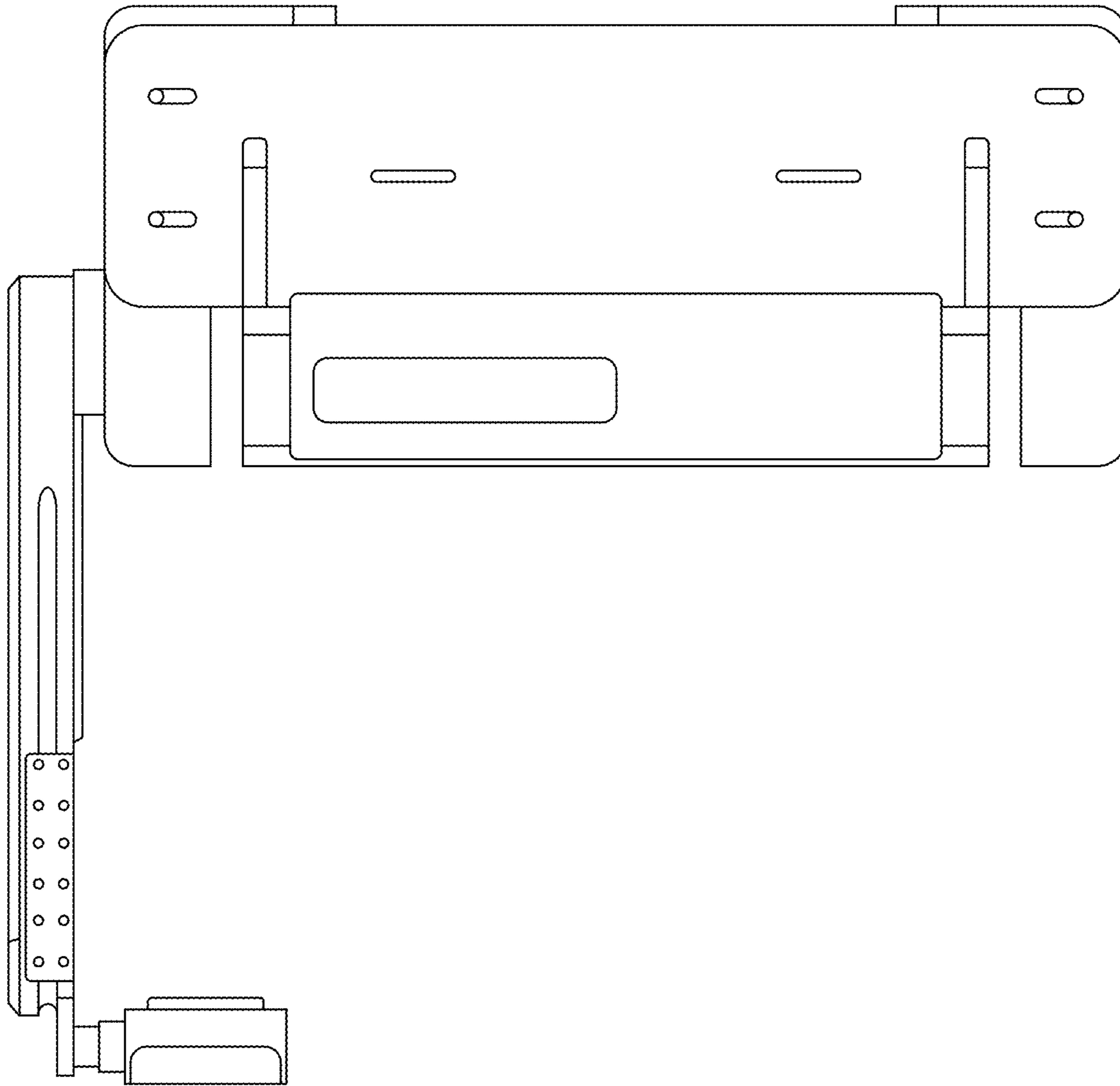


FIG. 4

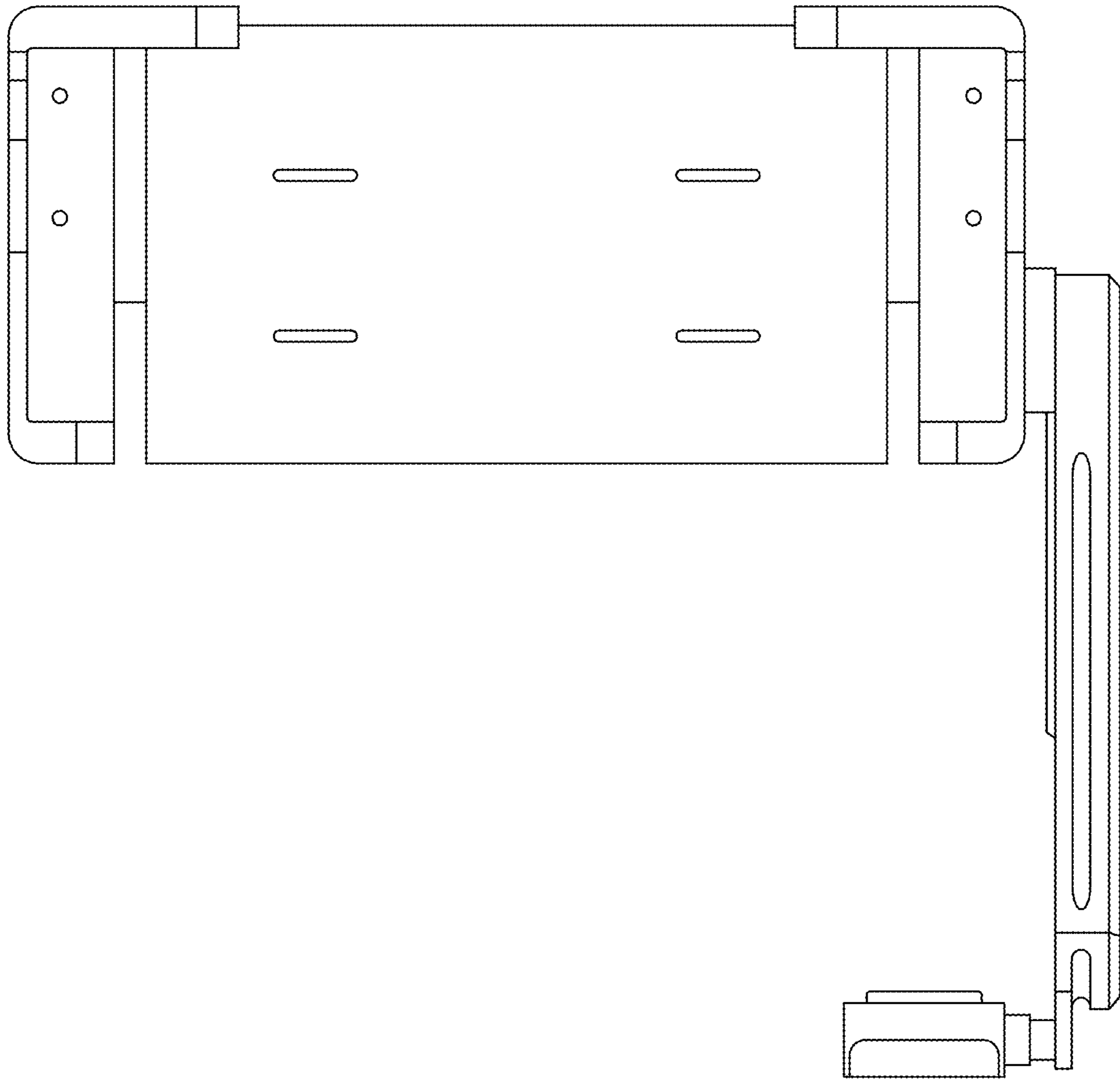


FIG. 5

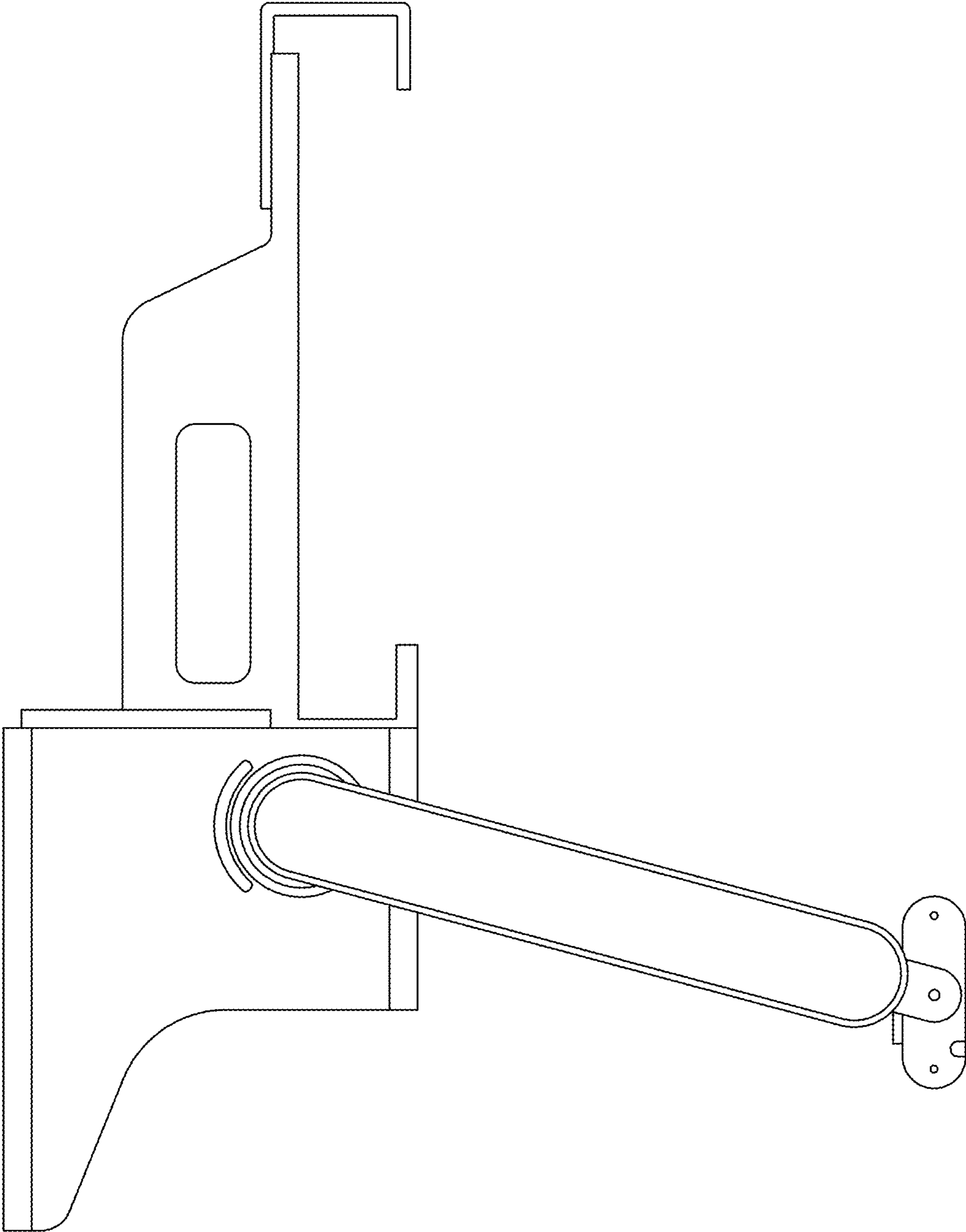


FIG. 6

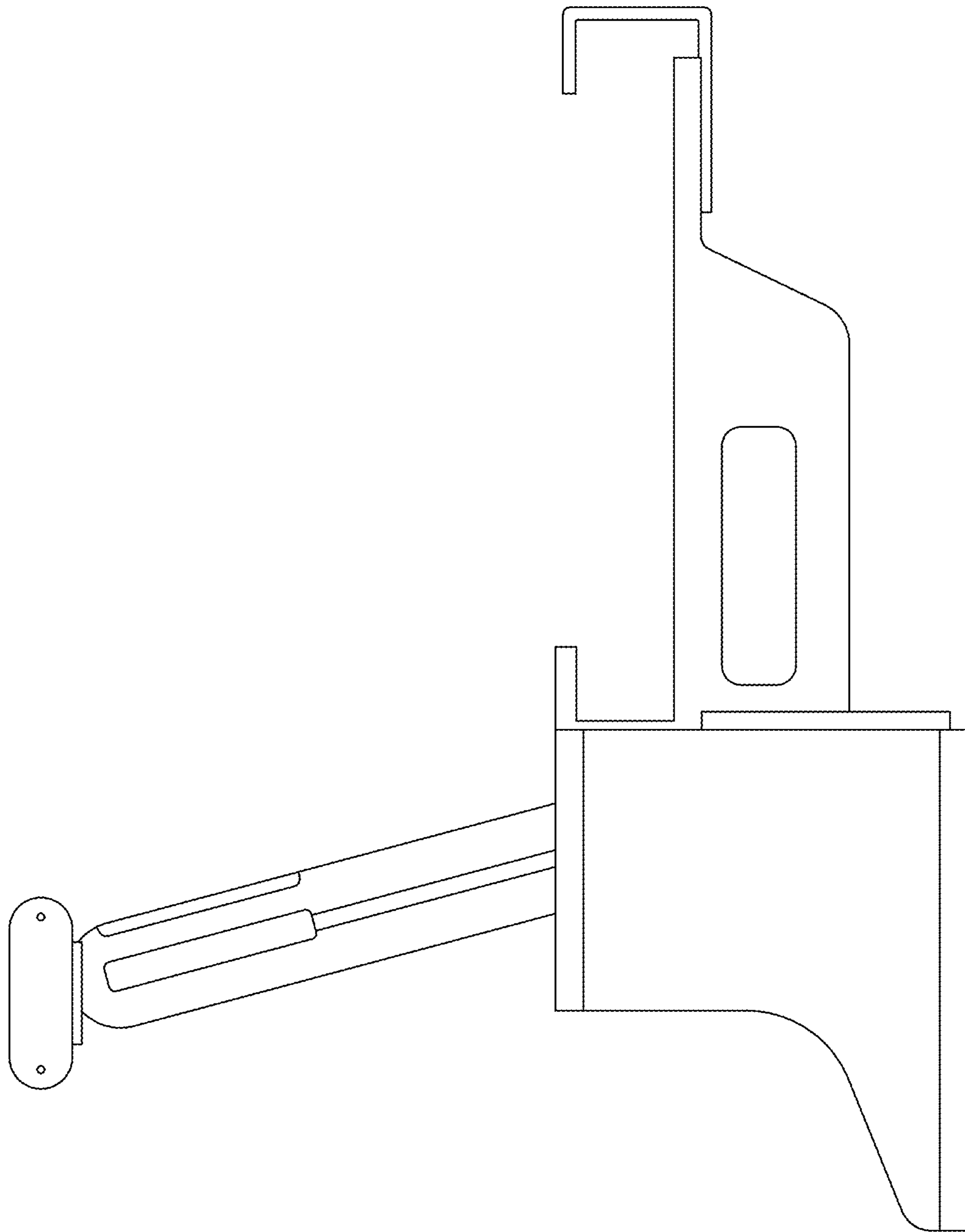


FIG. 7