

US00D959306S

(12) **United States Design Patent** (10) **Patent No.:** **US D959,306 S**
Liang (45) **Date of Patent:** **** Aug. 2, 2022**

(54) **PORTABLE ELECTRONIC SCALE**

(71) Applicant: **Kemei Liang**, Guangdong (CN)

(72) Inventor: **Kemei Liang**, Guangdong (CN)

(**) Term: **15 Years**

(21) Appl. No.: **29/747,121**

(22) Filed: **Aug. 20, 2020**

(51) **LOC (13) Cl.** **10-04**

(52) **U.S. Cl.**
USPC **D10/89**

(58) **Field of Classification Search**

USPC D10/83-97
CPC G01G 21/28; G01G 21/00; G01G 19/414;
G01G 19/4144; G01G 19/42; G01G
23/166; G01G 21/30; G01G 23/3728;
G01G 23/3735; G01G 19/44; G01G 3/14;
G01G 19/46; G01G 19/48; G01G 19/50;
G01G 21/44; G01G 19/58; G01G 21/283;
A61B 5/053; A61B 5/4872; A61B
5/0537; A61B 5/4869; A61B 5/6825;
A61B 5/6829; A61B 5/7445; A61B
5/1072; G06Q 20/3678; G06Q 20/387;
G06Q 20/065; G06Q 20/36; G06Q 20/06;
G06Q 20/208; G09B 19/00; G16H 20/00;
G16H 40/63; F16F 1/123; G09F
2003/0254; G09F 3/02

See application file for complete search history.

(56) **References Cited**

U.S. PATENT DOCUMENTS

D575,178 S * 8/2008 Thybulle D10/89
D600,150 S * 9/2009 Kritzler D10/89
D606,436 S * 12/2009 Rogers D10/89
D611,374 S * 3/2010 Marshall D10/89
D653,135 S * 1/2012 Sheikh D10/89
D743,283 S * 11/2015 Sheikh D10/89
D766,764 S * 9/2016 Little D10/89
D798,174 S * 9/2017 Tian D10/89

D799,351 S * 10/2017 Li D10/89
D928,643 S * 8/2021 Zhu D10/89
2011/0186356 A1* 8/2011 Sheikh G01G 21/283
177/25.13

(Continued)

FOREIGN PATENT DOCUMENTS

CN 303273925 * 12/2014
CN 304856727 * 6/2018
CN 305800067 * 11/2019

(Continued)

OTHER PUBLICATIONS

Jessica MacDonald, The 7 Best Luggage Scales of 2021, Date first available Sep. 22, 2021, [online]retrieved Dec. 9, 2021, available from <https://www.tripsavvy.com/best-luggage-scales-4158093> (Year: 2021).*

(Continued)

Primary Examiner — Keli L Hill
Assistant Examiner — Sara S Sahneh

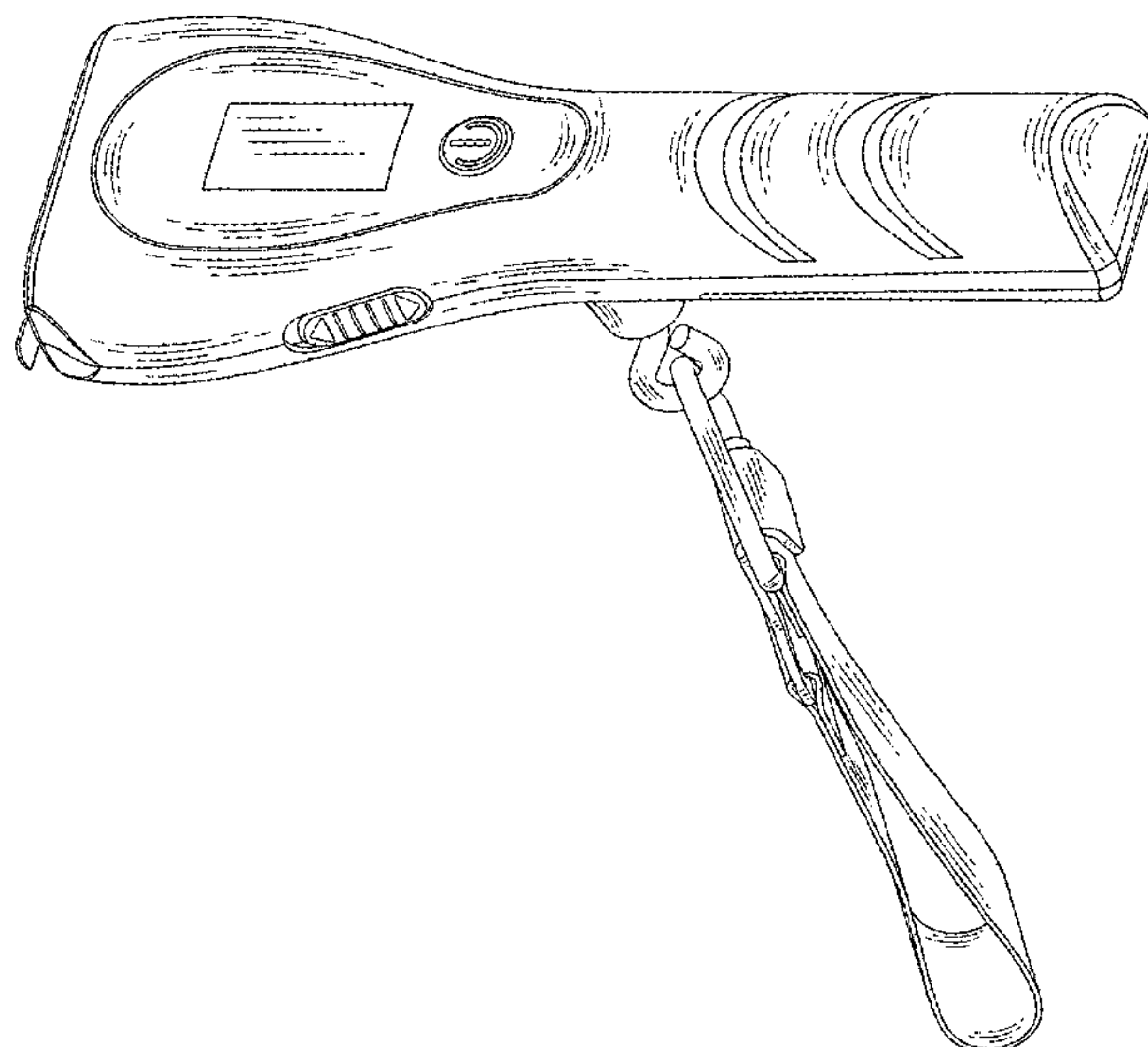
(57) **CLAIM**

The ornamental design for a portable electronic scale, as shown and described.

DESCRIPTION

FIG. 1 is a perspective view of a portable electronic scale showing my new design;
FIG. 2 is a front elevation view thereof;
FIG. 3 is a rear elevation view thereof;
FIG. 4 is a left side elevation view thereof;
FIG. 5 is a right side elevation view thereof;
FIG. 6 is a top plan view thereof; and,
FIG. 7 is a bottom plan view thereof.
The broken lines in the drawings depict portions of the portable electronic scale that form no part of the claimed design.

1 Claim, 7 Drawing Sheets



(56)

References Cited

U.S. PATENT DOCUMENTS

2011/0186357 A1* 8/2011 Sheikh G01G 19/58
 177/148
 2013/0043080 A1* 2/2013 Kritzler A45C 13/28
 177/132

FOREIGN PATENT DOCUMENTS

CN 306038904 * 9/2020
 CN 306477037 * 10/2020
 CN 306728900 * 1/2021
 GB 6080599 * 1/2020

OTHER PUBLICATIONS

Luxebell Store, Digital Luggage Scale Gift, Date first available Oct. 8, 2014, [online]retrieved Dec. 9, 2021 ,available from https://www.amazon.com/Luxebell-110lbs-Digital-Luggage-Scale/dp/B00O9R7DIW/ref=sr_1_3_sspa?crid=3LBLZWJ7ACISY&keywords=lug (Year: 2014).*

Smart Weigh Store, Digital Portable Luggag Scale, Date first available Mar. 4, 2014, [online]retrieved Dec. 9, 2021,available from https://www.amazon.com/dp/B00ISDG4O2/ref=sspa_dk_detail_1?psc=1p13NParams&spLa=ZW5jcnlwdGVkUXVhbGlmaWVyPUExMEIaVUNGOTFGUjVYJmVuY3J5cHRIZEIkPUEwODY2NDQyMzI2VU1JN0hQUklCNiZlbnN (Year: 2014).*

Pack all Store, 110 Lbs Luggage Scale, Date first available Jan. 30, 2021, [online]retrieved Dec. 9, 2021 ,available from https://www.amazon.com/dp/B08VD48JBL/ref=sspa_dk_detail_0?pd_rd_w=6IZIh&pf_rd_p=9fd3ea7c-b77c-42ac-b43b-c872d3f37c38&pd_rd_wg=x7guY&pf_rd_r=YTENZE2WHRY3ET91GQSKS&pd_rd_r=e583ddbba-3101 (Year: 2021).*

* cited by examiner

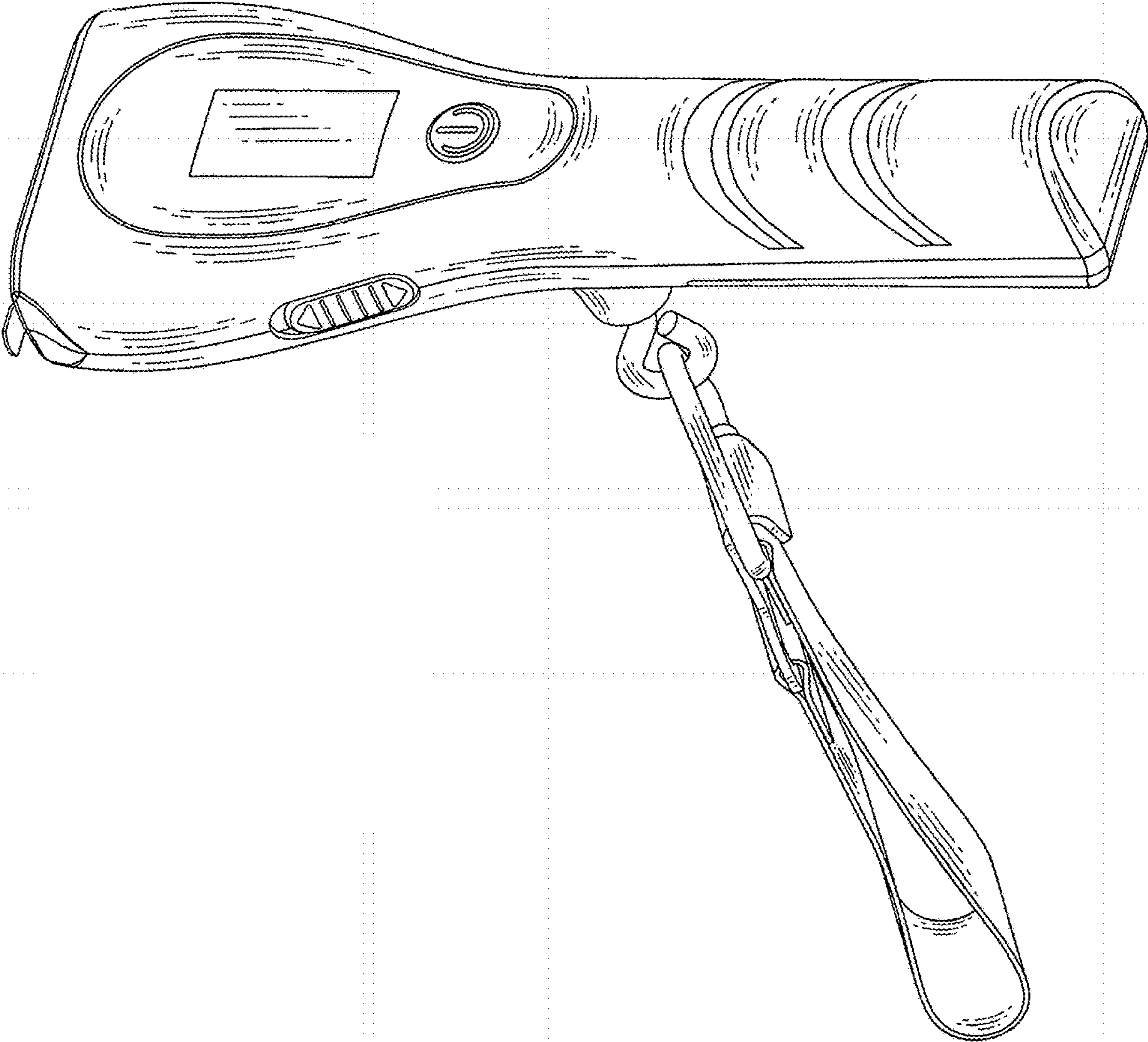


FIG. 1

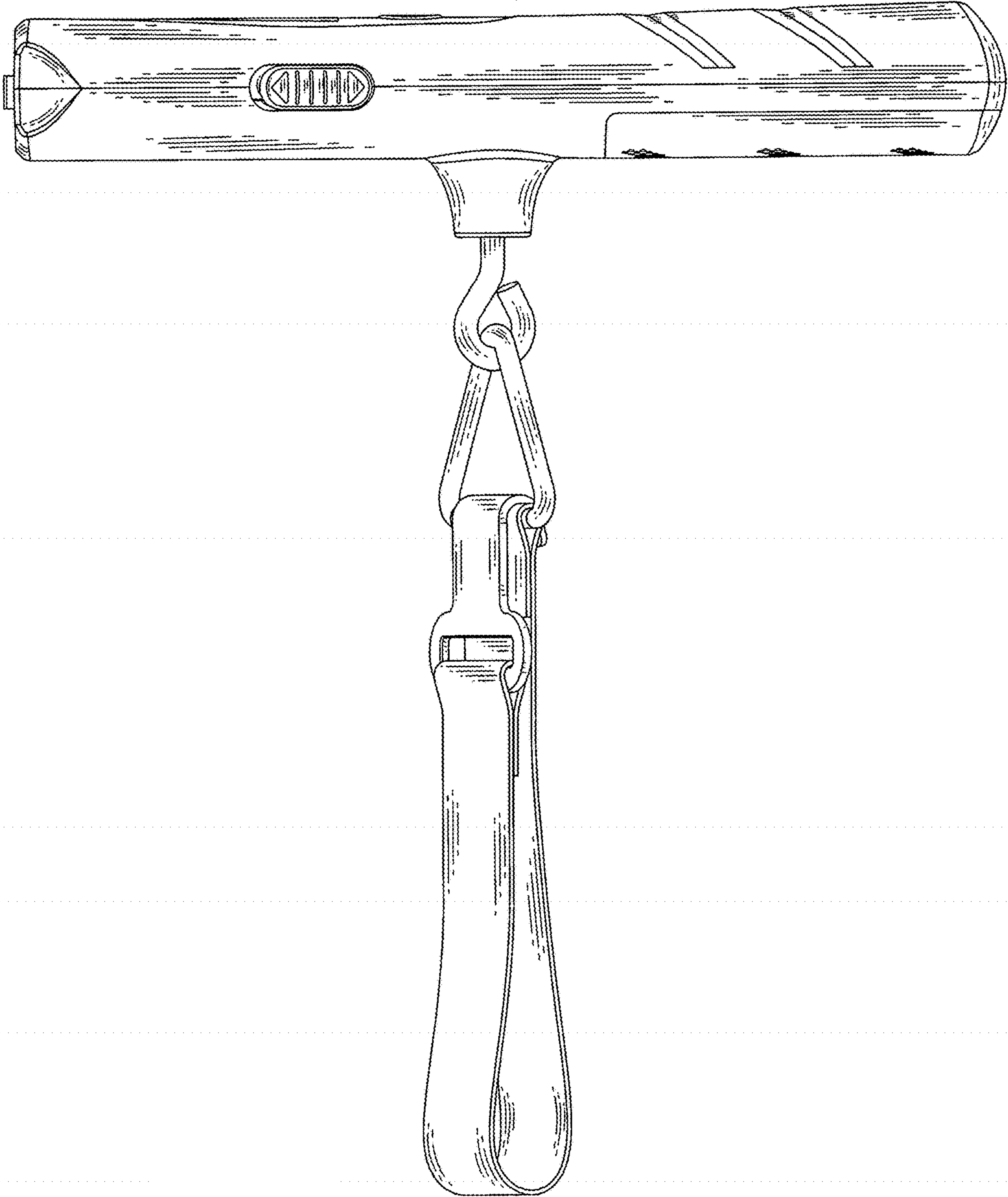


FIG. 2

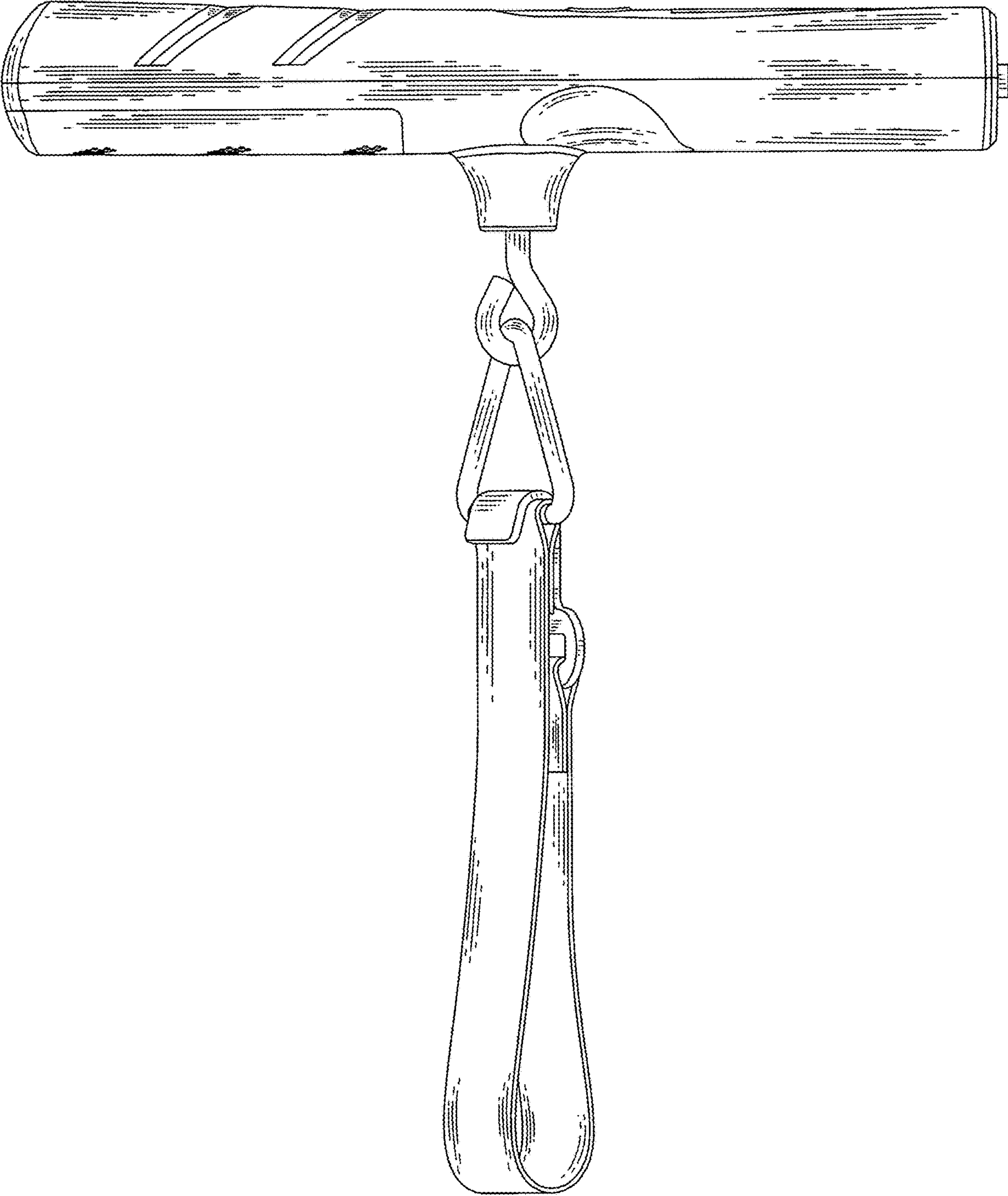


FIG. 3

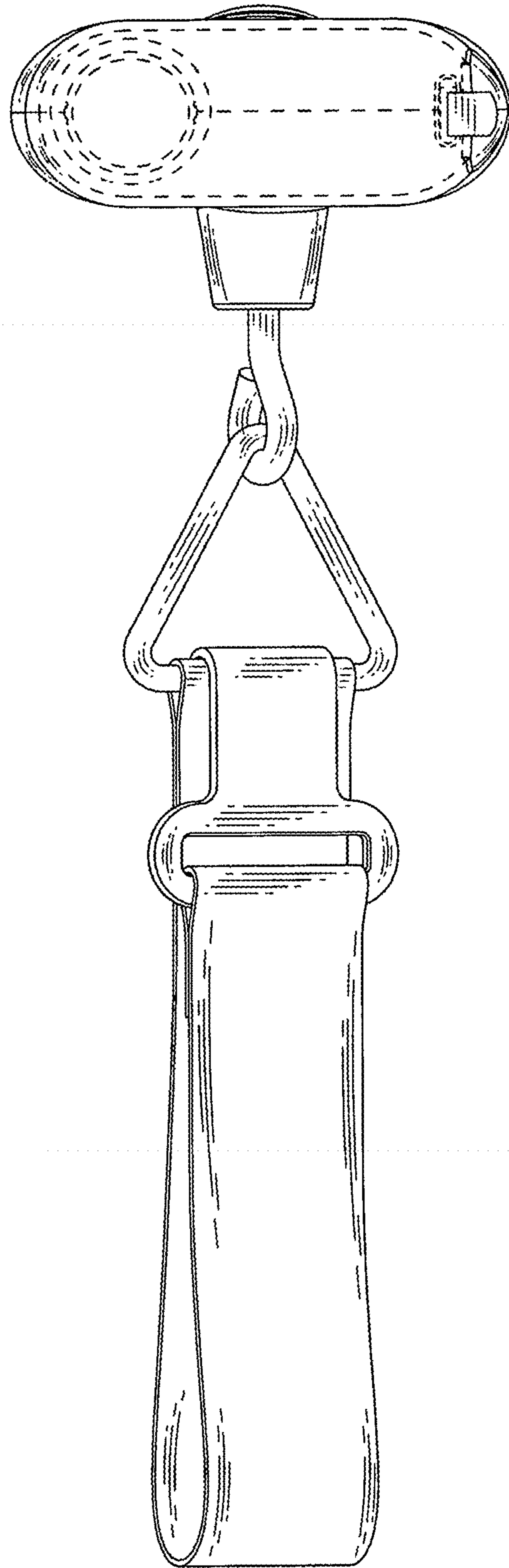


FIG. 4

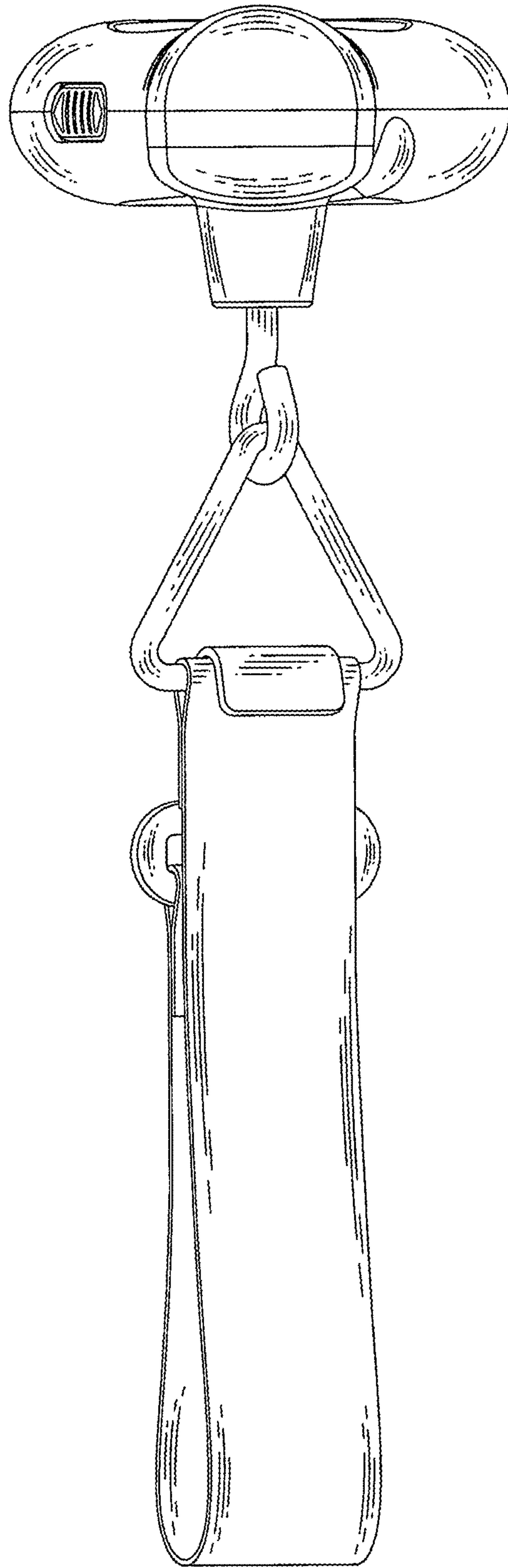


FIG. 5

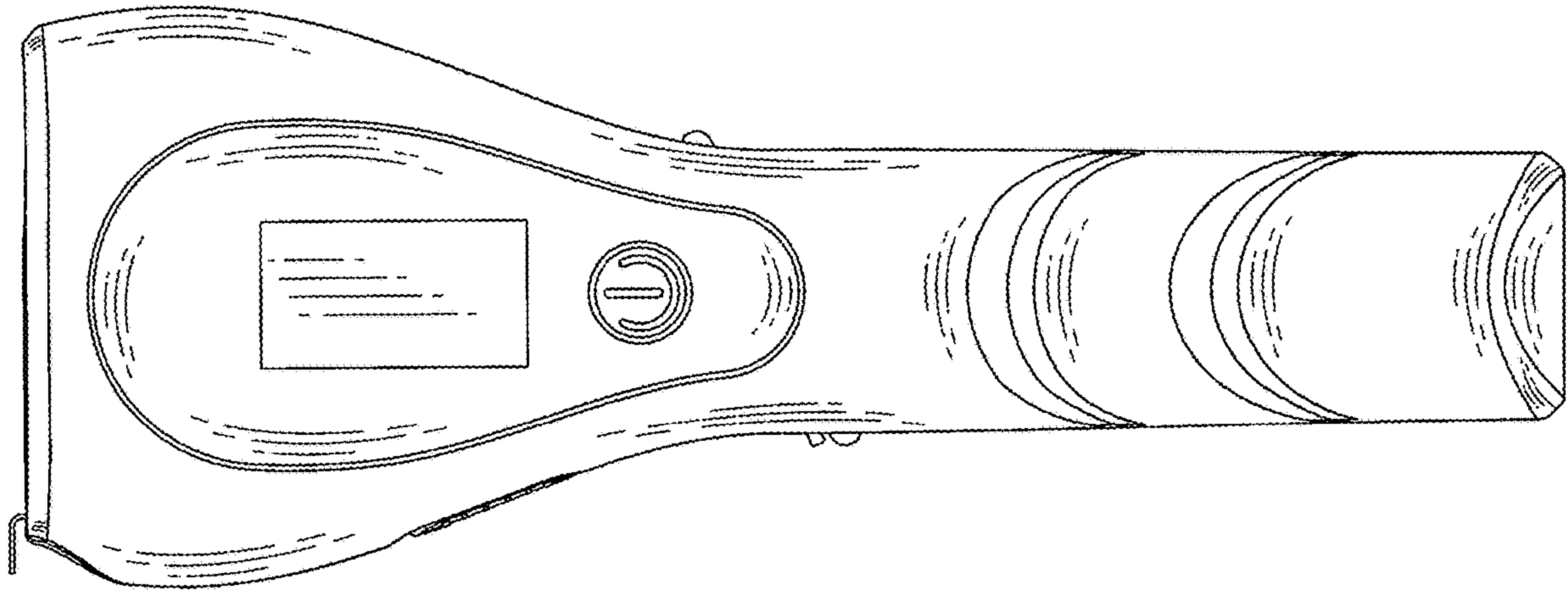


FIG. 6

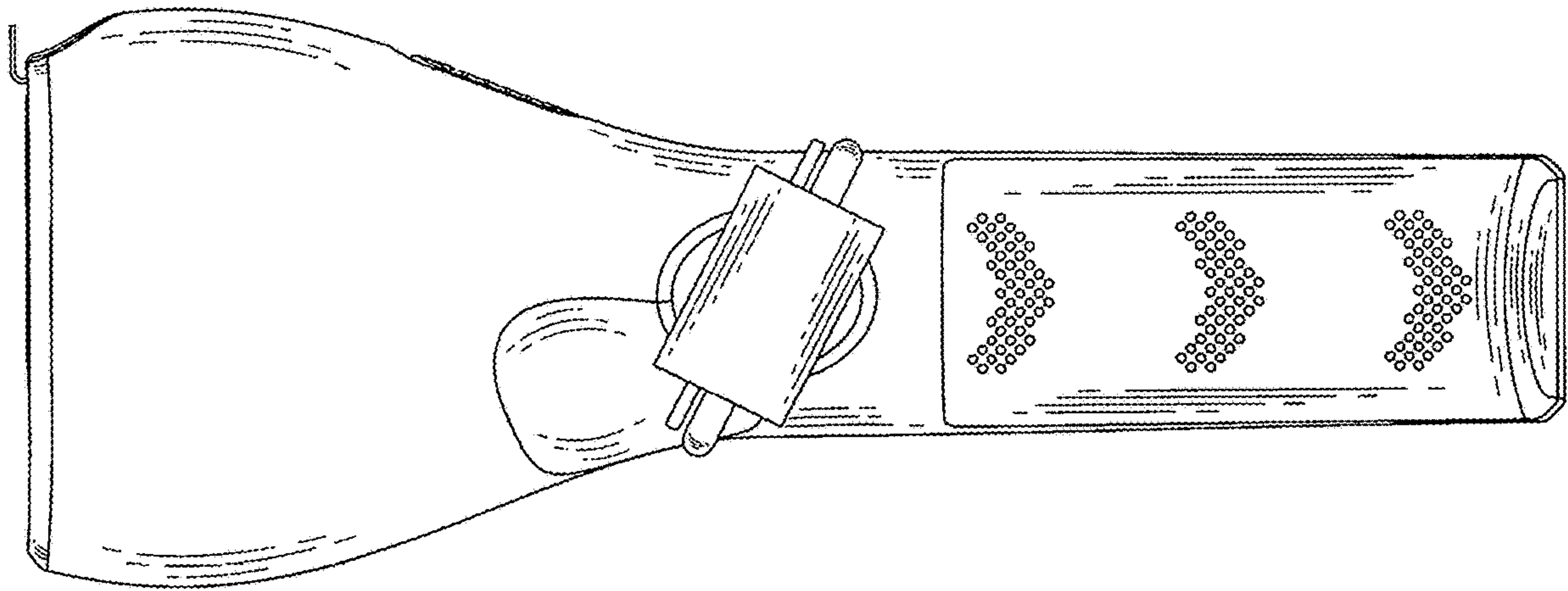


FIG. 7