



US00D959305S

(12) **United States Design Patent**
Li et al.

(10) **Patent No.:** **US D959,305 S**

(45) **Date of Patent:** **** Aug. 2, 2022**

(54) **LIDAR**

(71) Applicant: **HESAI TECHNOLOGY CO., LTD.**,
Shanghai (CN)

(72) Inventors: **Jiasheng Li**, Shanghai (CN); **Xuqian Jiang**, Shanghai (CN); **Chao Zhang**, Shanghai (CN); **Shan Li**, Shanghai (CN); **Shaoqing Xiang**, Shanghai (CN)

(73) Assignee: **HESAI TECHNOLOGY CO., LTD.**,
Shanghai (CN)

(**) Term: **15 Years**

(21) Appl. No.: **29/733,010**

(22) Filed: **Apr. 29, 2020**

(30) **Foreign Application Priority Data**

Oct. 31, 2019 (CN) 201930597143.9

(51) **LOC (13) Cl.** **10-04**

(52) **U.S. Cl.**
USPC **D10/70**

(58) **Field of Classification Search**
USPC D10/70, 78, 75, 65, 81; D14/204, 496,
D14/163, 158, 188, 168; D13/133;
D16/203; D30/108
CPC G01N 33/84; G01N 2201/06113; G01N
21/55; Y10T 436/179228; G01S 7/497;
G01S 17/894; G01S 7/487; G01S 7/4815
See application file for complete search history.

(56) **References Cited**

U.S. PATENT DOCUMENTS

D226,847 S * 5/1973 King D24/232
D439,498 S * 3/2001 Hennig D24/140
D792,374 S * 7/2017 Kim D14/204

D893,592 S * 8/2020 Ishida D18/19
D922,221 S * 6/2021 Matsumoto D10/50
D935,915 S * 11/2021 Ding D10/70
D938,839 S * 12/2021 Li D10/70
D939,366 S * 12/2021 Tian D10/70
2018/0081063 A1 * 3/2018 Justice G01S 7/4814
2018/0217240 A1 * 8/2018 Qiu G01S 7/4815
2019/0098233 A1 * 3/2019 Gassend H04N 5/2353
2019/0353762 A1 * 11/2019 Kim G01S 7/4817
2020/0150237 A1 * 5/2020 Qiu G01S 17/931
2020/0209367 A1 * 7/2020 Qiu G01S 7/4863
2020/0333461 A1 * 10/2020 Guo G02B 26/10
2020/0379096 A1 * 12/2020 Zhou G01S 7/497
2021/0011164 A1 * 1/2021 Sadek G08G 1/0133
2021/0048515 A1 * 2/2021 Zhou G01S 7/487
2021/0190918 A1 * 6/2021 Li G01S 7/4815
2021/0208253 A1 * 7/2021 Takashima G01S 7/4817
2021/0208275 A1 * 7/2021 Dai G01S 17/89
2021/0215798 A1 * 7/2021 Pandit G01S 17/931
2021/0356566 A1 * 11/2021 Wang G01S 7/489

* cited by examiner

Primary Examiner — George D. Kirschbaum

Assistant Examiner — Antoinette Martine Suiter

(74) *Attorney, Agent, or Firm* — Magstone Law, LLP;
Enshan Hong

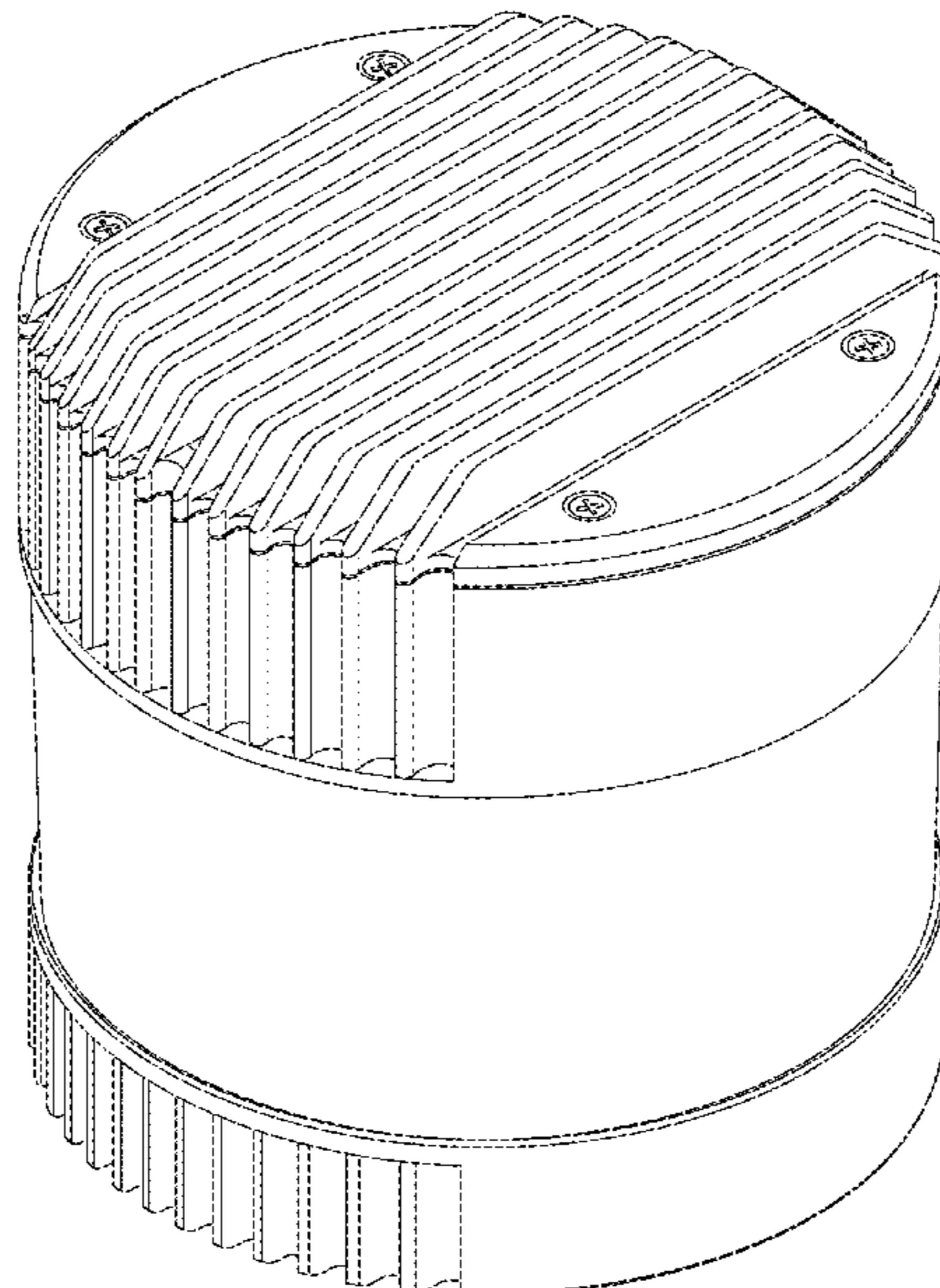
(57) **CLAIM**

The ornamental design for a lidar, as shown and described.

DESCRIPTION

FIG. 1 is a front view of a lidar showing my new design;
FIG. 2 is a back view thereof;
FIG. 3 is a left view thereof;
FIG. 4 is a right view thereof;
FIG. 5 is a top view thereof;
FIG. 6 is a bottom view thereof; and,
FIG. 7 is a perspective view thereof.
The broken lines depict portions of the article that form no part of the claimed design.

1 Claim, 7 Drawing Sheets



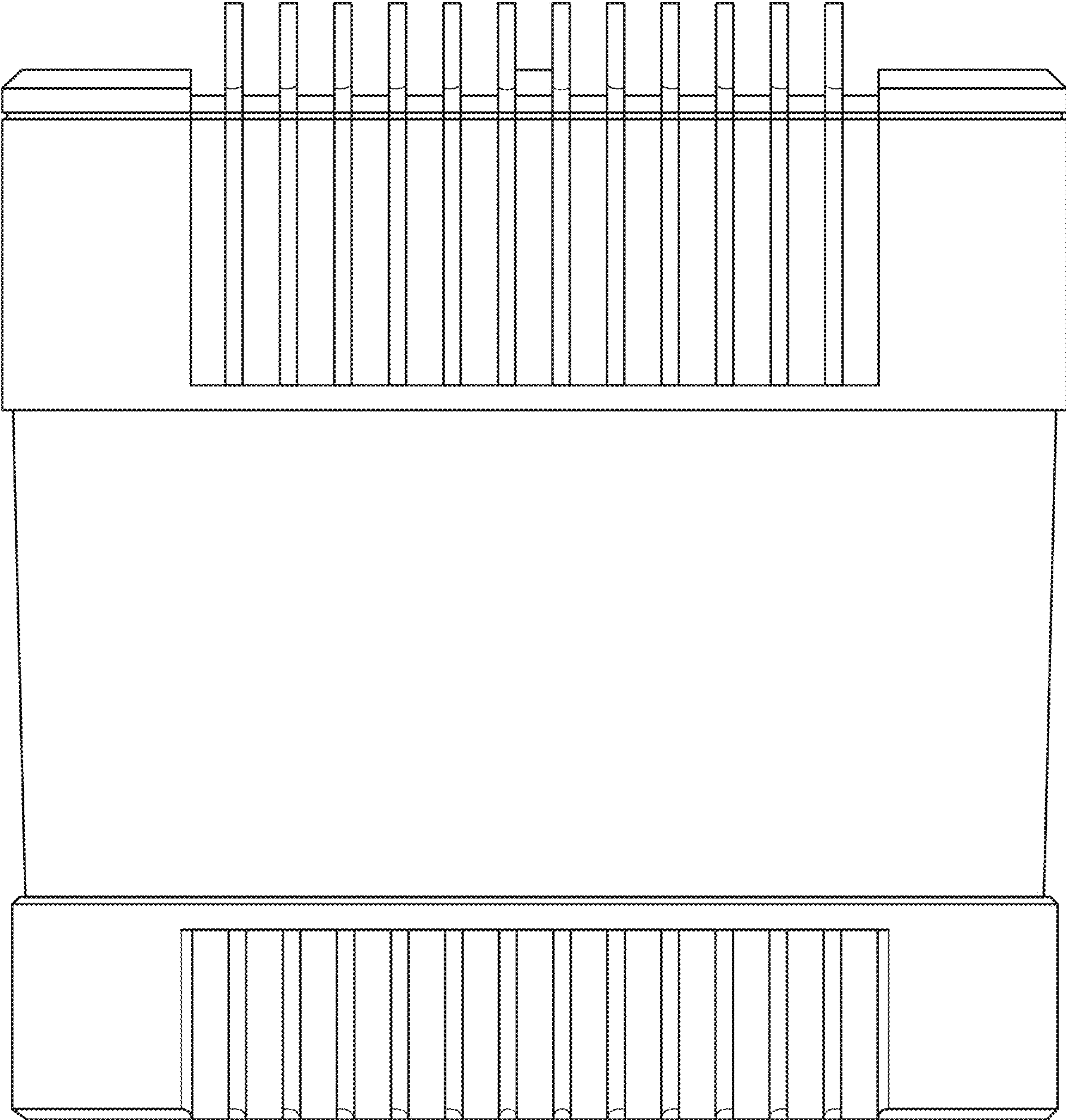


FIG. 1

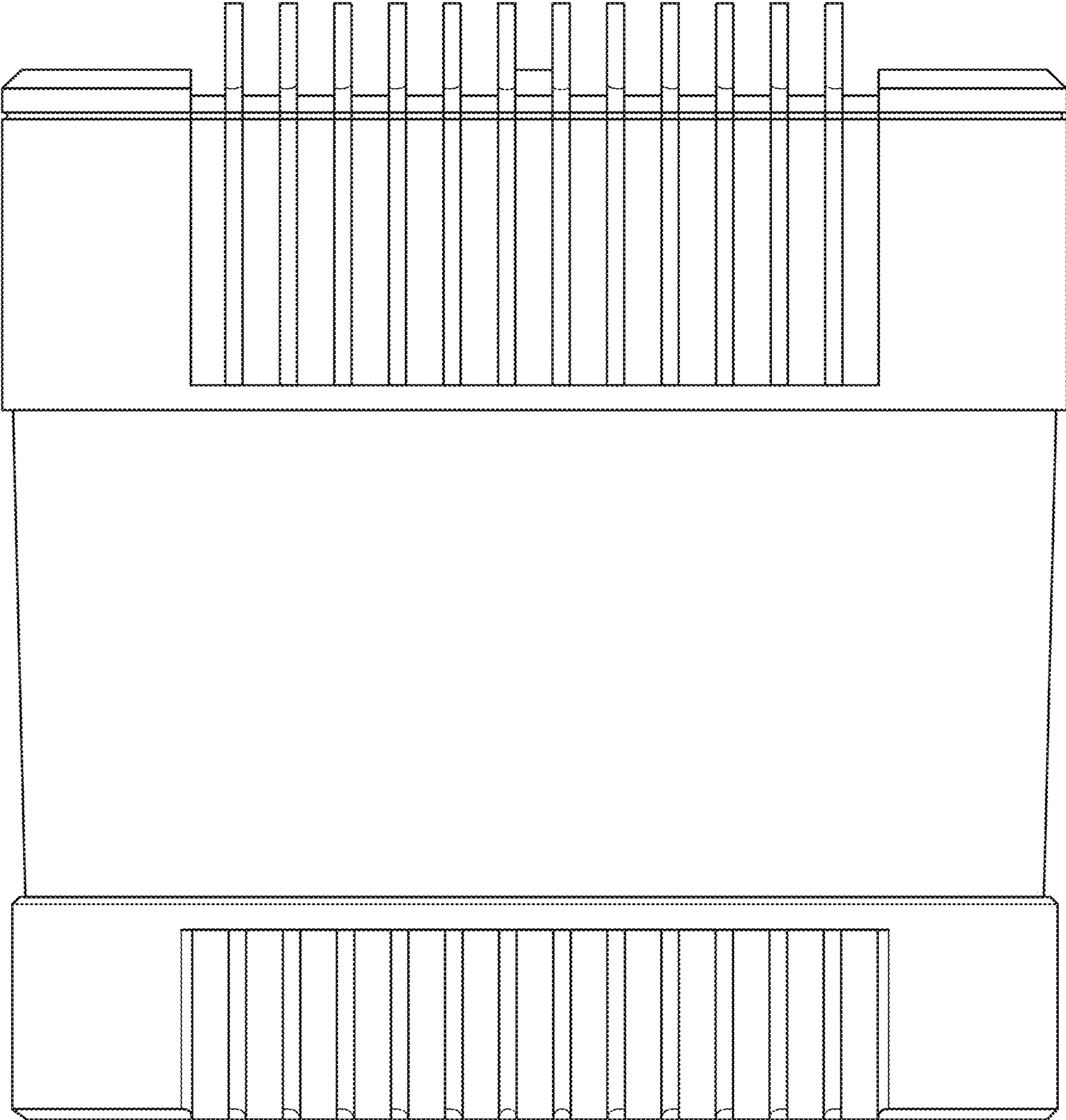


FIG. 2

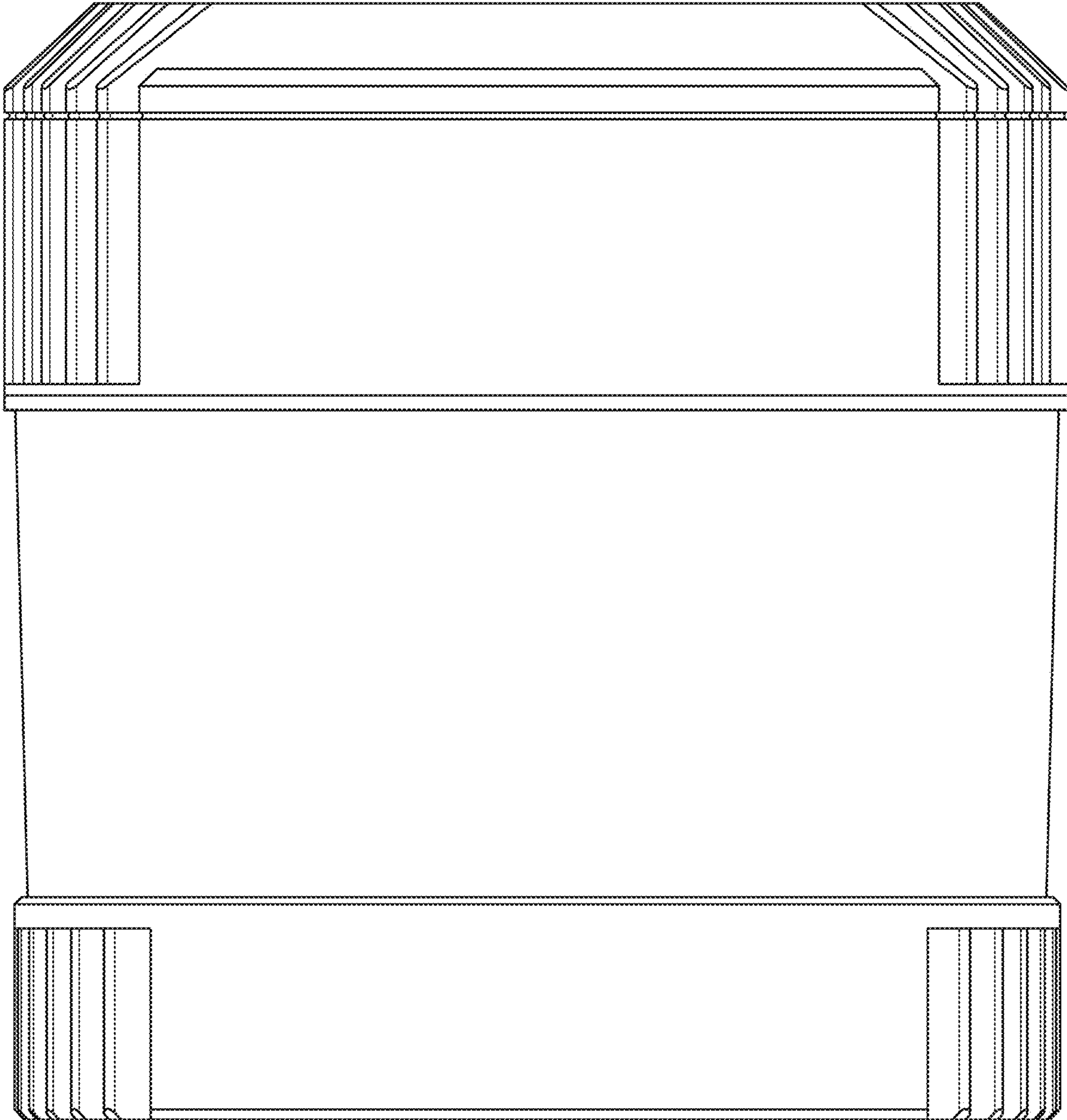


FIG. 3

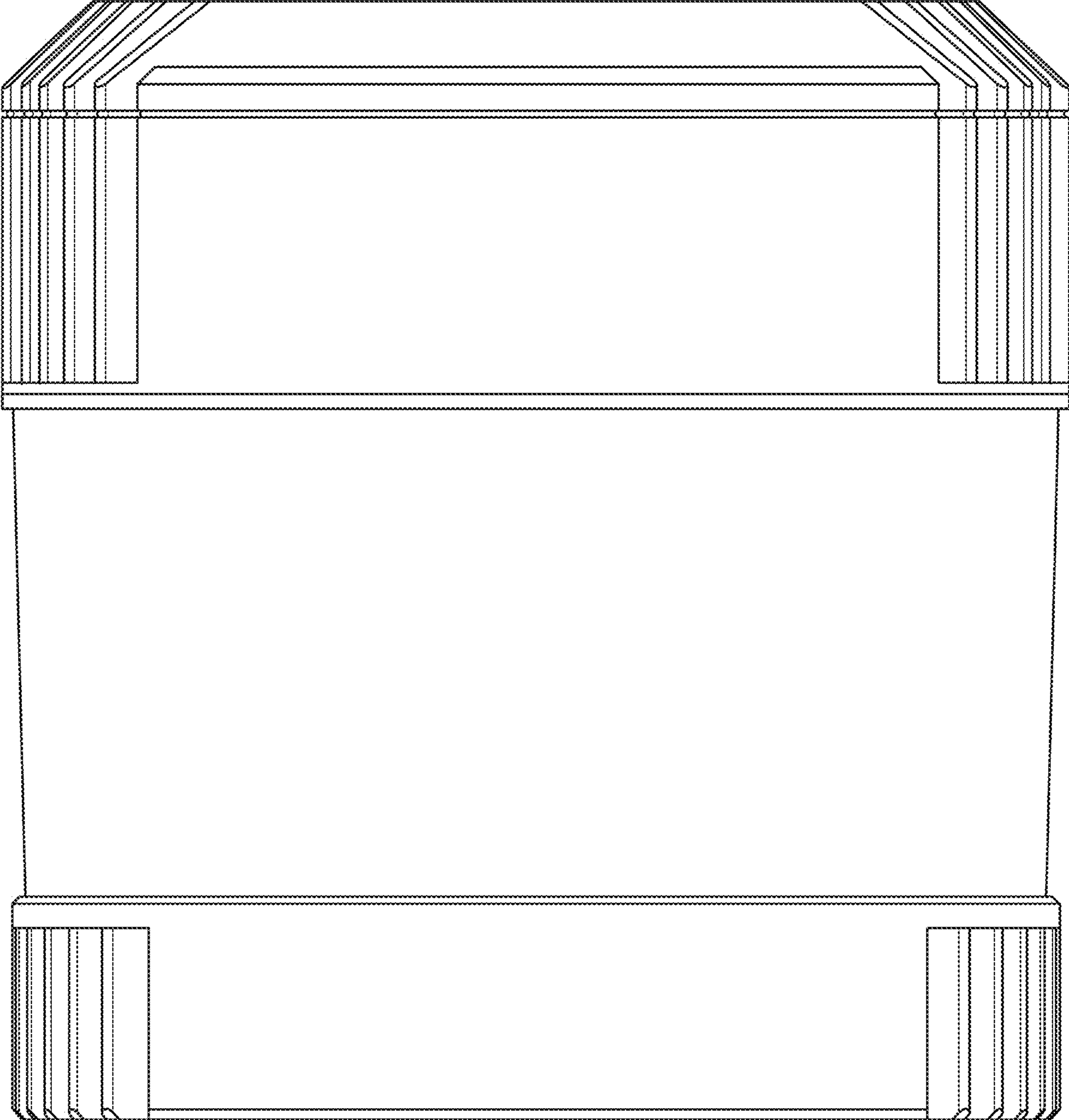


FIG. 4

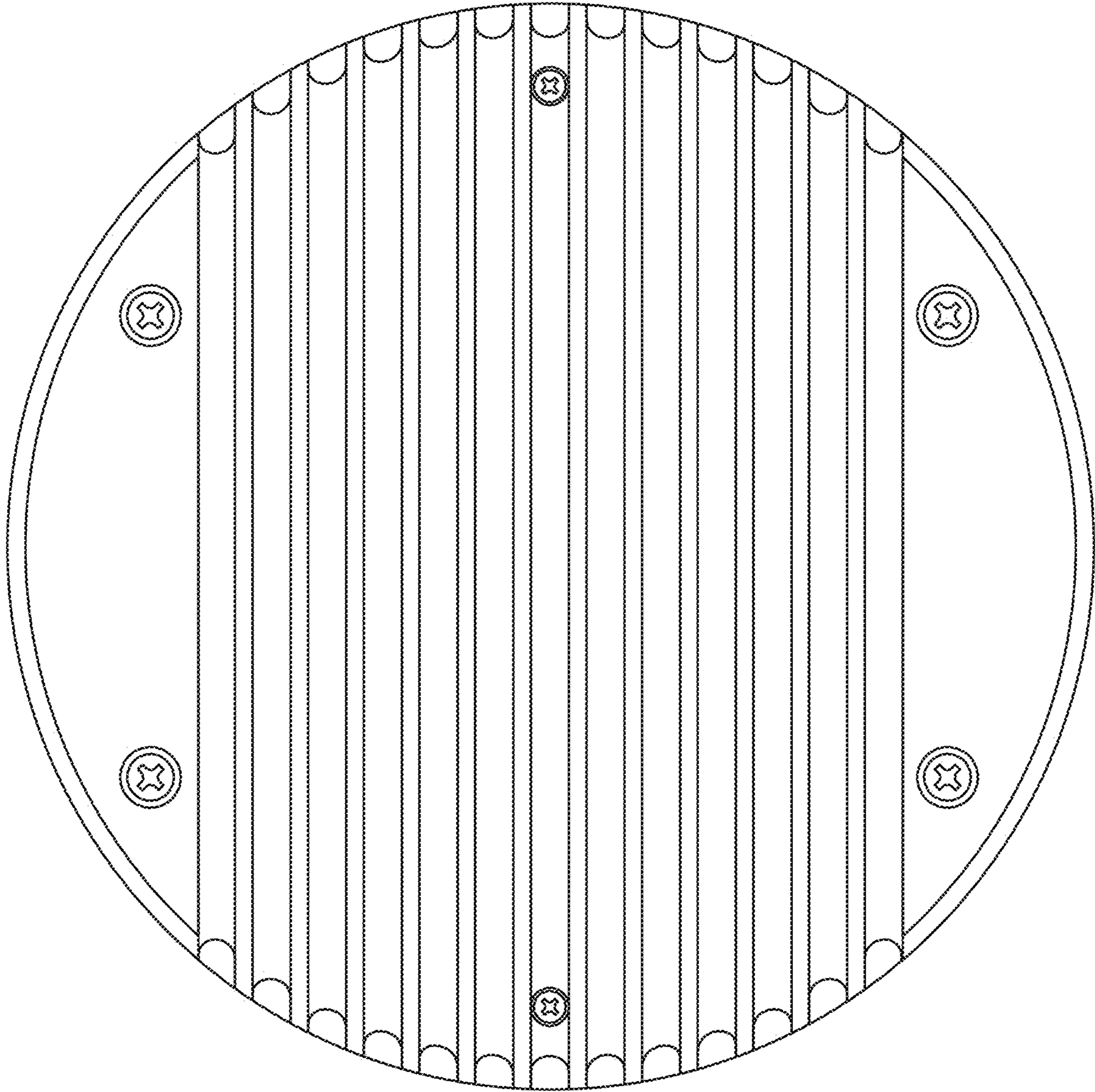


FIG. 5

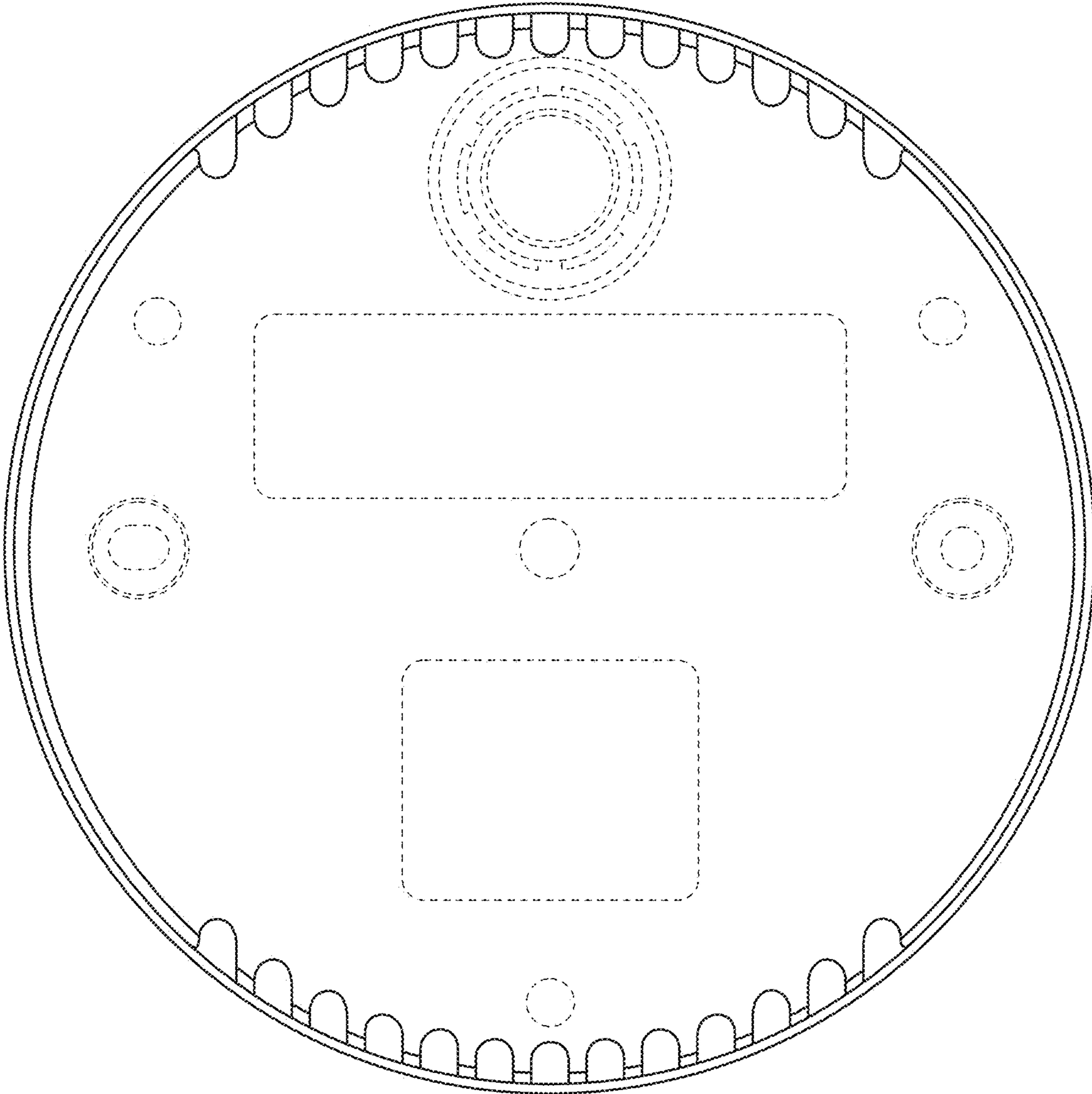


FIG. 6

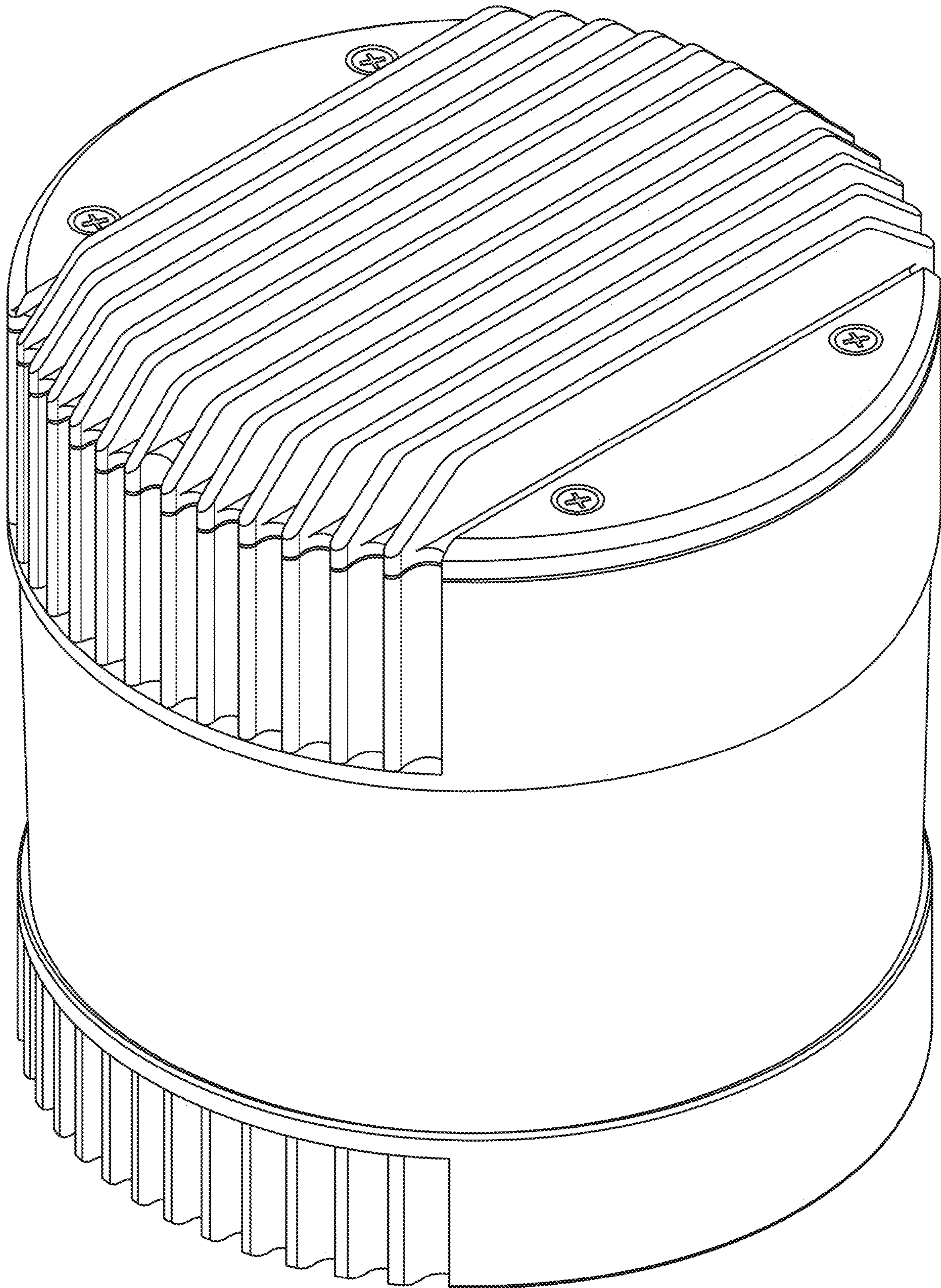


FIG. 7