

US00D959304S

(12) **United States Design Patent** (10) **Patent No.:** **US D959,304 S**  
**Baxter et al.** (45) **Date of Patent:** **\*\* Aug. 2, 2022**

(54) **LEVELING DEVICE**

(71) Applicant: **APEX BRANDS, INC.**, Apex, NC (US)  
 (72) Inventors: **Adam Baxter**, Raleigh, NC (US);  
**Sujith Sunny**, Huntersville, NC (US);  
**Bryan Washburn**, Charlotte, NC (US)  
 (73) Assignee: **APEX BRANDS, INC.**, Apex, NC (US)

(\*\*) Term: **15 Years**

(21) Appl. No.: **29/750,168**

(22) Filed: **Sep. 11, 2020**

(51) **LOC (13) Cl.** ..... **10-04**

(52) **U.S. Cl.**  
USPC ..... **D10/69**

(58) **Field of Classification Search**  
 USPC ..... D10/69  
 CPC . G01C 9/00; G01C 9/005; G01C 9/02; G01C 9/04; G01C 9/06; G01C 9/08; G01C 9/10; G01C 9/12; G01C 9/14; G01C 9/16; G01C 9/18; G01C 9/20; G01C 9/22; G01C 9/24; G01C 9/26; G01C 9/28; G01C 9/30; G01C 9/32; G01C 9/34; G01C 9/36; G01C 2009/005; G01C 2009/062; G01C 2009/064; G01C 2009/066; G01C 2009/068; G01C 2009/102; G01C 2009/105; G01C 2009/107; G01C 2009/182; G01C 2009/185; G01C 2009/187

See application file for complete search history.

(56) **References Cited**

U.S. PATENT DOCUMENTS

2,627,666 A *	2/1953	Levrero .....	G01C 9/14 33/395
D368,666 S *	4/1996	Fonte .....	G01C 9/28 D10/69
D397,948 S *	9/1998	Bowen .....	D10/69
D407,335 S *	3/1999	Bowen .....	D10/69
D499,032 S *	11/2004	Khubani .....	D10/69
D626,020 S *	10/2010	Sabaschkow .....	D10/69
2020/0232793 A1 *	7/2020	Millane .....	G01C 9/28

\* cited by examiner

*Primary Examiner* — Antoine Duval Davis

(74) *Attorney, Agent, or Firm* — Burr & Forman LLP

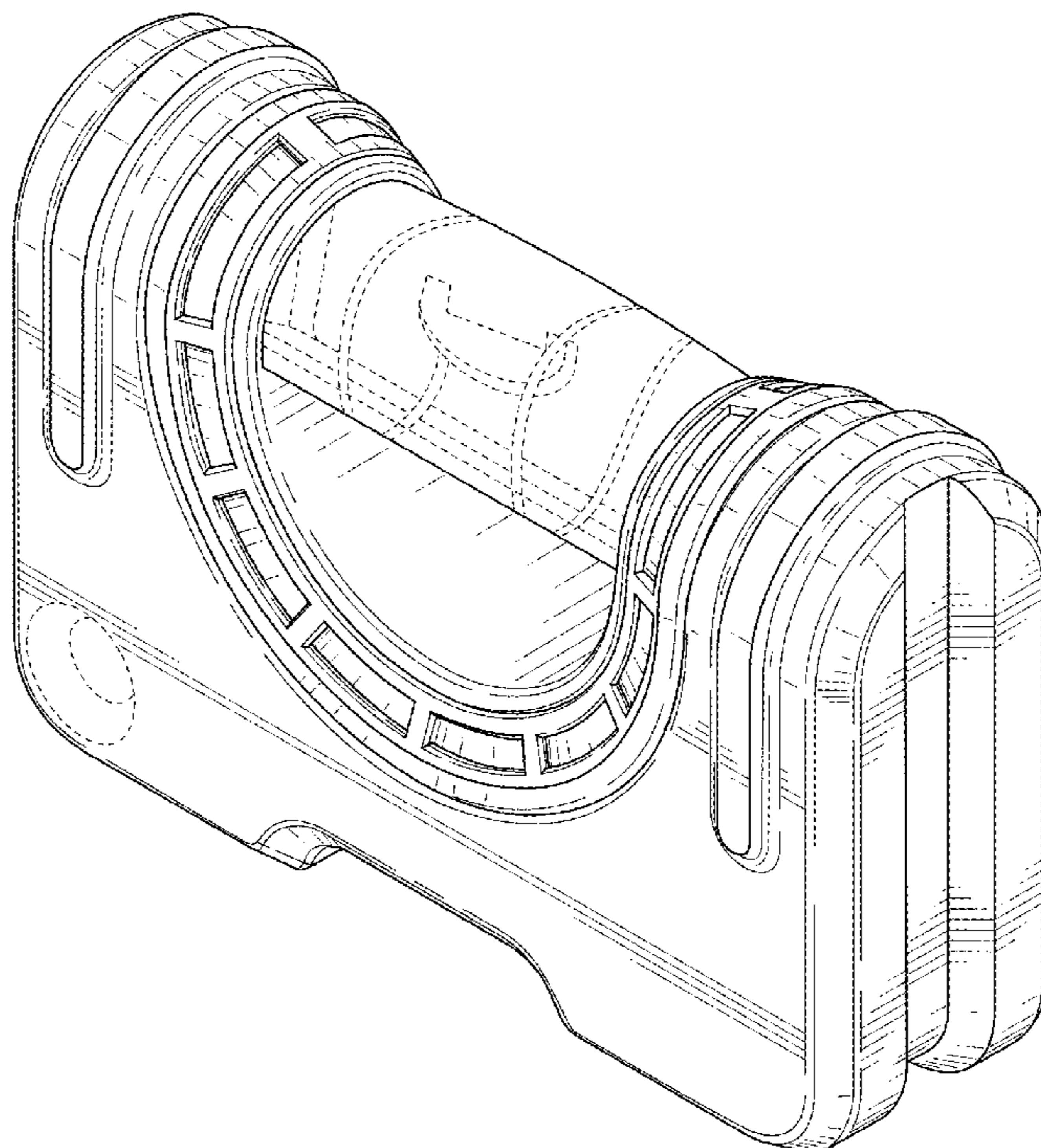
(57) **CLAIM**

The ornamental design for the leveling device, as shown and described.

**DESCRIPTION**

FIG. 1 is a perspective view of a leveling device in accordance with my invention;  
 FIG. 2 is a front view of the leveling device of FIG. 1;  
 FIG. 3 is a rear view of the leveling device of FIG. 1;  
 FIG. 4 is a left side view of the leveling device of FIG. 1;  
 FIG. 5 is a right side view of the leveling device of FIG. 1;  
 FIG. 6 is a top view of the leveling device of FIG. 1; and,  
 FIG. 7 is a bottom view of the leveling device of FIG. 1.  
 The broken lines of the leveling device in FIGS. 1-7 are illustrative of portions of the leveling device that form no part of the claimed design.

**1 Claim, 5 Drawing Sheets**



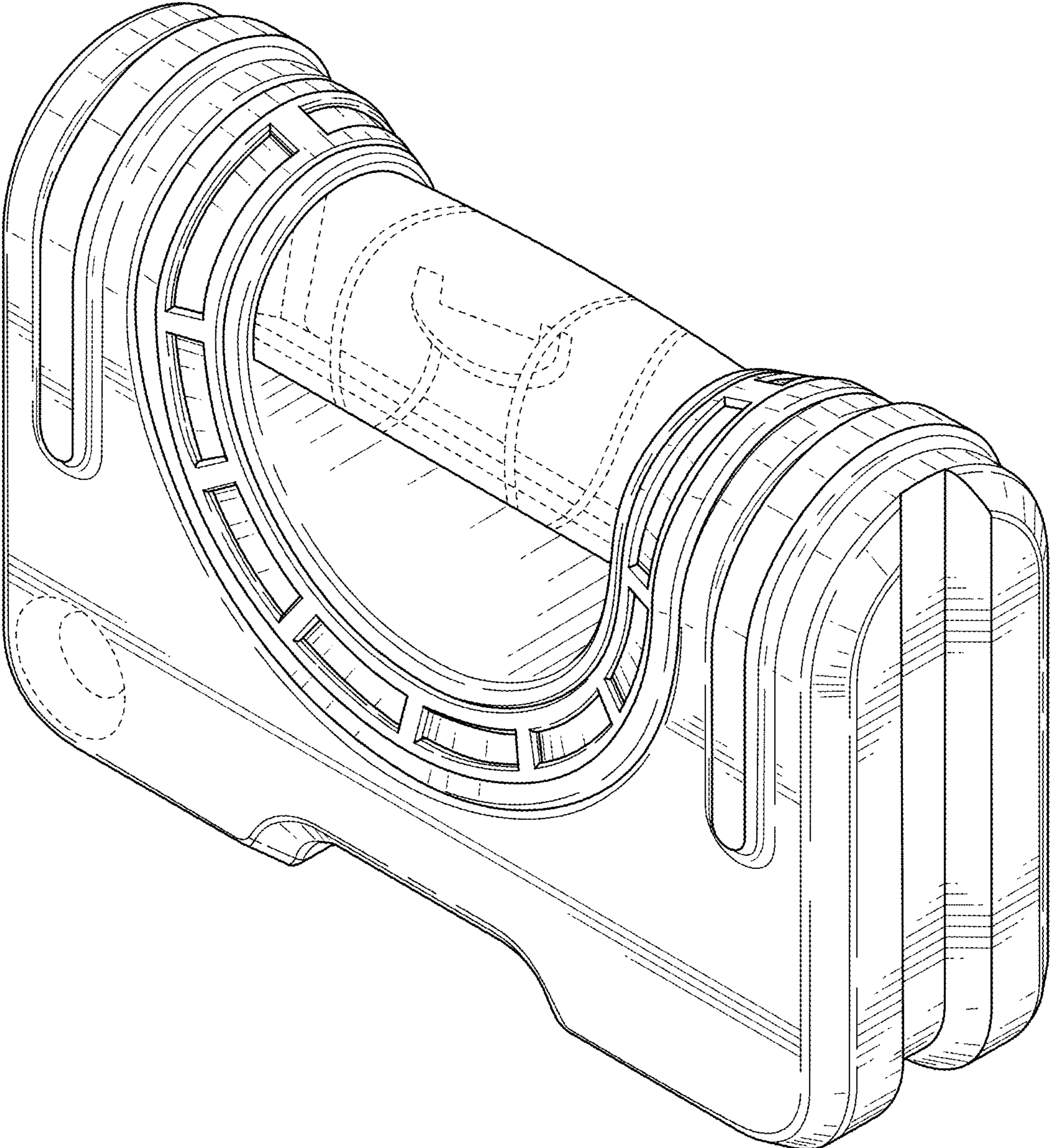


FIG. 1

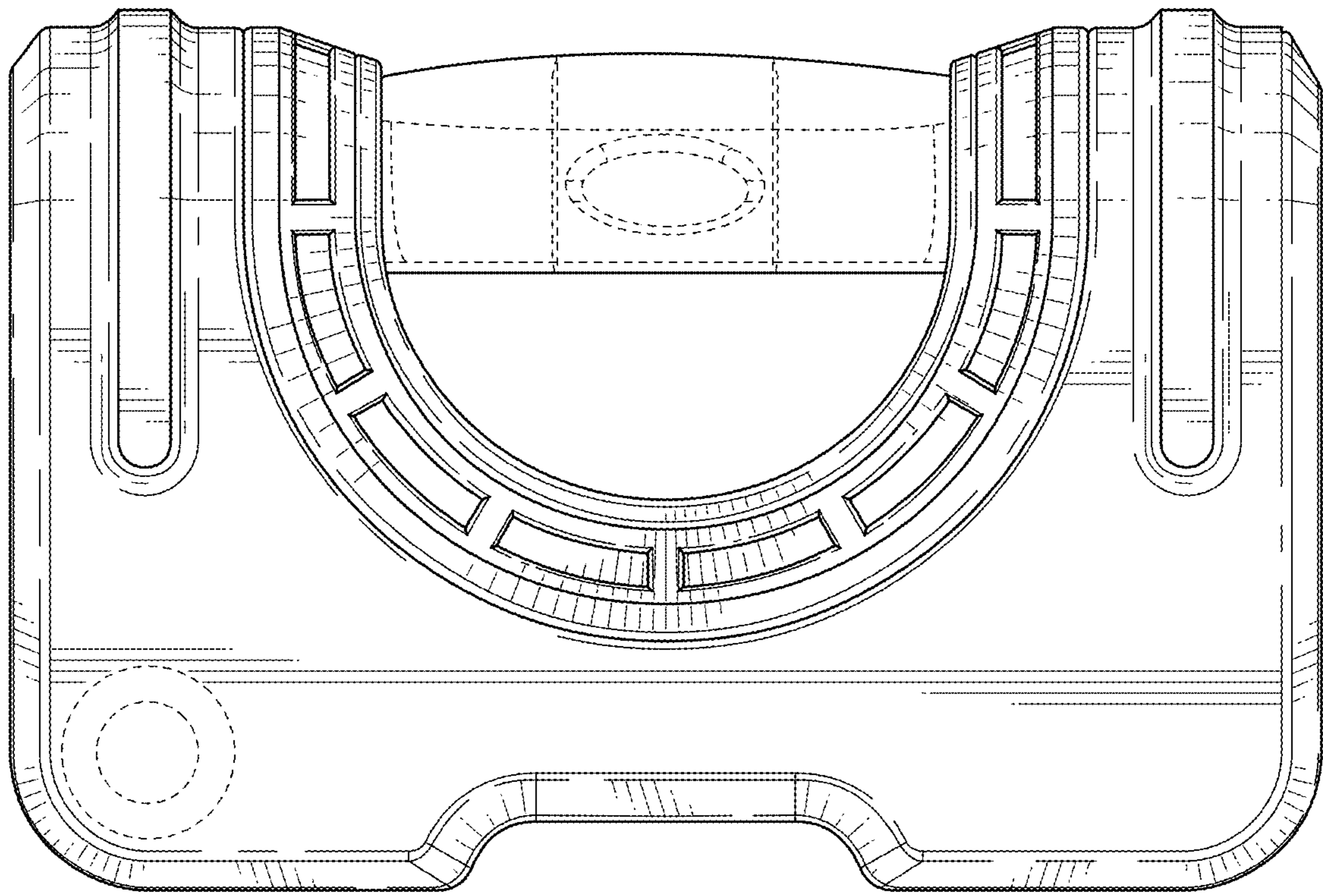


FIG. 2

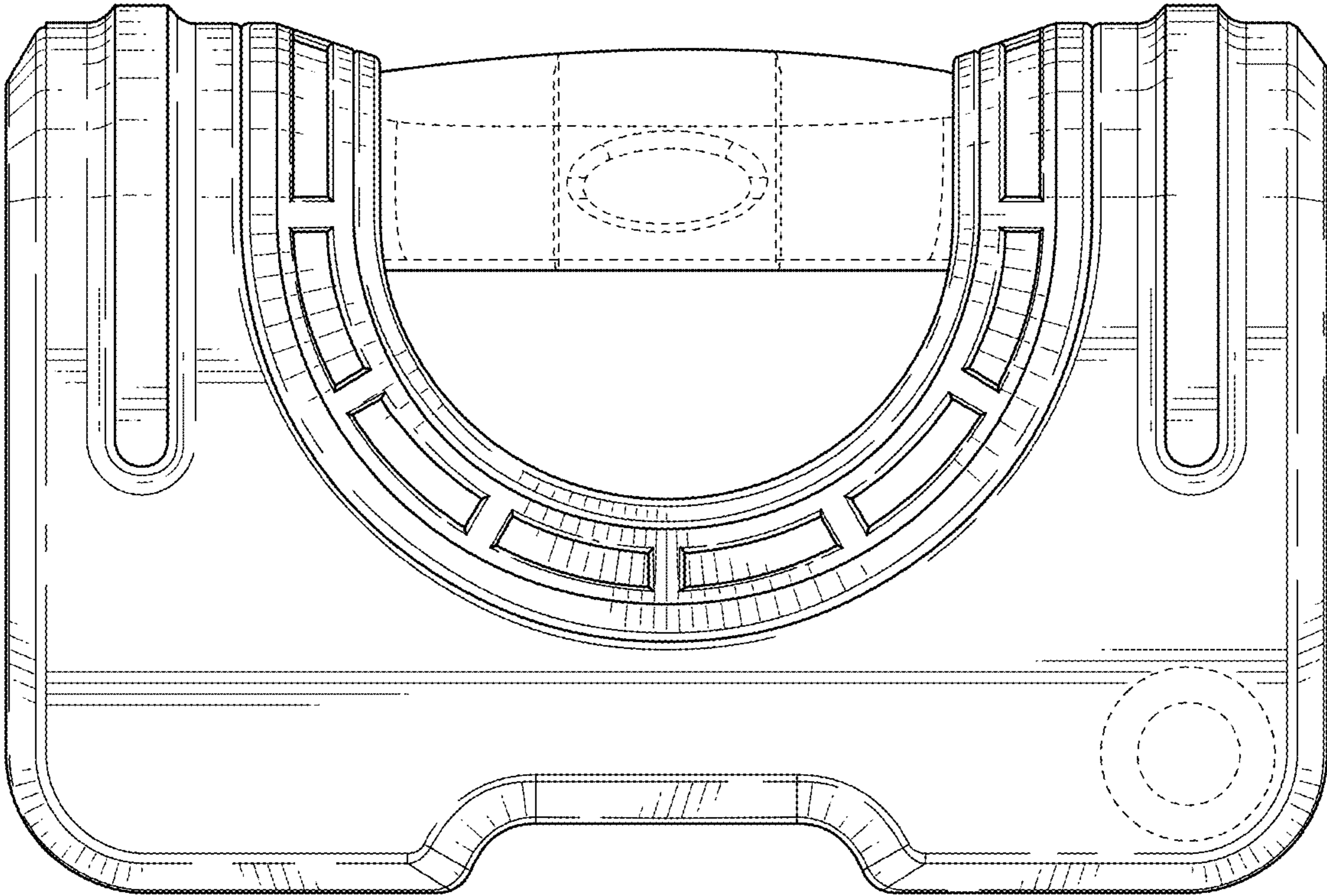


FIG. 3

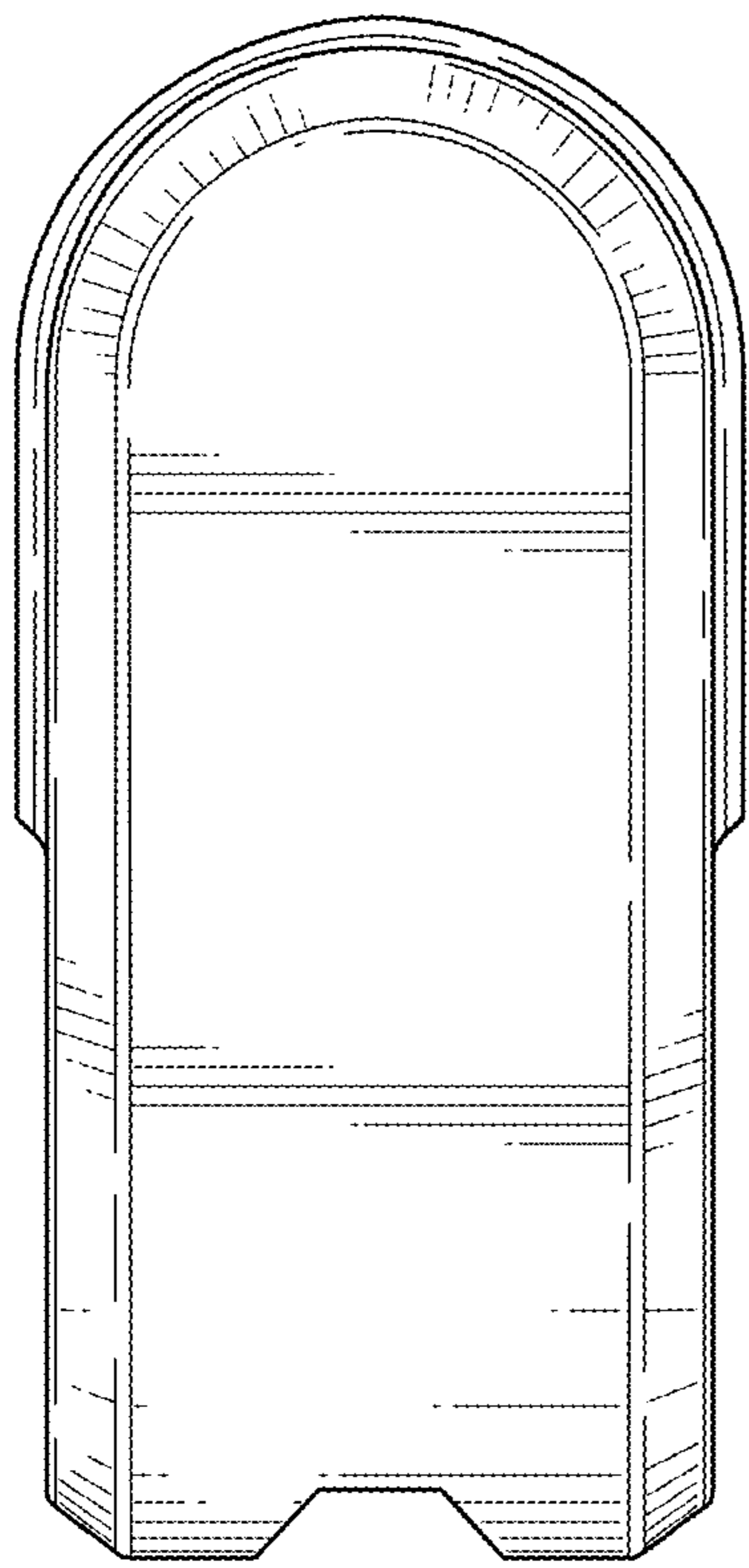


FIG. 4

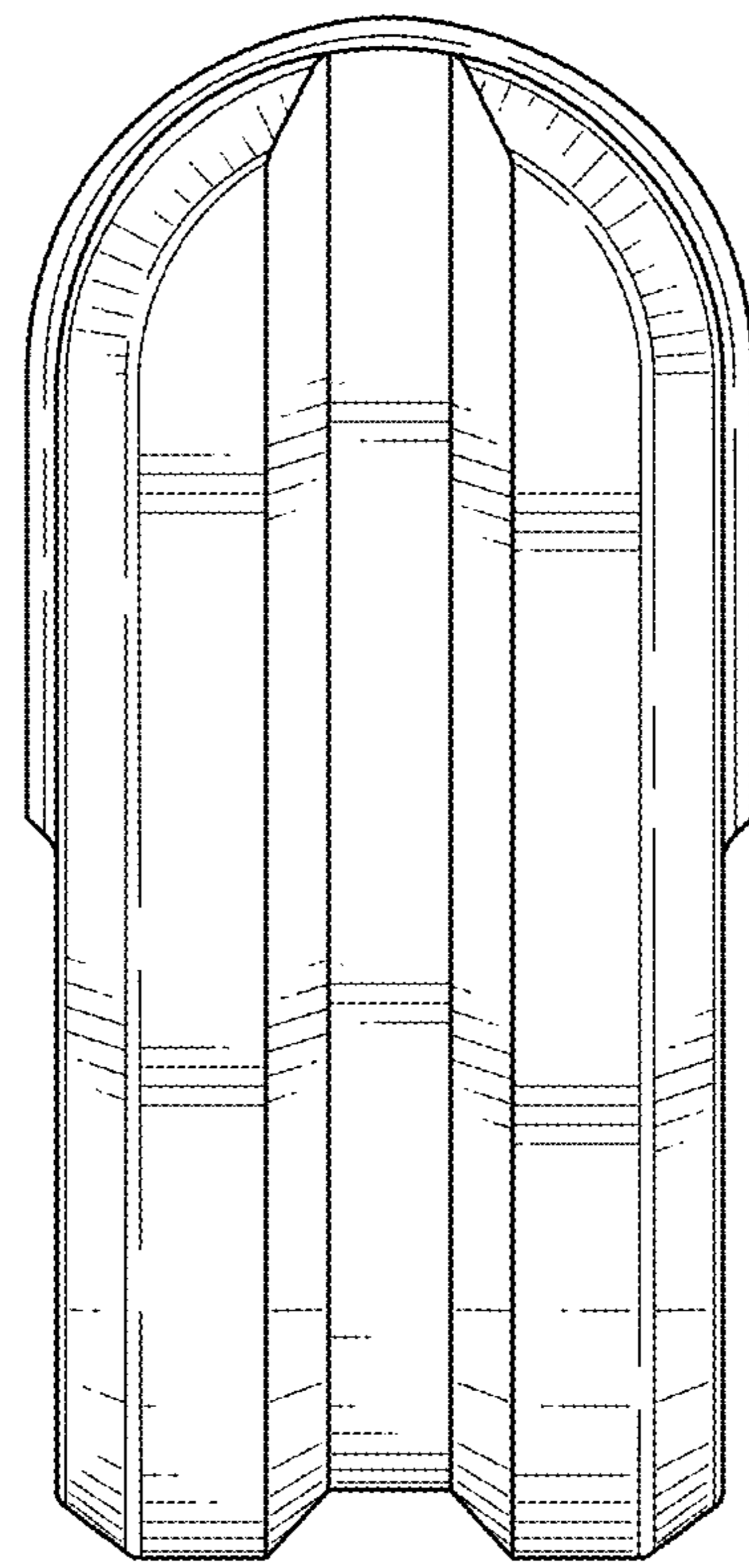


FIG. 5

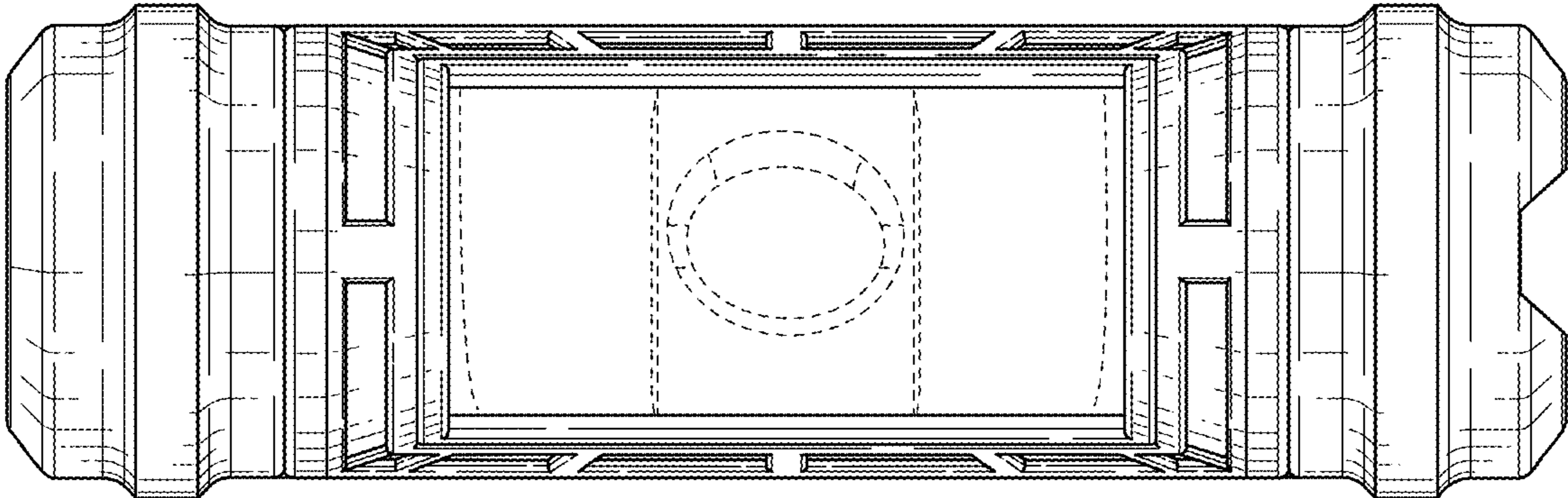


FIG. 6

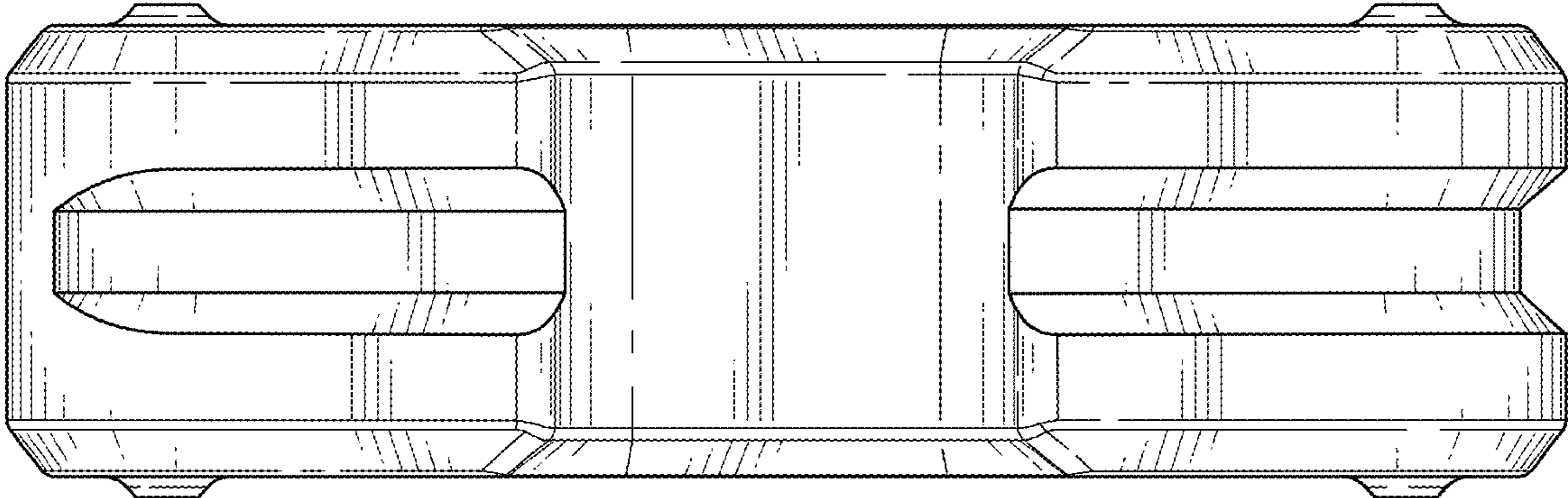


FIG. 7