



US00D959300S

(12) **United States Design Patent**
Zhang

(10) **Patent No.:** **US D959,300 S**

(45) **Date of Patent:** **** Aug. 2, 2022**

(54) **METAL DETECTOR**

(71) Applicant: **Tianqi Zhang**, Shenzhen (CN)

(72) Inventor: **Tianqi Zhang**, Shenzhen (CN)

(**) Term: **15 Years**

(21) Appl. No.: **29/761,159**

(22) Filed: **Dec. 7, 2020**

(51) **LOC (13) Cl.** **10-04**

(52) **U.S. Cl.**
USPC **D10/47**

(58) **Field of Classification Search**
USPC D10/47
CPC ... G01V 3/00; G01V 3/02; G01V 3/04; G01V 3/06; G01V 3/08; G01V 3/081; G01V 3/082; G01V 3/083; G01V 2003/084; G01V 2003/085; G01V 2003/086; G01V 3/087; G01V 3/088; G01V 3/10; G01V 3/101; G01V 3/102; G01V 3/104; G01V 3/105; G01V 3/107; G01V 3/108; G01V 3/12; G01V 3/14; G01V 3/15; G01V 3/16; G01V 3/165; G01V 3/17; G01V 3/175; G01V 3/18; G01V 3/20; G01V 3/22; G01V 3/24; G01V 3/26; G01V 3/265; G01V 3/28; G01V 3/30; G01V 3/32; G01V 3/34; G01V 3/36; G01V 3/38; G01V 3/40

See application file for complete search history.

(56) **References Cited**

U.S. PATENT DOCUMENTS

8,842,035 B2 *	9/2014	Duvoisin, III	G01S 13/86 342/22
9,021,661 B2 *	5/2015	Andel	B25G 1/04 16/429
D756,247 S *	5/2016	Pollock	G01S 13/86 D10/47

9,664,809 B2 *	5/2017	Fry	G01V 3/104
9,733,353 B1 *	8/2017	Carlson	G01S 13/885
9,864,089 B2 *	1/2018	Andel	G01V 3/15
D844,462 S *	4/2019	Griffin	D10/47
D844,463 S *	4/2019	Zhang	G01V 3/15 D10/47
D846,411 S *	4/2019	Zhang	G01S 13/885 D10/47
D867,170 S *	11/2019	Deng	D10/47
D881,034 S *	4/2020	Zhang	D10/47
D881,035 S *	4/2020	Zhang	D10/47
D881,037 S *	4/2020	Zhang	D10/47
D881,727 S *	4/2020	Deng	D10/47
D884,492 S *	5/2020	Deng	D10/47
D885,206 S *	5/2020	Deng	D10/47
D885,939 S *	6/2020	Deng	D10/47
D889,996 S *	7/2020	Qin	D10/47
D889,997 S *	7/2020	Qin	D10/47
D889,998 S *	7/2020	Qin	D10/47
D889,999 S *	7/2020	Qin	D10/47
D899,275 S *	10/2020	Ye	D10/47
10,809,411 B2 *	10/2020	Deng	G01V 3/165
D907,513 S *	1/2021	Qin	D10/47
D915,225 S *	4/2021	Deng	D10/47
D918,062 S *	5/2021	Qin	D10/47

* cited by examiner

Primary Examiner — Antoine Duval Davis

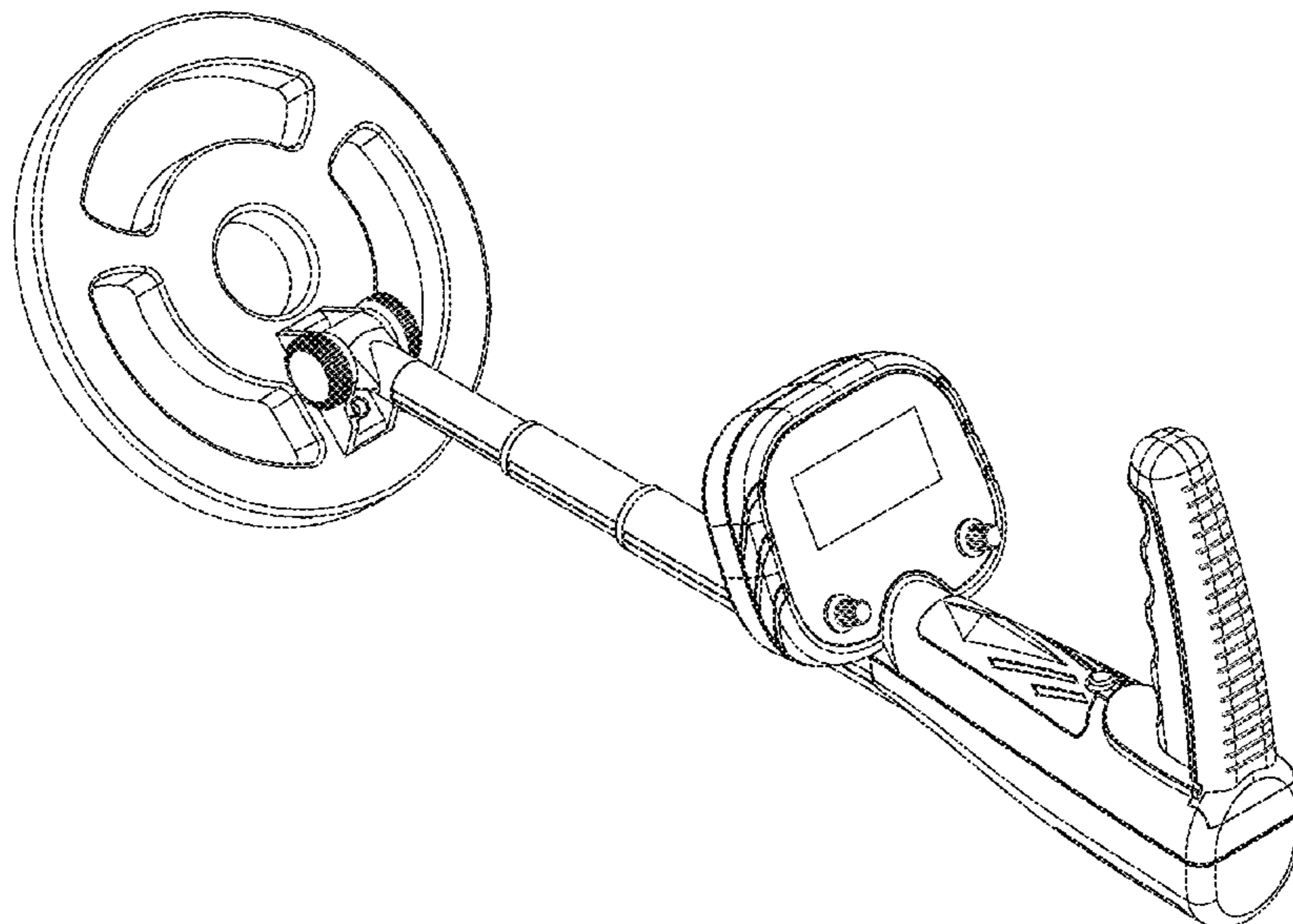
(57) **CLAIM**

The ornamental design for a metal detector, as shown and described.

DESCRIPTION

FIG. 1 is a perspective view of a metal detector showing my new design;
FIG. 2 is a left side view thereof;
FIG. 3 is a front view thereof;
FIG. 4 is a right side view thereof;
FIG. 5 is a rear view thereof;
FIG. 6 is a top plan view thereof; and,
FIG. 7 is a bottom plan view thereof.

1 Claim, 6 Drawing Sheets



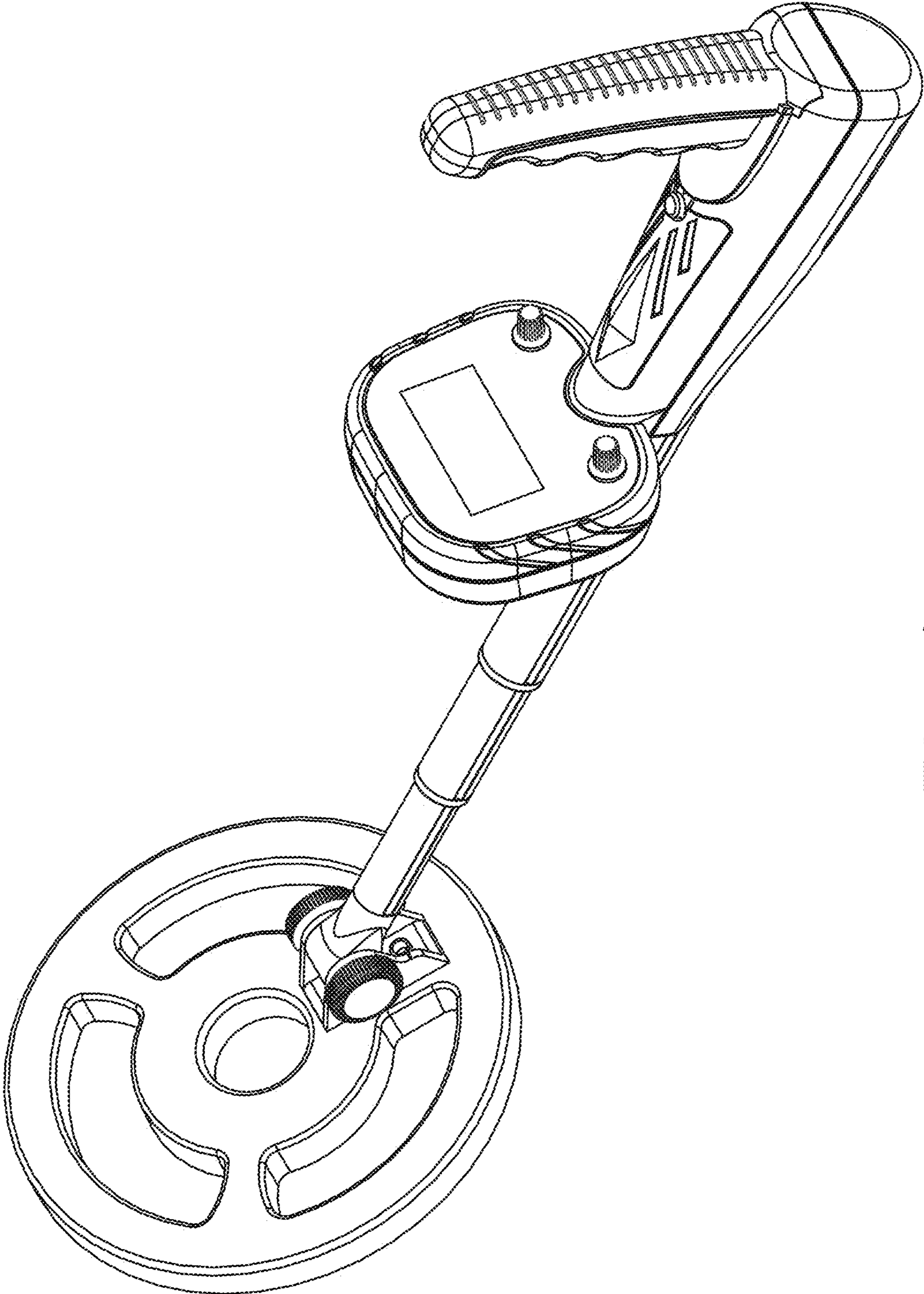


Fig. 1

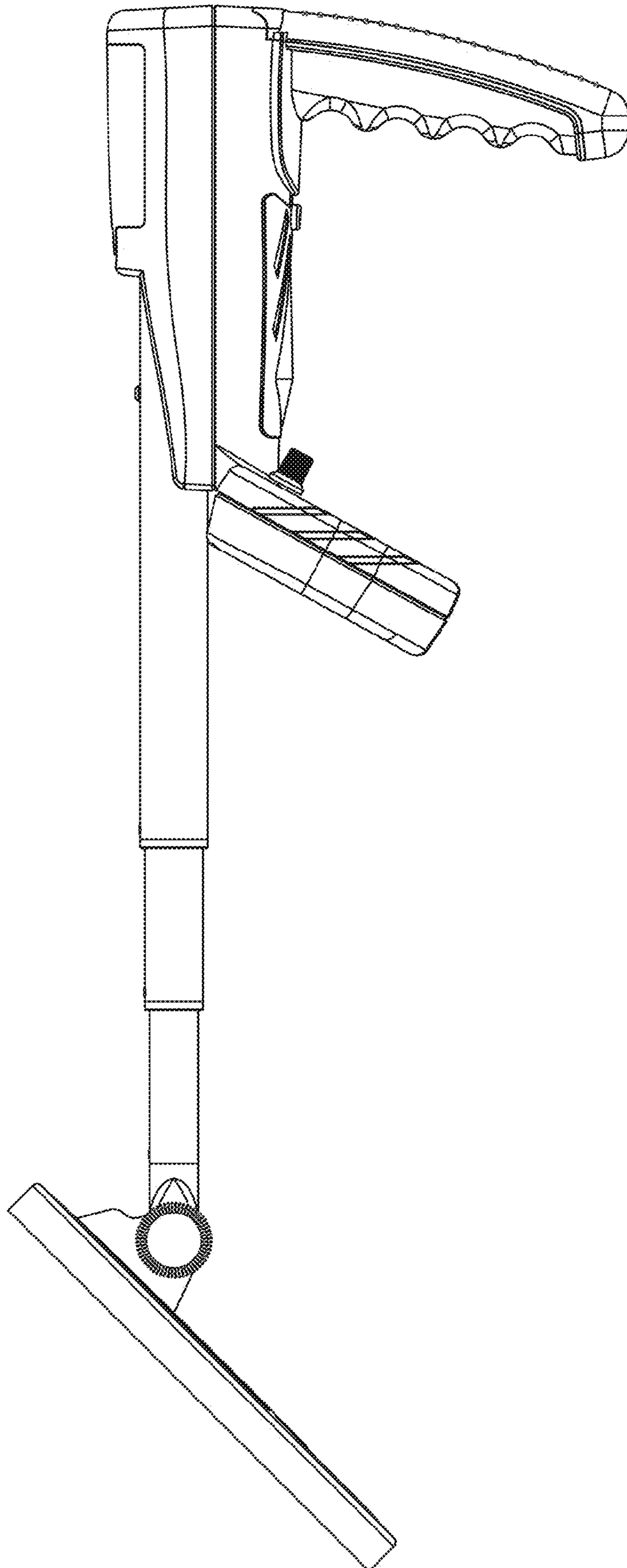


Fig. 2

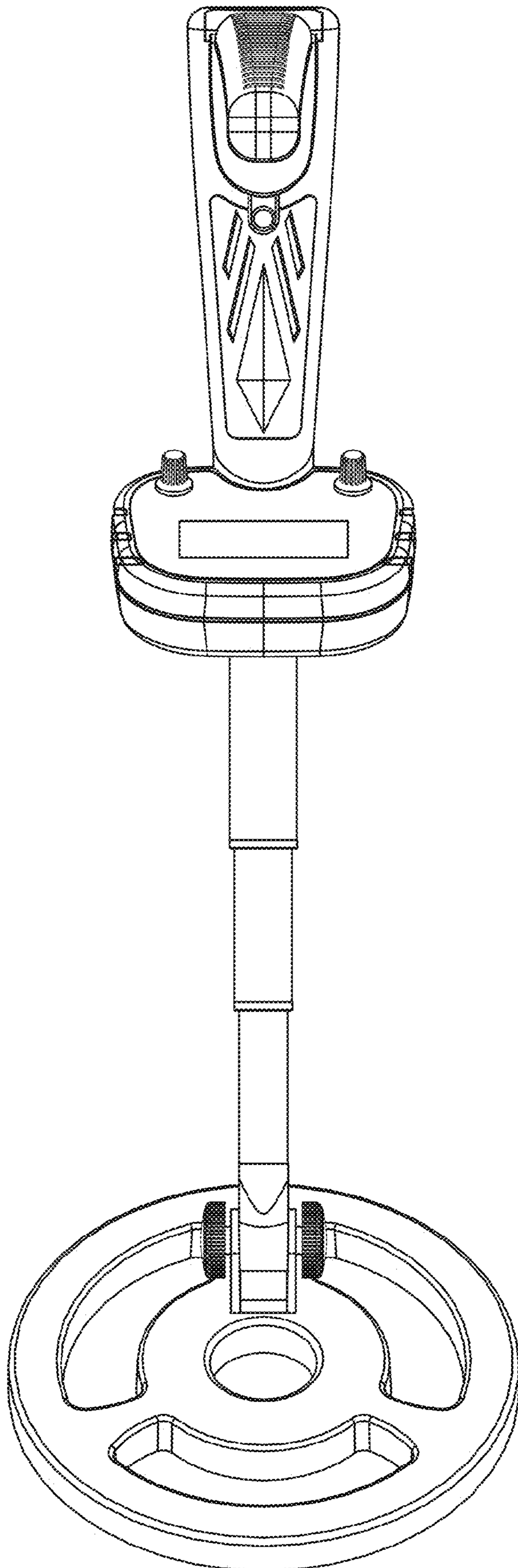


Fig. 3

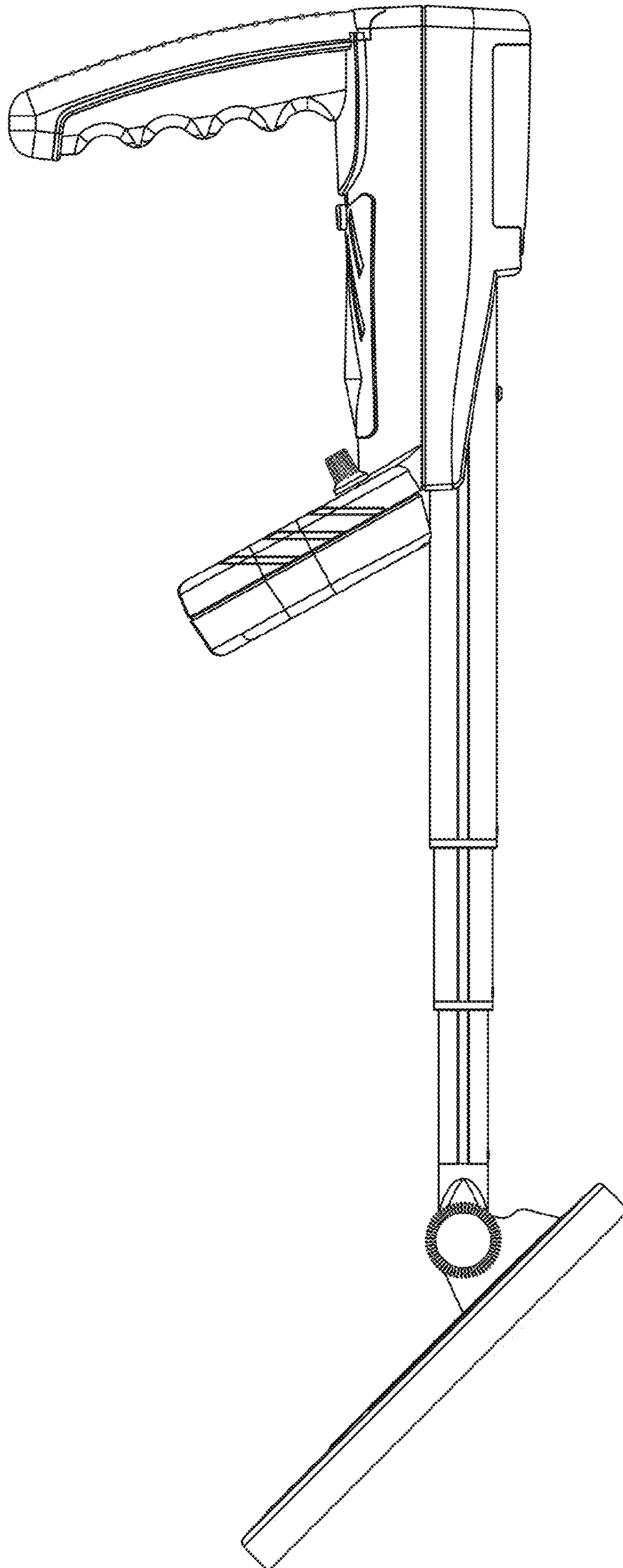


Fig. 4

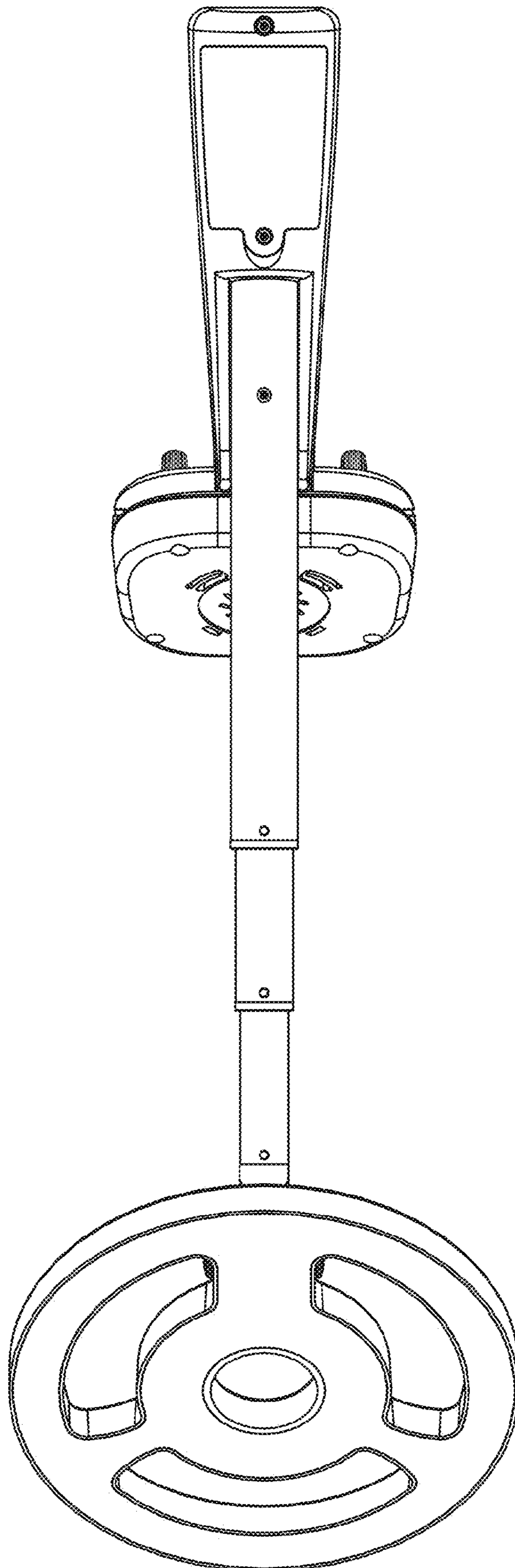


Fig. 5

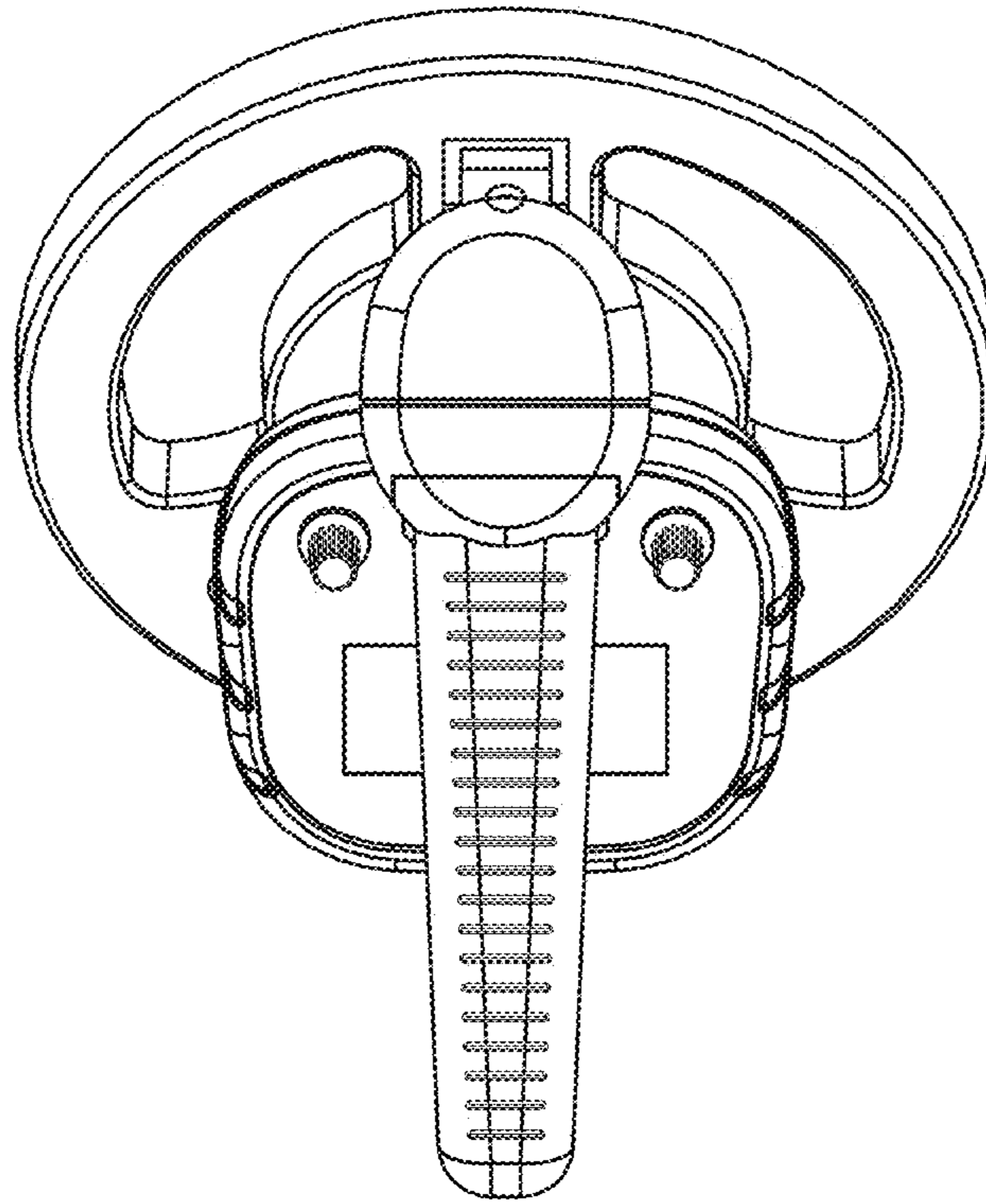


Fig. 6

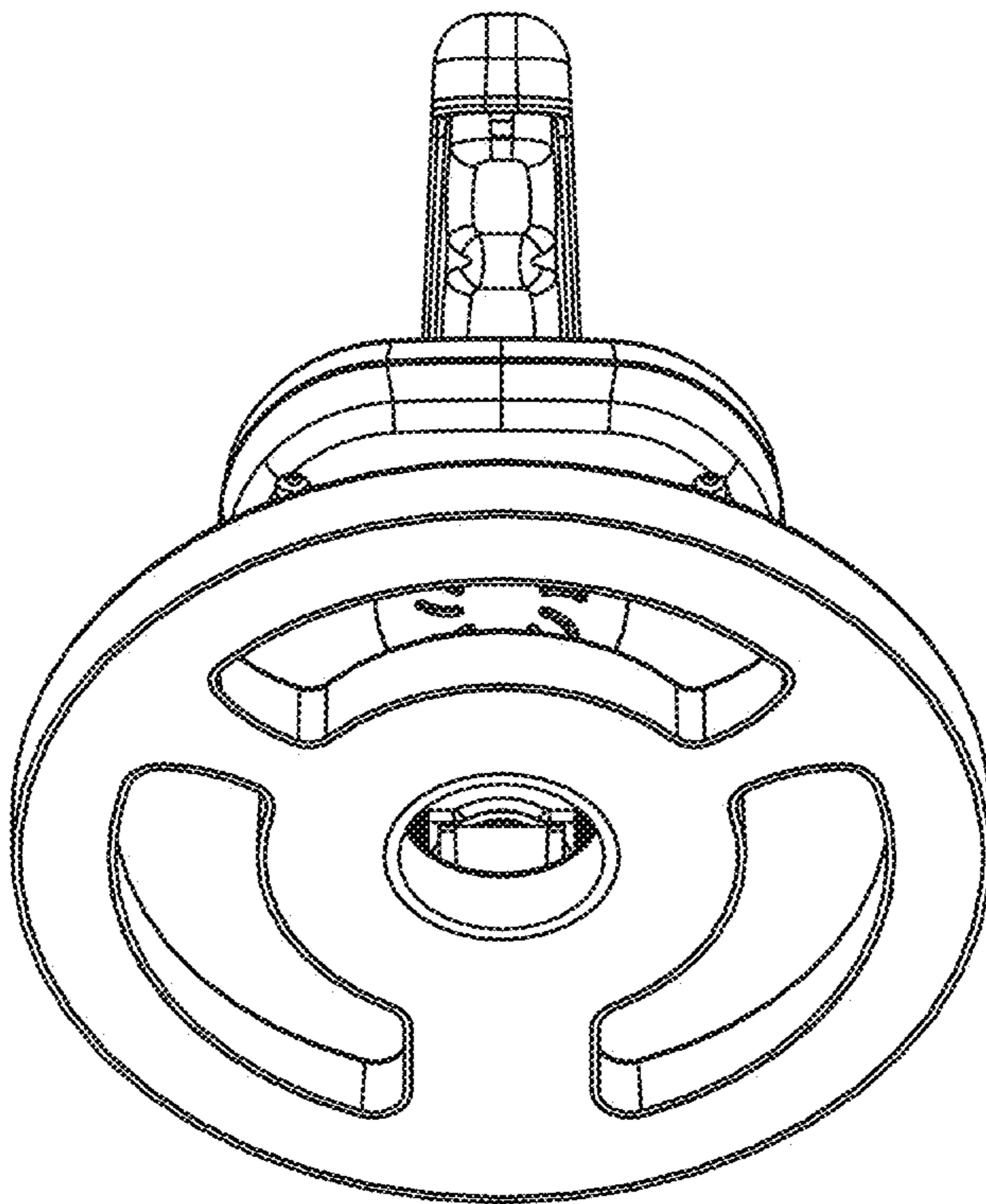


Fig. 7