



US00D959299S

(12) **United States Design Patent** (10) **Patent No.:** **US D959,299 S**
Jones et al. (45) **Date of Patent:** **** Aug. 2, 2022**

(54) **METER COVER**

H05K 7/005; H05K 7/02; G01D 11/24;
G01D 11/245; G01D 11/26; G01D 11/28

See application file for complete search history.

(71) Applicant: **IPS Group Inc.**, San Diego, CA (US)

(72) Inventors: **David Andrew Jones**, Beecroft (AU);
David William King, Rancho Santa Fe,
CA (US); **Adam Hugh Gillmore**,
Wollstonecraft (AU)

(56)

References Cited

U.S. PATENT DOCUMENTS

(73) Assignee: **IPS GROUP INC.**, San Diego, CA
(US)

(**) Term: **15 Years**

(21) Appl. No.: **29/759,017**

(22) Filed: **Nov. 19, 2020**

(51) **LOC (13) Cl.** **10-03**

(52) **U.S. Cl.**

USPC **D10/42**; D10/97; D10/100; D10/102

(58) **Field of Classification Search**

USPC D10/40, 42, 97, 99, 100, 102

CPC . G07B 15/02; G07C 1/30; H04Q 9/00; H04Q

9/02; H04Q 2209/43; H04Q 2209/47;

H04Q 2209/80; H04Q 2209/886; H05K

5/00; H05K 5/0004; H05K 5/0008; H05K

5/0013; H05K 5/0017; H05K 5/0021;

H05K 5/0026; H05K 5/003; H05K

5/0034; H05K 5/0039; H05K 5/0043;

H05K 5/0047; H05K 5/0052; H05K

5/0056; H05K 5/006; H05K 5/0065;

H05K 5/0069; H05K 5/0073; H05K

5/0078; H05K 5/0082; H05K 5/0086;

H05K 5/0091; H05K 5/0095; H05K 5/03;

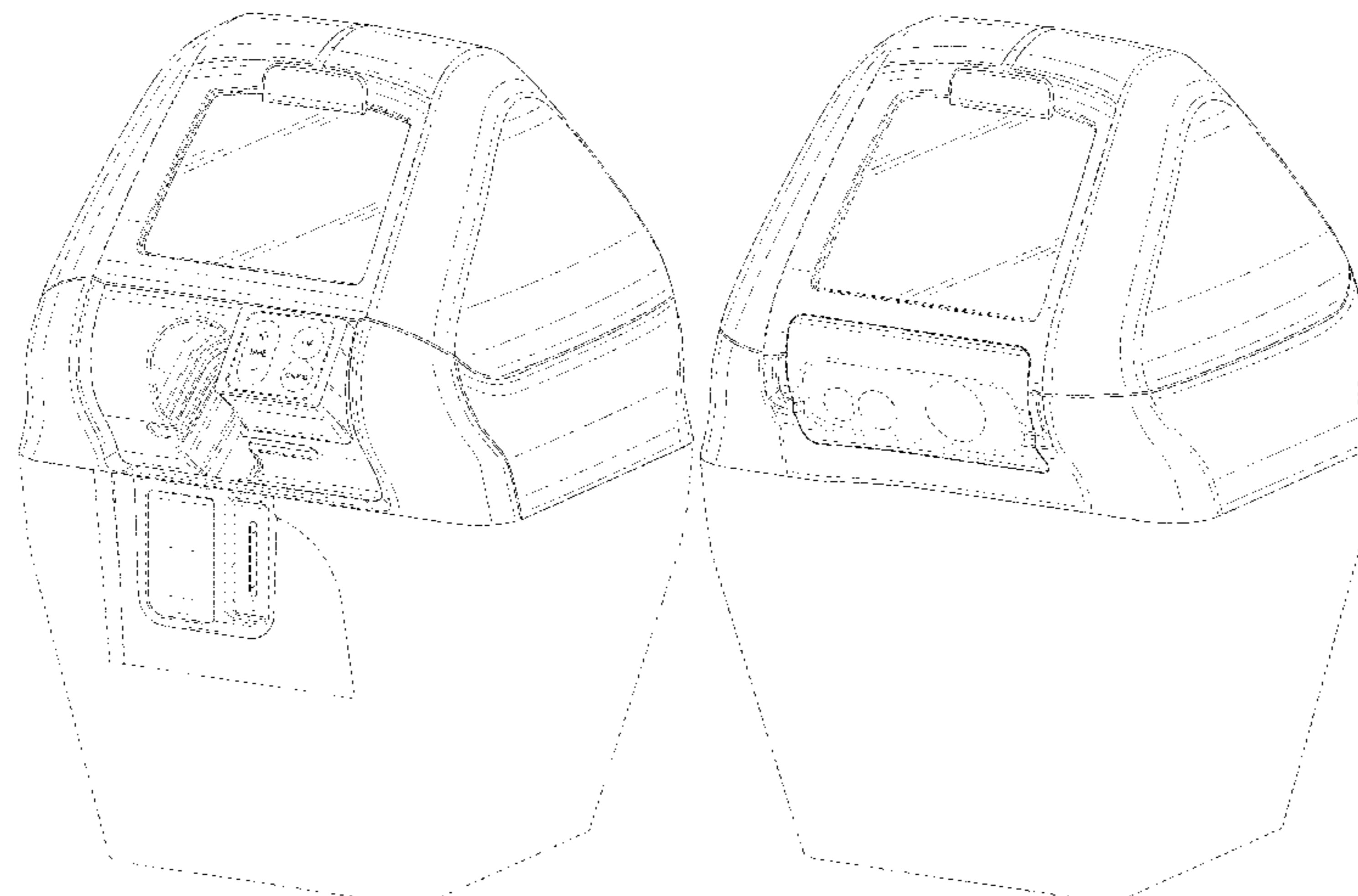
H05K 5/04; H05K 5/06; H05K 5/061;

H05K 5/062; H05K 5/063; H05K 5/064;

H05K 5/065; H05K 5/066; H05K 5/067;

H05K 5/068; H05K 5/069; H05K 7/00;

| | | | |
|---------------|---------|-------------------|-------------------------|
| D98,810 S | 3/1936 | Magee | |
| D107,577 S | 12/1937 | McGay et al. | |
| 2,161,046 A | 6/1939 | Hitzeman | |
| D116,805 S | 9/1939 | Reznek | |
| 2,229,183 A | 1/1941 | Mitchell | |
| D162,698 S | 3/1951 | Teague | |
| D166,059 S | 2/1952 | Yoss et al. | |
| D166,753 S | 5/1952 | Jones | |
| 2,596,124 A | 5/1952 | Broussard | |
| D181,359 S | 11/1957 | Jones | |
| 2,822,682 A | 2/1958 | Sollenberger | |
| 2,832,506 A | 4/1958 | Hatcher | |
| D189,106 S | 10/1960 | Leiderman | |
| 2,988,191 A | 6/1961 | Grant | |
| D199,270 S | 9/1964 | Michaels | |
| D200,216 S | 2/1965 | Broussard | |
| 3,183,411 A | 5/1965 | Palfi | |
| 3,486,324 A | 12/1969 | Carl-Axel | |
| 3,535,870 A | 10/1970 | Mitchell et al. | |
| 3,721,463 A | 3/1973 | Attwood et al. | |
| 3,999,372 A | 12/1976 | Welch et al. | |
| 4,025,791 A | 5/1977 | Lennington et al. | |
| 4,031,991 A | 6/1977 | Malott | |
| 4,043,117 A | 8/1977 | Maresca et al. | |
| 4,310,890 A | 1/1982 | Trehn et al. | |
| 4,460,965 A | 7/1984 | Trehn et al. | |
| 4,812,805 A | 3/1989 | Lachat et al. | |
| 4,823,928 A | 4/1989 | Speas | |
| 4,825,425 A | 4/1989 | Turner | |
| 4,875,598 A | 10/1989 | Dahl | |
| 4,880,097 A | 11/1989 | Speas | |
| 4,895,238 A | 1/1990 | Speas | |
| D319,077 S | 8/1991 | Arato et al. | |
| 5,065,156 A * | 11/1991 | Bernier | G07F 17/24 340/309.2 |
| 5,155,614 A | 10/1992 | Carmen et al. | |
| 5,201,396 A | 4/1993 | Chalabian et al. | |
| 5,222,076 A | 6/1993 | Ng et al. | |
| 5,244,070 A | 9/1993 | Carmen et al. | |
| 5,273,151 A | 12/1993 | Carmen et al. | |
| 5,360,095 A | 11/1994 | Speas | |
| 5,426,363 A | 6/1995 | Akagi et al. | |
| 5,442,348 A | 8/1995 | Mushell | |
| 5,471,139 A | 11/1995 | Zadoff | |
| 5,563,491 A | 10/1996 | Tseng | |



US D959,299 S

| | | | | | | |
|--------------|---------|---------------------|-----------------|---------|-------------------|-------------|
| 5,614,892 A | 3/1997 | Ward, II et al. | 7,783,530 B2 | 8/2010 | Slemmer et al. | |
| 5,617,942 A | 4/1997 | Ward, II et al. | 7,825,826 B2 | 11/2010 | Welch et al. | |
| 5,640,002 A | 6/1997 | Ruppert et al. | 7,854,310 B2 | 12/2010 | King et al. | |
| 5,642,119 A | 6/1997 | Jacobs | 7,855,661 B2 | 12/2010 | Ponert | |
| 5,648,906 A | 7/1997 | Amirpanahi | D635,035 S | 3/2011 | Matsumoto | |
| 5,659,306 A | 8/1997 | Bahar | 7,933,841 B2 | 4/2011 | Schmeyer et al. | |
| D388,231 S | 12/1997 | Magee et al. | D654,816 S | 2/2012 | Mackay et al. | |
| 5,710,743 A | 1/1998 | Dee et al. | D656,046 S * | 3/2012 | MacKay | G06Q 20/127 |
| 5,732,812 A | 3/1998 | Grainger et al. | | | | D10/42 |
| D393,212 S | 4/1998 | Lucas | 8,138,950 B1 | 3/2012 | Leung | |
| 5,737,710 A | 4/1998 | Anthonyson | D661,603 S | 6/2012 | Mackay et al. | |
| 5,777,951 A | 7/1998 | Mitschele et al. | D661,608 S * | 6/2012 | Kimmich | G07F 17/24 |
| 5,778,067 A | 7/1998 | Jones et al. | | | | D10/98 |
| 5,805,083 A | 9/1998 | Sutton et al. | 8,279,107 B2 | 10/2012 | Krstanovic et al. | |
| 5,806,651 A | 9/1998 | Carmen et al. | 8,325,057 B2 * | 12/2012 | Salter | G01R 21/133 |
| D400,115 S | 10/1998 | Yaron et al. | | | | 705/14.66 |
| 5,833,042 A | 11/1998 | Baitch et al. | 8,395,532 B2 | 3/2013 | Chauvin et al. | |
| 5,841,369 A | 11/1998 | Sutton et al. | D683,794 S | 6/2013 | Randall | |
| 5,842,411 A | 12/1998 | Johnson | D690,771 S | 10/2013 | Randall | |
| 5,845,268 A | 12/1998 | Moore | D692,784 S | 11/2013 | Anderssen et al. | |
| 5,852,411 A | 12/1998 | Jacobs et al. | 8,590,687 B2 | 11/2013 | King et al. | |
| D412,289 S | 7/1999 | Winwood | 8,595,054 B2 * | 11/2013 | King | G06Q 20/127 |
| 5,954,182 A | 9/1999 | Wei | | | | 705/13 |
| 5,966,345 A | 10/1999 | Dee et al. | 8,631,921 B2 | 1/2014 | Jones et al. | |
| 6,037,880 A | 3/2000 | Manion | 8,684,158 B2 | 4/2014 | Jones et al. | |
| 6,078,272 A | 6/2000 | Jacobs et al. | D705,090 S | 5/2014 | Mackay et al. | |
| 6,081,205 A | 6/2000 | Williams | D707,140 S | 6/2014 | King et al. | |
| 6,109,418 A | 8/2000 | Yost | D707,141 S | 6/2014 | King et al. | |
| 6,111,522 A | 8/2000 | Hiltz et al. | D707,142 S | 6/2014 | King et al. | |
| 6,116,403 A | 9/2000 | Kiehl | 8,770,371 B2 | 7/2014 | Mackay et al. | |
| 6,195,015 B1 | 2/2001 | Jacobs et al. | D716,157 S * | 10/2014 | MacKay | D10/42 |
| D439,591 S | 3/2001 | Reidt et al. | 8,862,494 B2 | 10/2014 | King et al. | |
| RE37,193 E | 5/2001 | Ward, II et al. | 8,884,785 B2 | 11/2014 | Groft et al. | |
| 6,229,455 B1 | 5/2001 | Yost et al. | 9,127,964 B2 | 9/2015 | Schwarz et al. | |
| 6,230,868 B1 | 5/2001 | Tuxen et al. | 9,169,626 B2 * | 10/2015 | Guler | E03D 5/105 |
| 6,243,028 B1 | 6/2001 | Krygler et al. | D749,000 S | 2/2016 | King et al. | |
| D447,714 S | 9/2001 | Cappiello | D755,650 S | 5/2016 | King et al. | |
| D449,010 S | 10/2001 | Petrucelli | D756,807 S | 5/2016 | King et al. | |
| 6,309,098 B1 | 10/2001 | Wong | D756,808 S | 5/2016 | King et al. | |
| 6,312,152 B2 | 11/2001 | Dee et al. | 9,489,776 B2 | 11/2016 | Kell et al. | |
| RE37,531 E | 1/2002 | Chaco et al. | 9,508,198 B1 * | 11/2016 | King | H04Q 9/00 |
| D454,807 S | 3/2002 | Cappiello | 9,652,921 B2 * | 5/2017 | MacKay | G07F 17/24 |
| 6,373,422 B1 | 4/2002 | Mostafa | 9,661,403 B2 | 5/2017 | King et al. | |
| 6,373,442 B1 | 4/2002 | Thomas et al. | D799,992 S | 10/2017 | Ehara | |
| D461,728 S | 8/2002 | Tuxen et al. | 9,805,518 B2 | 10/2017 | King et al. | |
| 6,456,491 B1 | 9/2002 | Flannery et al. | 10,299,018 B1 * | 5/2019 | King | H04W 4/80 |
| D463,749 S | 10/2002 | Petrucelli | D851,605 S | 6/2019 | Maetani et al. | |
| 6,457,586 B2 | 10/2002 | Yasuda et al. | 11,100,824 B2 * | 8/2021 | King | G06F 1/1605 |
| 6,505,774 B1 | 1/2003 | Fulcher et al. | 2001/0012241 A1 | 8/2001 | Dee et al. | |
| 6,559,776 B2 | 5/2003 | Katz | 2001/0047278 A1 | 11/2001 | Brookner et al. | |
| 6,697,730 B2 | 2/2004 | Dickerson | 2001/0051531 A1 | 12/2001 | Singhal et al. | |
| 6,747,575 B2 | 6/2004 | Chauvin et al. | 2002/0008639 A1 | 1/2002 | Dee | |
| D498,795 S | 11/2004 | Nunn | 2002/0111768 A1 | 8/2002 | Ghorayeb et al. | |
| 6,812,857 B1 | 11/2004 | Kassab et al. | 2003/0092387 A1 | 5/2003 | Hjelmvik | |
| 6,856,922 B1 | 2/2005 | Austin et al. | 2003/0112151 A1 | 6/2003 | Chauvin et al. | |
| 6,874,340 B1 | 4/2005 | Berman | 2003/0112597 A1 | 6/2003 | Smith | |
| 6,885,311 B2 | 4/2005 | Howard et al. | 2003/0121754 A1 | 7/2003 | King | |
| 6,889,899 B2 | 5/2005 | Silberberg | 2003/0128010 A1 | 7/2003 | Hsu | |
| D506,509 S | 6/2005 | Nunn | 2003/0128136 A1 | 7/2003 | Spier et al. | |
| 6,914,411 B2 | 7/2005 | Couch et al. | 2003/0132840 A1 | 7/2003 | Bahar | |
| 6,929,179 B2 | 8/2005 | Fulcher et al. | 2003/0140531 A1 | 7/2003 | Pippins | |
| 6,946,974 B1 | 9/2005 | Racunas, Jr. | 2003/0144972 A1 | 7/2003 | Cordery et al. | |
| 7,019,420 B2 | 3/2006 | Kogan et al. | 2003/0169183 A1 | 9/2003 | Korepanov et al. | |
| 7,019,670 B2 | 3/2006 | Bahar | 2003/0179107 A1 | 9/2003 | Kibria et al. | |
| 7,023,360 B2 | 4/2006 | Staniszewski et al. | 2003/0220835 A1 | 11/2003 | Barnes et al. | |
| 7,027,773 B1 | 4/2006 | McMillin | 2003/0222792 A1 | 12/2003 | Berman et al. | |
| 7,029,167 B1 | 4/2006 | Mitschele | 2004/0068434 A1 | 4/2004 | Kanekon | |
| 7,183,999 B2 | 2/2007 | Matthews et al. | 2004/0084278 A1 | 5/2004 | Harris et al. | |
| D543,588 S | 5/2007 | Herbert et al. | 2004/0094619 A1 | 5/2004 | Silberberg | |
| 7,222,031 B2 | 5/2007 | Heatley | 2004/0181496 A1 | 9/2004 | Odinotski et al. | |
| 7,237,716 B2 | 7/2007 | Silberberg | 2004/0254840 A1 | 12/2004 | Slemmer et al. | |
| 7,388,349 B2 | 6/2008 | Elder et al. | 2004/0264302 A1 | 12/2004 | Ward | |
| 7,391,339 B2 | 6/2008 | Howard et al. | 2005/0040951 A1 | 2/2005 | Zalewski et al. | |
| D575,168 S * | 8/2008 | King | 2005/0099320 A1 | 5/2005 | Nath et al. | |
| | | H04W 4/80 | 2005/0155839 A1 | 7/2005 | Banks et al. | |
| | | D10/42 | 2005/0178639 A1 | 8/2005 | Brumfield et al. | |
| D587,141 S * | 2/2009 | King | 2005/0192911 A1 | 9/2005 | Mattern | |
| | | E03D 5/105 | 2005/0226201 A1 | 10/2005 | McMillin et al. | |
| | | D10/42 | 2006/0021848 A1 | 2/2006 | Smith | |
| 7,748,620 B2 | 7/2010 | Gomez et al. | | | | |
| 7,772,720 B2 | 8/2010 | McGee et al. | | | | |

| | | | | | | | |
|--------------|----|---------|--------------------|----|---------------|----|---------|
| 2006/0116972 | A1 | 6/2006 | Wong | FR | 2837583 | A1 | 9/2003 |
| 2006/0136131 | A1 | 6/2006 | Dugan et al. | IL | 149880 | A | 6/2007 |
| 2006/0149684 | A1 | 7/2006 | Matsuura et al. | JP | S5259000 | A | 5/1977 |
| 2006/0152349 | A1 | 7/2006 | Ratnakar | JP | S58121494 | A | 7/1983 |
| 2006/0267799 | A1 | 11/2006 | Mendelson | JP | 2002042181 | A | 2/2002 |
| 2007/0016539 | A1 | 1/2007 | Groft et al. | JP | 2002099640 | A | 4/2002 |
| 2007/0040449 | A1 | 2/2007 | Spurlin et al. | JP | 2005267430 | A | 9/2005 |
| 2007/0074702 | A1 | 4/2007 | Nakamura et al. | KR | 20050038077 | A | 4/2005 |
| 2007/0094153 | A1 | 4/2007 | Ferraro | WO | WO-2005031494 | A2 | 4/2005 |
| 2007/0114849 | A1 | 5/2007 | Falik et al. | WO | WO-2006095352 | A2 | 9/2006 |
| 2007/0119682 | A1 | 5/2007 | Banks et al. | WO | WO-2009154787 | A2 | 12/2009 |
| 2007/0136128 | A1 | 6/2007 | Janacek et al. | WO | WO-2014014494 | A1 | 1/2014 |
| 2007/0184852 | A1 | 8/2007 | Johnson et al. | | | | |
| 2007/0189907 | A1 | 8/2007 | Kunihiro et al. | | | | |
| 2007/0210935 | A1 | 9/2007 | Yost et al. | | | | |
| 2007/0285281 | A1 | 12/2007 | Welch | | | | |
| 2008/0052254 | A1 | 2/2008 | Al Amri et al. | | | | |
| 2008/0071611 | A1 | 3/2008 | Lovett | | | | |
| 2008/0093454 | A1 | 4/2008 | Yamazaki et al. | | | | |
| 2008/0147268 | A1 | 6/2008 | Fuller | | | | |
| 2008/0208680 | A1 | 8/2008 | Cho | | | | |
| 2008/0238715 | A1 | 10/2008 | Cheng et al. | | | | |
| 2008/0245638 | A1 | 10/2008 | King et al. | | | | |
| 2008/0270227 | A1 | 10/2008 | Al Amri | | | | |
| 2009/0026842 | A1 | 1/2009 | Hunter et al. | | | | |
| 2009/0032368 | A1 | 2/2009 | Hunter et al. | | | | |
| 2009/0095593 | A1 | 4/2009 | King et al. | | | | |
| 2009/0109062 | A1 | 4/2009 | An | | | | |
| 2009/0159674 | A1 | 6/2009 | King et al. | | | | |
| 2009/0183966 | A1 | 7/2009 | King et al. | | | | |
| 2009/0192950 | A1 | 7/2009 | King et al. | | | | |
| 2009/0267732 | A1 | 10/2009 | Chauvin et al. | | | | |
| 2009/0284907 | A1 | 11/2009 | Regimbal et al. | | | | |
| 2009/0315720 | A1 | 12/2009 | Clement et al. | | | | |
| 2010/0106517 | A1 | 4/2010 | Kociubinski et al. | | | | |
| 2010/0188932 | A1 | 7/2010 | Hanks et al. | | | | |
| 2010/0332394 | A1 | 12/2010 | Ioli | | | | |
| 2011/0057815 | A1 | 3/2011 | King et al. | | | | |
| 2011/0060653 | A1 | 3/2011 | King et al. | | | | |
| 2011/0063133 | A1 | 3/2011 | Keller et al. | | | | |
| 2011/0203901 | A1 | 8/2011 | King et al. | | | | |
| 2011/0313822 | A1 | 12/2011 | Burdick | | | | |
| 2011/0320243 | A1 | 12/2011 | Khan | | | | |
| 2012/0084210 | A1 | 4/2012 | Farahmand | | | | |
| 2012/0158466 | A1 | 6/2012 | John | | | | |
| 2012/0222935 | A1 | 9/2012 | Mackay et al. | | | | |
| 2012/0285790 | A1 | 11/2012 | Jones et al. | | | | |
| 2012/0285791 | A1 | 11/2012 | Jones et al. | | | | |
| 2012/0285792 | A1 | 11/2012 | Jones et al. | | | | |
| 2012/0285793 | A1 | 11/2012 | Jones et al. | | | | |
| 2012/0286036 | A1 | 11/2012 | Jones et al. | | | | |
| 2012/0292385 | A1 | 11/2012 | Mackay et al. | | | | |
| 2013/0005445 | A1 | 1/2013 | Walker et al. | | | | |
| 2013/0027218 | A1 | 1/2013 | Schwarz et al. | | | | |
| 2013/0099943 | A1 | 4/2013 | Subramanya | | | | |
| 2013/0116952 | A1 | 5/2013 | Chai | | | | |
| 2013/0238406 | A1 | 9/2013 | King et al. | | | | |
| 2014/0108107 | A1 | 4/2014 | Jones et al. | | | | |
| 2014/0129158 | A1 | 5/2014 | Shea | | | | |
| 2014/0174881 | A1 | 6/2014 | King et al. | | | | |
| 2014/0210646 | A1 | 7/2014 | Subramanya | | | | |
| 2014/0214499 | A1 | 7/2014 | Hudson et al. | | | | |
| 2014/0214500 | A1 | 7/2014 | Hudson et al. | | | | |
| 2014/0229246 | A1 | 8/2014 | Ghaffari | | | | |
| 2015/0106172 | A1 | 4/2015 | Salama | | | | |
| 2015/0129391 | A1 | 5/2015 | Jones et al. | | | | |
| 2015/0332587 | A1 | 11/2015 | Schwarz et al. | | | | |
| 2017/0098339 | A1 | 4/2017 | Keller et al. | | | | |
| 2018/0025549 | A1 | 1/2018 | King et al. | | | | |
| 2018/0225909 | A1 | 8/2018 | Mackay et al. | | | | |
| 2019/0131819 | A1 | 5/2019 | Bell | | | | |

OTHER PUBLICATIONS

Cell Net Data Systems. First Wireless Monitoring of Parking Meters Results in Theft Arrests Using CellNet Data Systems Technology. PRNewswire (May 11, 1999) (2 pgs.).

City of Culver City. CA Agenda Item Report. Approval of a Contract with IPS Group Inc., for the Sole-Source Purchase of 1,000 Parking Meters. (3 pgs.) (Dec. 12, 2011).

Co-pending U.S. Appl. No. 29/680,837, inventors King; David William et al., filed Feb. 20, 2019.

Co-pending U.S. Appl. No. 29/759,012, inventors Jones; David Andrew et al., filed Nov. 19, 2020.

Co-pending U.S. Appl. No. 29/759,014, inventors Jones; David Andrew et al., filed Nov. 19, 2020.

Co-pending U.S. Appl. No. 29/759,016, inventors Jones; David Andrew et al., filed Nov. 19, 2020.

Co-pending U.S. Appl. No. 29/759,019, inventors Jones; David Andrew et al., filed Nov. 19, 2020.

Fidelman. Time's Running Out for Parking Meters at Present Locations: \$270,000 Cited as Replacement Cost. City Employees Who Ticket Motorists Find Electronic Meters Unsuitable. The Gazette, Final Edition, Montreal, Quebec, Canada, Nov. 12, 2002, p. A7.

Flatley. In San Francisco, Hackers Park for Free. Read filed under Misc. Gadgets, downloaded from www.engadget.com website on May 3, 2010. Originally posted on Jul. 31, 2009 (5 pgs.).

Howland. How M2M Maximizes Denver's Revenue. Field TechnologiesOnline.com, Oct. 2011, pp. 9-12 [online] [retrieved Mar. 5, 2013], Retrieved from <http://www.fieldtechnologiesonline.com/doc.mvc/How-M2M-Maximizes-Denvers-Revenue-0001> (4 pgs).

Jim Bonfield. An Exercise in Changing The Business: Advertising Vending Machines. (4 pgs.) (Feb. 7, 2018).

Meter Solutions, Single-Space Meters brochure, downloaded from www.duncansolutions.com website, (revised Apr. 2006) (2 pgs.).

Sedadi. Card & Coin Parking Meter Lease. City of Los Angeles Inter-Departmental Correspondence. (4 pgs.) (Nov. 29, 2010).

Spyker et al. Predicting Capacitor Run Time For a Battery/Capacitor Hybrid Source. Power Electronic Drives and Energy Systems for Industrial Growth. 1998. Proceedings. 1998 IEEE International Conference, pp. 809-814.

The U.S. Conference of Mayors Presents 'Best Practice' Awards, Los Angeles, New Orleans, Elizabeth, N.J. and Long Beach, CA Honored for Excellence & Innovation in Public-Private partnerships, Press Release Jan. 20, 2012 (3 pgs.).

Transportation Commission Staff Report. Alternate Downtown Parking Pay Technology. Agenda Item No. 5.b (4 pgs.) (Oct. 20, 2011).

Tung. Design of an advanced on-street parking meter. RIT Scholar Works. Thesis/Dissertation Collections (75 pgs.) (2001).

* cited by examiner

Primary Examiner — Antoine Duval Davis
(74) Attorney, Agent, or Firm — Wilson Sonsini Goodrich & Rosati

(57) CLAIM

The ornamental design for a meter cover, as shown and described.

DESCRIPTION

FIG. 1 is a top, front, right perspective view of a meter cover, showing our new design;

FOREIGN PATENT DOCUMENTS

| | | | |
|----|---------|----|---------|
| CA | 2377010 | A1 | 10/2001 |
| CA | 2363915 | A1 | 5/2003 |
| EP | 0329129 | A2 | 8/1989 |
| EP | 0980055 | B1 | 9/2001 |
| EP | 1128350 | B1 | 10/2007 |

FIG. 2 is a top, back, left perspective view thereof;
FIG. 3 is a back elevational view thereof;
FIG. 4 is a front elevational view thereof;
FIG. 5 is a top plan view thereof;
FIG. 6 is a right side elevational view thereof; and,
FIG. 7 is a left side elevational view thereof.
The broken line showing of environmental matter is for illustrative purposes only and forms no part of the claimed design.

1 Claim, 7 Drawing Sheets

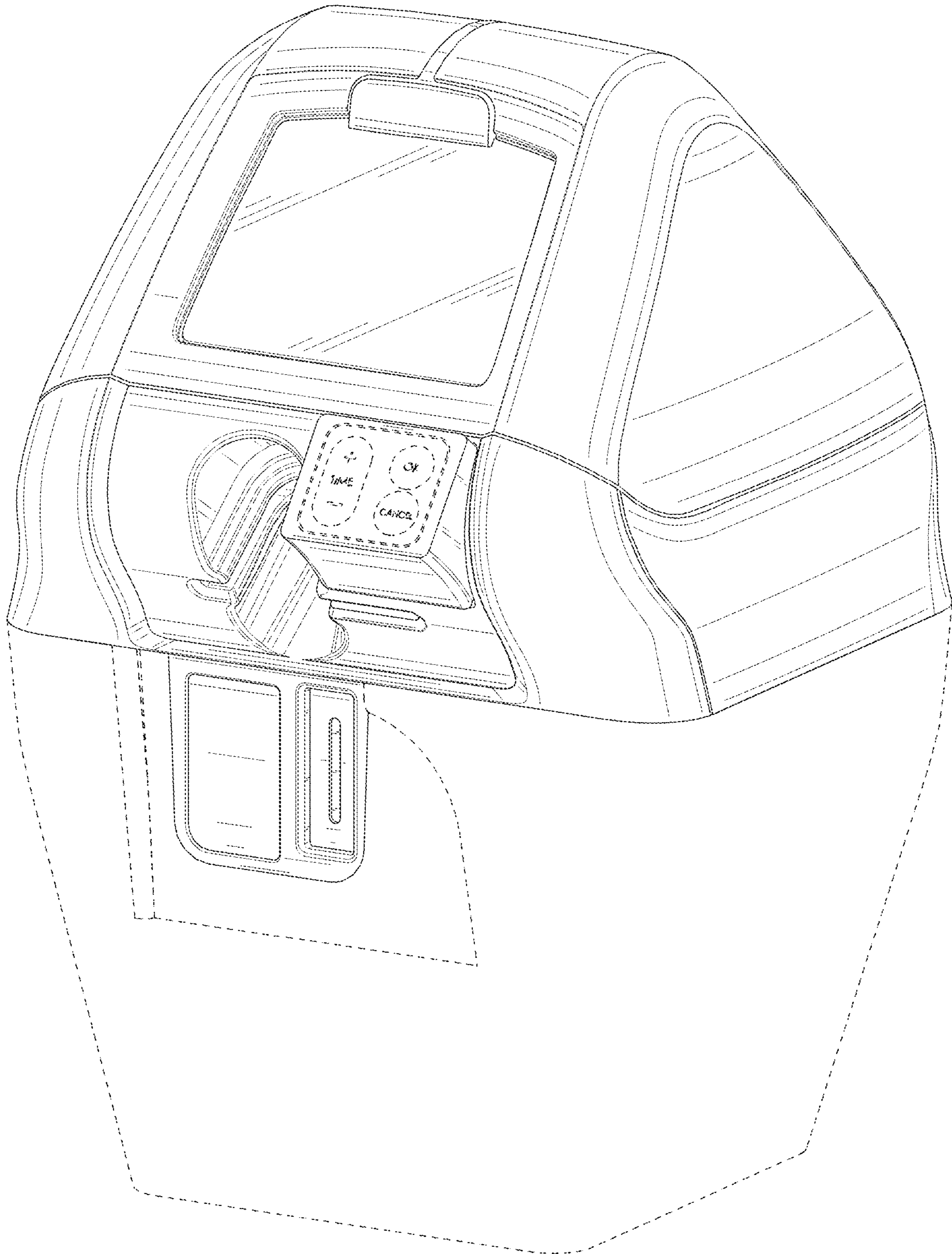


FIG. 1

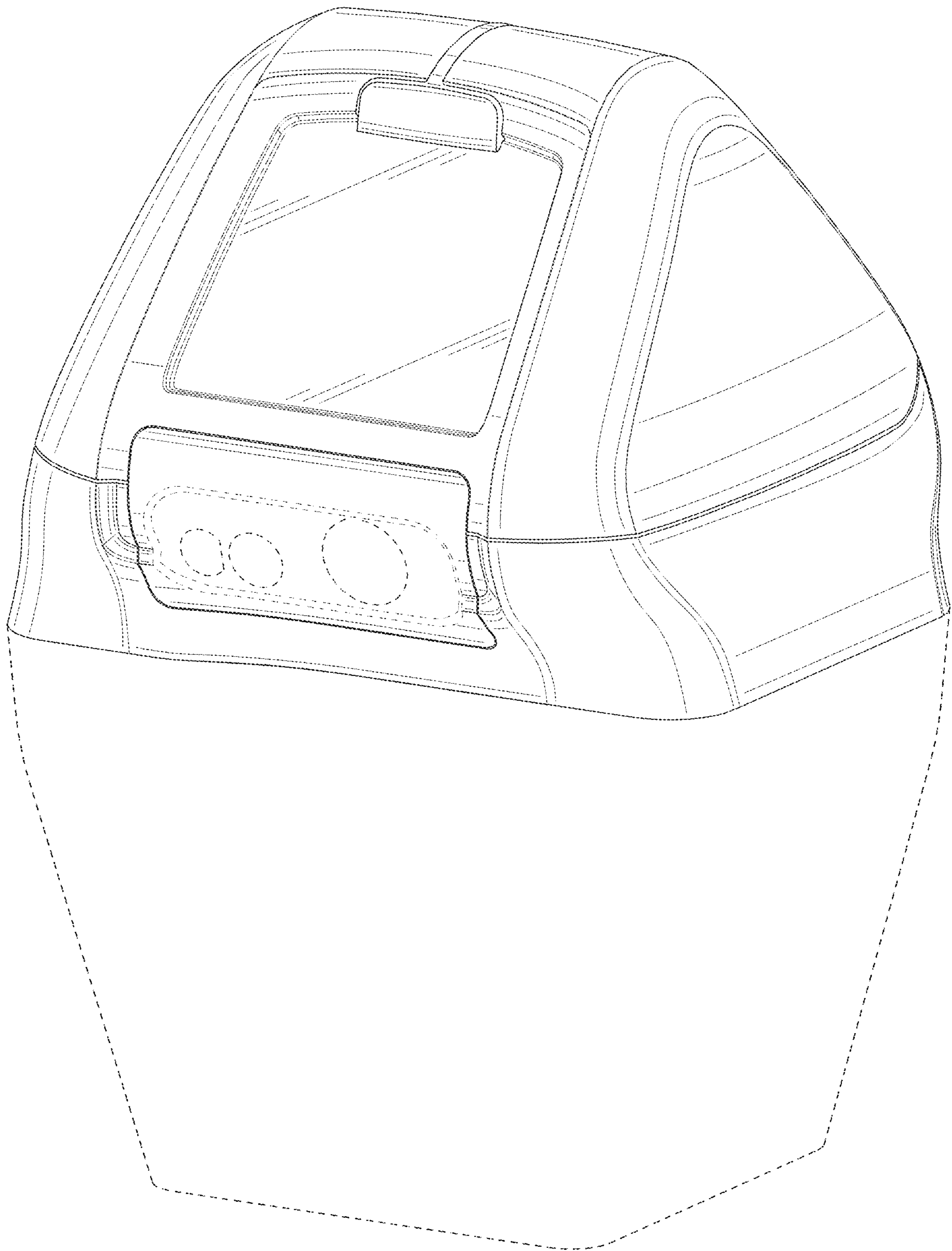


FIG. 2

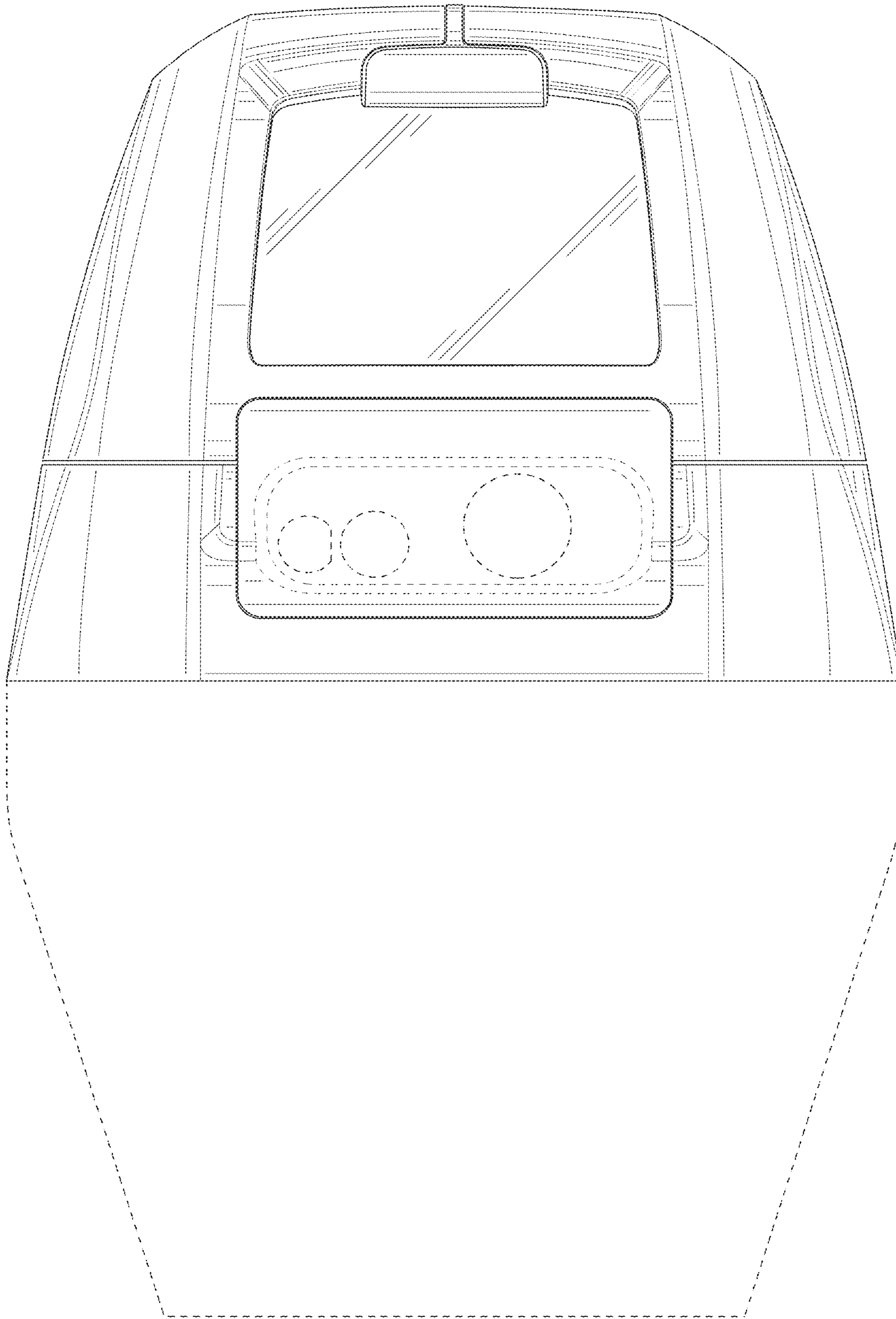


FIG. 3

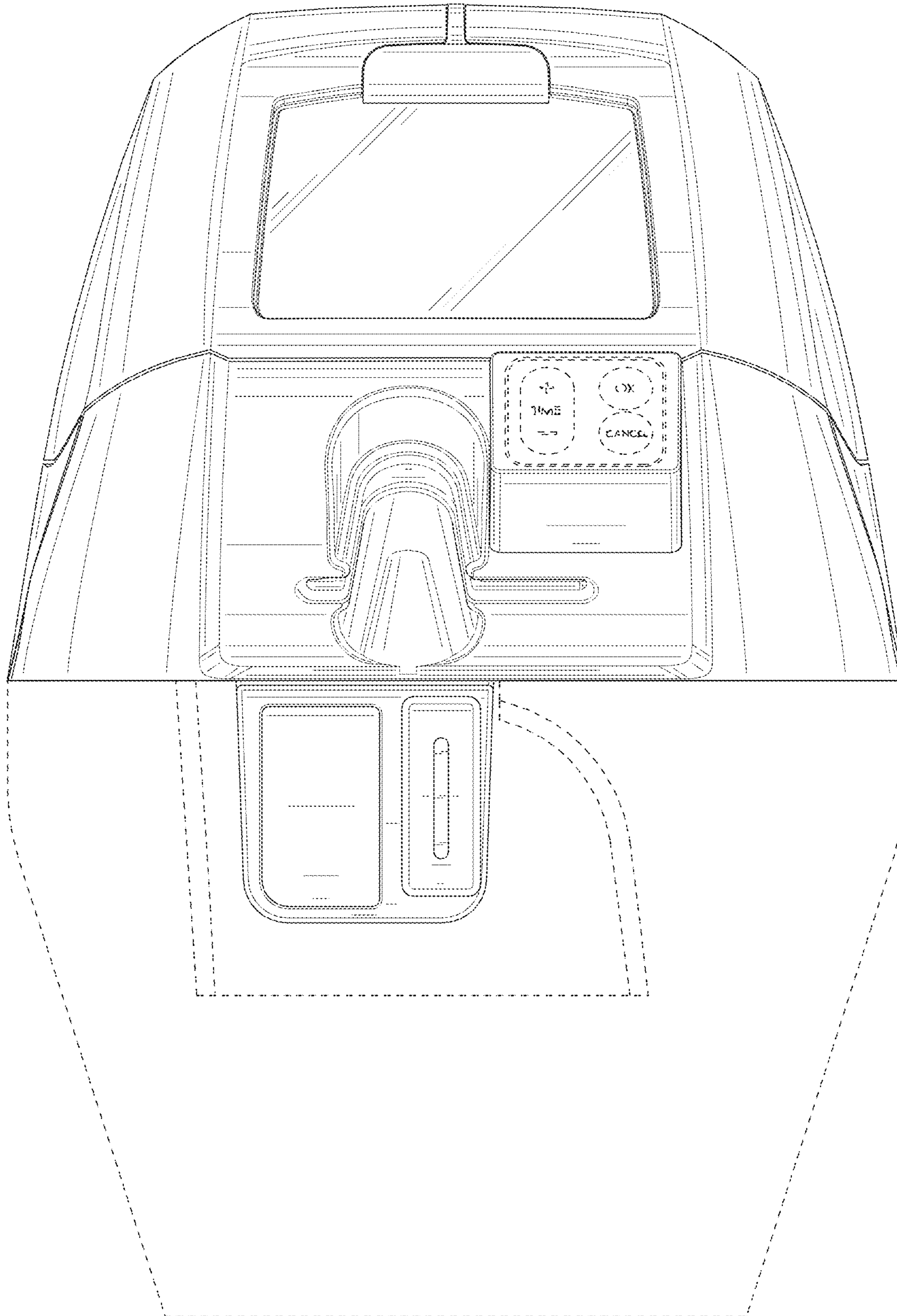


FIG. 4

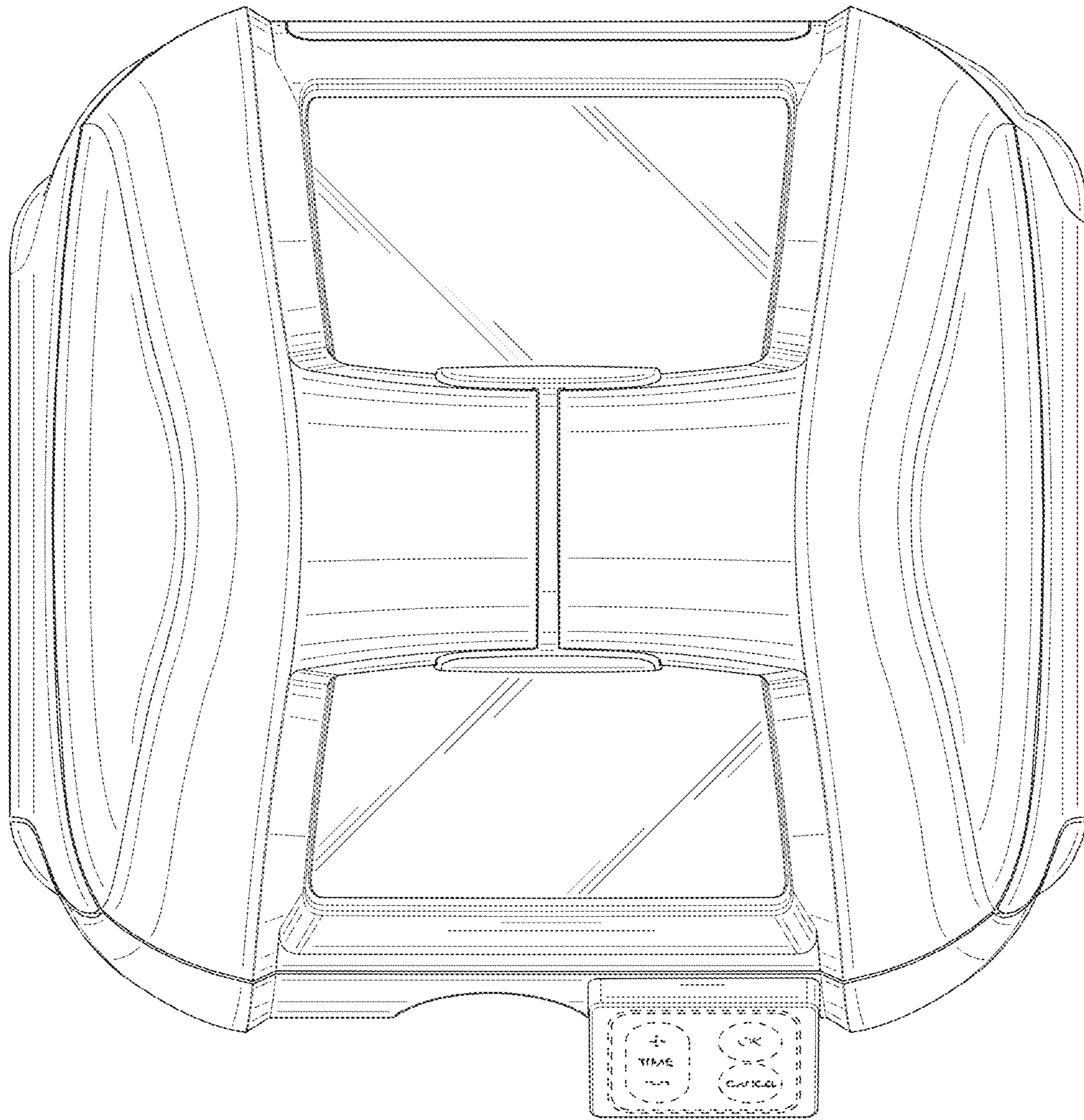


FIG. 5

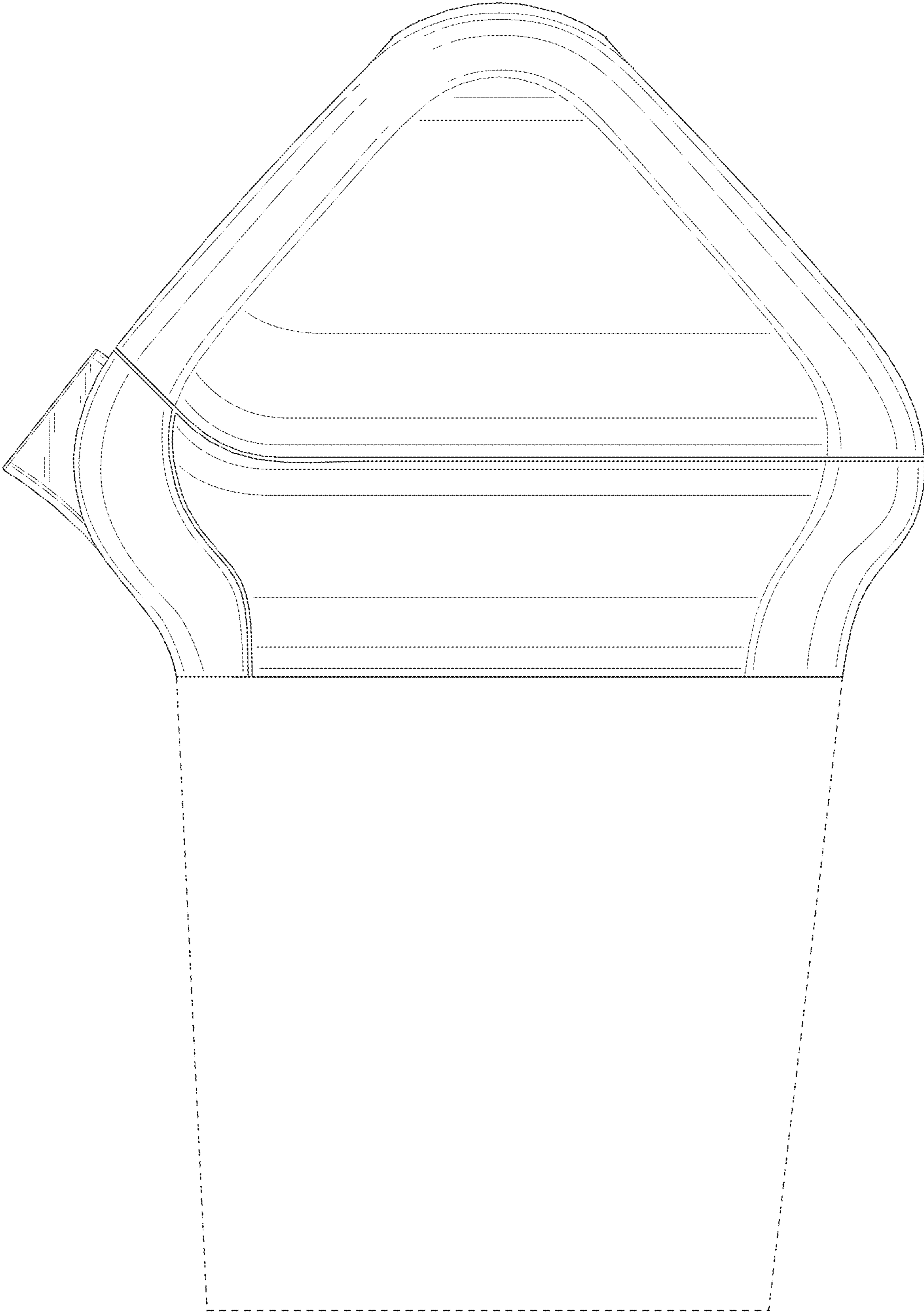


FIG. 6

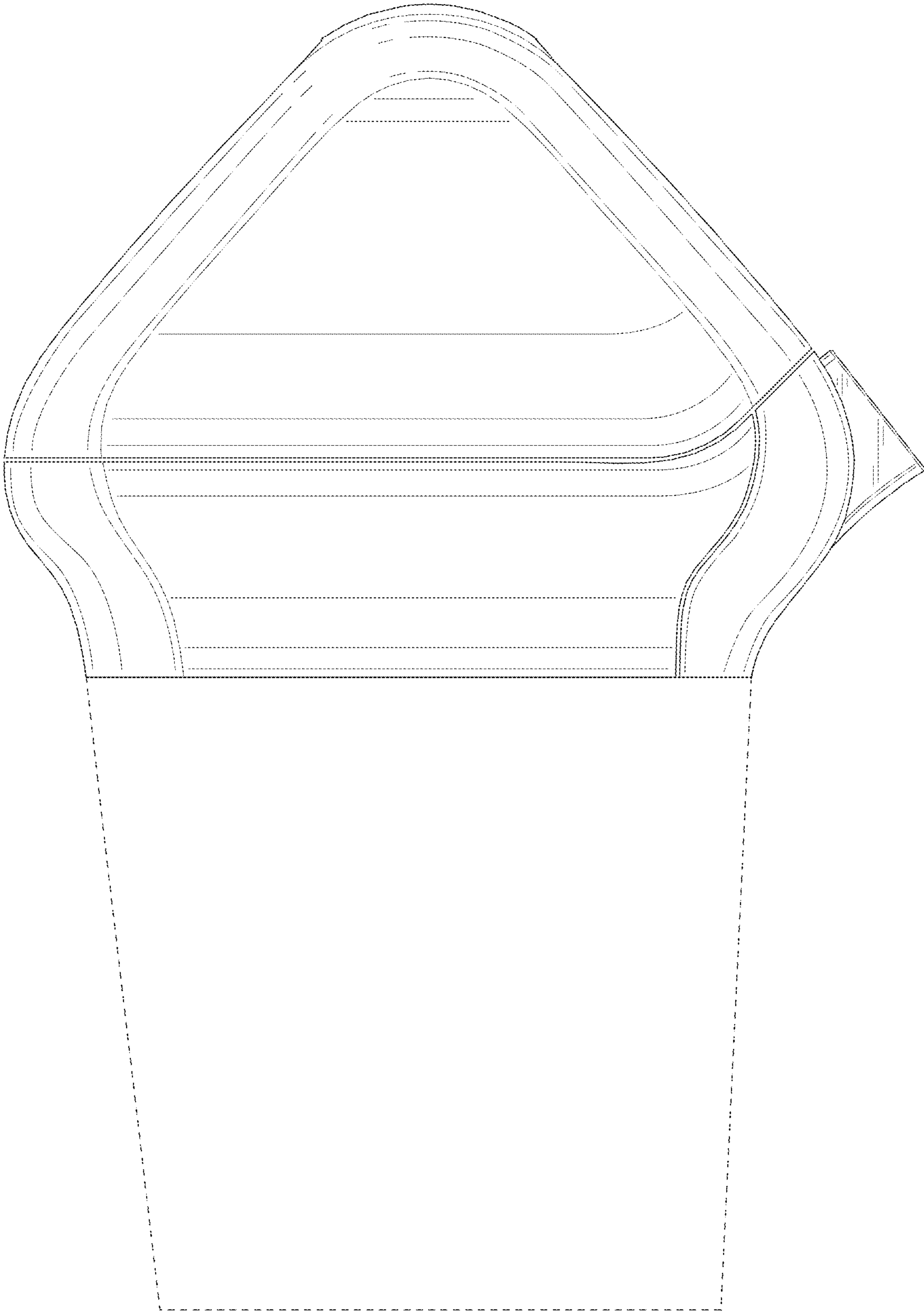


FIG. 7