



US00D959296S

(12) **United States Design Patent** (10) **Patent No.:** **US D959,296 S**
Luo (45) **Date of Patent:** **** Aug. 2, 2022**

(54) **TIMER**

(71) Applicant: **Bingbing Luo**, Guangdong (CN)

(72) Inventor: **Bingbing Luo**, Guangdong (CN)

(**) Term: **15 Years**

(21) Appl. No.: **29/780,561**

(22) Filed: **Apr. 26, 2021**

(51) **LOC (13) Cl.** **10-03**

(52) **U.S. Cl.**

USPC **D10/40**

(58) **Field of Classification Search**

USPC D10/1-7, 15, 21-29, 40-41, 46.1;
D14/170-172, 188, 204, 224.1, 265

CPC G04G 13/00; G04G 13/02; G04G 13/021;
G04G 13/028; G04G 17/00; G04G 17/08;
G04G 17/086; G04G 21/00; G04G 21/08

See application file for complete search history.

(56) **References Cited**

U.S. PATENT DOCUMENTS

- D241,977 S * 10/1976 Katsuhiko D14/171
- D266,102 S * 9/1982 Grube D10/46.1
- D291,068 S * 7/1987 Jones D10/30
- D332,056 S * 12/1992 Oakes D10/46.1
- 5,365,494 A * 11/1994 Lynch G04G 11/00
368/10
- D431,196 S * 9/2000 Godfrey D10/40
- D459,665 S * 7/2002 Helmer, Sr. D10/40
- D678,187 S * 3/2013 Huang D13/103
- D696,969 S * 1/2014 Aitken D10/40
- D713,381 S * 9/2014 Riggs D14/214
- D760,093 S * 6/2016 Funk D10/1
- D830,858 S 10/2018 Rogers et al.
- D833,416 S * 11/2018 Hu D14/204
- D874,949 S * 2/2020 Kim D10/46.1
- D875,554 S * 2/2020 Bai D10/15
- D886,789 S * 6/2020 Huang D14/204

- D897,224 S * 9/2020 Bai D10/41
- D897,992 S * 10/2020 Chan D14/214
- D912,533 S * 3/2021 Yu D10/15
- D923,604 S * 6/2021 Guo D14/214
- D929,241 S * 8/2021 Yu D10/2

FOREIGN PATENT DOCUMENTS

CN 202130074485.X * 2/2021

OTHER PUBLICATIONS

Portable Gym Workout Timer | amazon.com; date first available Apr. 2, 2021 [online]. © 1996-2022 Amazon.com, Inc [retrieved Jan. 11, 2022] from Internet: <https://www.amazon.com/Portable-Workout-Fitness-Magnetic-Digital/dp/B08VS58RBM?crd=2Y8U47UZAIRCE&dchild=1&keywords=slevio+gym+timer&qid=1619071735&sprefix=slevio+g,automotive,372&sr=8-5&linkCode=sll1&tag=a03c8bf3-20&linkId=861ae81cdc2b84ed96a7ffb3bc63bea&language=en_US&ref_=as_li_ss_tl> (Year: 2021).*

(Continued)

Primary Examiner — Katherine Glennon

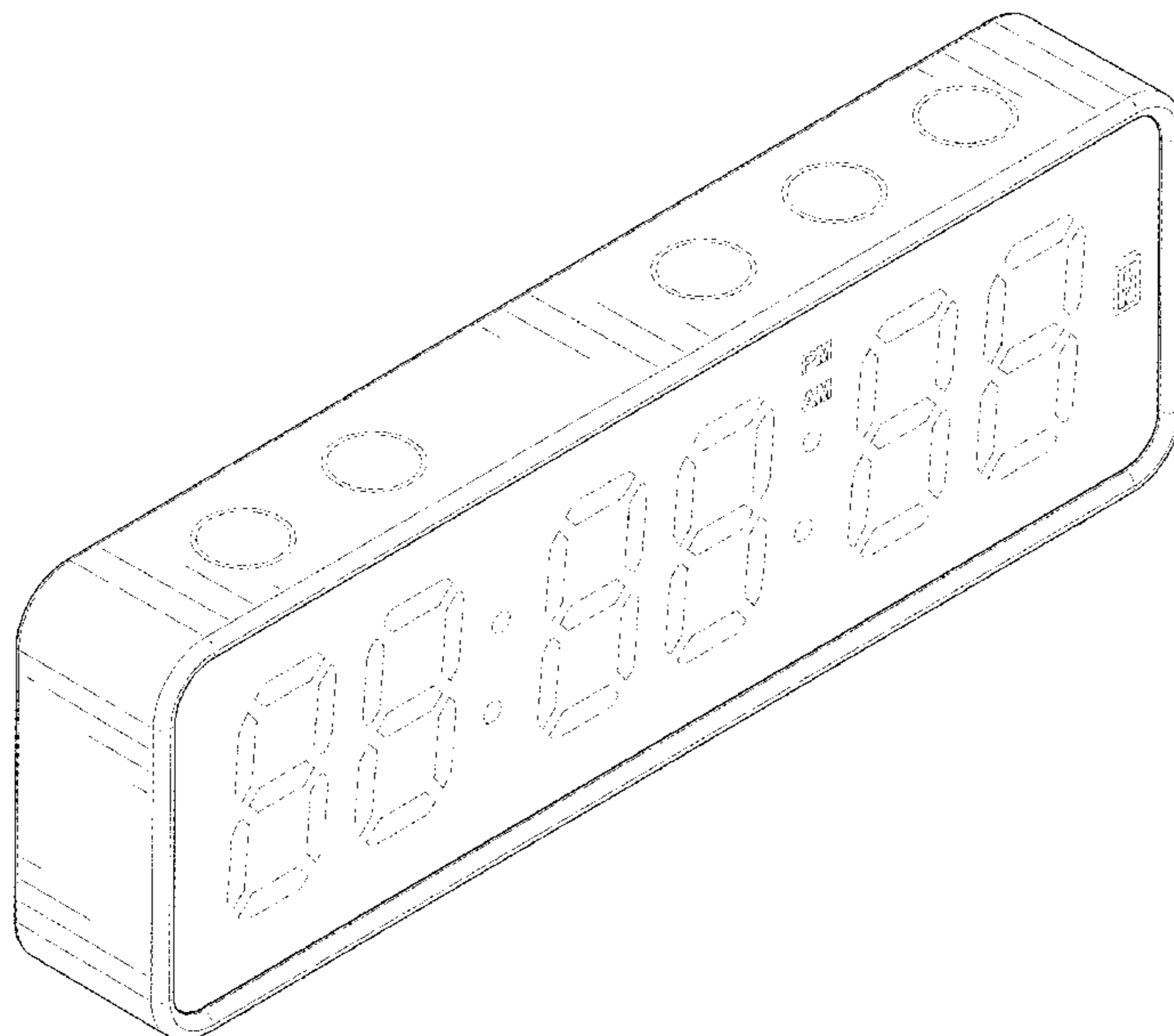
(57) **CLAIM**

The ornamental design for a timer, as shown and described.

DESCRIPTION

FIG. 1 is a front and top perspective view of a timer, showing my new design;
FIG. 2 is a rear and bottom perspective view thereof;
FIG. 3 is a front elevation view thereof;
FIG. 4 is a rear elevation view thereof;
FIG. 5 is a left side elevation view thereof;
FIG. 6 is a right side elevation view thereof;
FIG. 7 is a top plan view thereof; and,
FIG. 8 is a bottom plan view thereof.
The broken lines in the figures illustrate portions of the timer that form no part of the claimed design.

1 Claim, 8 Drawing Sheets



(56)

References Cited

OTHER PUBLICATIONS

Slevio Portable Gym Timer Review | youtube.com; posted by As Many Reviews as Possible on Apr. 24, 2021 [online]. retrieved Jan. 11, 2022] from Internet: <<https://www.youtube.com/watch?v=eZuH05J6wRw>> (Year: 2021).*

Jhering Portable Workout Timer | amazon.com; date first available Apr. 18, 2021 [online]. © 1996-2022, Amazon.com, Inc [retrieved Jan. 11, 2022] from Internet: <<https://www.amazon.com/Jhering-Portable-Interval-Rechargeable-Magnetic/dp/B092TNN44F>> (Year: 2021).*

Slevio Portable Gym Workout Timer | sleviosport.com; no date available [online]. © 2022 Slevio [retrieved Jan. 11, 2022] from Internet: <<https://sleviosport.com/products/slevio-portable-magnetic-gym-workout-timer>> (Year: 2022).*

* cited by examiner

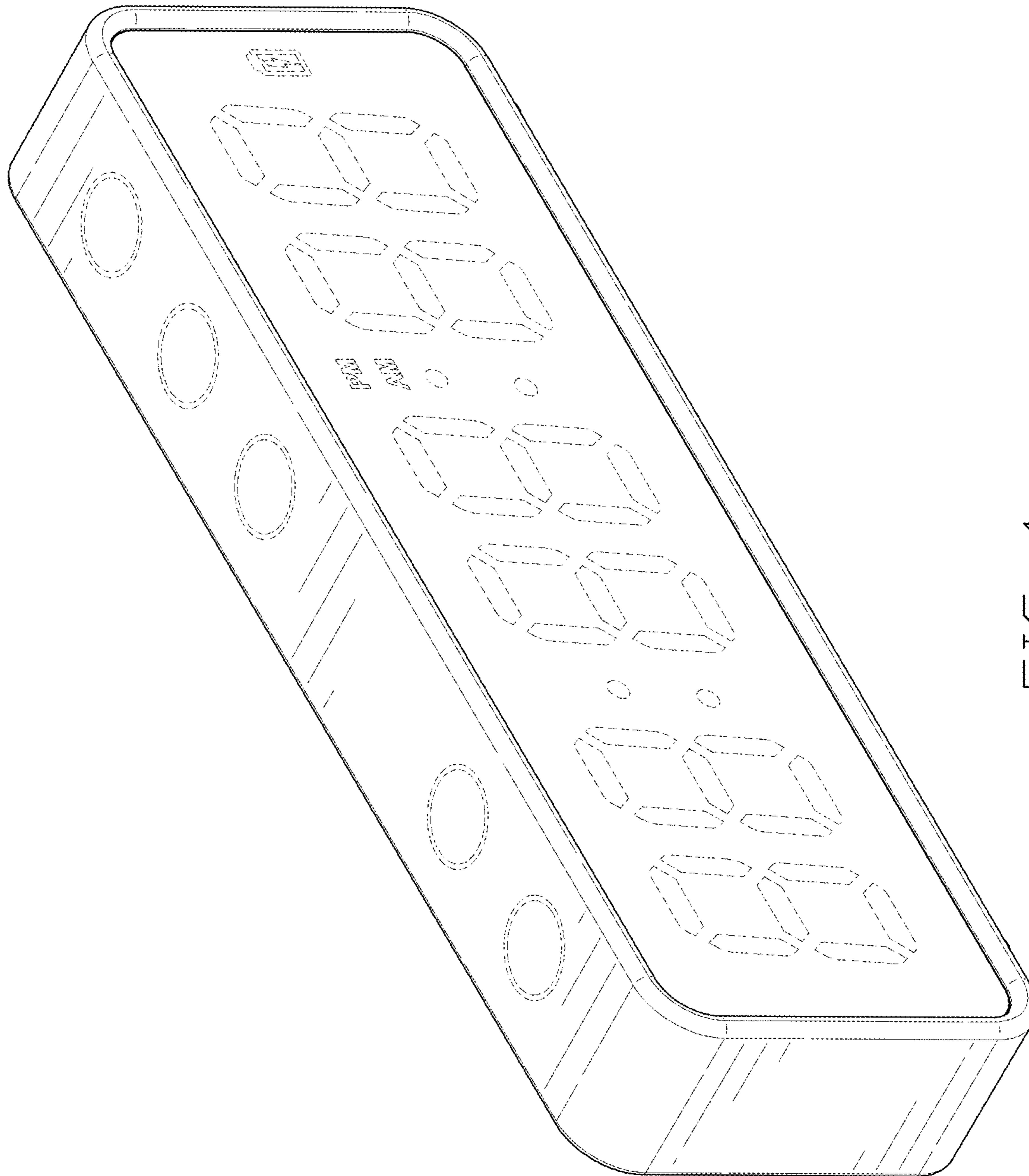


FIG. 1

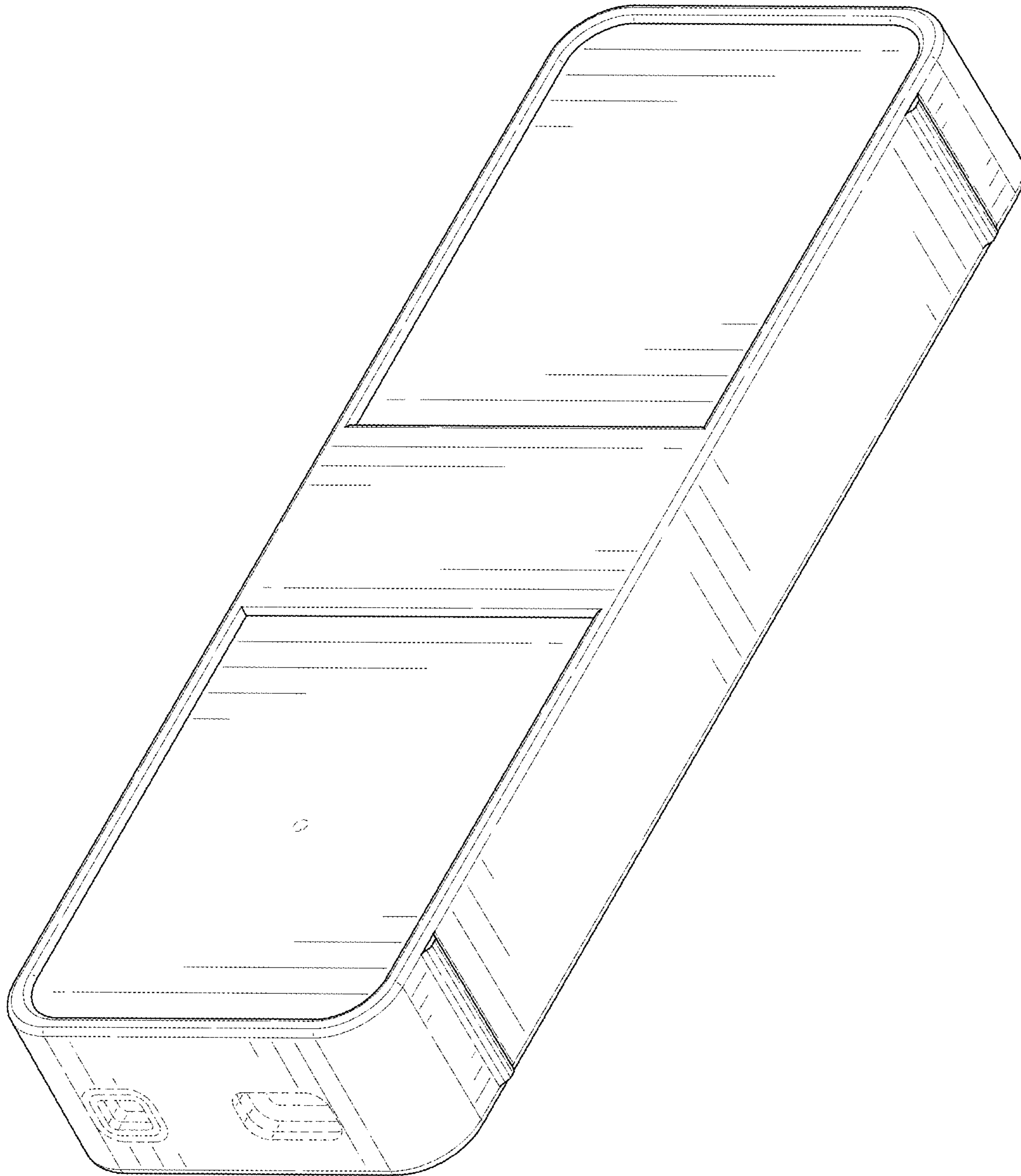


FIG. 2

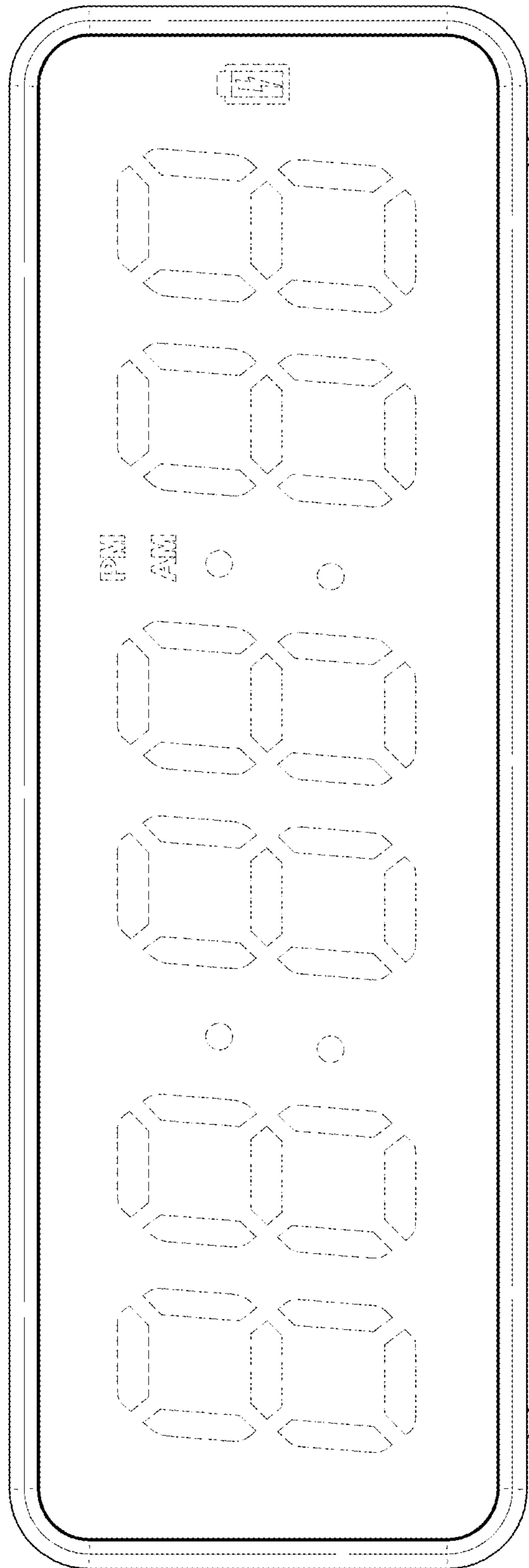


FIG. 3

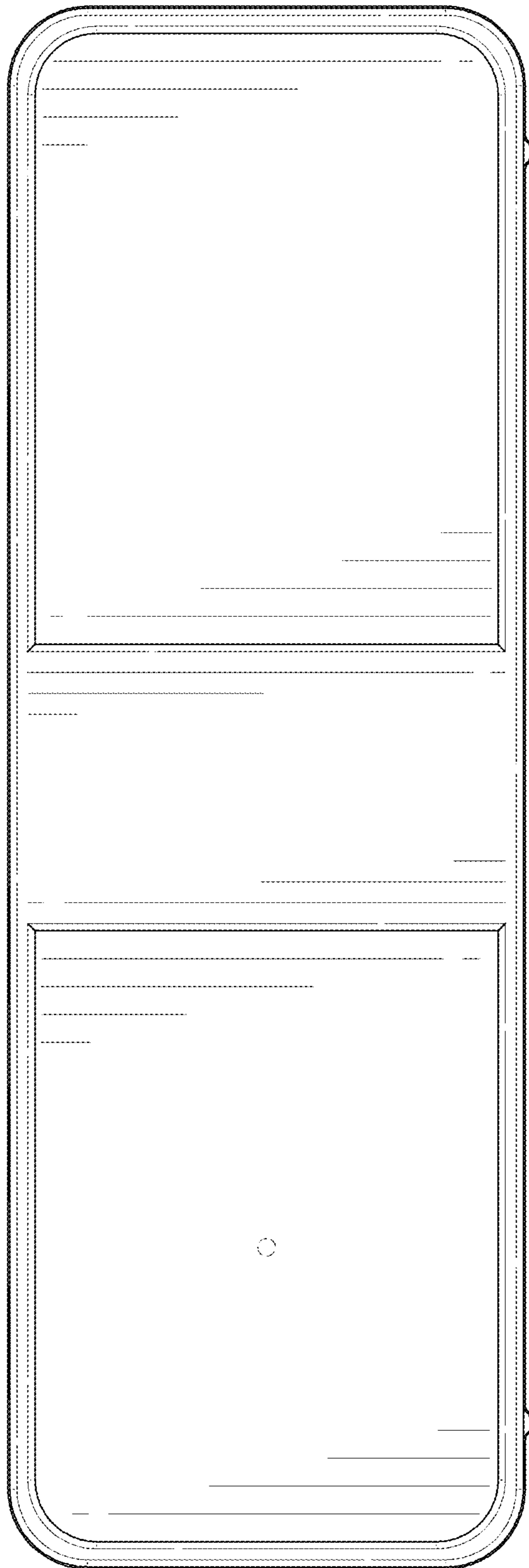


FIG. 4

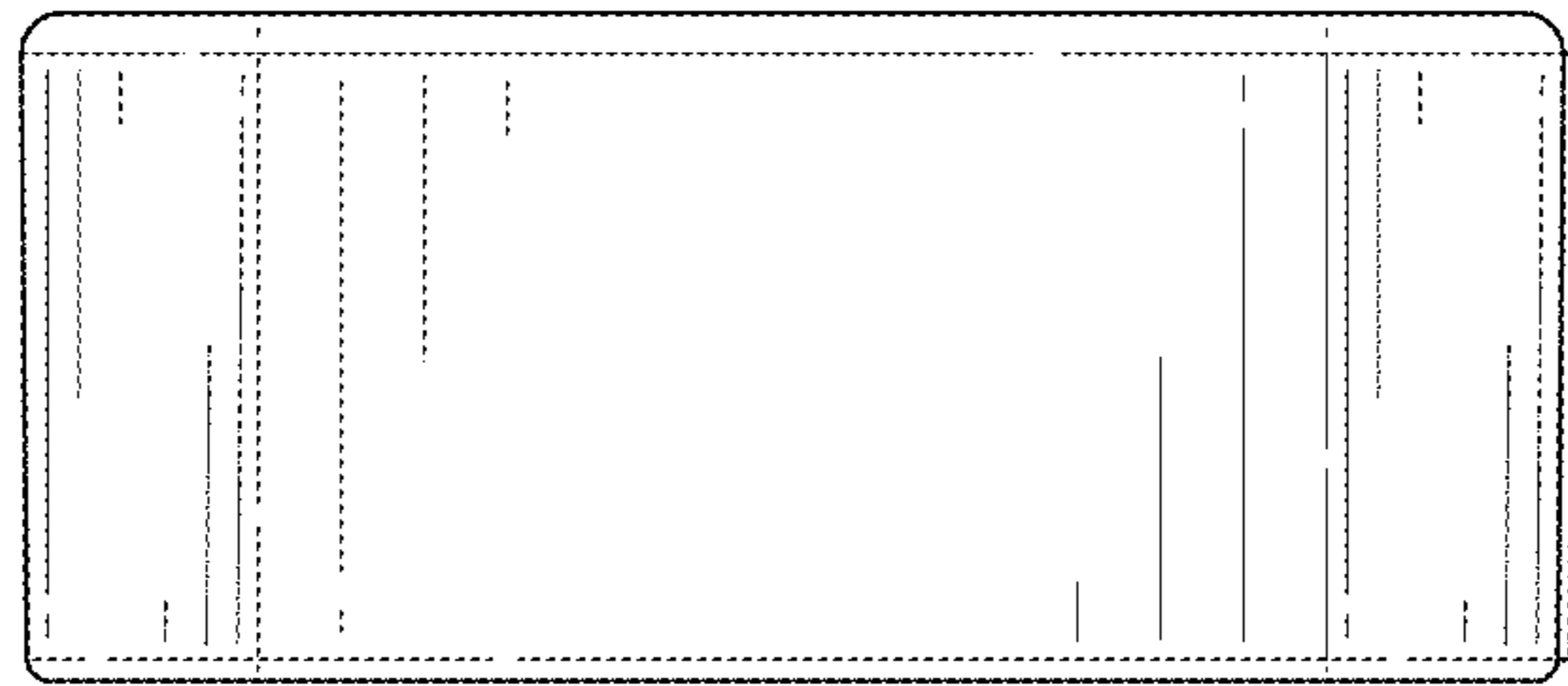


FIG. 5

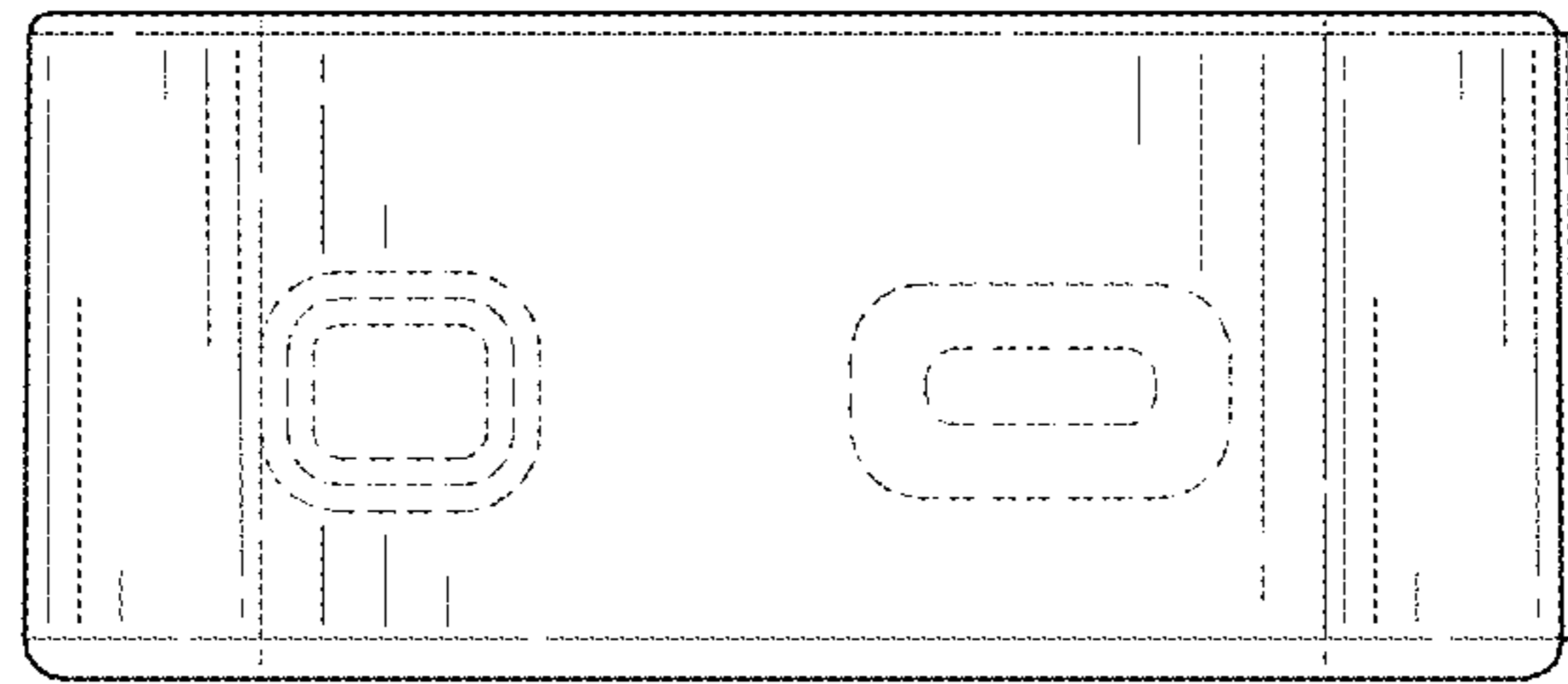


FIG. 6

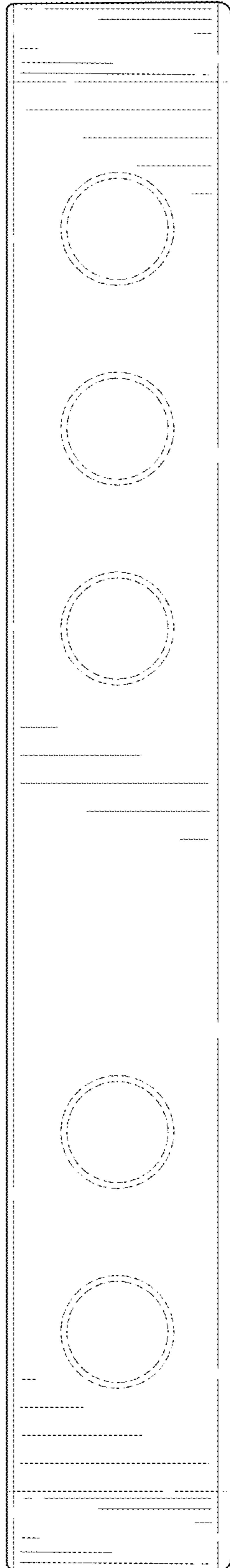


FIG. 7

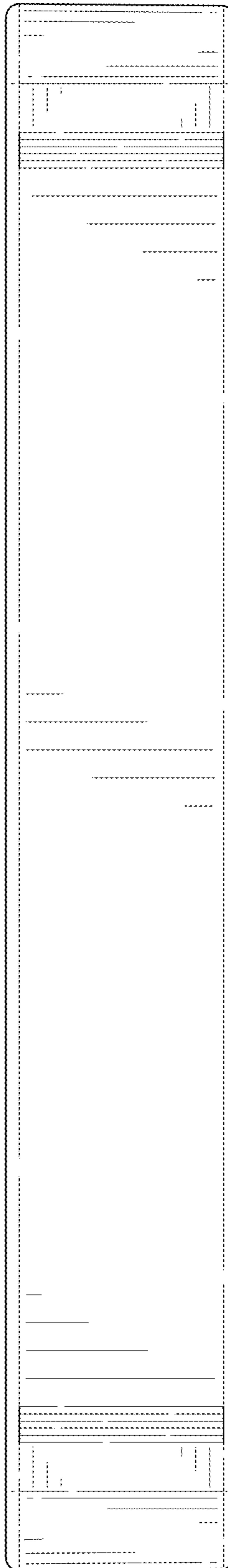


FIG. 8