

US00D959294S

(12) **United States Design Patent** (10) **Patent No.:** **US D959,294 S**
Buchmann (45) **Date of Patent:** **** Aug. 2, 2022**

(54) **WRIST WATCH**

(56) **References Cited**

(71) Applicant: **Czapek & Cie LTD**, Geneva (CH)
 (72) Inventor: **Adrian Buchmann**, Hanley-on-Thames (GB)

U.S. PATENT DOCUMENTS

D382,213 S *	8/1997	Schick	D10/39
D391,174 S *	2/1998	Modolo	D10/128
D559,123 S *	1/2008	Modolo	D10/32
D679,200 S *	4/2013	Jacquerye	D10/39
D679,201 S *	4/2013	Jacquerye	D10/39
D761,130 S *	7/2016	Soares	D10/126
D912,538 S *	3/2021	Tysander	D10/32

(**) Term: **15 Years**

(21) Appl. No.: **35/511,621**

* cited by examiner

(22) Filed: **Sep. 24, 2020**

Primary Examiner — George D. Kirschbaum

(80) **Hague Agreement Data**

(57) **CLAIM**

Int. Filing Date: **Sep. 24, 2020**
 Int. Reg. No.: **DM/211167**
 Int. Reg. Date: **Sep. 24, 2020**
 Int. Reg. Pub. Date: **Mar. 26, 2021**

The ornamental design for a wrist watch, as shown and described.

(51) **LOC (13) Cl.** **10-02**

DESCRIPTION

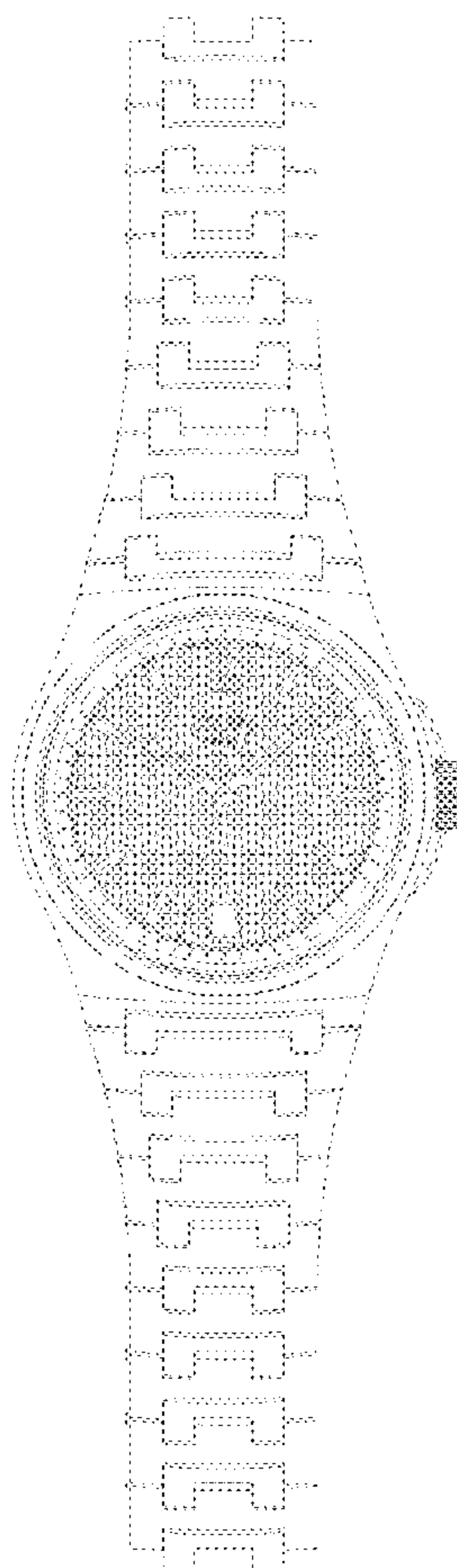
(52) **U.S. Cl.**
 USPC **D10/39**

- 1. Wrist watch
- 1.1 : Top
- 1.2 : Bottom
- 1.3 : Left
- 1.4 : Right
- 1.5 : Front
- 1.6 : Back
- 1.7 : Perspective
- 1.8 : Perspective

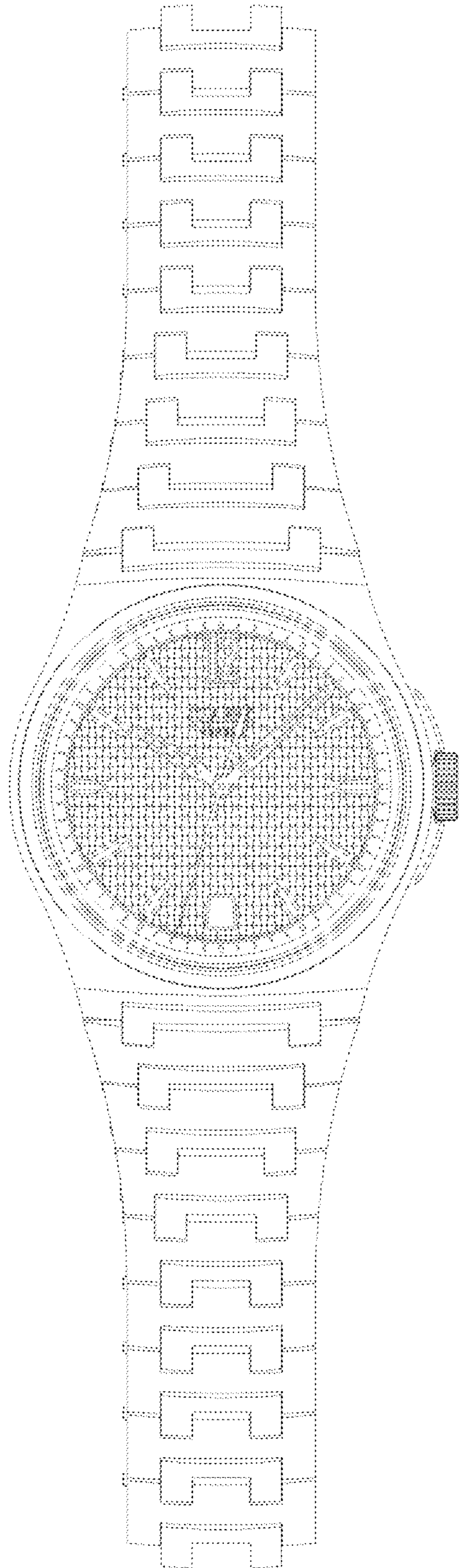
(58) **Field of Classification Search**
 USPC D10/30, 32, 38, 39, 126
 CPC G06F 1/14; G04G 21/08; G04G 9/0064;
 G04B 43/002

See application file for complete search history.

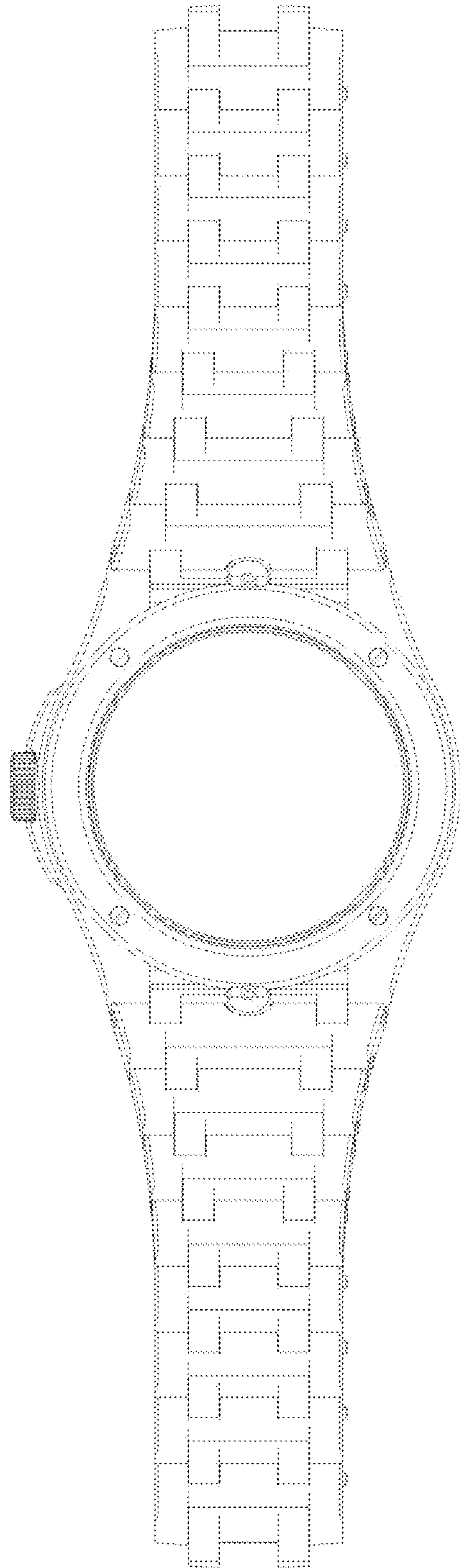
1 Claim, 8 Drawing Sheets

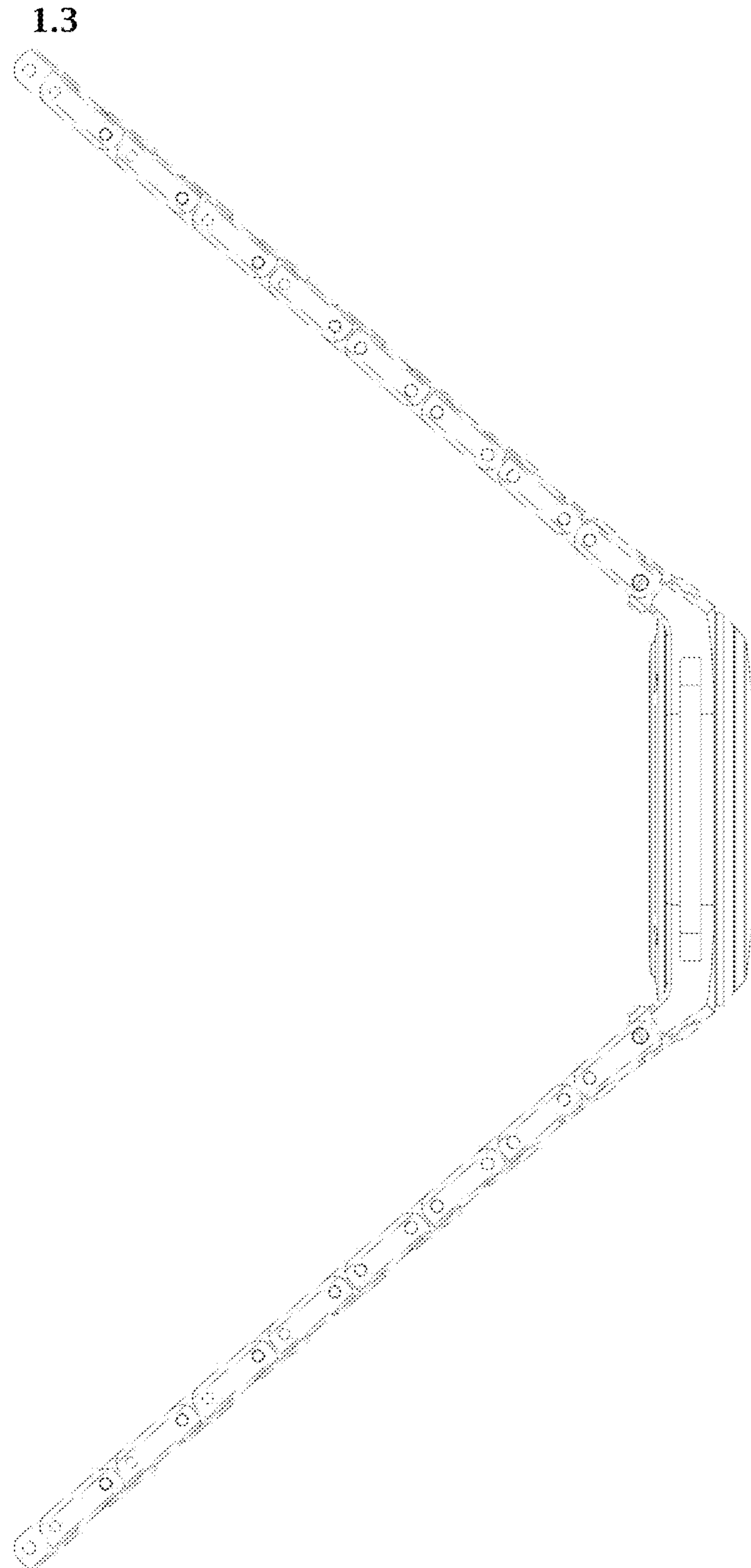


1.1

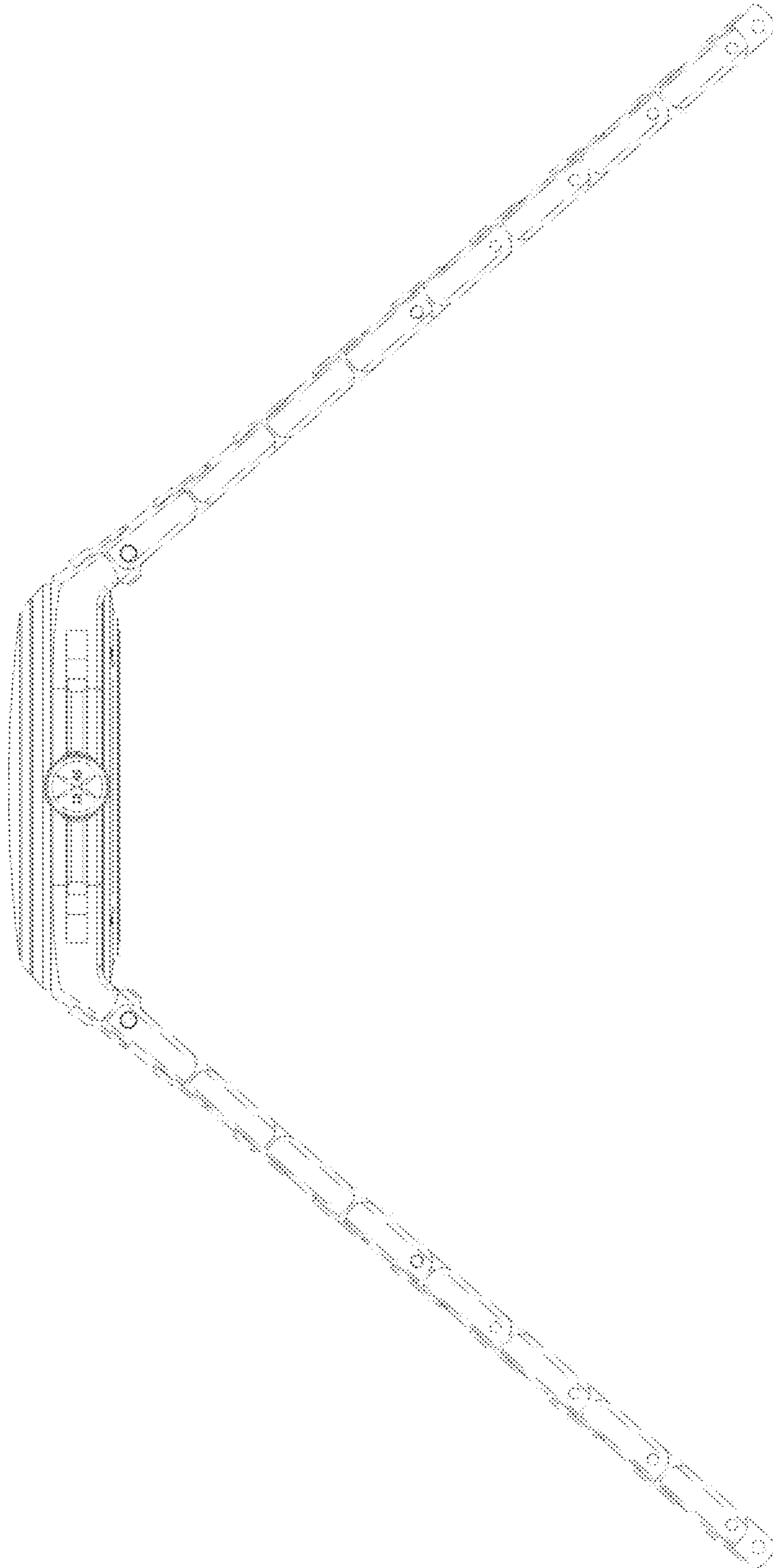


1.2

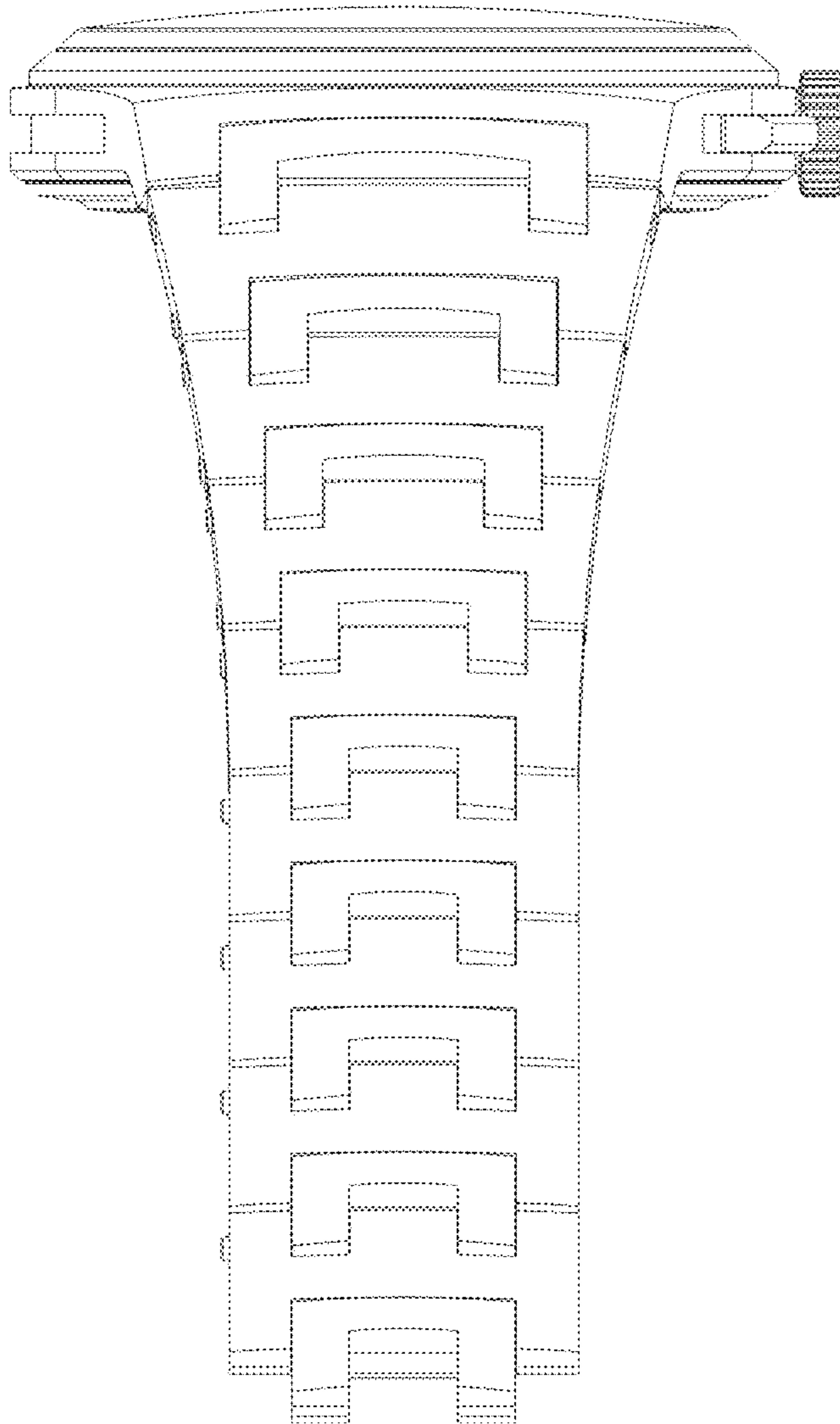




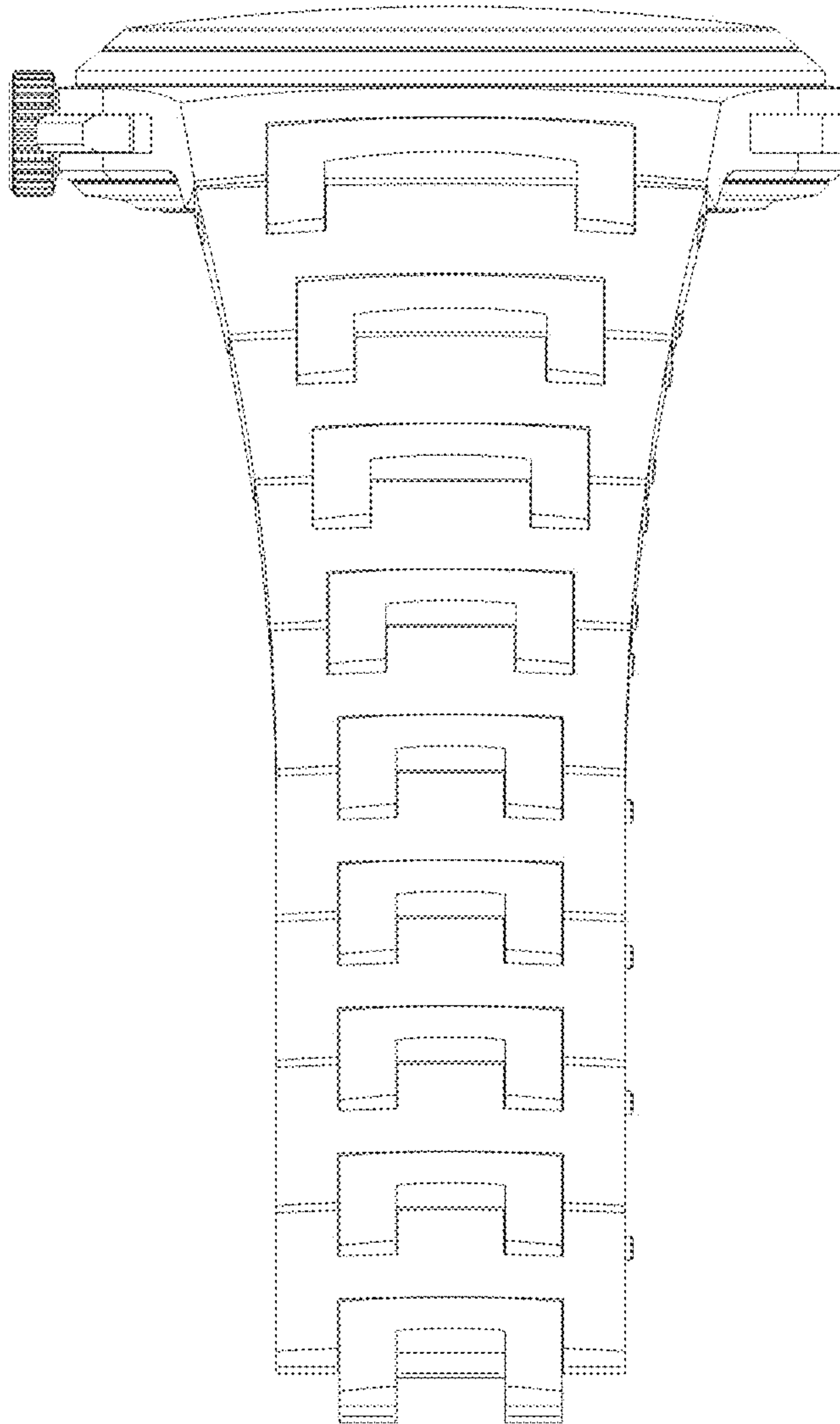
1.4



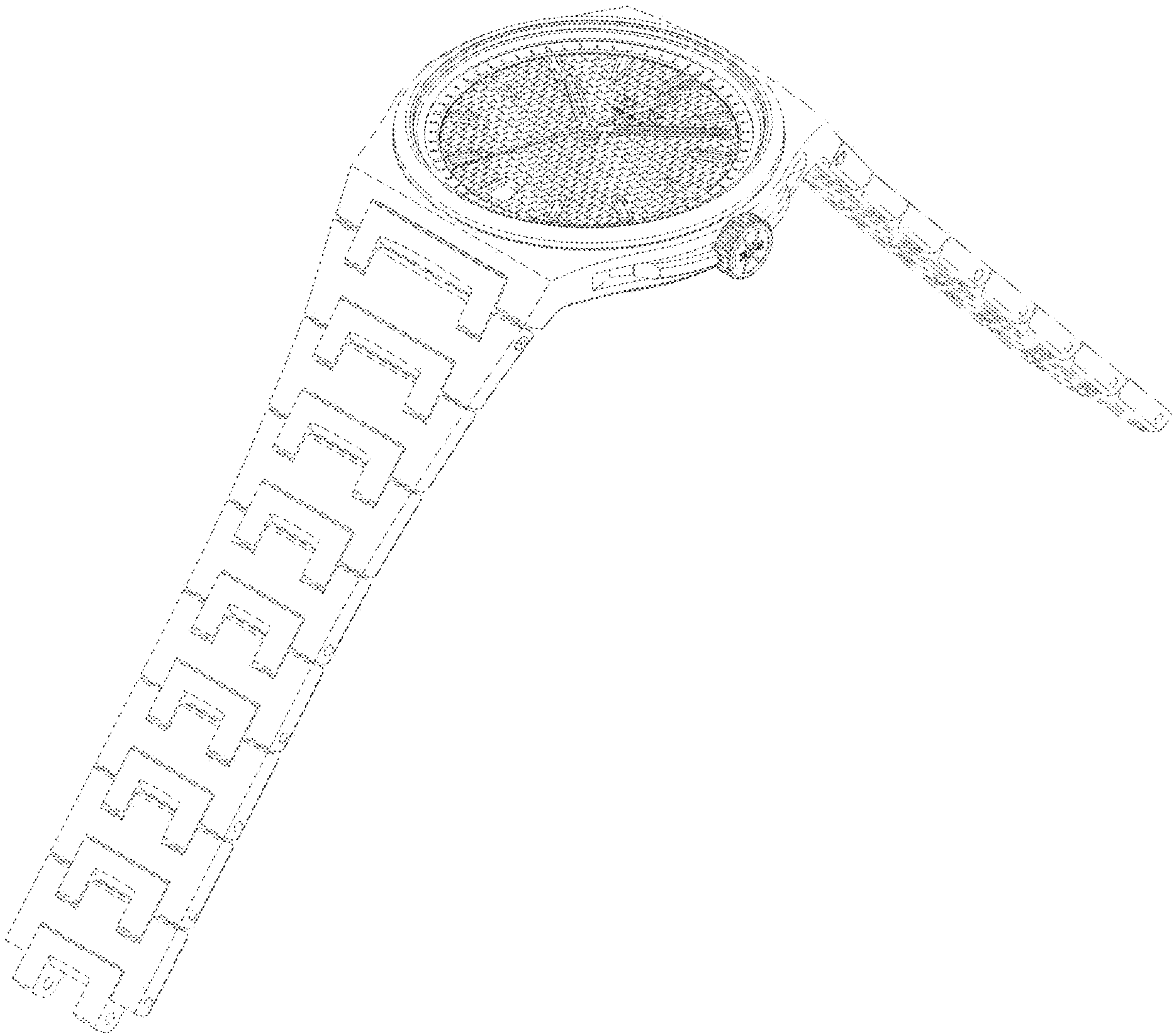
1.5



1.6



1.7



1.8

