



US00D959293S

(12) **United States Design Patent**  
**Behling et al.**

(10) **Patent No.:** **US D959,293 S**

(45) **Date of Patent:** **\*\* Aug. 2, 2022**

(54) **WATCH CASE WITH DIAL**

(71) Applicant: **LVMH SWISS MANUFACTURES SA, La Chaux-de-Fonds (CH)**

(72) Inventors: **Christoph Behling, Londres (GB); Guy Bove, Geneva (CH)**

(\*\*) Term: **15 Years**

(21) Appl. No.: **35/510,918**

(22) Filed: **Jun. 11, 2020**

(80) **Hague Agreement Data**

Int. Filing Date: **Jun. 11, 2020**

Int. Reg. No.: **DM/209637**

Int. Reg. Date: **Jun. 11, 2020**

Int. Reg. Pub. Date: **Dec. 11, 2020**

(51) **LOC (13) Cl.** ..... **10-02**

(52) **U.S. Cl.**  
USPC ..... **D10/39**

(58) **Field of Classification Search**  
USPC ..... D10/30, 31, 38, 39  
CPC ..... A41D 19/0027  
See application file for complete search history.

(56) **References Cited**

**U.S. PATENT DOCUMENTS**

D655,630 S \* 3/2012 Behling ..... D10/38  
D658,517 S \* 5/2012 Behling ..... D10/39

D658,518 S \* 5/2012 Behling ..... D10/39  
D692,322 S \* 10/2013 Behling ..... D10/39  
D744,863 S \* 12/2015 Behling ..... D10/30  
D744,865 S \* 12/2015 Behling ..... D10/30  
D759,510 S \* 6/2016 Belamich ..... D10/39  
D881,025 S \* 4/2020 Behling ..... A41D 19/0027  
D10/38  
D887,288 S \* 6/2020 Behling ..... A41D 19/0027  
D10/38  
D924,699 S \* 7/2021 Gonet ..... D10/39

\* cited by examiner

*Primary Examiner* — George D. Kirschbaum

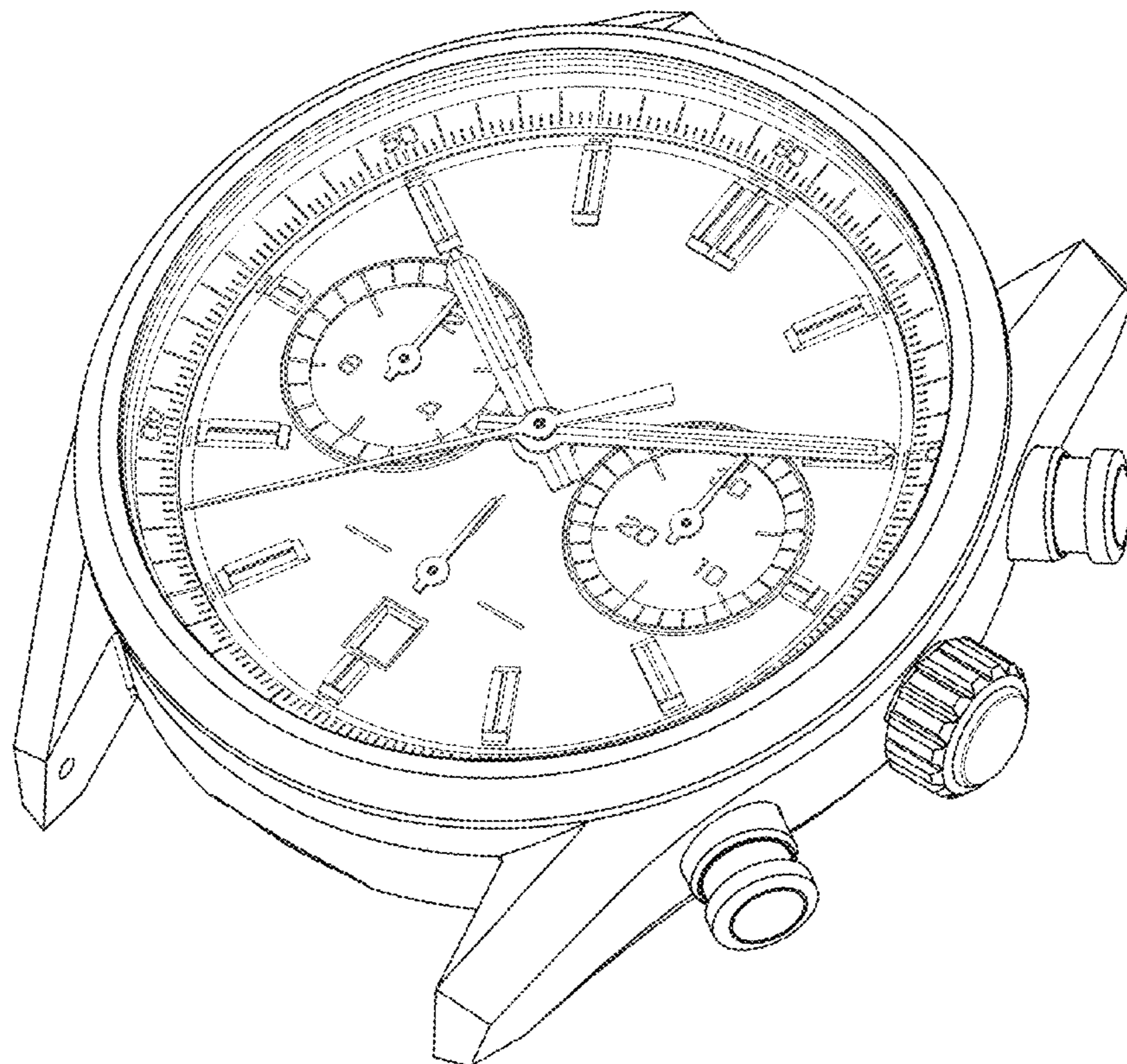
(57) **CLAIM**

The ornamental design for a watch case with dial, as shown and described.

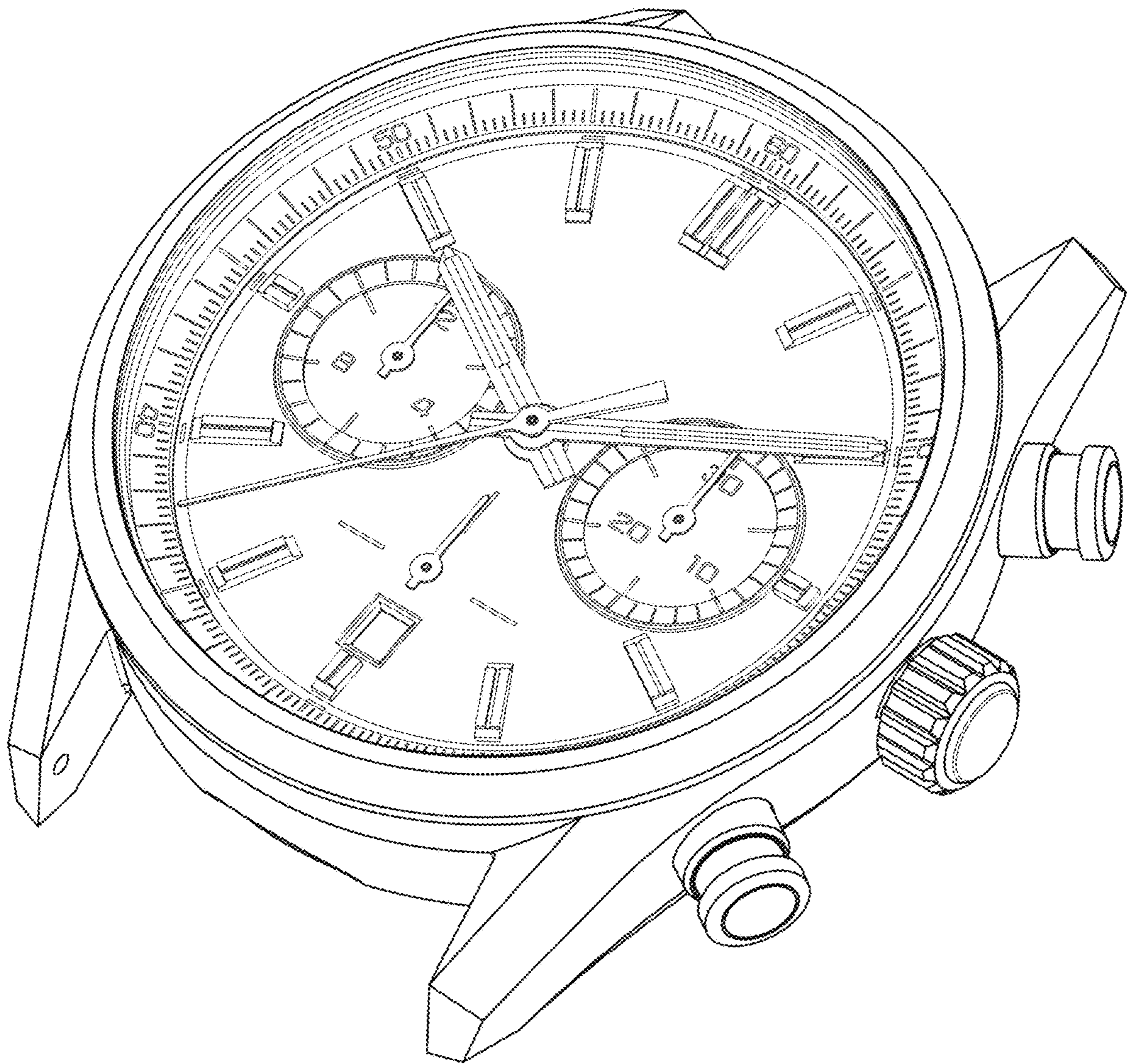
**DESCRIPTION**

FIG. 2.1 is a perspective view of watch case with dial showing our new design;  
FIG. 2.2 is a front view thereof;  
FIG. 2.3 is a back view thereof;  
FIG. 2.4 is a top view thereof;  
FIG. 2.5 is a bottom view thereof;  
FIG. 2.6 is a left view thereof; and  
FIG. 2.7 is a right view thereof.

**1 Claim, 7 Drawing Sheets**



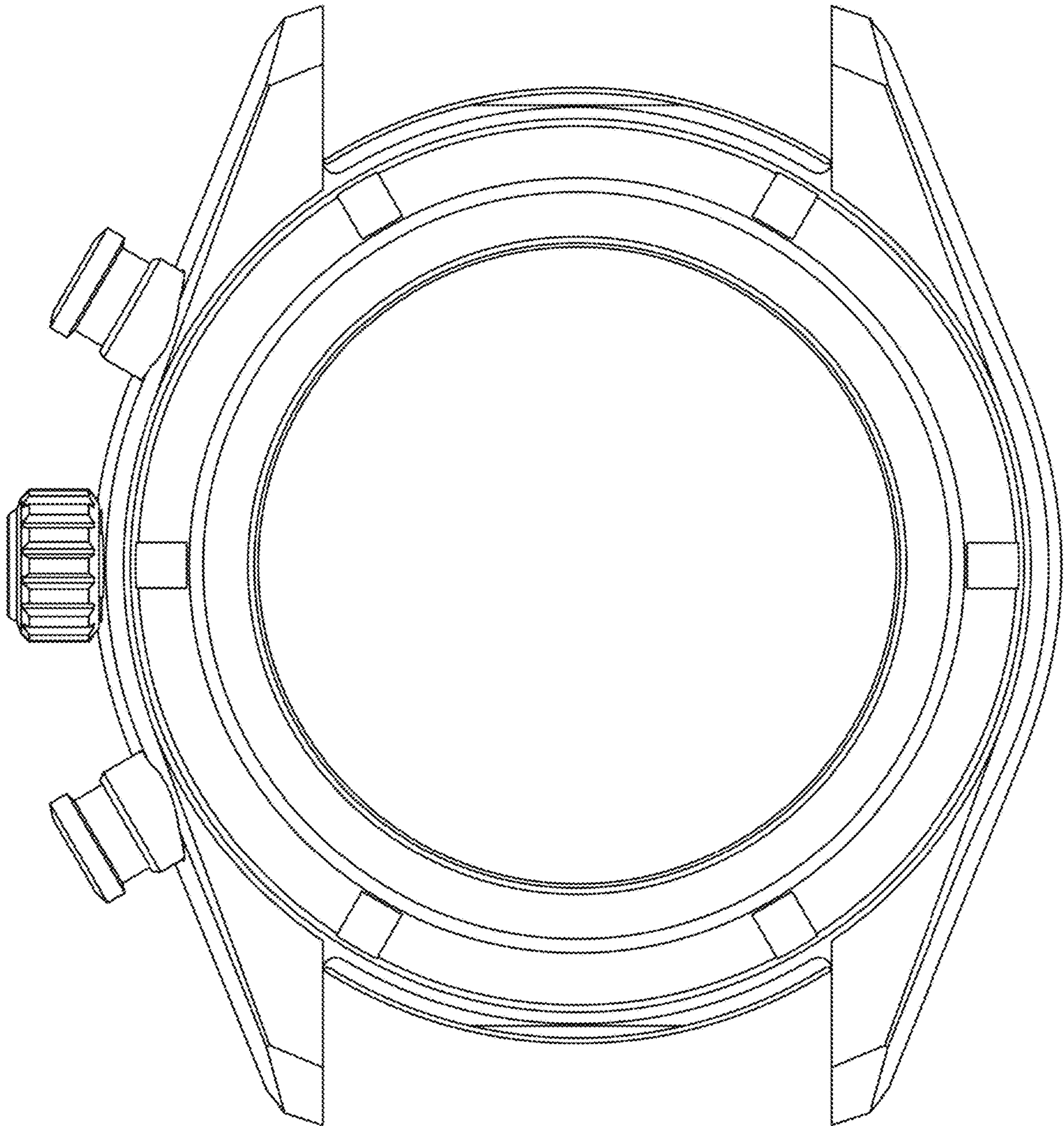
2.1



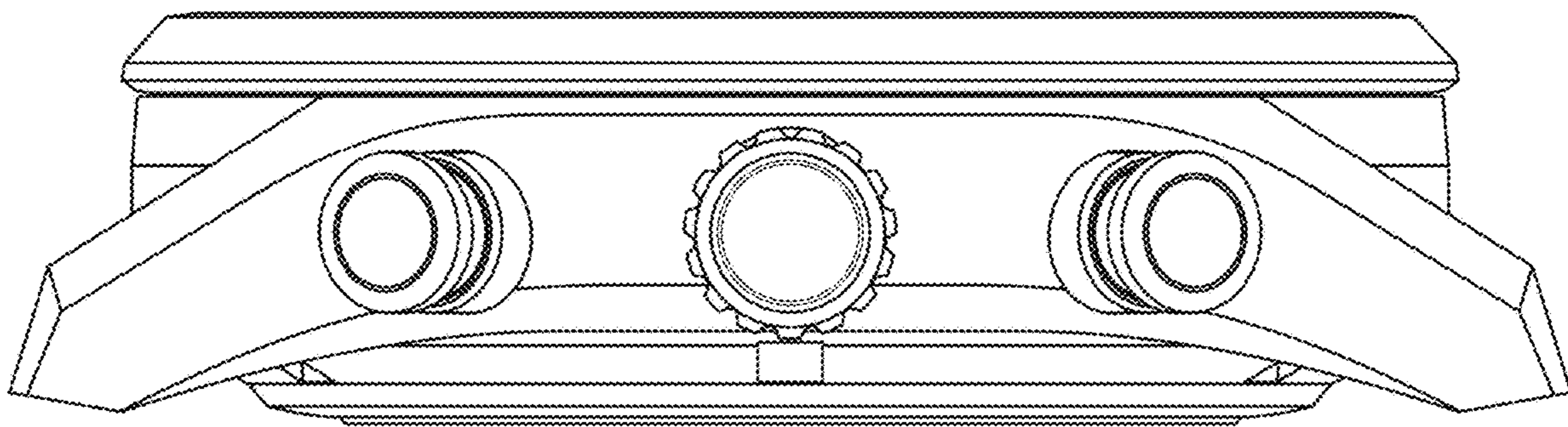
2.2



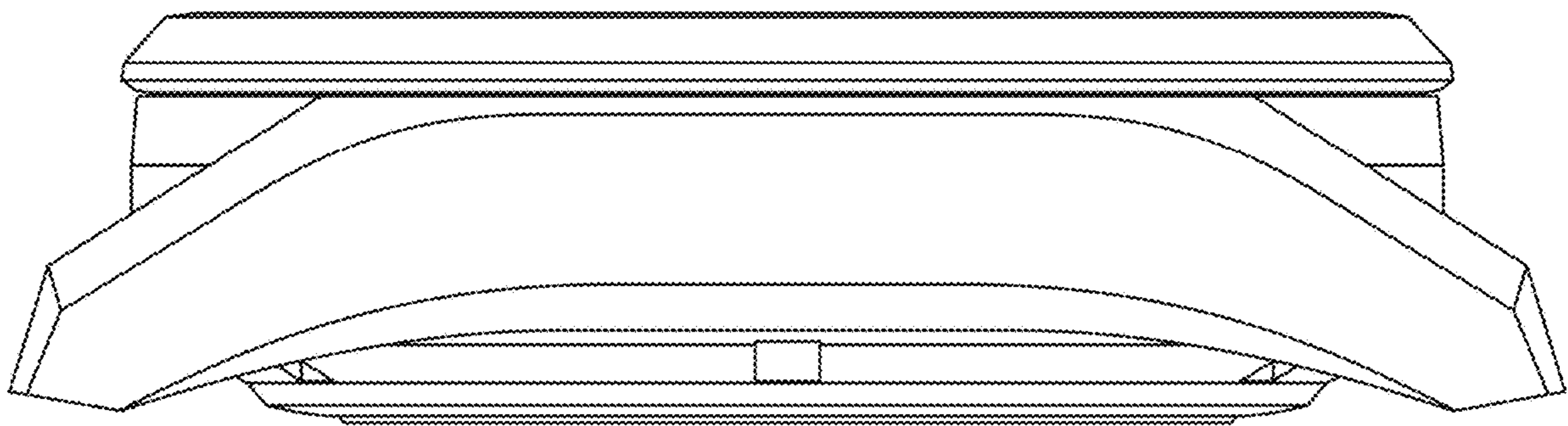
2.3



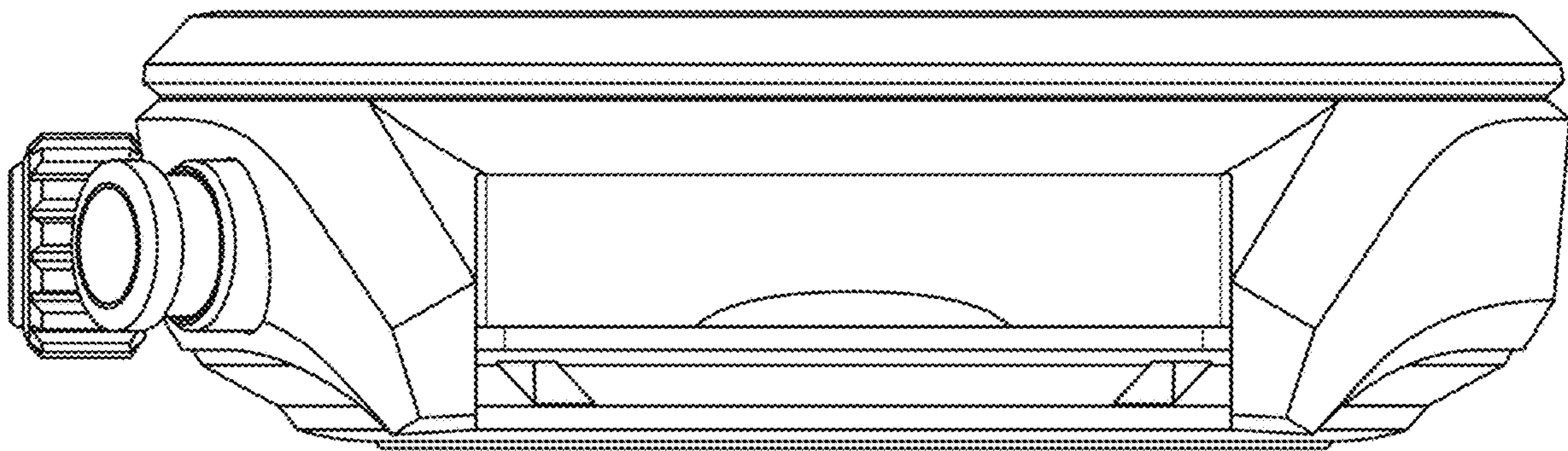
2.4



2.5



2.6



2.7

