



US00D959291S

(12) **United States Design Patent**
Mille

(10) **Patent No.:** **US D959,291 S**
(45) **Date of Patent:** **** Aug. 2, 2022**

(54) **WATCH**

FOREIGN PATENT DOCUMENTS

(71) Applicant: **Turlen Holding SA**, Les Breuleux (CH)

WO WO-2017221188 A1 * 12/2017

(72) Inventor: **Richard Mille**, Moulins (FR)

OTHER PUBLICATIONS

(73) Assignee: **Turlen Holding SA**, Les Breuleux (CH)

Introducing the Richard Mille RM030 Le Mans Classic | watchesbysjx.com; posted Jul. 2014 [online], © SJX 2011-2022 [retrieved Mar. 25, 2022] from Internet: <https://watchesbysjx.com/2014/07/introducing-the-richard-mille-rm030-le-mans-classic-in-white-atz-ceramic.html> (Year: 2014).*

(**) Term: **15 Years**

(21) Appl. No.: **29/744,999**

(22) Filed: **Aug. 3, 2020**

Primary Examiner — Katherine Glennon

(30) **Foreign Application Priority Data**

(74) *Attorney, Agent, or Firm* — Rothwell, Figg, Ernst & Manbeck, P.C.

Feb. 4, 2020 (WO) WIPO91722

(51) **LOC (13) Cl.** **10-02**

(57) **CLAIM**

(52) **U.S. Cl.**
USPC **D10/39**

The ornamental design for a watch, as shown and described.

(58) **Field of Classification Search**
USPC D10/30-39, 126-129, 131-132
CPC G04B 19/00; G04B 19/02; G04B 19/025;
G04B 19/04; G04B 19/042; G04B 19/06;
G04B 19/065; G04B 19/08; G04B
19/085; G04B 19/087; G04B 19/10;
G04B 19/103; G04B 19/106; G04B
19/12; G04B 19/18; G04B 19/24; G04B
19/28; G04B 19/32; G04B 37/00; G04B
37/0058; G04B 37/14; G04B 37/1446;
G04B 37/18; G04B 45/0046; G04B
45/0069; G04B 45/0076

DESCRIPTION

See application file for complete search history.

The application contains at least one drawing executed in color. Copies of this patent or patent application publication with color drawings will be provided by the Office upon request and payment of the necessary fee.

FIG. 1 is a right side perspective front view of a watch showing my new design;

FIG. 2 is a left side perspective front view thereof;

FIG. 3 is a right side perspective rear view thereof;

FIG. 4 is a left side perspective rear view thereof;

FIG. 5 is a front view thereof;

FIG. 6 is a rear view thereof;

FIG. 7 is a left side view thereof;

FIG. 8 is a right side view thereof;

FIG. 9 is a top view thereof; and,

FIG. 10 is a bottom view thereof.

Color is considered an integral part of the disclosed and claimed design.

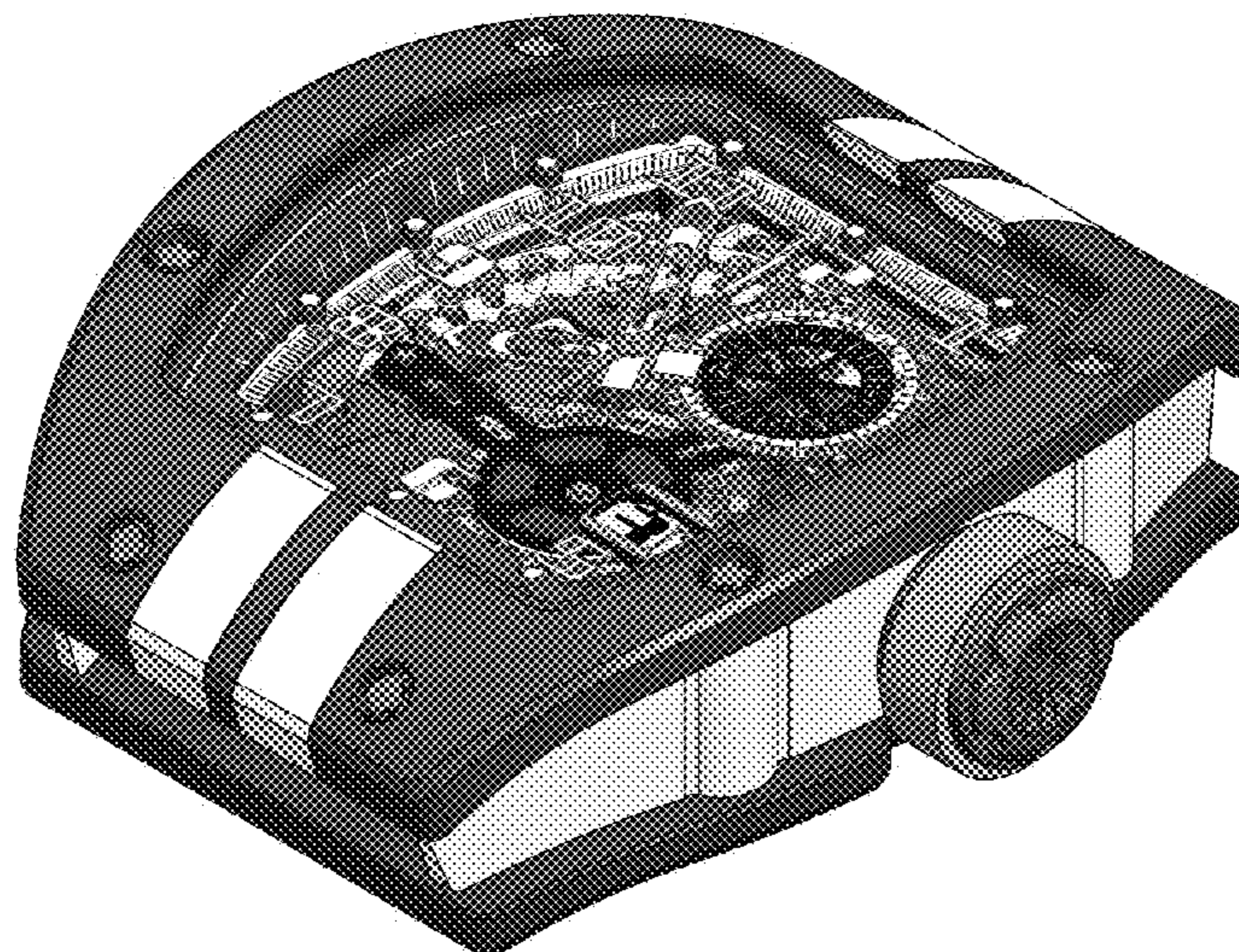
(56) **References Cited**

U.S. PATENT DOCUMENTS

D456,274 S *	4/2002	Mille	D10/30
D658,514 S *	5/2012	Mille	D10/39
D658,515 S *	5/2012	Mille	D10/39
D673,868 S *	1/2013	Mille	D10/39
D710,216 S *	8/2014	Mille	D10/38
D714,662 S *	10/2014	Mille	D10/39

(Continued)

1 Claim, 10 Drawing Sheets
(10 of 10 Drawing Sheet(s) Filed in Color)



(56)

References Cited

U.S. PATENT DOCUMENTS

D751,422 S	*	3/2016	Mille	D10/34
D765,521 S	*	9/2016	Mille	D10/34
D798,746 S	*	10/2017	Mille	D10/30
D913,814 S	*	3/2021	Mille	D10/39

* cited by examiner



FIG. 1



FIG. 2



FIG. 3



FIG. 4



FIG. 5



FIG. 6

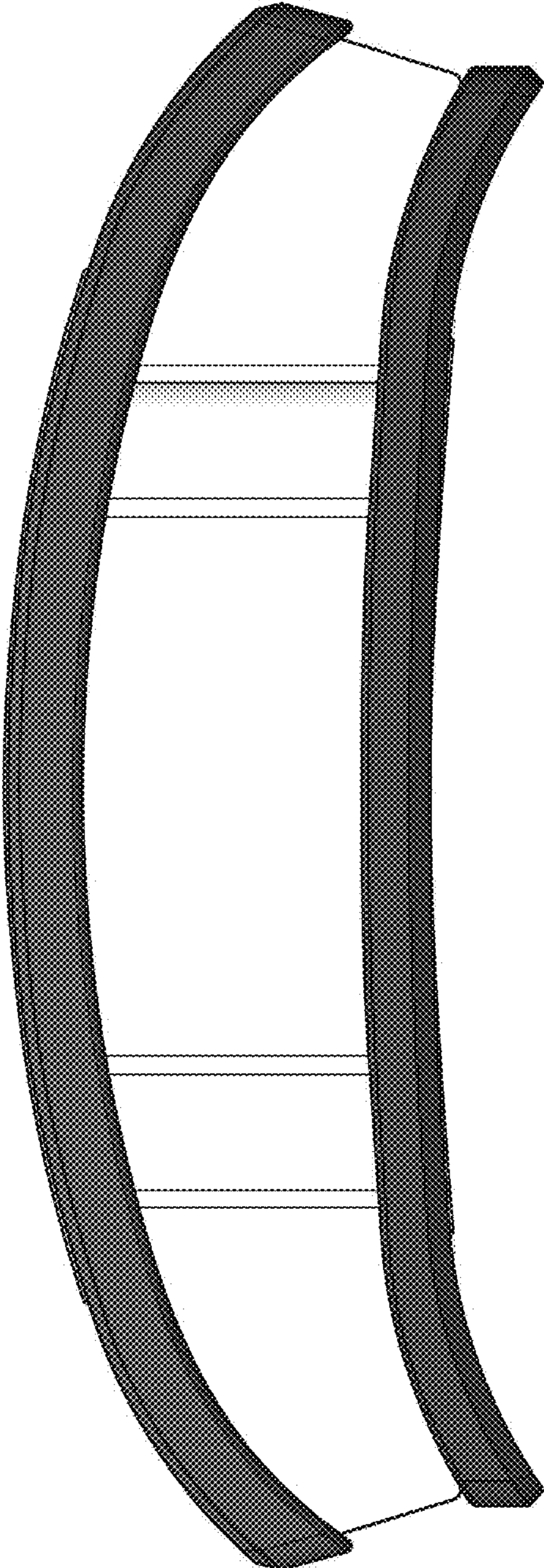


FIG. 7

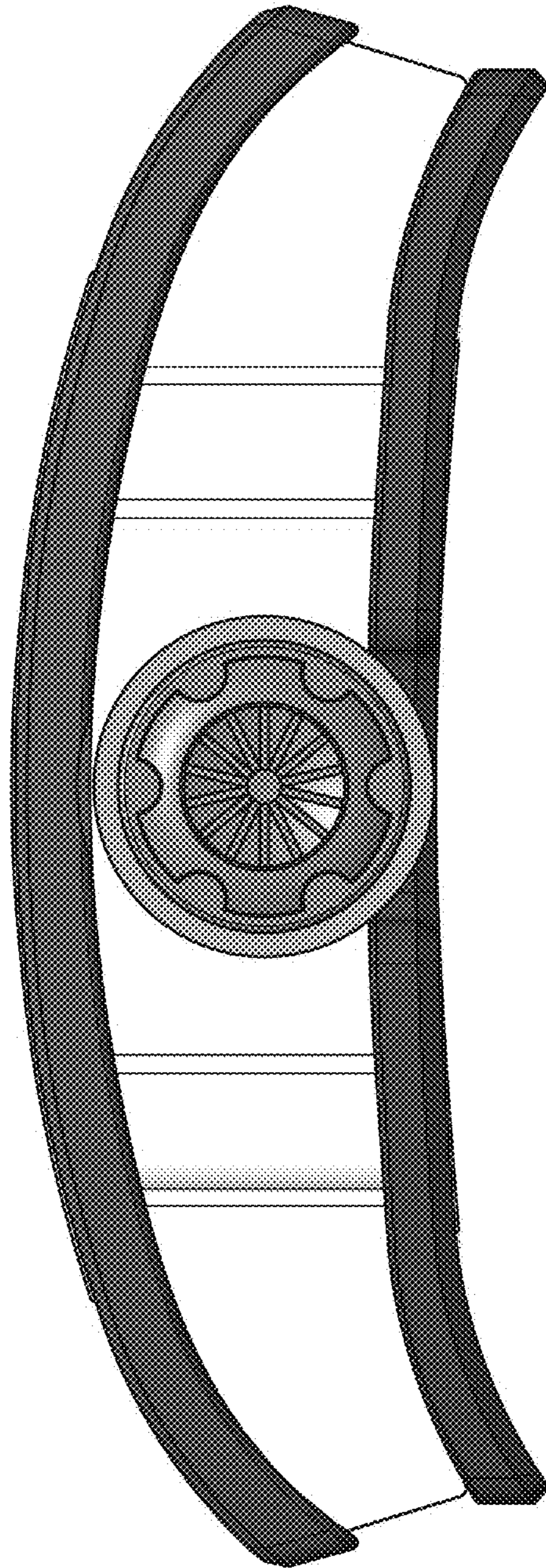


FIG. 8

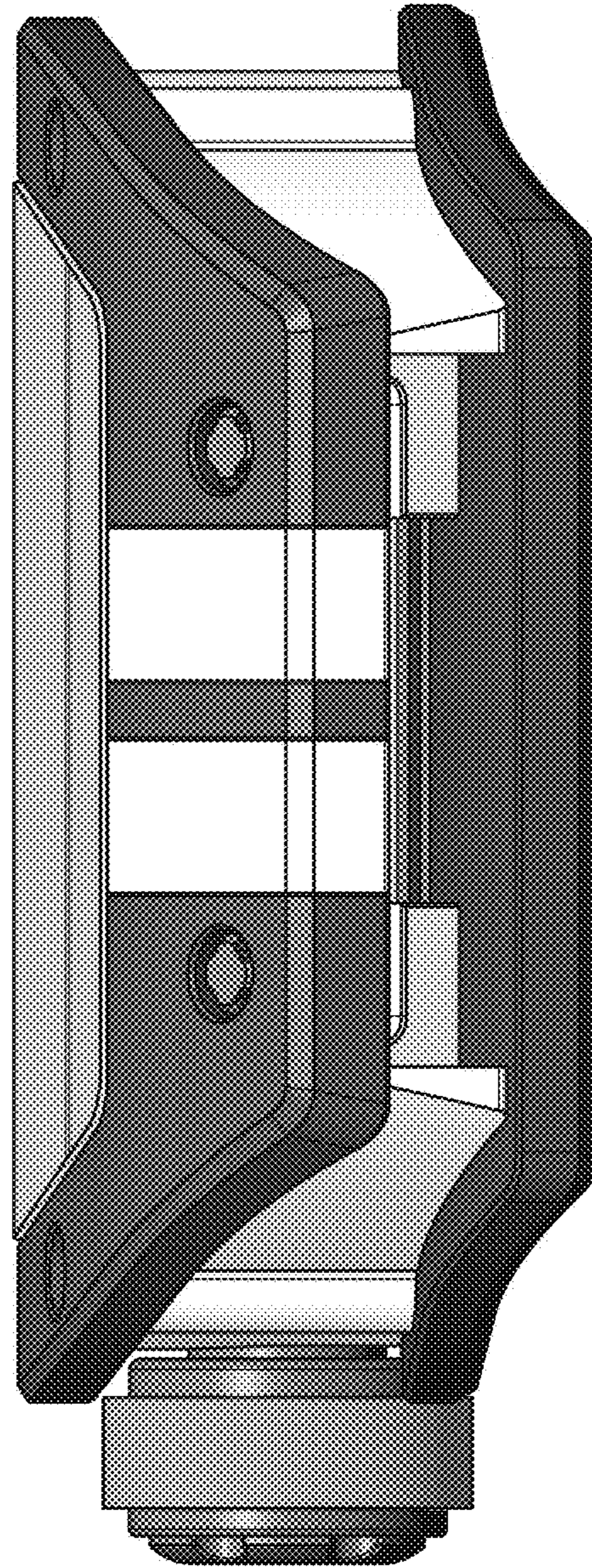


FIG. 9

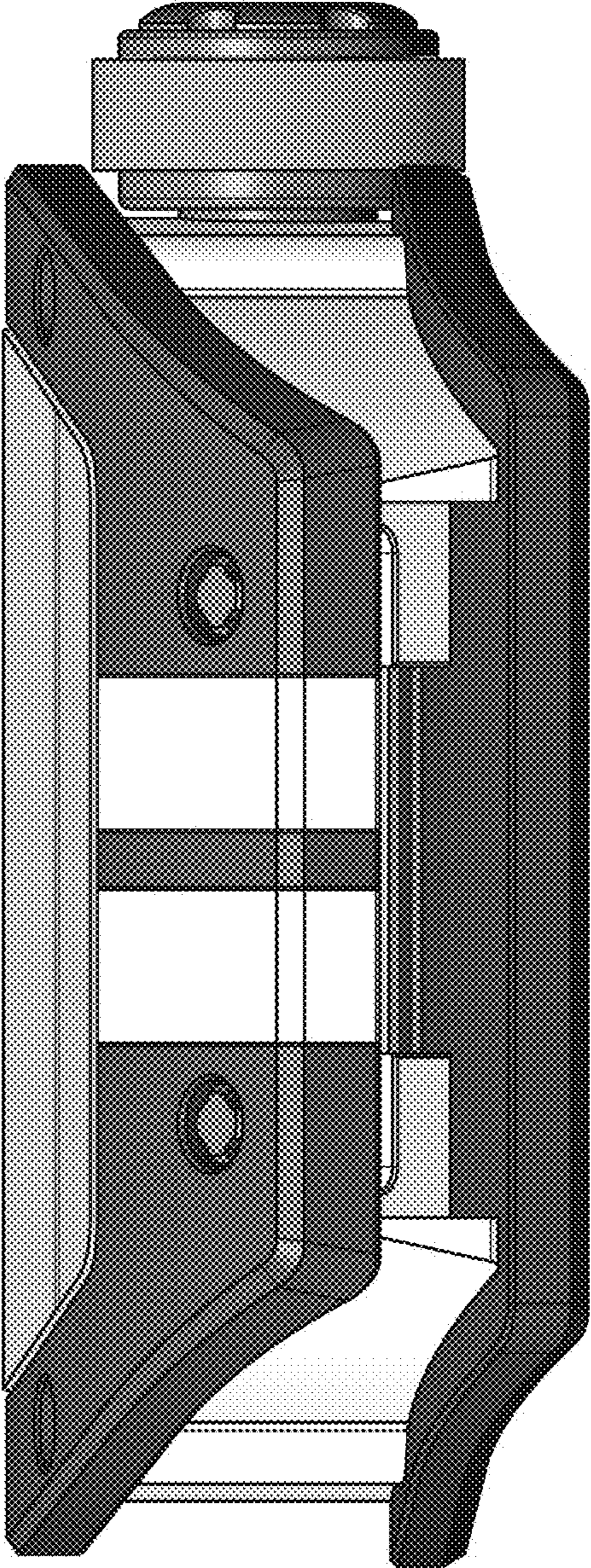


FIG. 10