



US00D959288S

(12) **United States Design Patent**
Yu

(10) **Patent No.:** **US D959,288 S**

(45) **Date of Patent:** **** Aug. 2, 2022**

(54) **DIGITAL CLOCK**

(71) Applicant: **Shenzhen Divoom Technology Co., LTD.**, Guangdong (CN)

(72) Inventor: **Chaoliang Yu**, Guangdong (CN)

(**) Term: **15 Years**

(21) Appl. No.: **29/760,349**

(22) Filed: **Dec. 1, 2020**

(30) **Foreign Application Priority Data**

Jun. 3, 2020 (CN) 202030271360.1

(51) **LOC (13) Cl.** **10-01**

(52) **U.S. Cl.**
USPC **D10/15; D10/6**

(58) **Field of Classification Search**

USPC D10/1-6, 14-15, 24, 29; D14/171-172,
D14/203.1; D24/231

CPC G04G 13/02; G04G 13/022; G04G 13/023;
G04G 13/025; G04G 13/026; G04G
13/028; G04G 17/086; G04G 21/08

See application file for complete search history.

(56) **References Cited**

U.S. PATENT DOCUMENTS

D224,800 S * 9/1972 Nagata D10/15
D239,464 S * 4/1976 Imai D10/15
D245,198 S * 7/1977 Terada D10/2
D252,499 S * 7/1979 Shimasaki D10/15
D264,442 S * 5/1982 Diskin D10/22
D278,889 S * 5/1985 McCain D10/15

D328,713 S * 8/1992 Tsukuda D10/15
D334,930 S * 4/1993 Collins D14/171
6,009,048 A * 12/1999 Raesz A63H 33/30
D21/370
6,657,923 B2 * 12/2003 Laughlin G04C 21/16
368/10
D836,463 S * 12/2018 Hu D10/7
D895,568 S * 9/2020 Yu D14/204
D924,697 S * 7/2021 Peng D10/15

* cited by examiner

Primary Examiner — Katherine Glennon

(74) *Attorney, Agent, or Firm* — Eugenio J. Torres-Oyola;
Victor M. Rodriguez-Reyes; Rafael Rodriguez-Muriel

(57) **CLAIM**

The ornamental design for a digital clock, as shown and described.

DESCRIPTION

FIG. 1 is a front perspective view of a digital clock of the present invention;

FIG. 2 is a rear perspective view thereof;

FIG. 3 is a front elevational view thereof;

FIG. 4 is a rear elevational view thereof;

FIG. 5 is a left-side elevational view thereof;

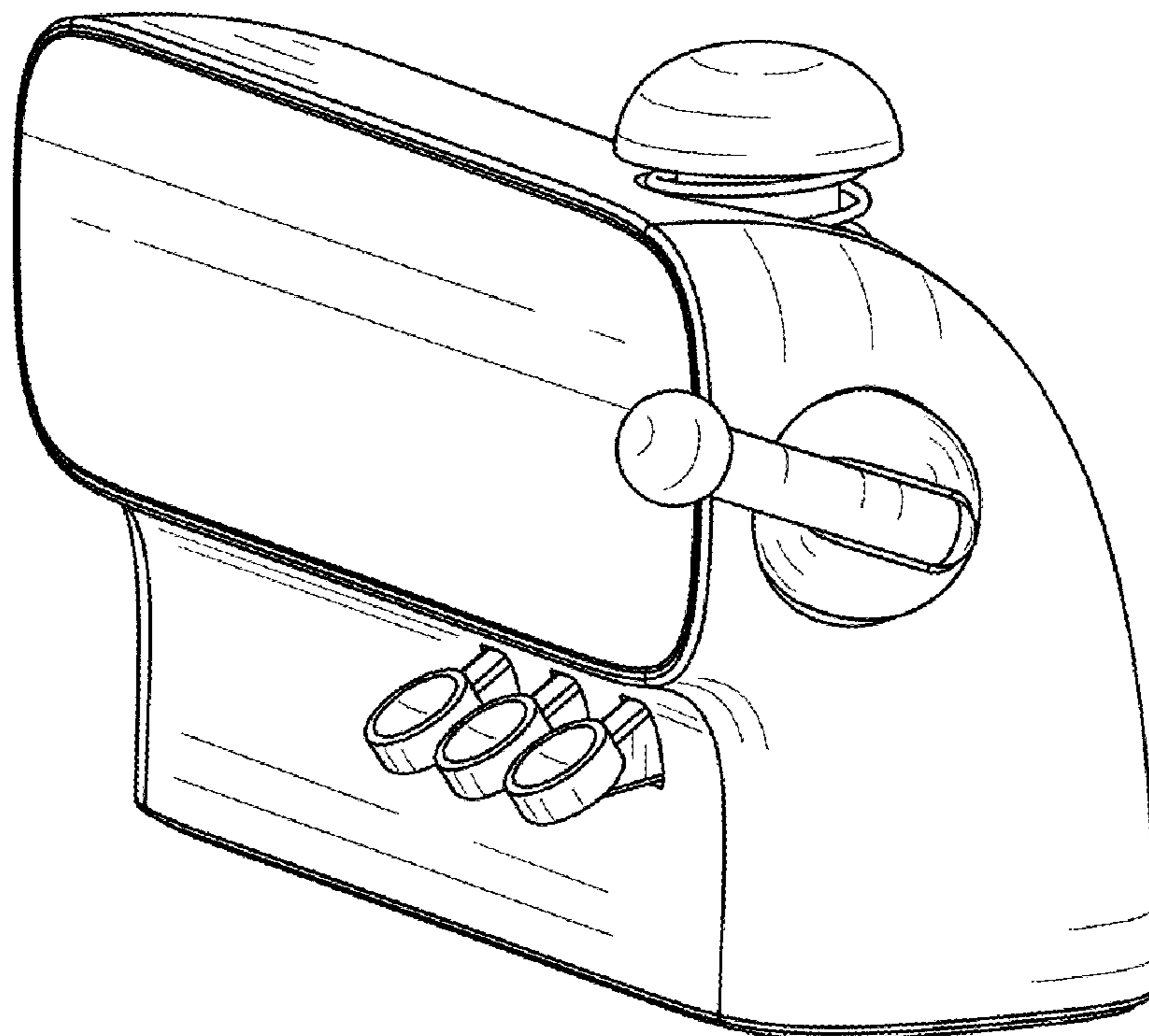
FIG. 6 is a right-side elevational view thereof;

FIG. 7 is a top plan view thereof; and,

FIG. 8 is a bottom plan view thereof.

The broken lines shown in the drawings are for the purpose of illustrating portions of the digital clock that form no part of the claimed design.

1 Claim, 8 Drawing Sheets



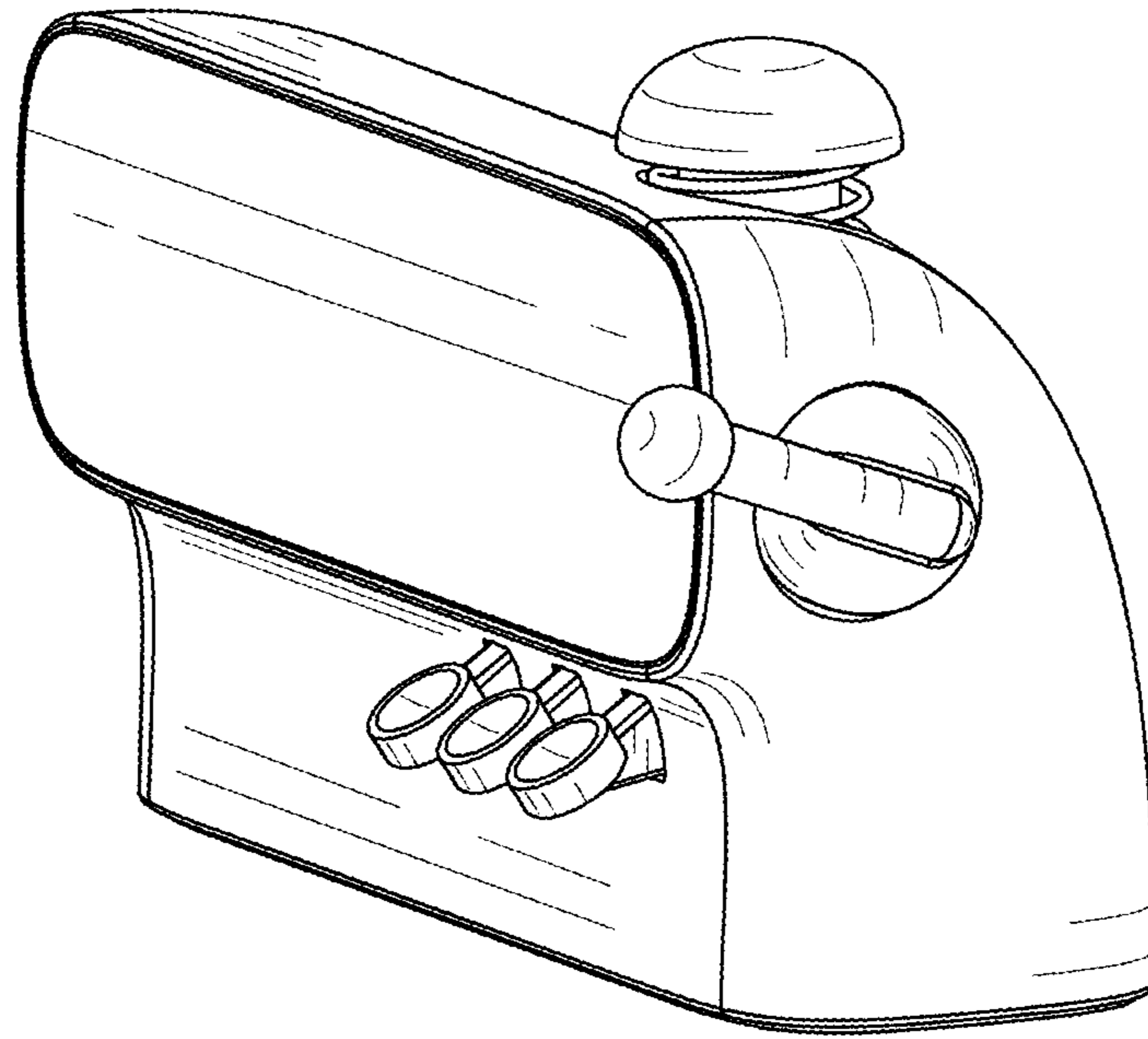


FIG. 1

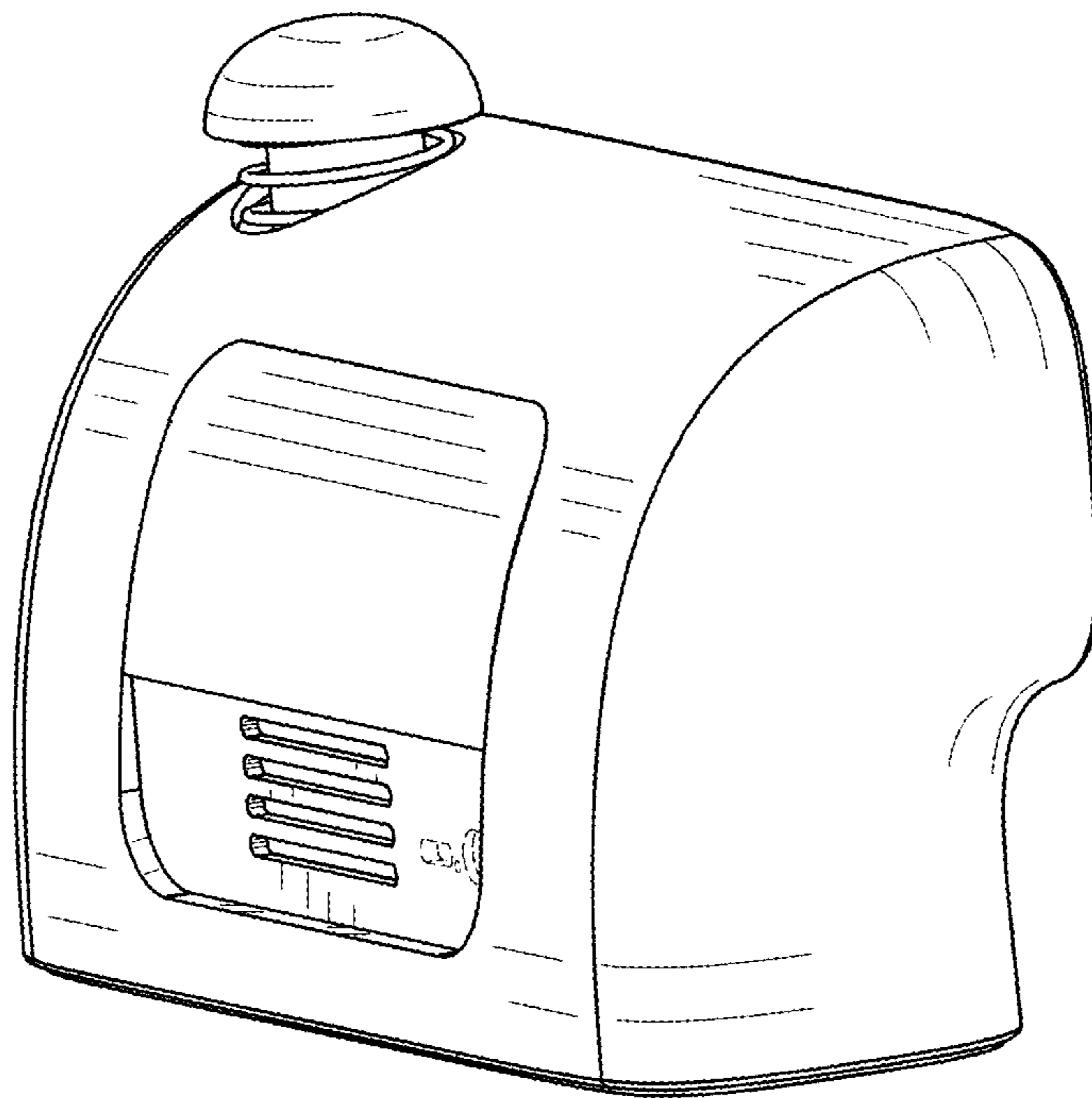


FIG. 2

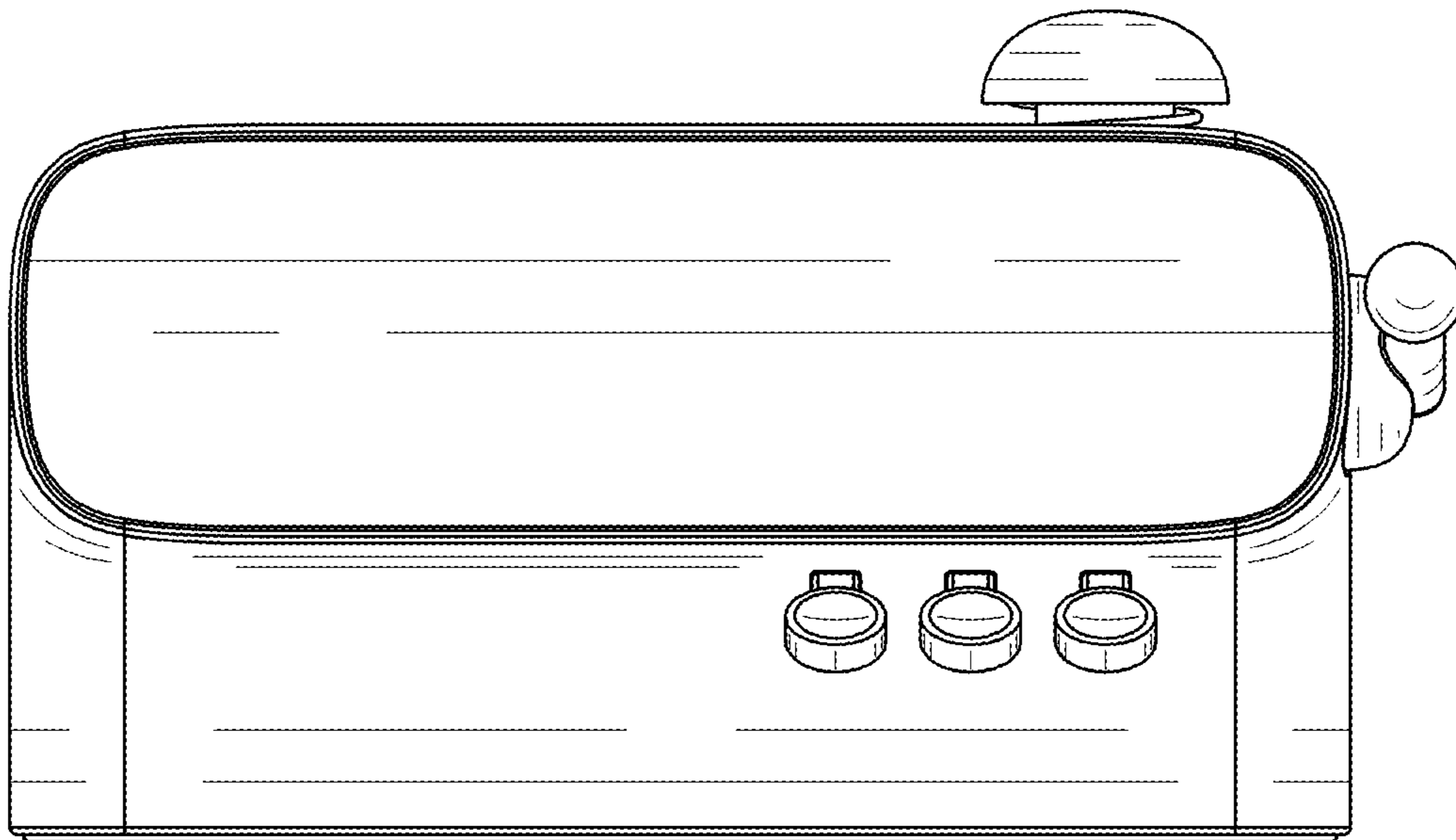


FIG. 3

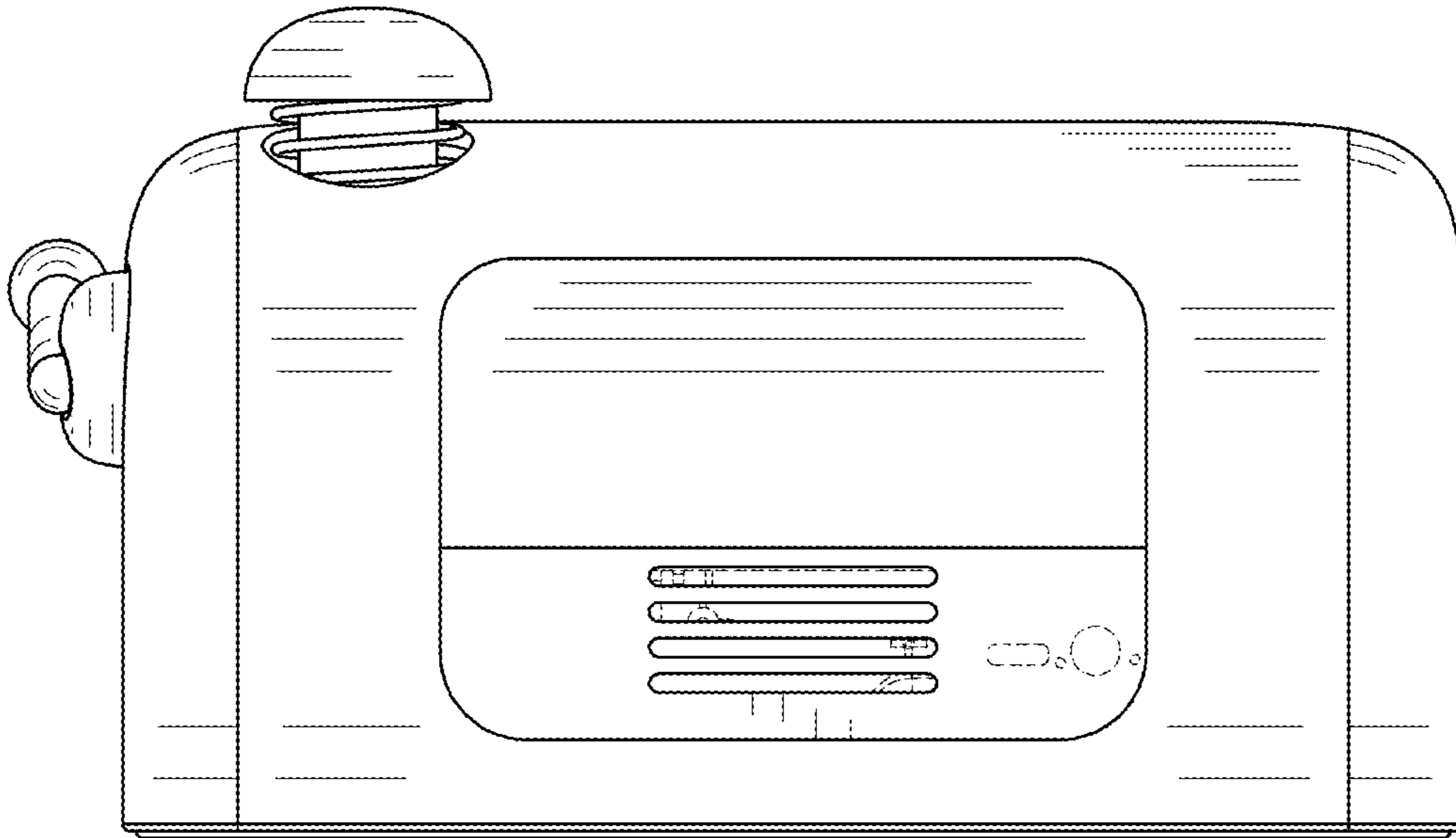


FIG. 4

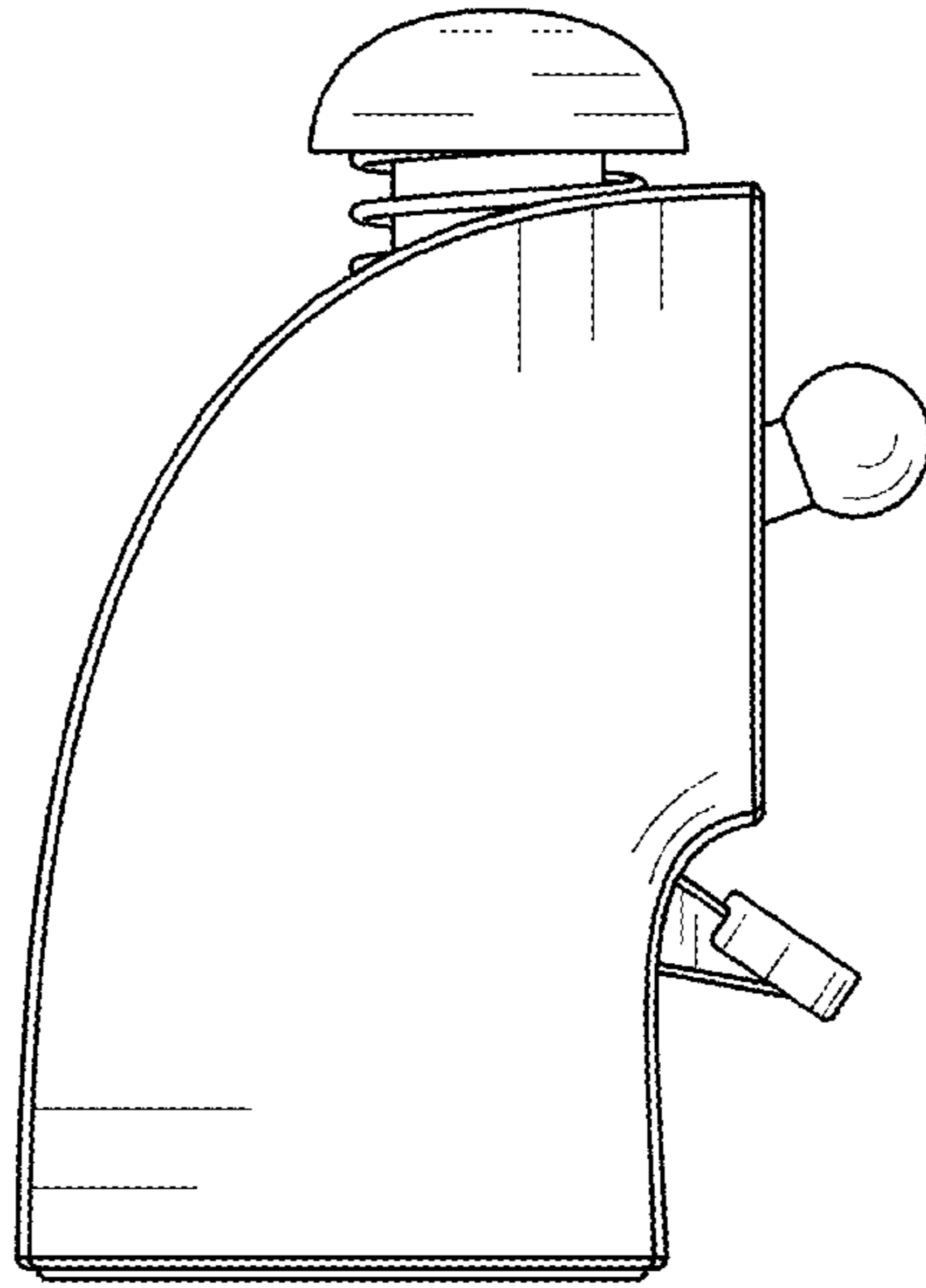


FIG. 5

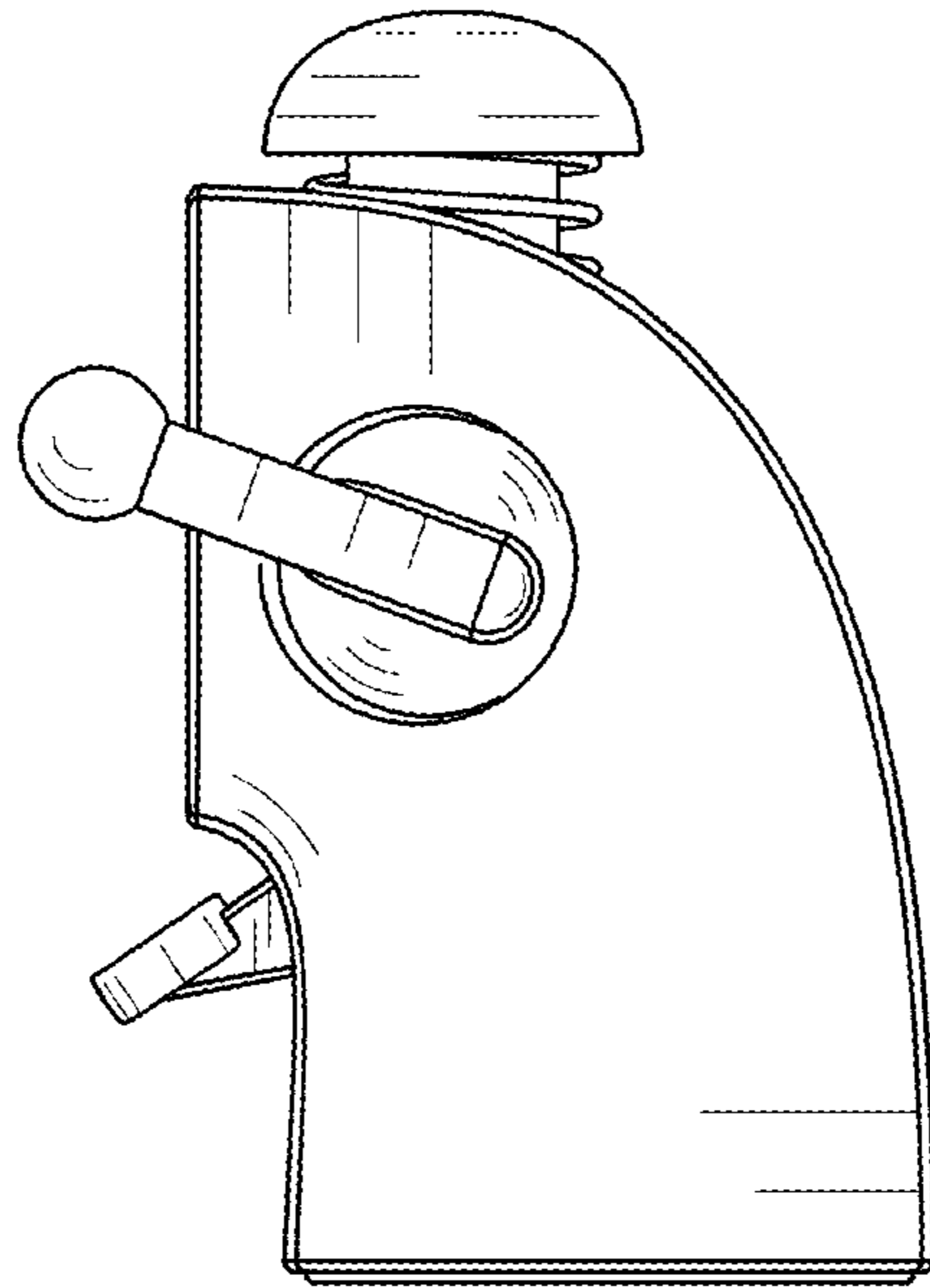


FIG. 6

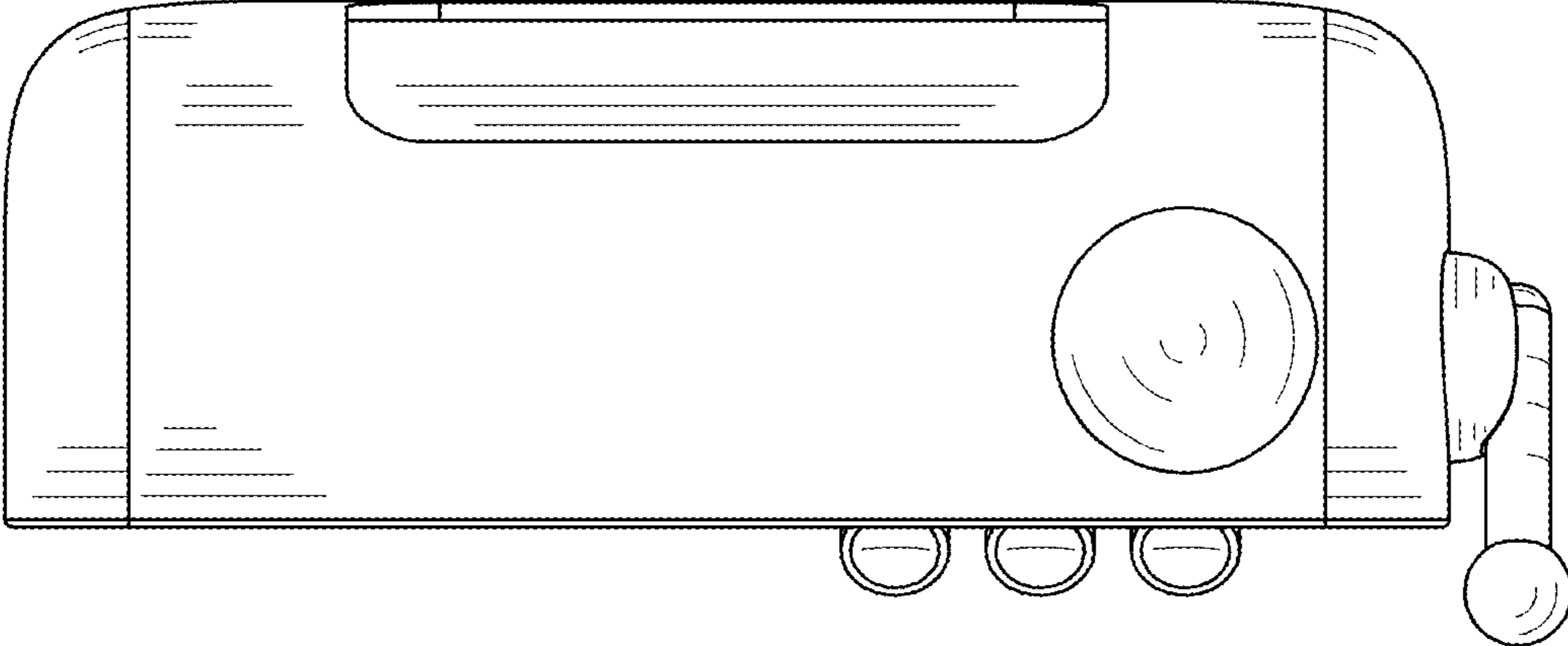


FIG. 7

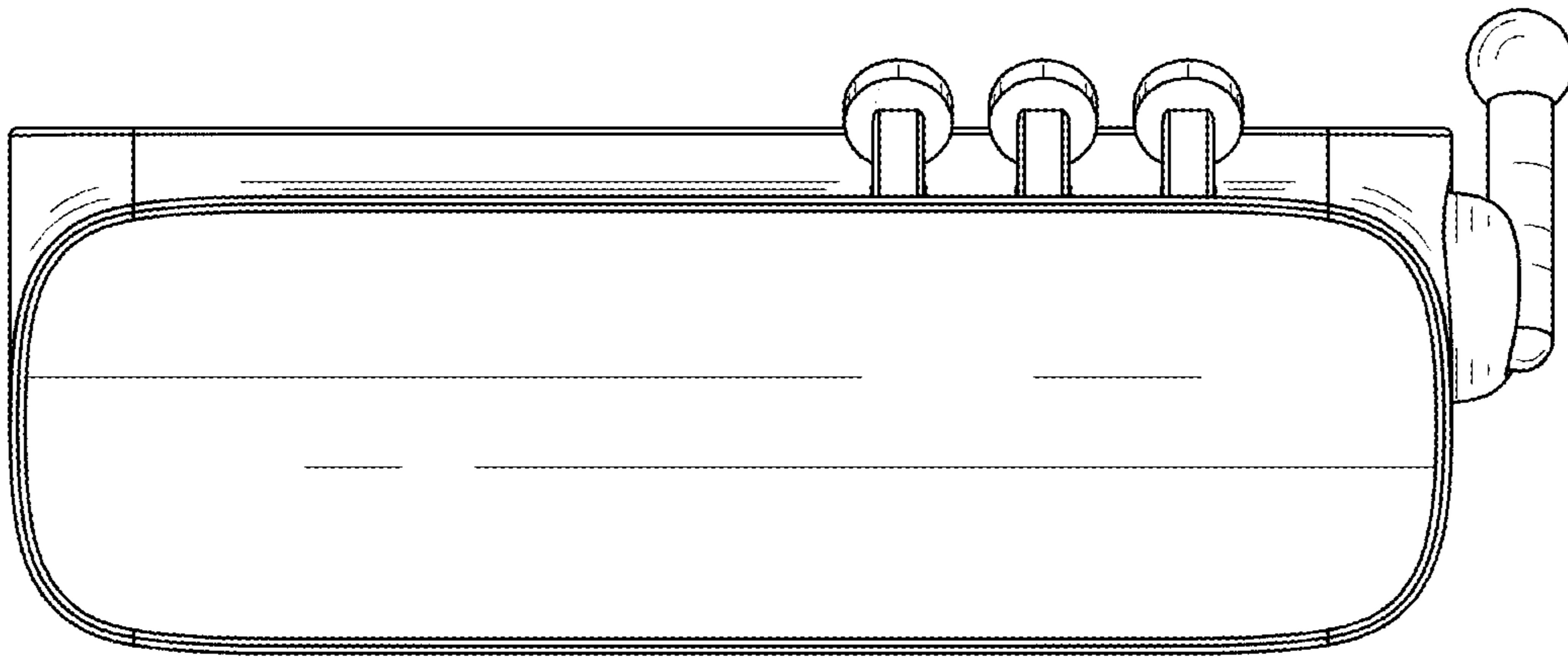


FIG. 8