



US00D959287S

(12) **United States Design Patent** (10) **Patent No.:** **US D959,287 S**
Dominion et al. (45) **Date of Patent:** **** Aug. 2, 2022**

(54) **CONTAINER FOR SHRIMP**
(71) Applicant: **D6 Inc.**, Portland, OR (US)
(72) Inventors: **Edward C. Dominion**, Portland, OR (US); **Martin L. Troudt**, Portland, OR (US); **Robin P. Choate**, Portland, OR (US)

(73) Assignee: **D6 Inc.**, Portland, OR (US)

(**) Term: **15 Years**

(21) Appl. No.: **29/735,214**

(22) Filed: **May 19, 2020**

(51) **LOC (13) Cl.** **09-03**

(52) **U.S. Cl.**
USPC **D9/761**

(58) **Field of Classification Search**
USPC D9/737, 756, 761, 414, 423-425, D9/430-432, 456, 499; D7/553.1-553.8, D7/554.1, 554.3, 554.4, 555, 557, 601, D7/603; D3/304, 313
CPC ... B65D 1/36; B65D 1/24; B65D 1/34; B65D 21/022; B65D 2543/00101; B65D 2543/00194; B65D 2543/00648
See application file for complete search history.

(56) **References Cited**

U.S. PATENT DOCUMENTS

4,807,776 A * 2/1989 Cortopassi B65D 1/24 220/23.83
4,991,717 A * 2/1991 May B65D 43/0206 206/455
D443,509 S * 6/2001 Nantel D9/423
D458,538 S * 6/2002 Hayes D9/434
D474,687 S * 5/2003 Jones D9/761
D504,326 S * 4/2005 Vovan D9/425
D530,160 S * 10/2006 Maltese D7/629
D553,012 S * 10/2007 Changpan D9/425

D742,736 S * 11/2015 Snedden D9/418
D744,327 S * 12/2015 Snedden D9/418
D798,165 S * 9/2017 Snedden D9/737
D801,804 S * 11/2017 McCune D9/424
D829,566 S * 10/2018 Safdie D9/737
D830,824 S * 10/2018 Safdie D9/432
D855,478 S * 8/2019 Vorobej D9/756
D935,279 S * 11/2021 Randazzo D7/542
2003/0226781 A1 * 12/2003 Liao B65D 21/022 206/525
2004/0238391 A1 * 12/2004 Pond A61M 5/002 206/369
2010/0307116 A1 * 12/2010 Fisher B65D 77/20 53/492

(Continued)

FOREIGN PATENT DOCUMENTS

CN 306636162 * 6/2021
CN 306736629 * 8/2021

(Continued)

Primary Examiner — W. A. Teddy Falloway
(74) *Attorney, Agent, or Firm* — Stoel Rives LLP

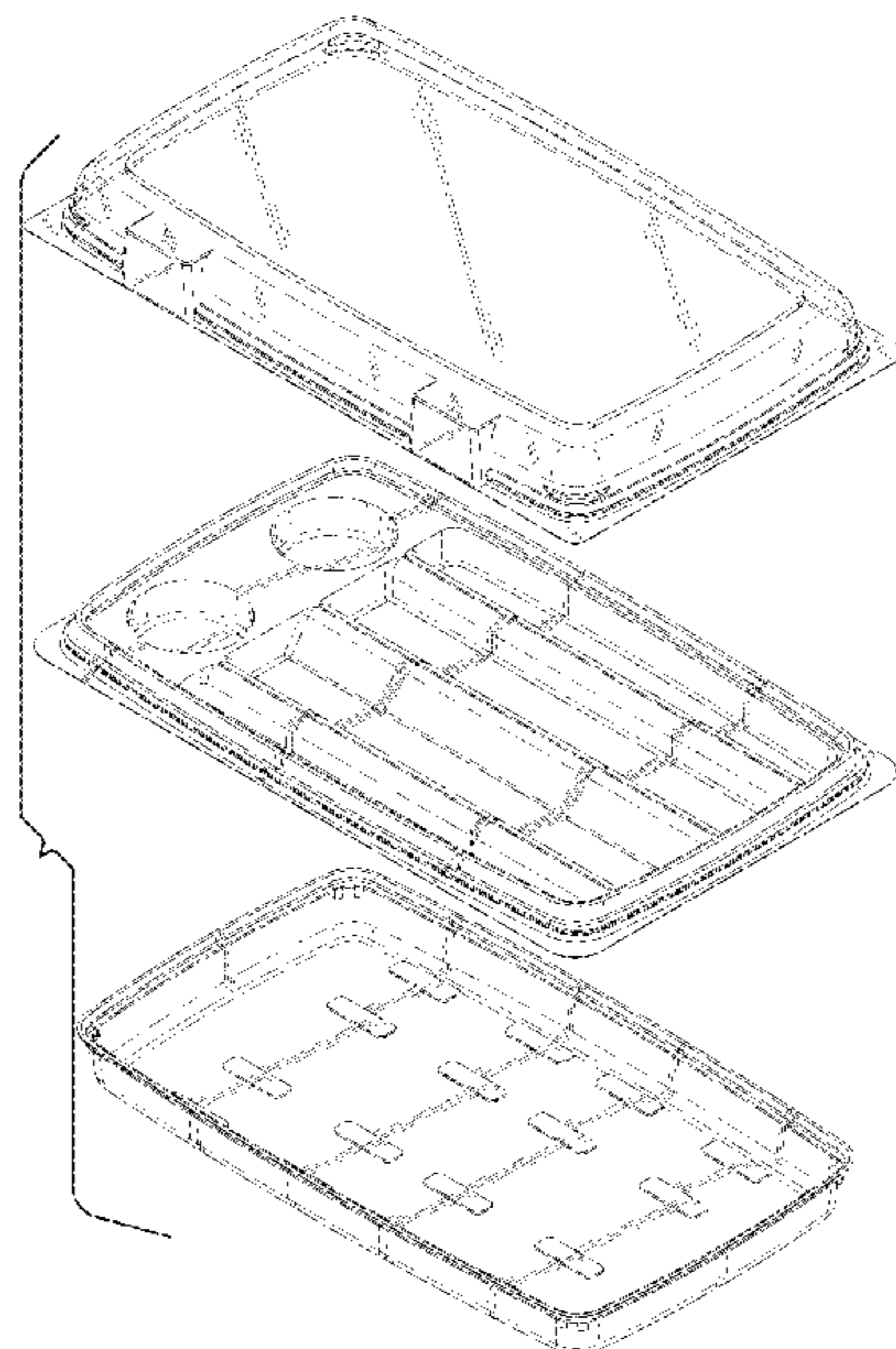
(57) **CLAIM**

The ornamental design for a container for shrimp, as shown and described.

DESCRIPTION

FIG. 1 is an exploded top isometric view of a container for shrimp.
FIG. 2 is an exploded bottom isometric view thereof.
FIG. 3 is a front, top, and right assembled isometric view thereof.
FIG. 4 is a top view thereof.
FIG. 5 is a bottom view thereof.
FIG. 6 is a front view thereof.
FIG. 7 is a rear view thereof.
FIG. 8 is a left side view thereof; and,
FIG. 9 is a right side view thereof.

1 Claim, 7 Drawing Sheets



(56)

References Cited

U.S. PATENT DOCUMENTS

2021/0078754 A1* 3/2021 Rosi B65D 1/34

FOREIGN PATENT DOCUMENTS

CN	306751441	*	8/2021
IN	335219-001-0001	*	11/2020
IN	335220-001-0001	*	11/2020
IN	335221-001-0001	*	11/2020

* cited by examiner

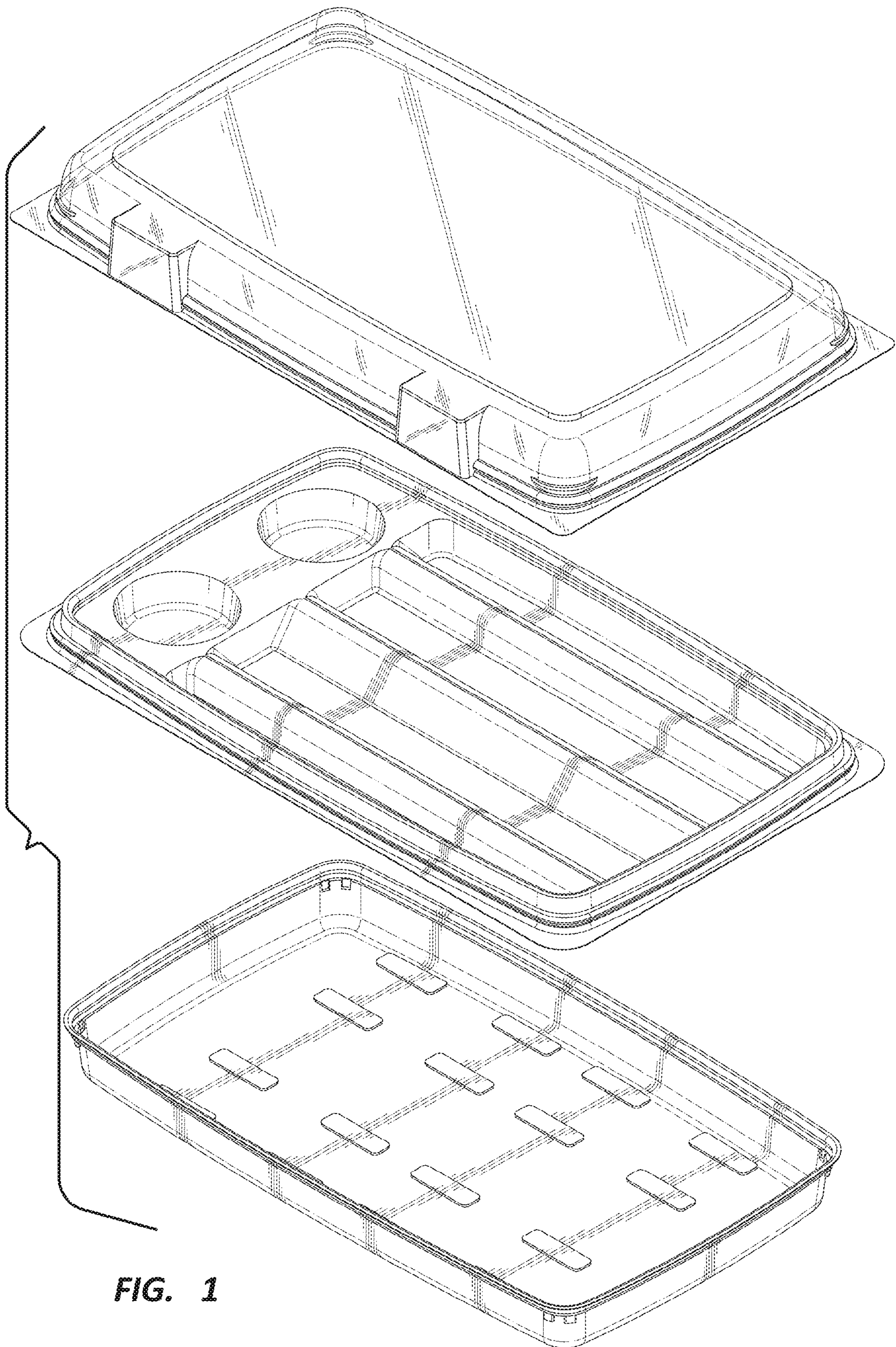


FIG. 1

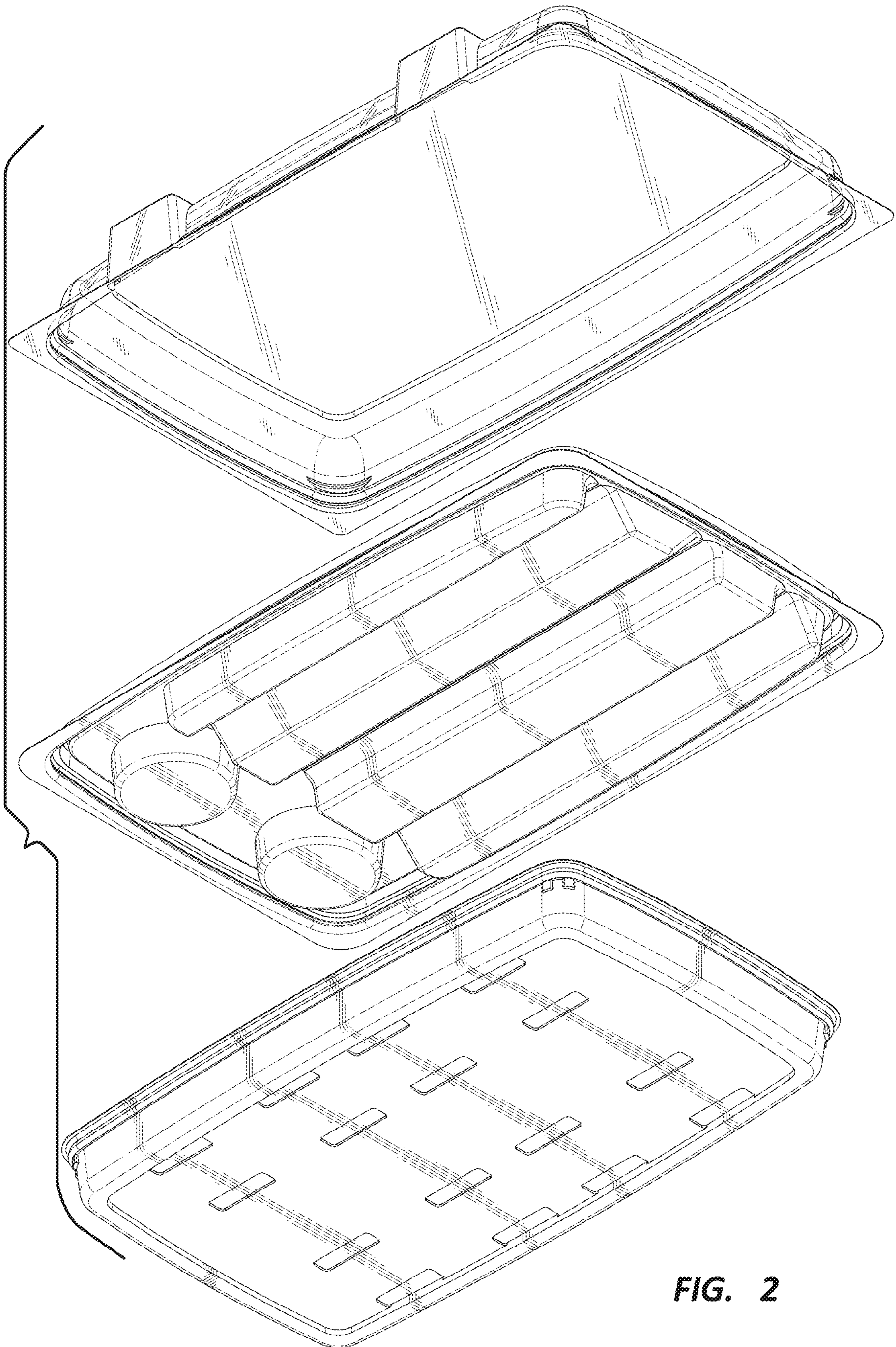


FIG. 2

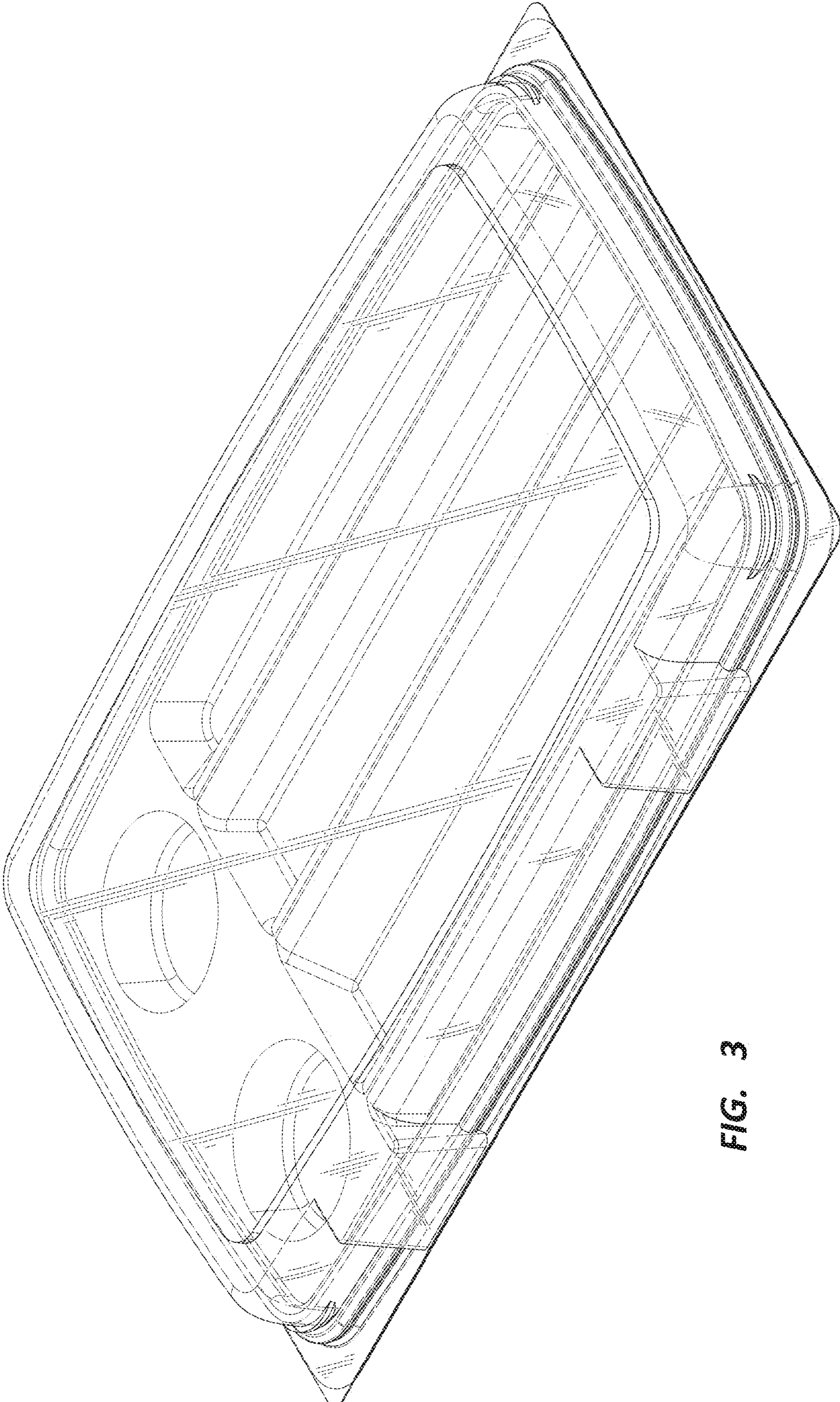


FIG. 3

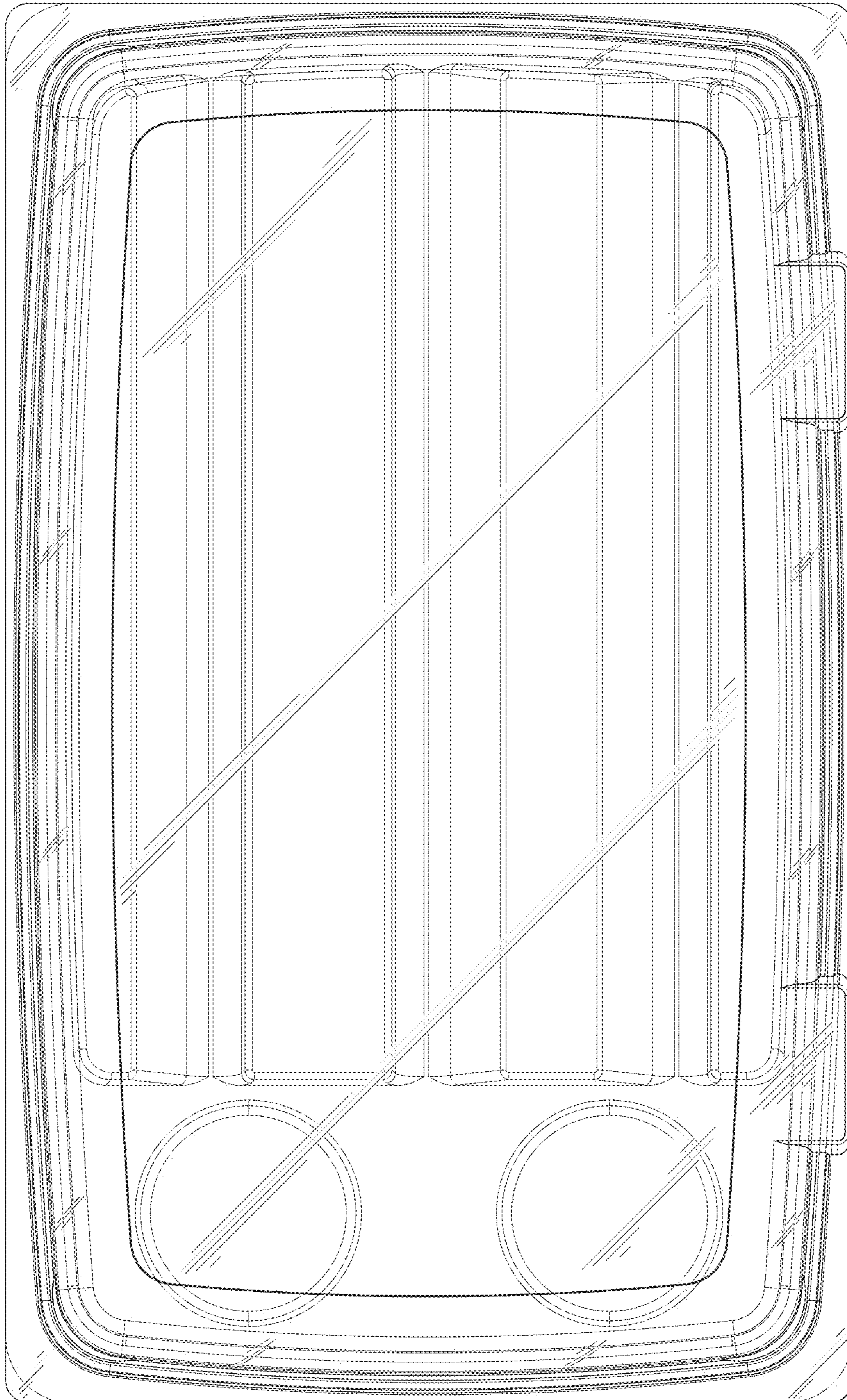


FIG. 4

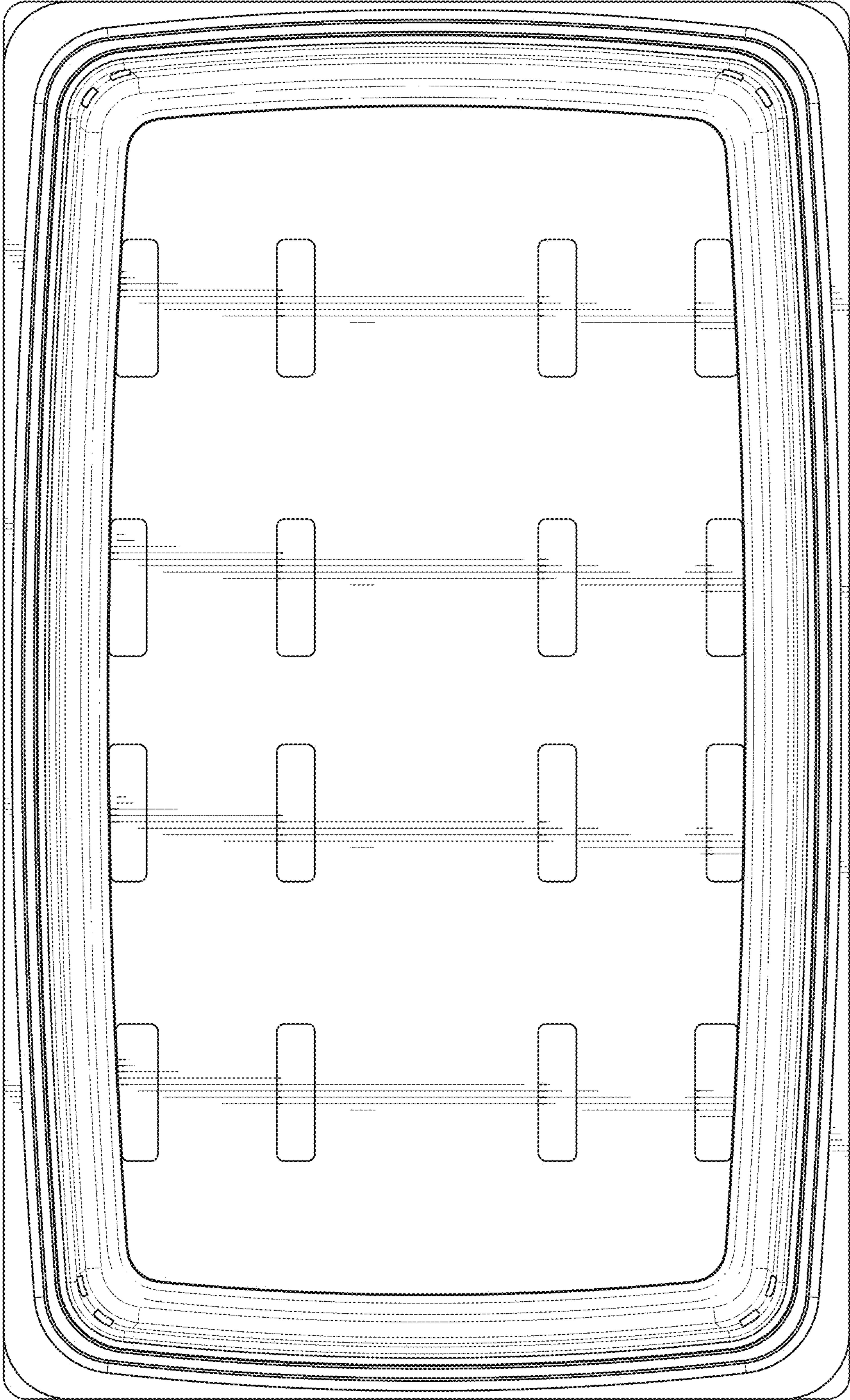


FIG. 5

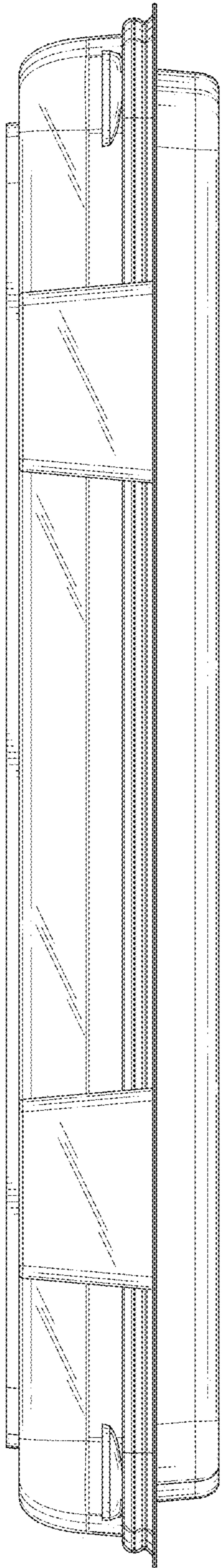


FIG. 6

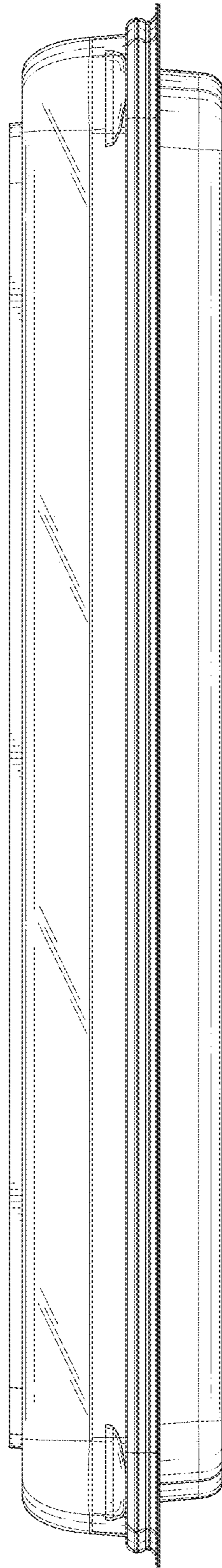


FIG. 7

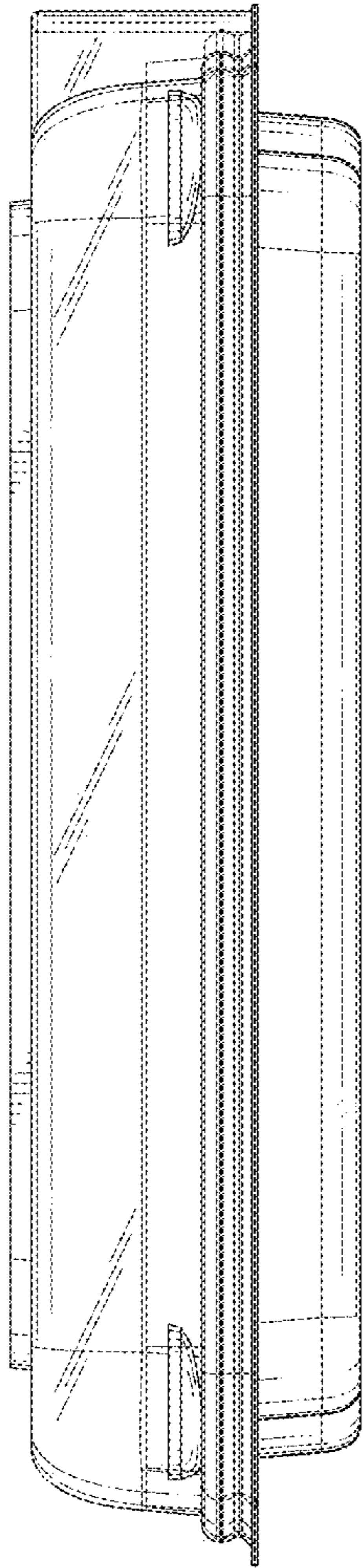


FIG. 8

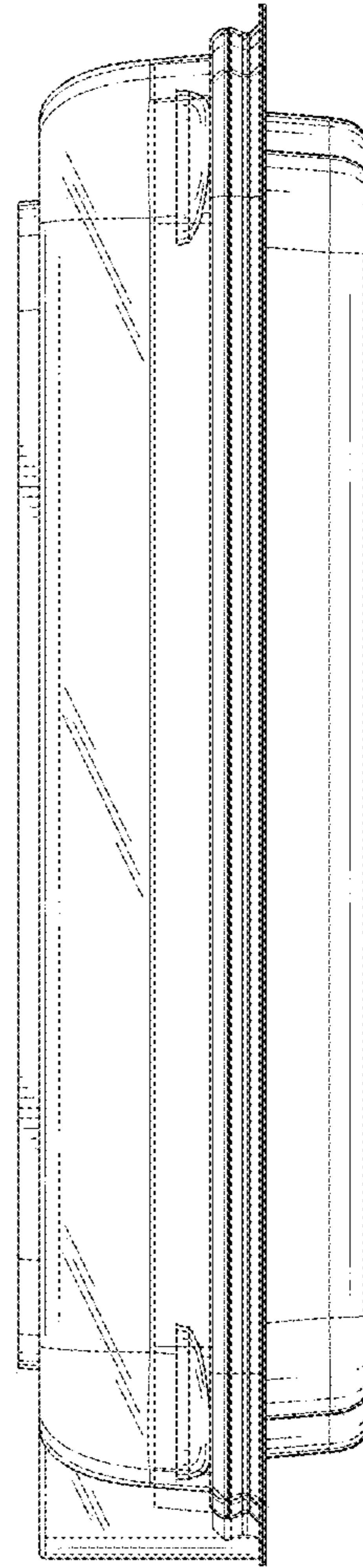


FIG. 9