



US00D959286S

(12) **United States Design Patent**
Dominion et al.

(10) **Patent No.:** **US D959,286 S**
(45) **Date of Patent:** **** Aug. 2, 2022**

- (54) **CONTAINER FOR SHRIMP**
- (71) Applicant: **D6 Inc.**, Portland, OR (US)
- (72) Inventors: **Edward C. Dominion**, Portland, OR (US); **Martin L. Troudt**, Portland, OR (US); **Robin P. Choate**, Portland, OR (US)
- (73) Assignee: **D6 Inc.**, Portland, OR (US)
- (**) Term: **15 Years**
- (21) Appl. No.: **29/735,207**
- (22) Filed: **May 19, 2020**
- (51) **LOC (13) Cl.** **09-03**
- (52) **U.S. Cl.**
USPC **D9/761**
- (58) **Field of Classification Search**
USPC D9/737, 756, 761, 414, 423-425, D9/430-432, 456, 499; D7/553.1-553.8, D7/554.1, 554.3, 554.4, 555, 557, 601, D7/603; D3/304, 313
CPC ... B65D 1/36; B65D 1/24; B65D 1/34; B65D 21/022; B65D 2543/00101; B65D 2543/00194; B65D 2543/00648
See application file for complete search history.

- D553,012 S * 10/2007 Changpan D9/425
 - D742,736 S * 11/2015 Snedden D9/418
 - D744,327 S * 12/2015 Snedden D9/418
 - D798,165 S * 9/2017 Snedden D9/737
 - D801,804 S * 11/2017 McCune D9/424
- (Continued)

FOREIGN PATENT DOCUMENTS

- CN 306636162 * 6/2021
 - CN 306736629 * 8/2021
- (Continued)

Primary Examiner — W. A. Teddy Falloway
(74) *Attorney, Agent, or Firm* — Stoel Rives LLP

(57) **CLAIM**

The ornamental design for a container for shrimp, as shown and described.

DESCRIPTION

FIG. 1 is an exploded top isometric view of a container for shrimp.

FIG. 2 is an exploded bottom isometric view thereof.

FIG. 3 is a front, top, and right assembled isometric view thereof.

FIG. 4 is a top view thereof.

FIG. 5 is a bottom view thereof.

FIG. 6 is a front view thereof, the rear view being identical.

FIG. 7 is a right side view thereof, the left side view being identical.

FIG. 8 is a top isometric view of an insert of the container for shrimp, shown separately for completeness of illustration.

FIG. 9 is a bottom isometric view thereof.

FIG. 10 is a top view thereof.

FIG. 11 is a bottom view thereof.

FIG. 12 is a rear view, the front view being a mirror image thereof.

FIG. 13 is a right side view, thereof; and,

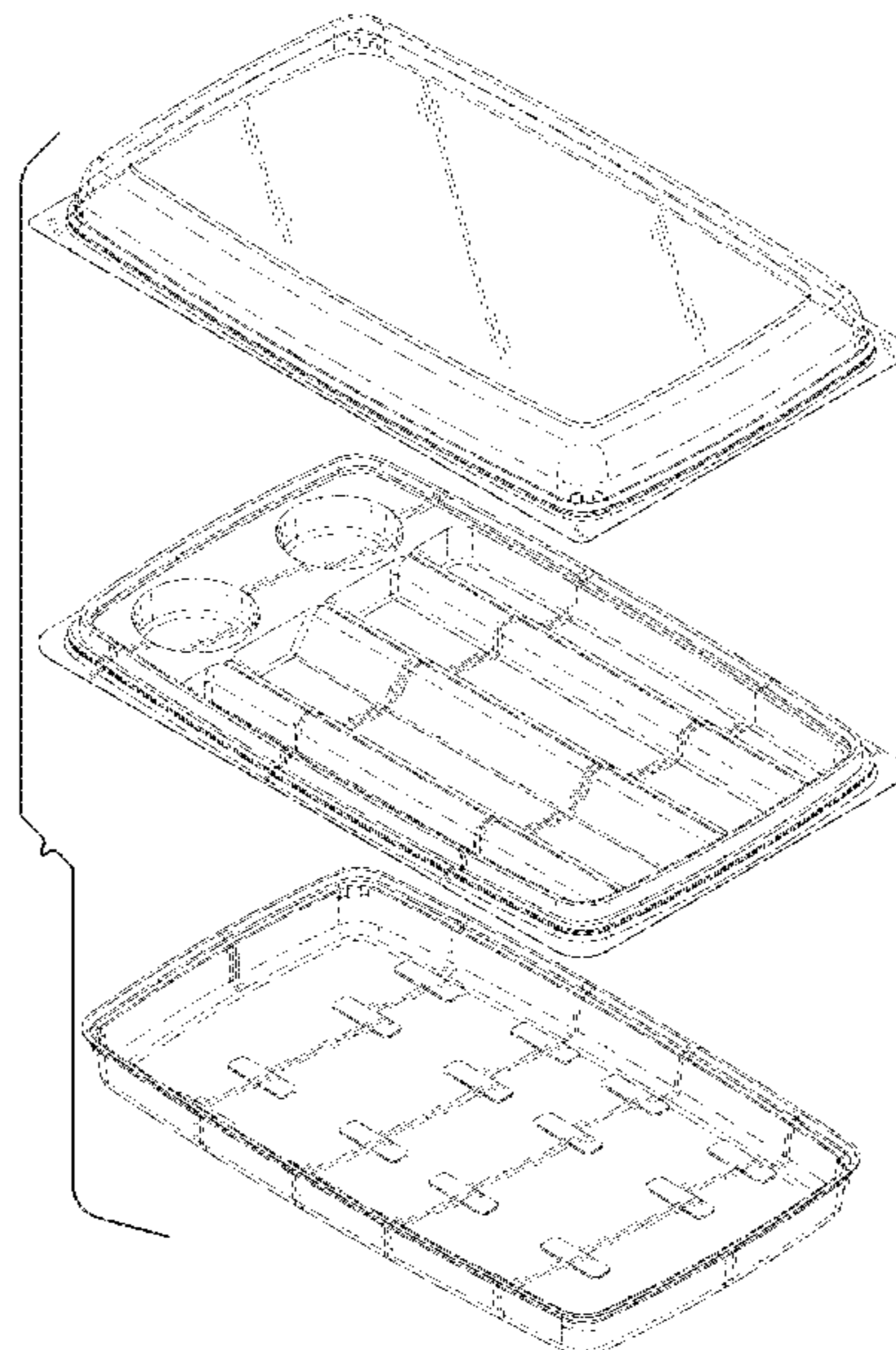
FIG. 14 is a left side view thereof.

(56) **References Cited**

U.S. PATENT DOCUMENTS

- 4,807,776 A * 2/1989 Cortopassi B65D 1/24
220/23.83
- 4,991,717 A * 2/1991 May B65D 43/0206
206/455
- D443,509 S * 6/2001 Nantel D9/423
- D458,538 S * 6/2002 Hayes D9/434
- D474,687 S * 5/2003 Jones D9/761
- D504,326 S * 4/2005 Vovan D9/425
- D530,160 S * 10/2006 Maltese D7/629

1 Claim, 11 Drawing Sheets



(56)

References Cited

U.S. PATENT DOCUMENTS

D829,566 S * 10/2018 Safdie D9/737
D830,824 S * 10/2018 Safdie D9/432
D855,478 S * 8/2019 Vorobej D9/756
D935,279 S * 11/2021 Randazzo D7/542
2003/0226781 A1* 12/2003 Liao B65D 21/022
206/525
2004/0238391 A1* 12/2004 Pond A61M 5/002
206/369
2010/0307116 A1* 12/2010 Fisher B65D 77/20
53/492
2021/0078754 A1* 3/2021 Rosi B65D 1/34

FOREIGN PATENT DOCUMENTS

CN 306751441 * 8/2021
IN 335219-001-0001 * 11/2020
IN 335220-001-0001 * 11/2020
IN 335221-001-0001 * 11/2020

* cited by examiner

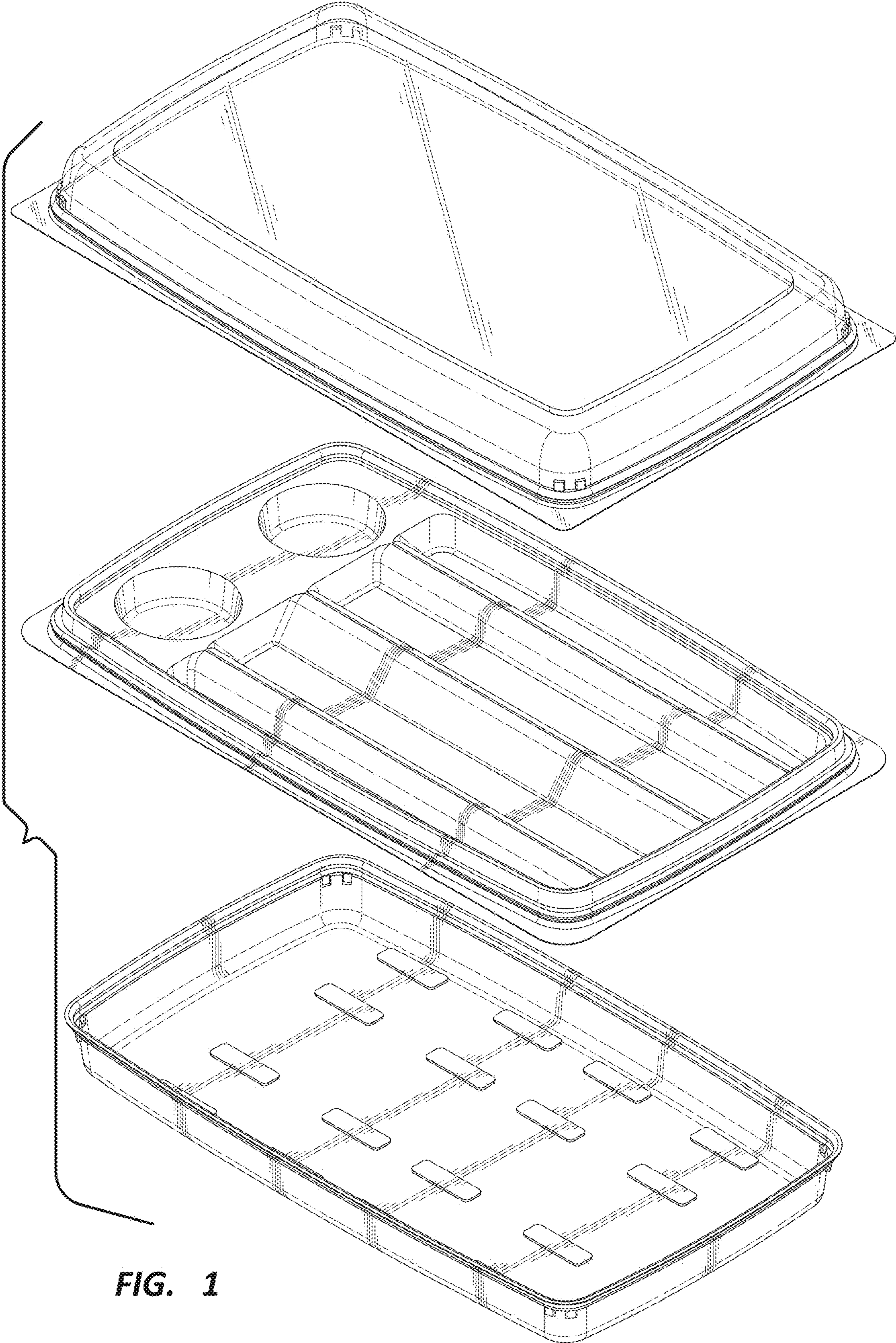


FIG. 1

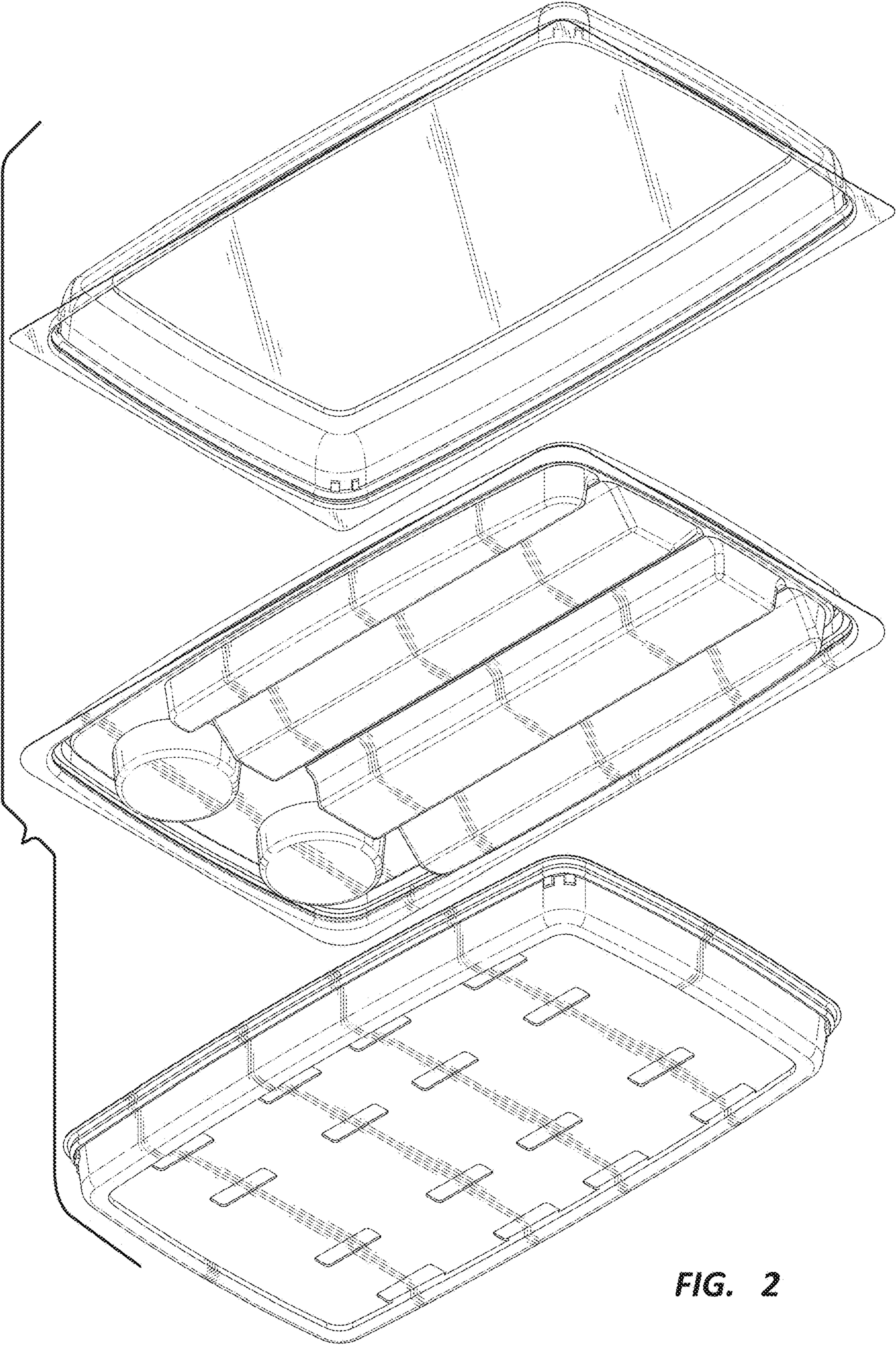


FIG. 2

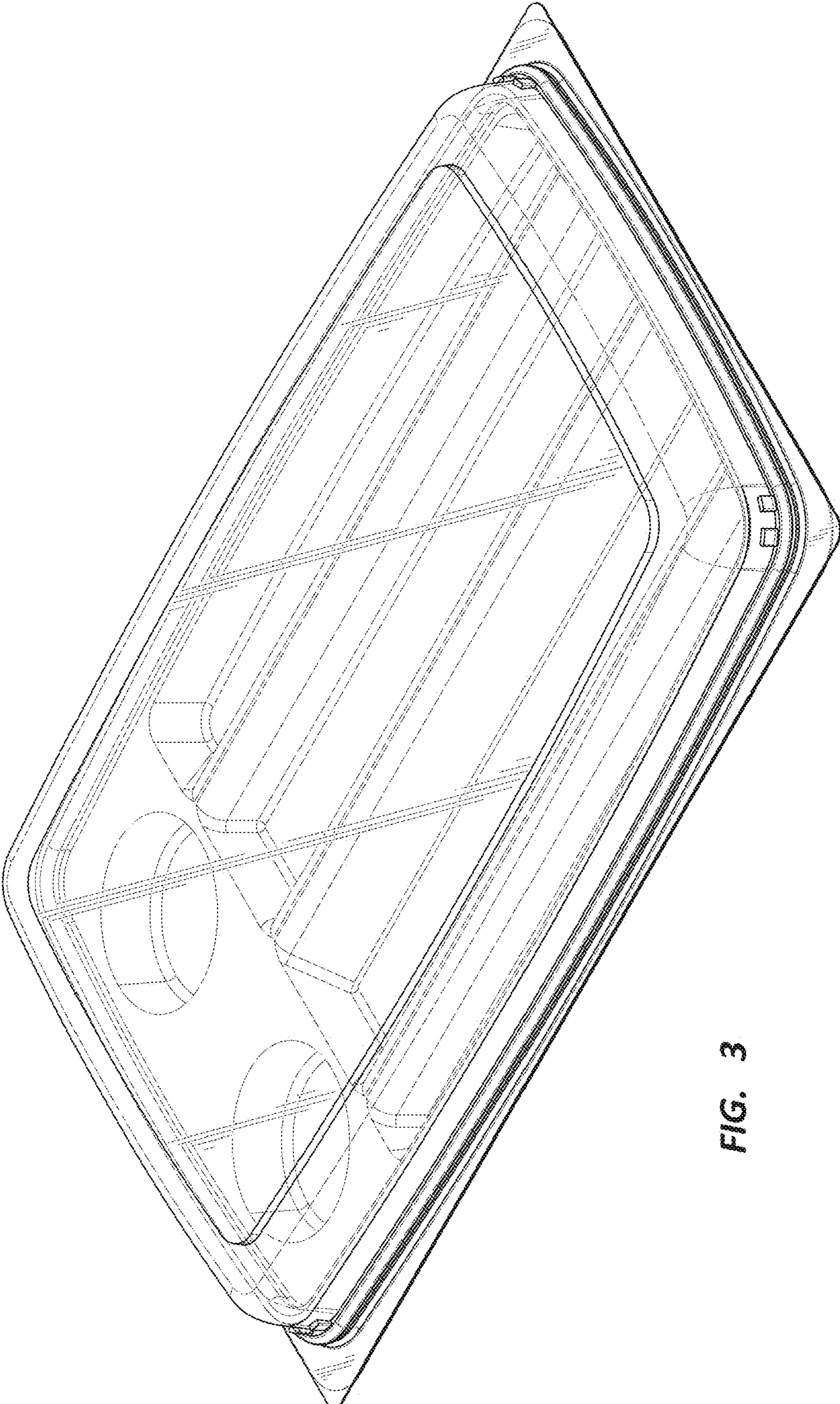


FIG. 3

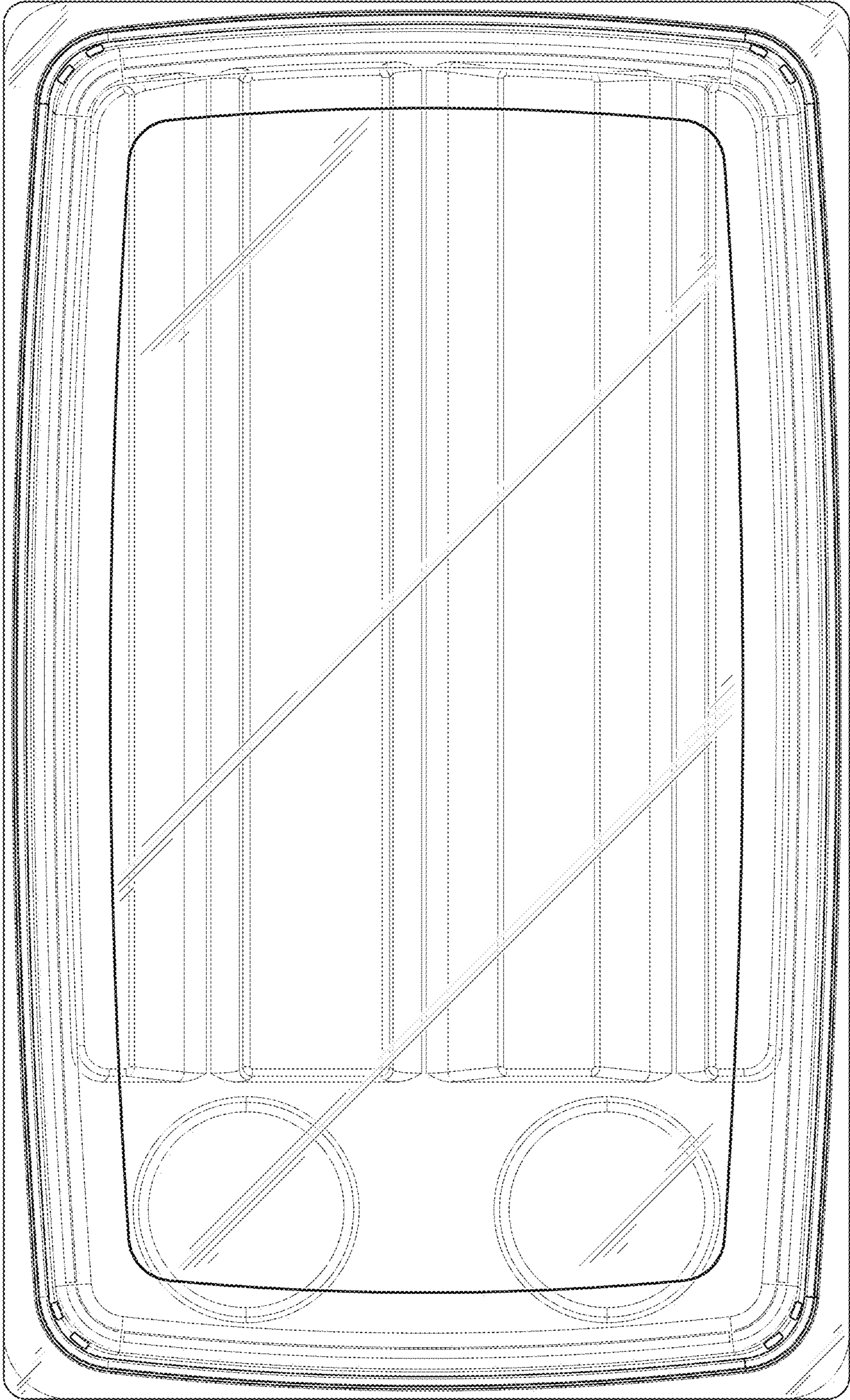


FIG. 4

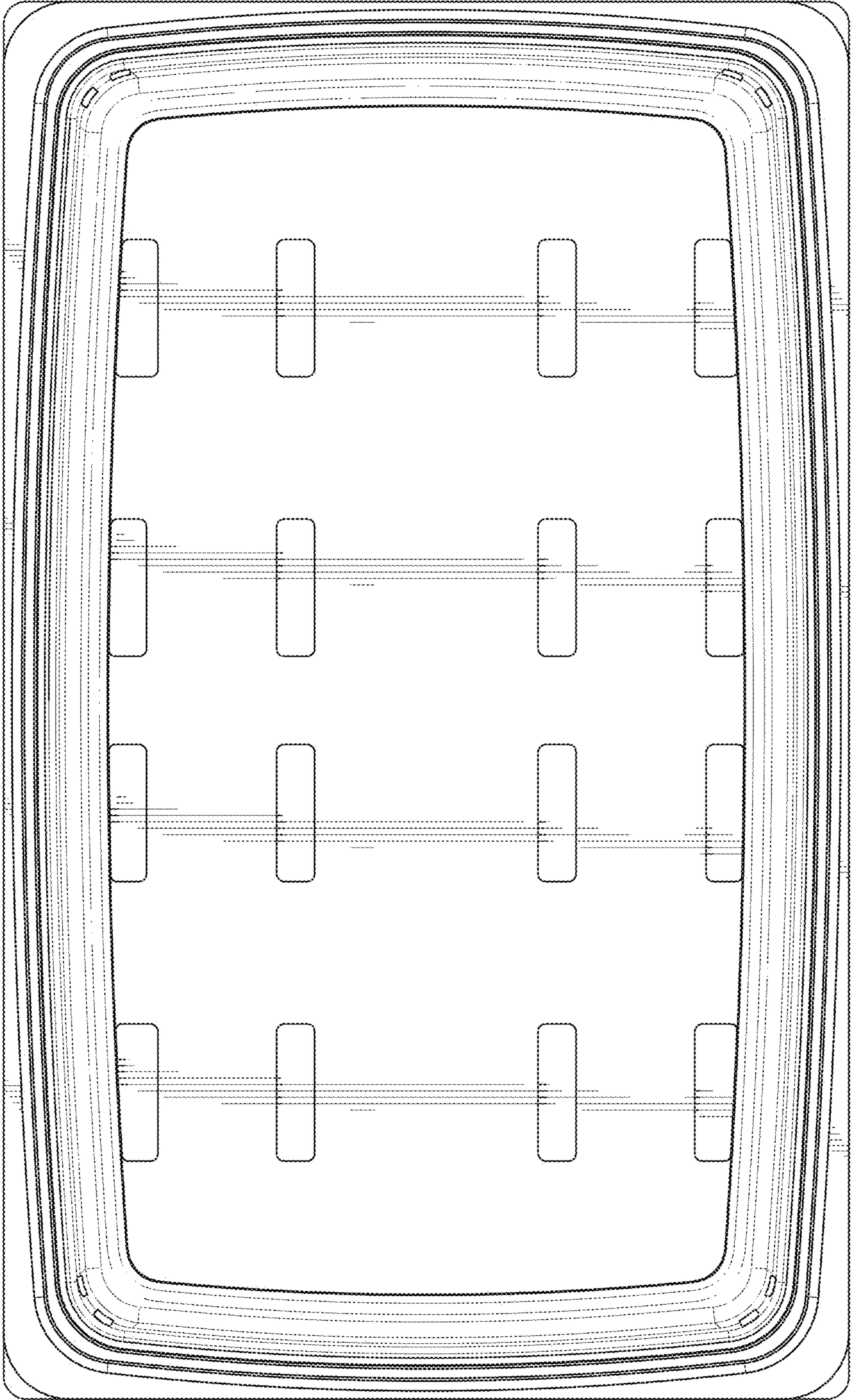


FIG. 5

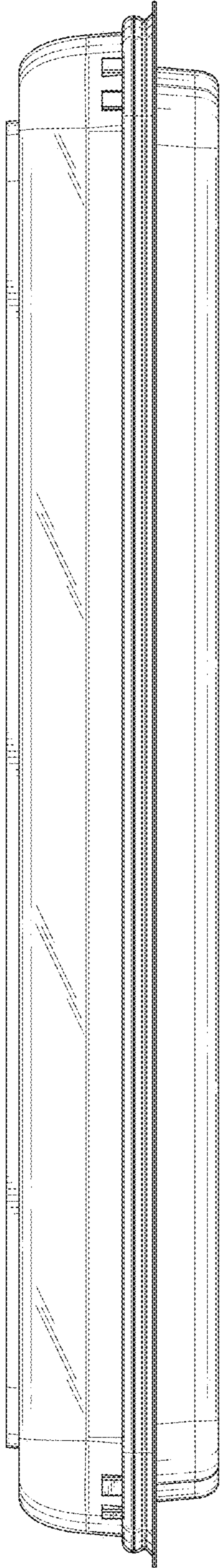


FIG. 6

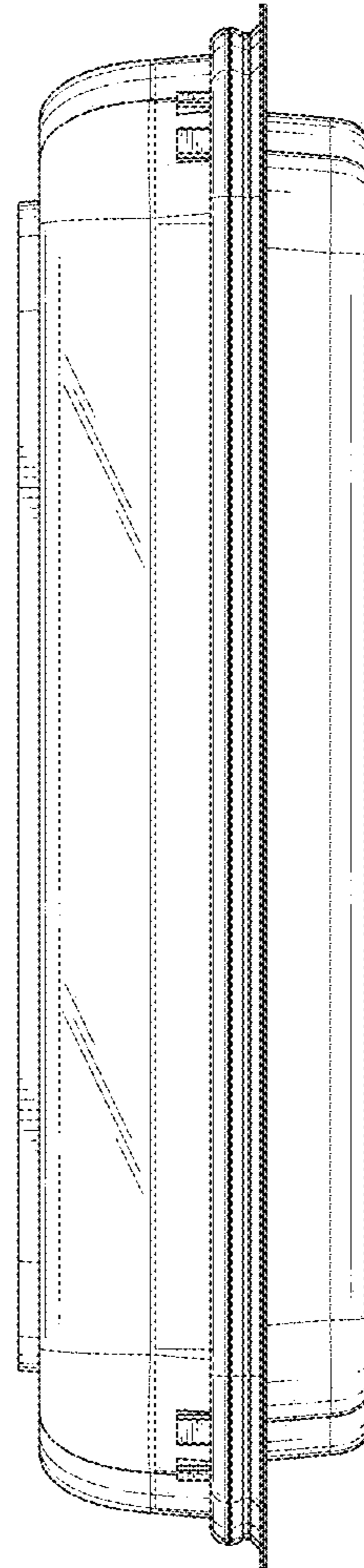


FIG. 7

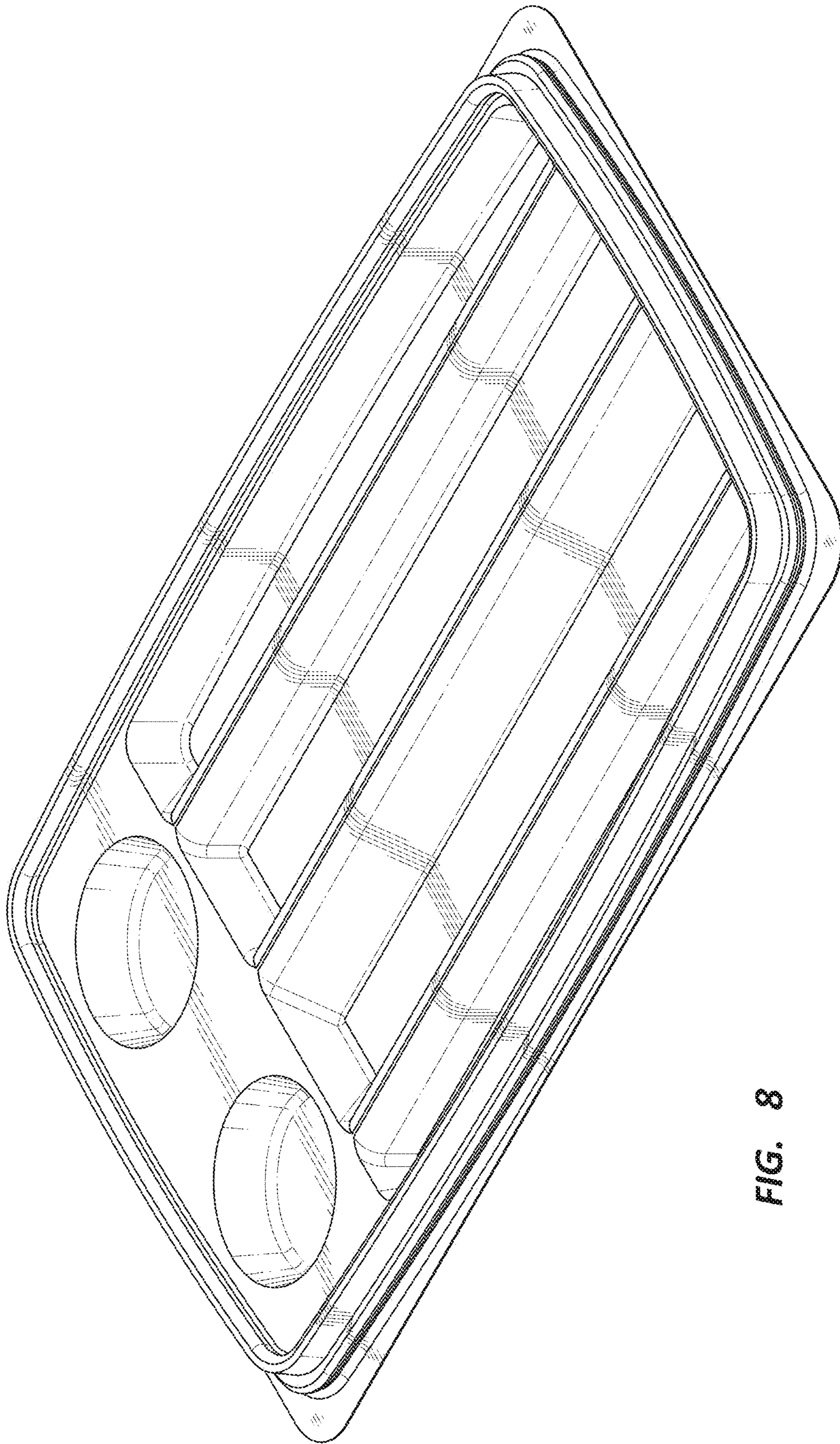


FIG. 8

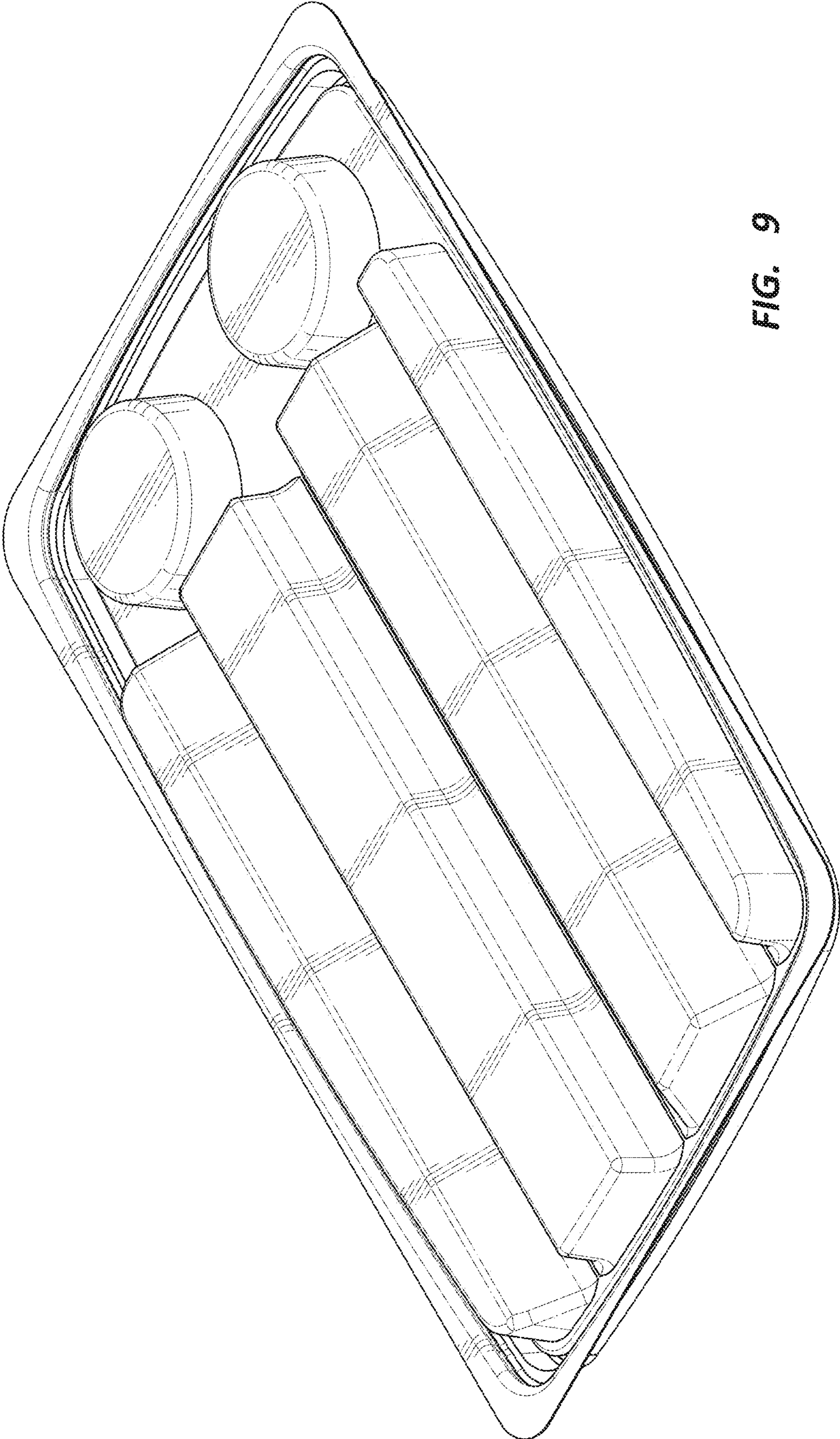


FIG. 9

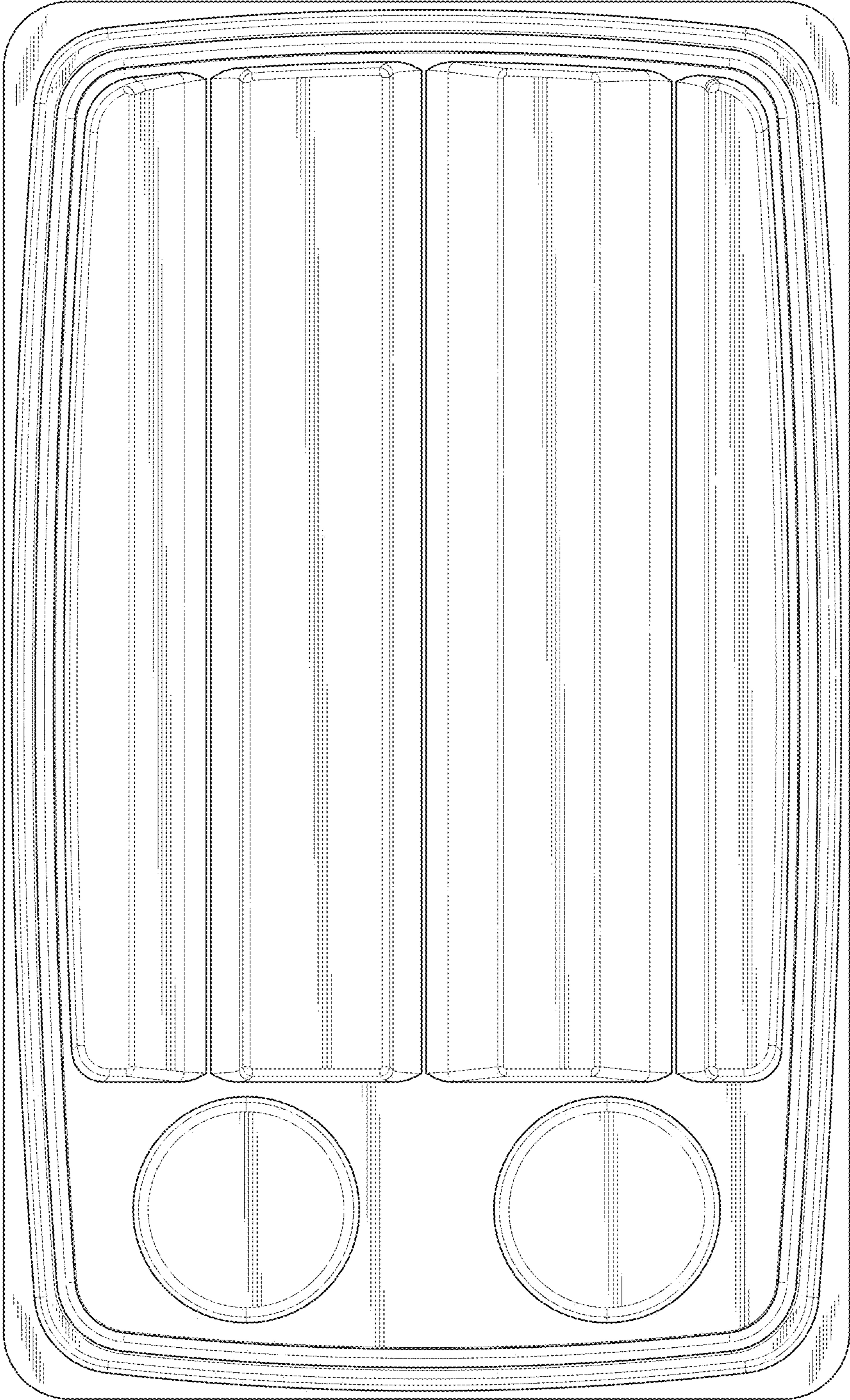


FIG. 10

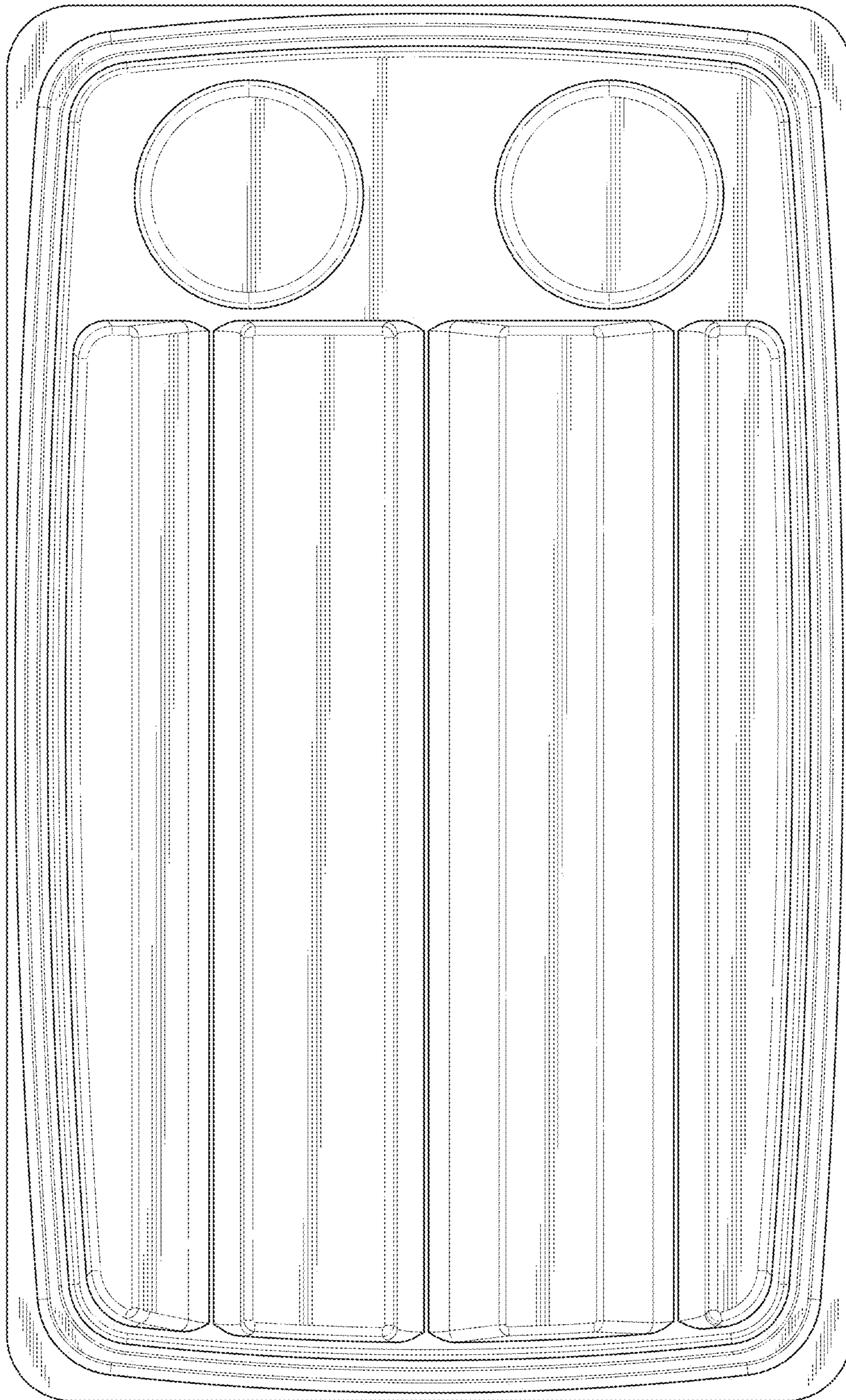


FIG. 11

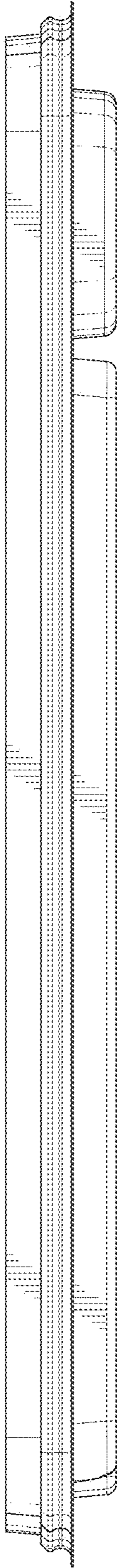


FIG. 12

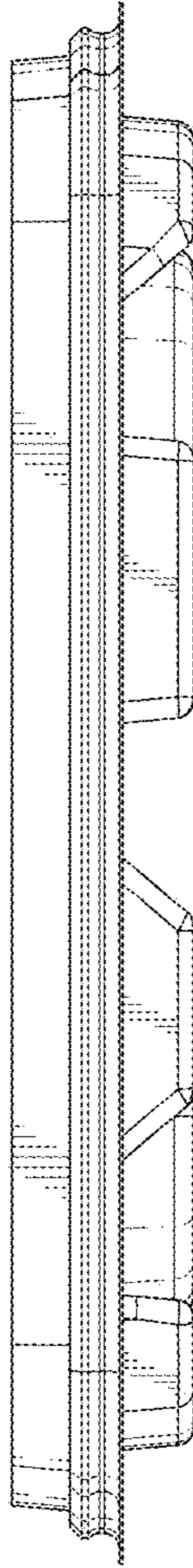


FIG. 13

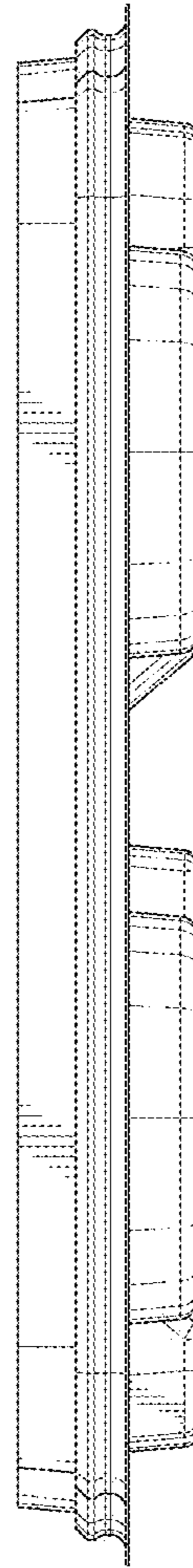


FIG. 14