



US00D959283S

(12) **United States Design Patent** (10) **Patent No.:** **US D959,283 S**
Guenther (45) **Date of Patent:** **** Aug. 2, 2022**

(54) **BLISTER PACKAGE**
(71) Applicant: **Henkel AG & Co. KGaA**, Duesseldorf (DE)
(72) Inventor: **Lara Dawn Guenther**, Duesseldorf (DE)
(73) Assignee: **Henkel AG & Co. KGaA**, Duesseldorf (DE)
(**) Term: **15 Years**
(21) Appl. No.: **29/740,655**
(22) Filed: **Jul. 6, 2020**
(30) **Foreign Application Priority Data**
Jan. 6, 2020 (EM) 007479548
(51) **LOC (13) Cl.** **09-01**
(52) **U.S. Cl.**
USPC **D9/732; D9/415**
(58) **Field of Classification Search**
USPC D9/414, 415, 424, 456, 732, 737, 756, D9/759, 761; D24/227, 229, 230
CPC B65D 75/327; B65D 2585/56; B65D 75/367; B65D 75/32; B65D 2575/3227; B65D 83/0445; B65D 2575/367; B65D 2575/3245; B65D 83/04; B65D 75/22; B65D 75/5855; B65D 75/323; B65D 2543/00296; B65D 5/4204; B65D 25/04; B65D 75/52; B65D 75/585; B65D 73/0035; B65D 73/0085; B65D 75/58; B65D 2543/00194; B65D 1/36; B65D 73/0078; B65D 2543/00805; B65D 73/0042; B65D 75/225; B65D 77/30; B65D 2543/00092; B65D 75/522; B65D 1/0223

See application file for complete search history.

(56) **References Cited**
U.S. PATENT DOCUMENTS
4,503,975 A * 3/1985 Meyers B65D 73/0085 248/152
4,549,654 A * 10/1985 Tiesman B65D 73/0085 248/152
D290,090 S * 6/1987 Collingwood B65D 73/0092 D9/415
5,019,125 A * 5/1991 Rebne B65D 83/0463 206/532
D364,343 S * 11/1995 Mello B65D 73/0092 D9/415
D420,578 S * 2/2000 Plumer B65D 5/4266 D9/415
7,475,779 B2 * 1/2009 Kellar B65D 5/4208 206/469
D652,322 S * 1/2012 Stuiber B65D 73/0085 D9/732
D758,179 S * 6/2016 Beck B65D 5/4208 D9/415
D760,599 S * 7/2016 Jayakaran D9/732
D862,247 S * 10/2019 Collier D9/732
D927,987 S * 8/2021 Markoulis D9/732

(Continued)

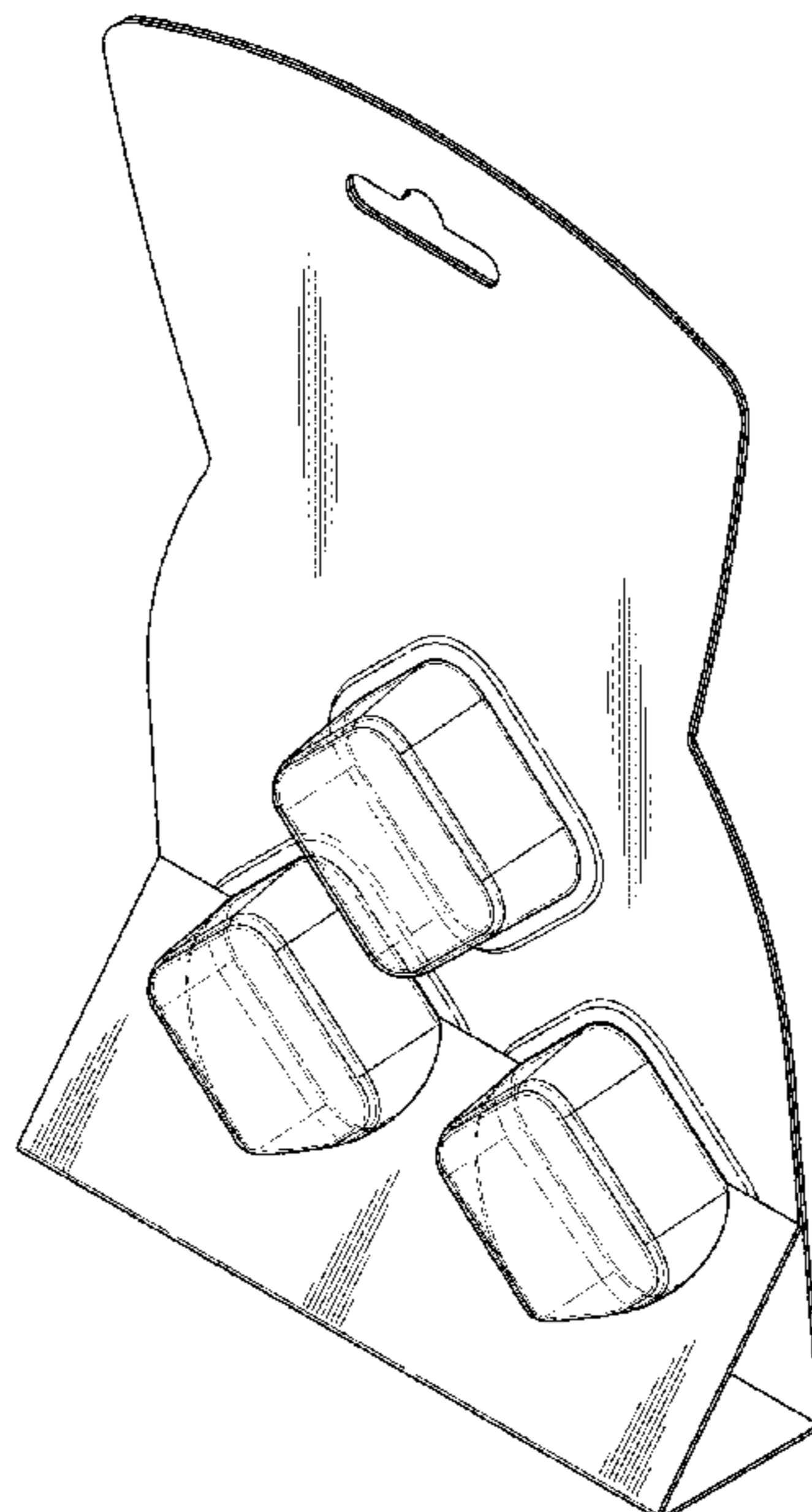
Primary Examiner — Lauren R Calve
(74) *Attorney, Agent, or Firm* — Bojuan Deng

(57) **CLAIM**
The ornamental design for a blister package, as shown and described.

DESCRIPTION

FIG. 1 is a front perspective view of a blister package embodying the new design;
FIG. 2 is a front side elevation view thereof;
FIG. 3 is a rear side elevation view thereof;
FIG. 4 is a right side elevation view thereof;
FIG. 5 is a left side elevation view thereof;
FIG. 6 is a top plan view thereof; and,
FIG. 7 is a bottom plan view thereof.

1 Claim, 7 Drawing Sheets



(56)

References Cited

U.S. PATENT DOCUMENTS

2006/0102512 A1* 5/2006 Lo Duca B65D 83/0463
206/531
2009/0272670 A1 11/2009 Petrelli et al.
2012/0085671 A1* 4/2012 Wade B65D 73/0092
206/469
2014/0103100 A1* 4/2014 Falcon B65D 5/4208
229/122
2017/0096272 A1* 4/2017 Coon B65D 75/525
2022/0002023 A1* 1/2022 Hessel B65D 5/4266

* cited by examiner

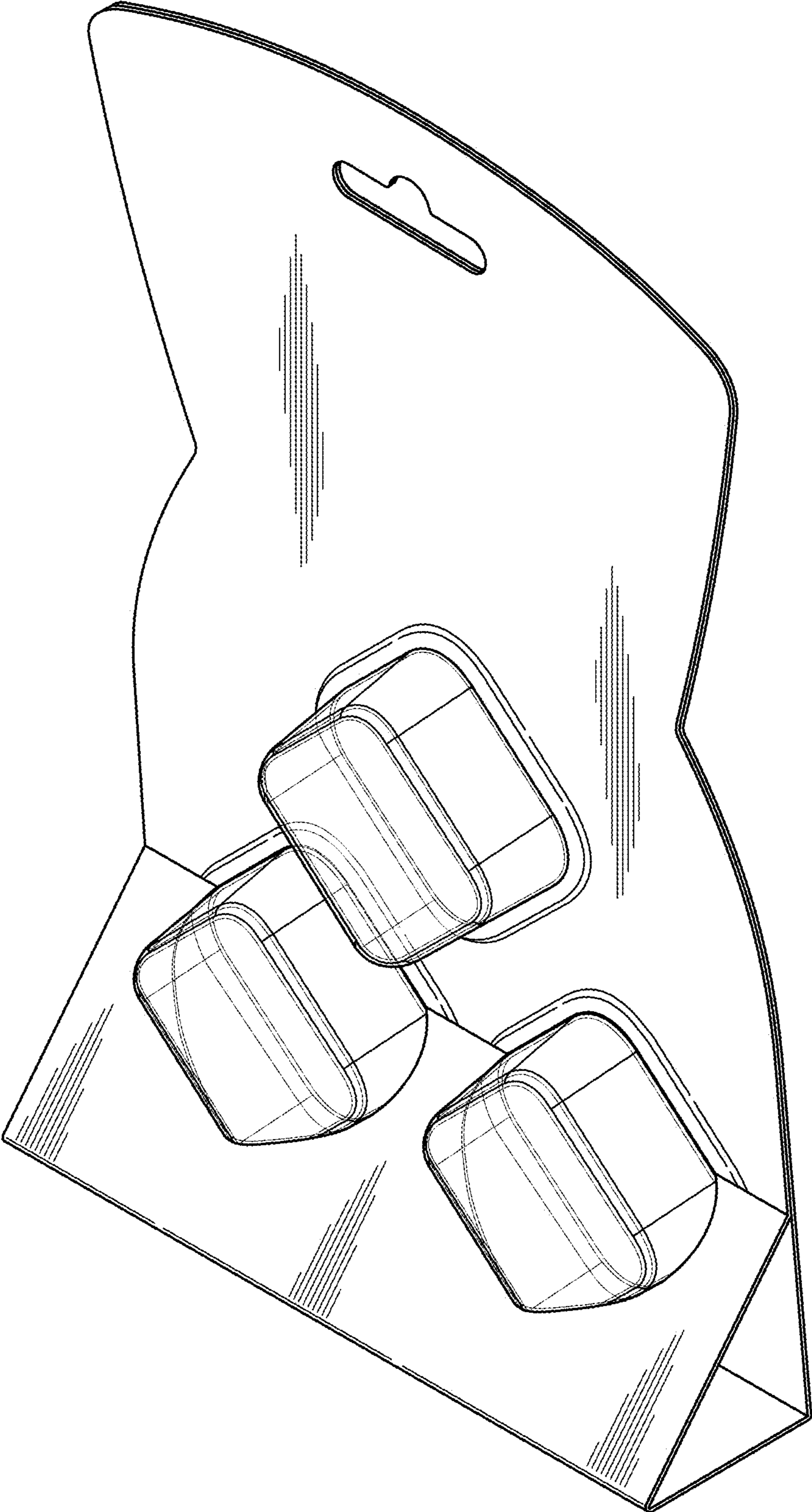


FIG. 1

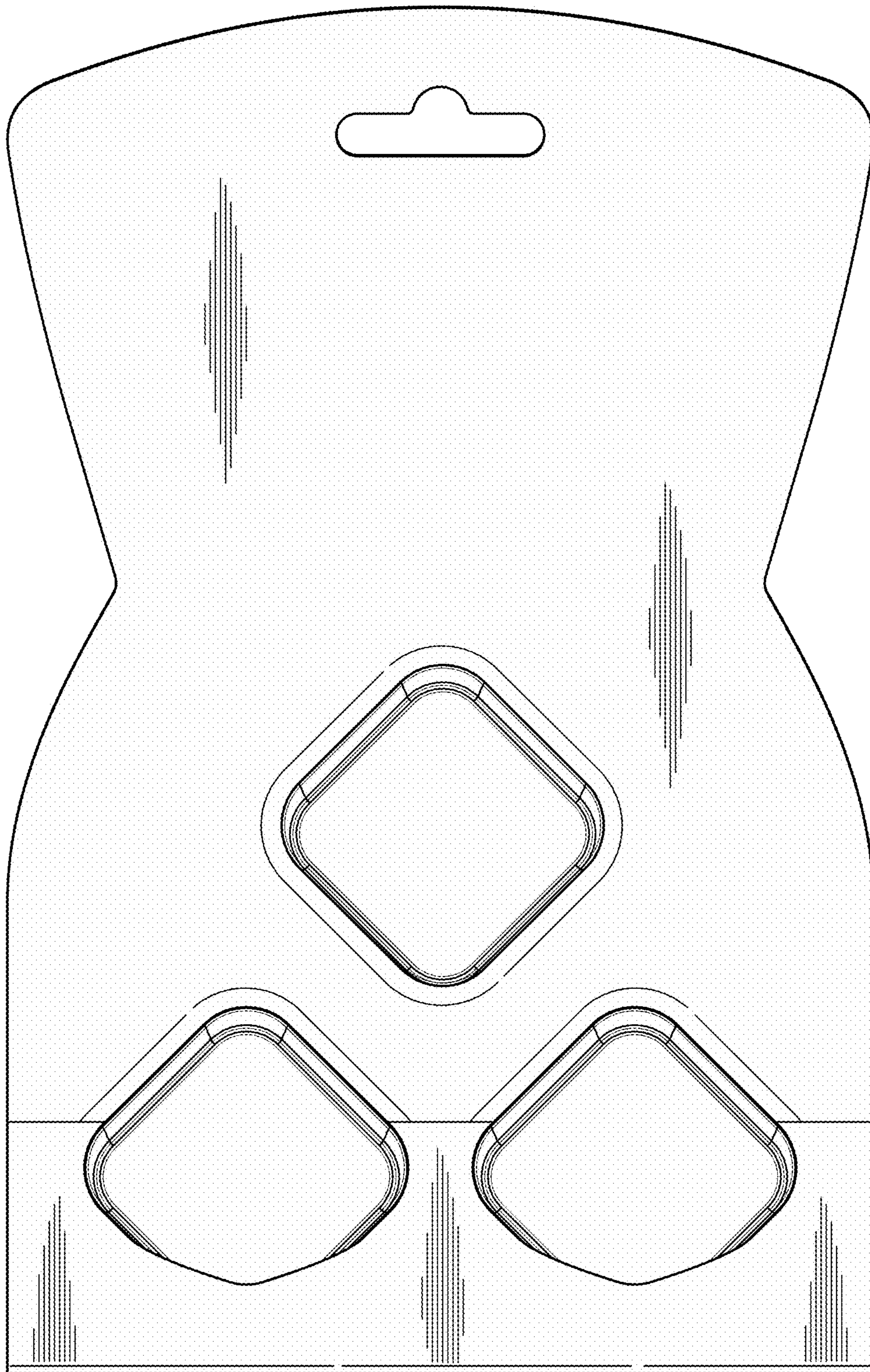


FIG. 2

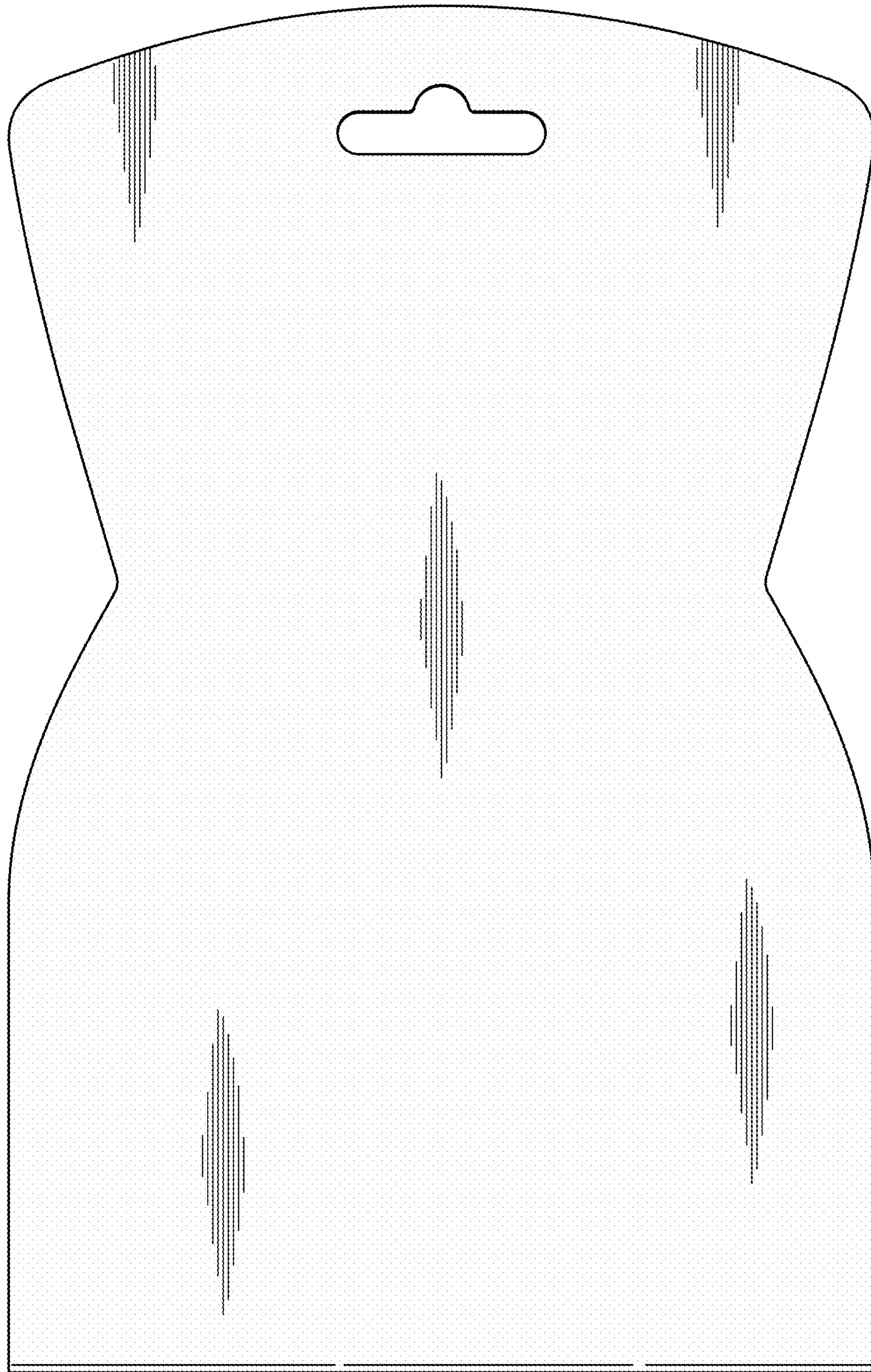


FIG. 3

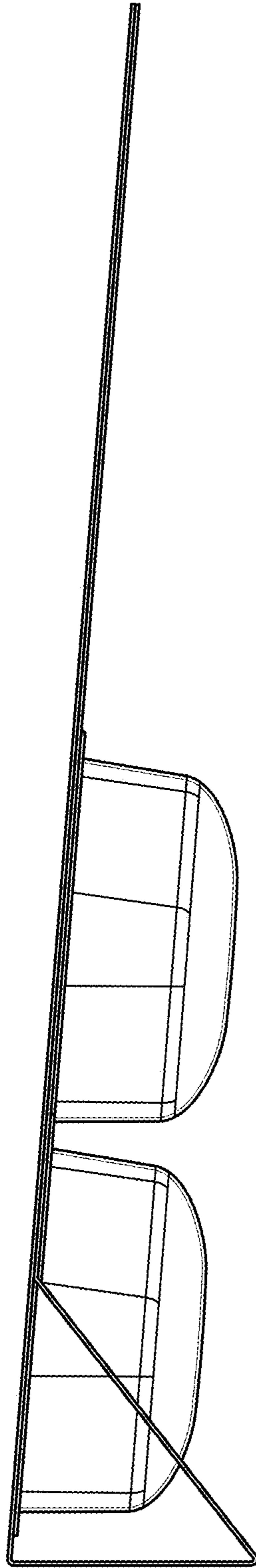


FIG. 4

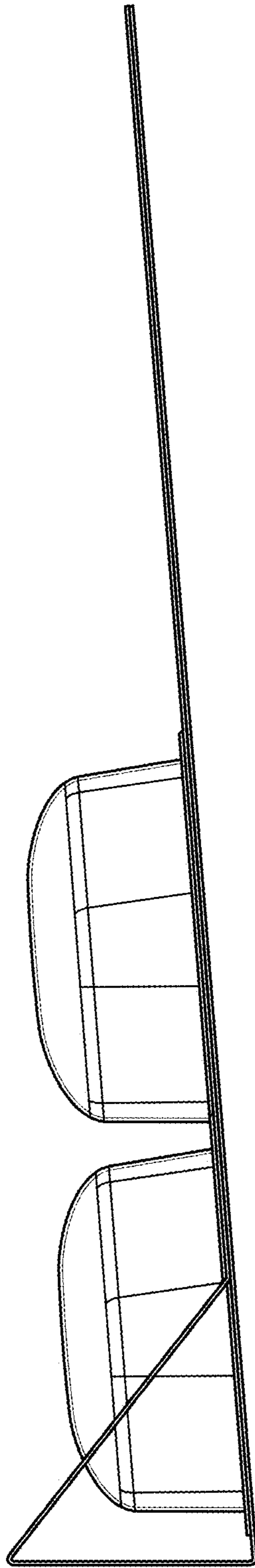


FIG. 5

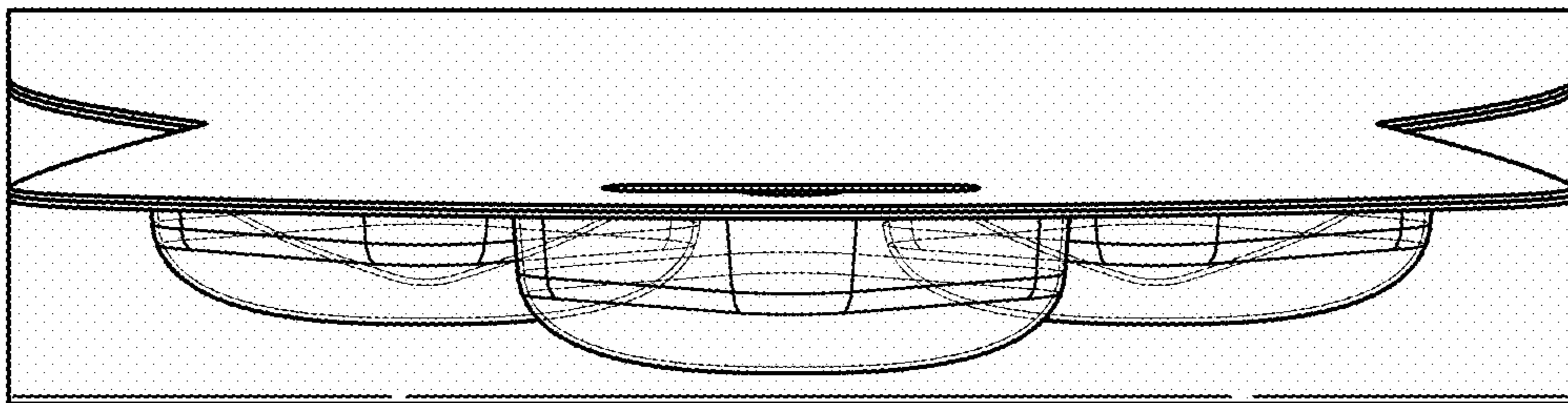


FIG. 6

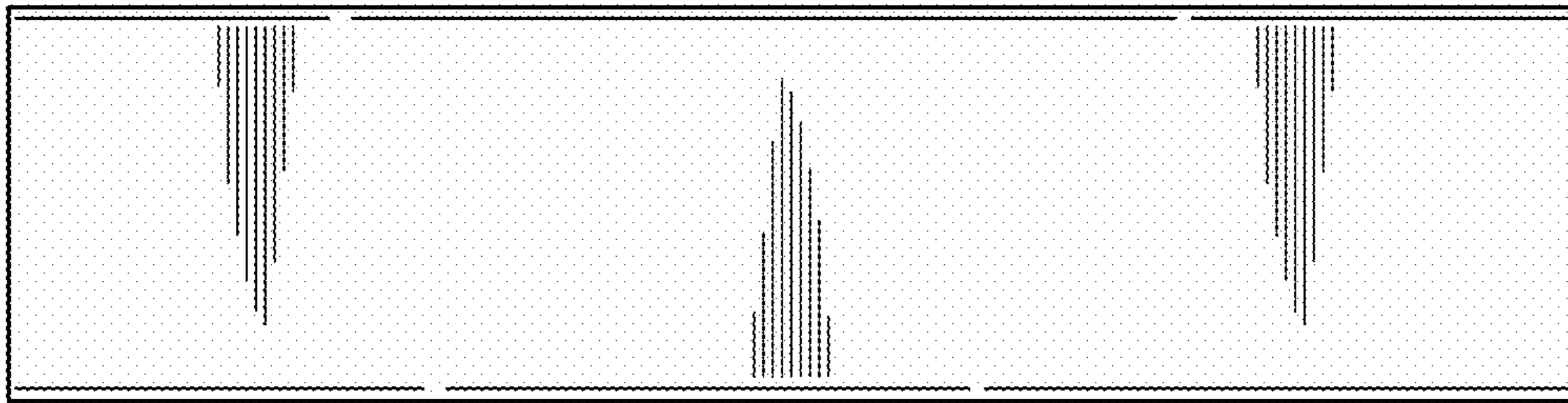


FIG. 7