

US00D959282S

(12) **United States Design Patent** (10) **Patent No.:** **US D959,282 S**  
**Neal** (45) **Date of Patent:** **\*\* Aug. 2, 2022**

(54) **SANDWICH WRAP**

(71) Applicant: **Pamela Neal**, Belleville, IL (US)

(72) Inventor: **Pamela Neal**, Belleville, IL (US)

(\*\*) Term: **15 Years**

(21) Appl. No.: **29/739,282**

(22) Filed: **Jun. 24, 2020**

(51) **LOC (13) Cl.** ..... **09-05**

(52) **U.S. Cl.**

USPC ..... **D9/713**

(58) **Field of Classification Search**

USPC ..... D19/1-12, 20-34, 100;  
40/124.01-124.15, 672, 661, 726, 776,  
40/617; 283/82, 70, 94, 81, 904;  
206/449, 815; D21/385; D20/10, 22, 27,  
D20/40, 42, 11; D14/435-437;  
235/380-383, 487, 493, 488  
CPC .. B42D 15/022; B42D 15/042; B42D 15/045;  
B42D 15/027; B42D 25/00; B42D 25/20;  
B42D 25/23; B42D 25/26; B42D 25/29;  
B42D 25/30; B42D 25/285; B42D  
2033/00; B42D 2033/04; B42D 2033/08;  
B42D 2033/10; B42D 2033/16; B42D  
2033/18; B42D 2033/20; B42D 2033/22;  
B42D 2033/28; B42D 2033/30; B65D  
27/005; B65D 27/00; B65D 27/04; B65D  
27/12;

(Continued)

(56) **References Cited**

U.S. PATENT DOCUMENTS

2,387,217 A \* 10/1945 Scott ..... B65D 65/403  
383/110  
5,743,405 A 4/1998 Reid  
6,702,178 B2 3/2004 Bowers et al.

(Continued)

Primary Examiner — Abraham Bahta

(74) *Attorney, Agent, or Firm* — Randolph Bretton; The Law Office of Randolph Bretton

(57) **CLAIM**

The ornamental design for a sandwich wrap, as shown and described.

**DESCRIPTION**

FIG. 1 is a top view of the sandwich wrap showing my new design;

FIG. 2 is an inner surface view of the sandwich wrap shown in FIG. 1.

FIG. 3 is a left side view of FIG. 2 wherein the right-side view is a mirror image thereof;

FIG. 4 is a front view of FIG. 2;

FIG. 5 is a perspective view of the inner surface of the sandwich wrap shown in FIG. 2, the inner cover in a fully open configuration;

FIG. 6 is a top view of the sandwich wrap wherein the inner sandwich cover is folded over a sandwich;

FIG. 7 is a top view of the sandwich wrap wherein one corner of the bottom of the sandwich wrap is folded over the inner sandwich cover;

FIG. 8 is a top view of the sandwich wrap wherein right bottom corner of the sandwich wrap is folded partially over the inner sandwich cover and bottom cover of FIG. 7;

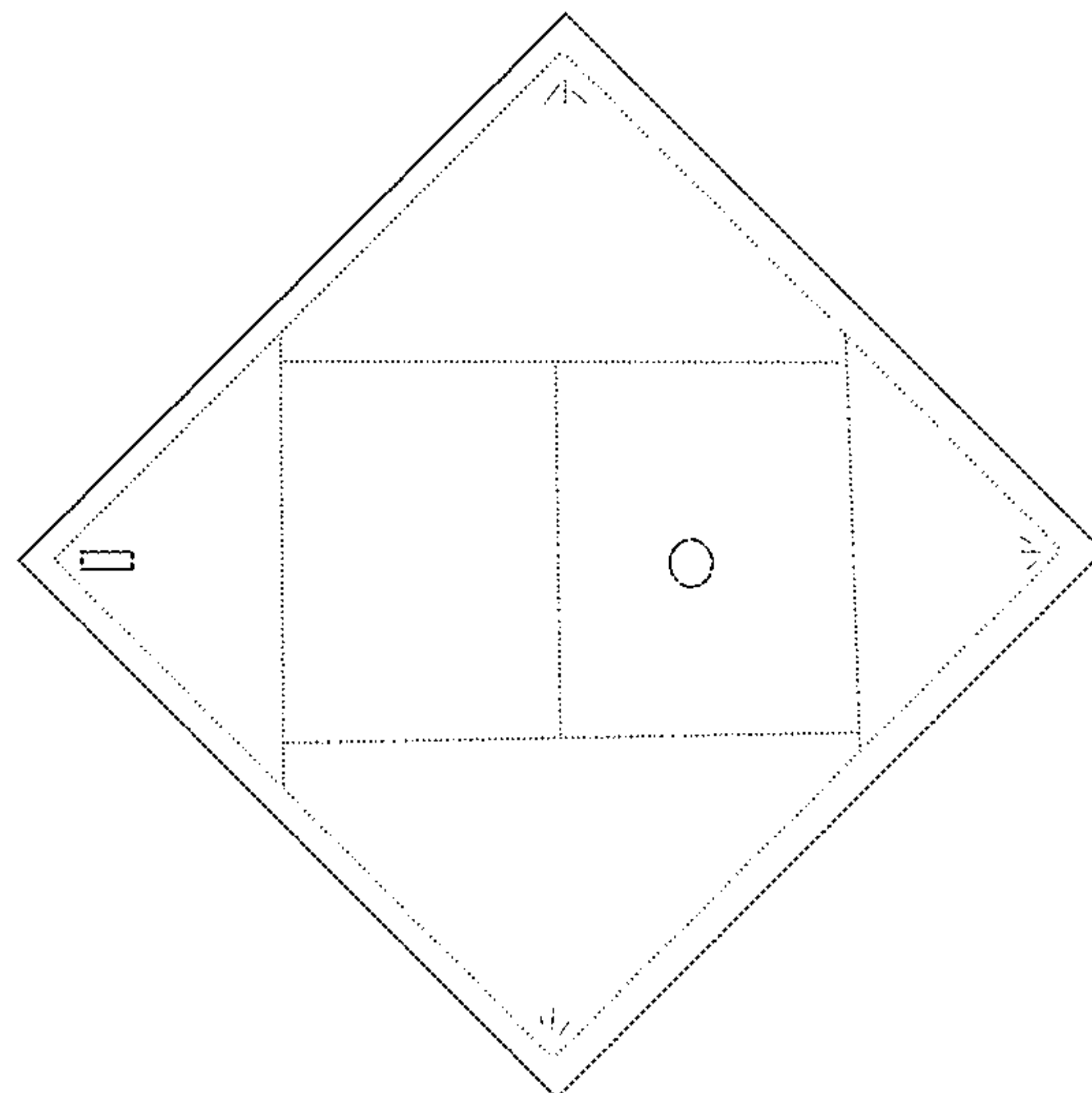
FIG. 9 is a top view of the sandwich wrap wherein the bottom left corner of the sandwich wrap is folded over the right corner;

FIG. 10 is a top view of the sandwich wrap wherein the bottom corner of the sandwich wrap is further folded up over the upper corner; and,

FIG. 11 is a top view of the sandwich wrap wherein the upper corner of the sandwich wrap is folded down and the wrap is in a fully wrapped configuration by the button thorough the button hole of the upper corner.

Broken lines in FIG. 5, represent an explementary sandwich. Dotted lines in FIGS. 1-11 represent stitching. Neither broken lines nor dotted lines form any part of the claimed design and are for illustrative purposes only.

**1 Claim, 9 Drawing Sheets**



(58) **Field of Classification Search**

CPC ..... B65D 27/22; B65D 27/24; B65D 27/30;  
B65D 27/32; B65D 27/36

See application file for complete search history.

(56) **References Cited**

U.S. PATENT DOCUMENTS

9,033,578	B2	5/2015	Ostroy
D738,744	S	9/2015	Sanders
9,963,261	B2	5/2018	Moore
10,220,982	B2	2/2019	Albers
10,271,672	B1	4/2019	Yen et al.
D869,960	S	12/2019	Schulter
2007/0122599	A1	5/2007	Furlong

\* cited by examiner

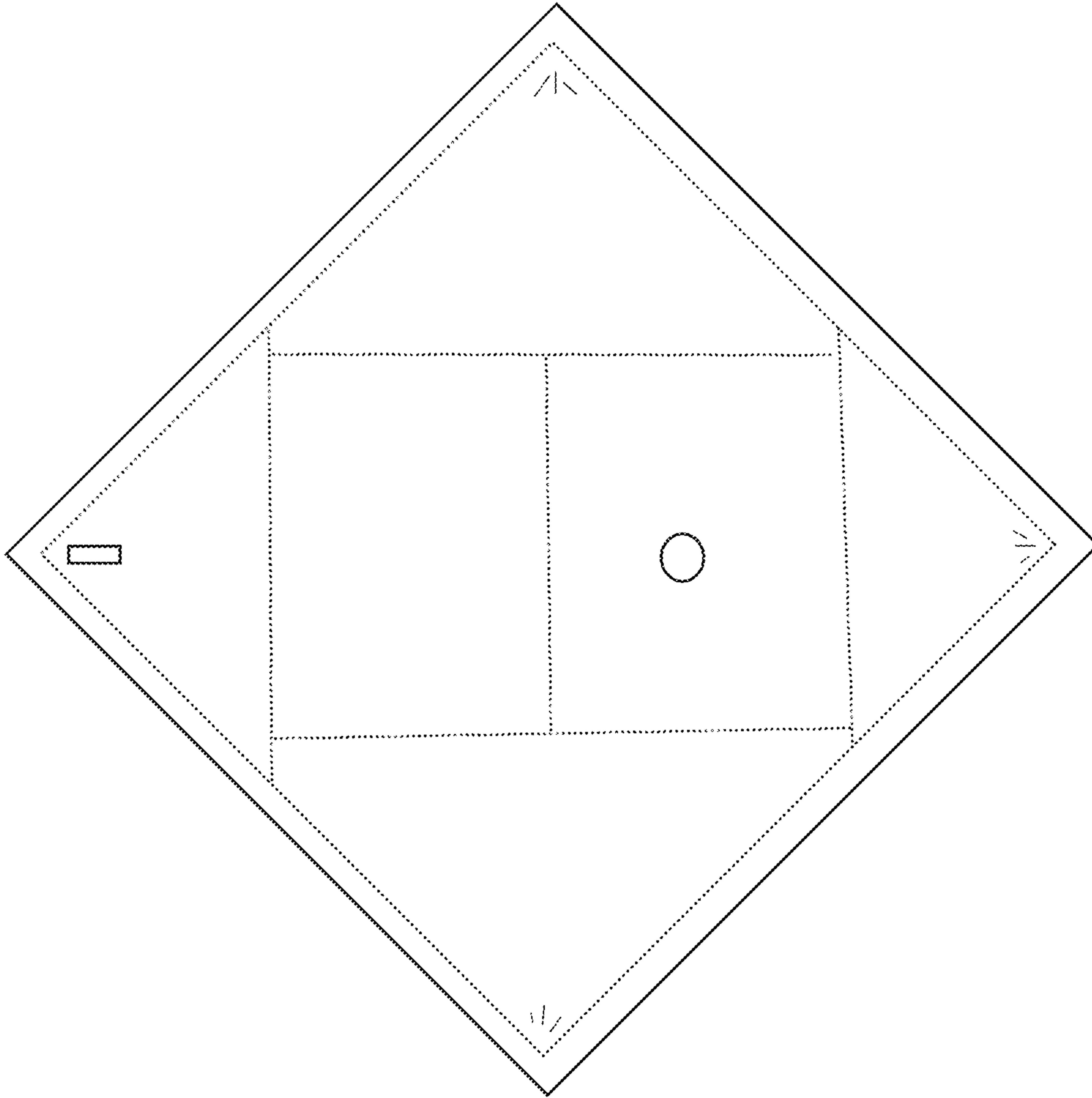


FIG. 1

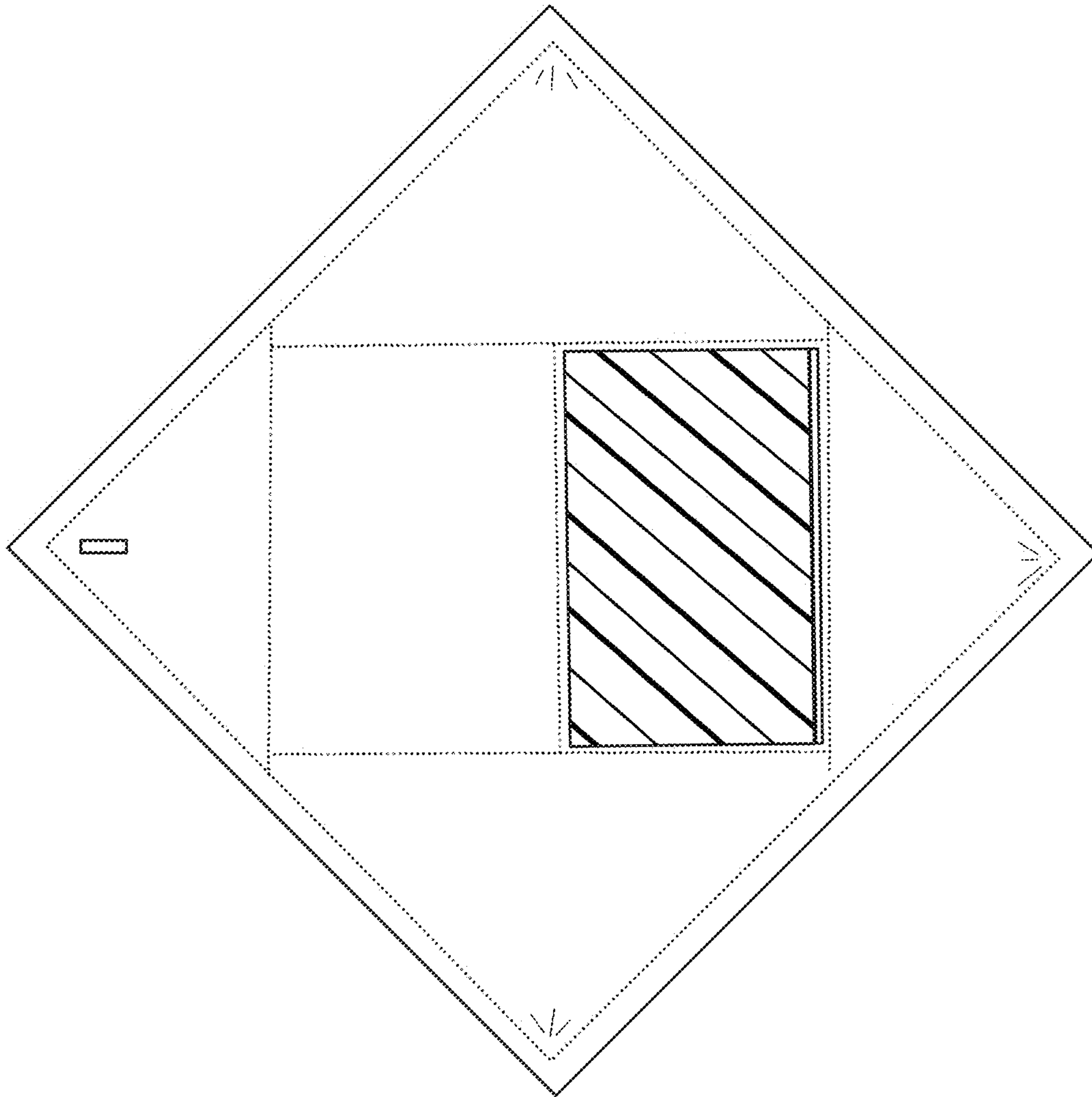


FIG. 2

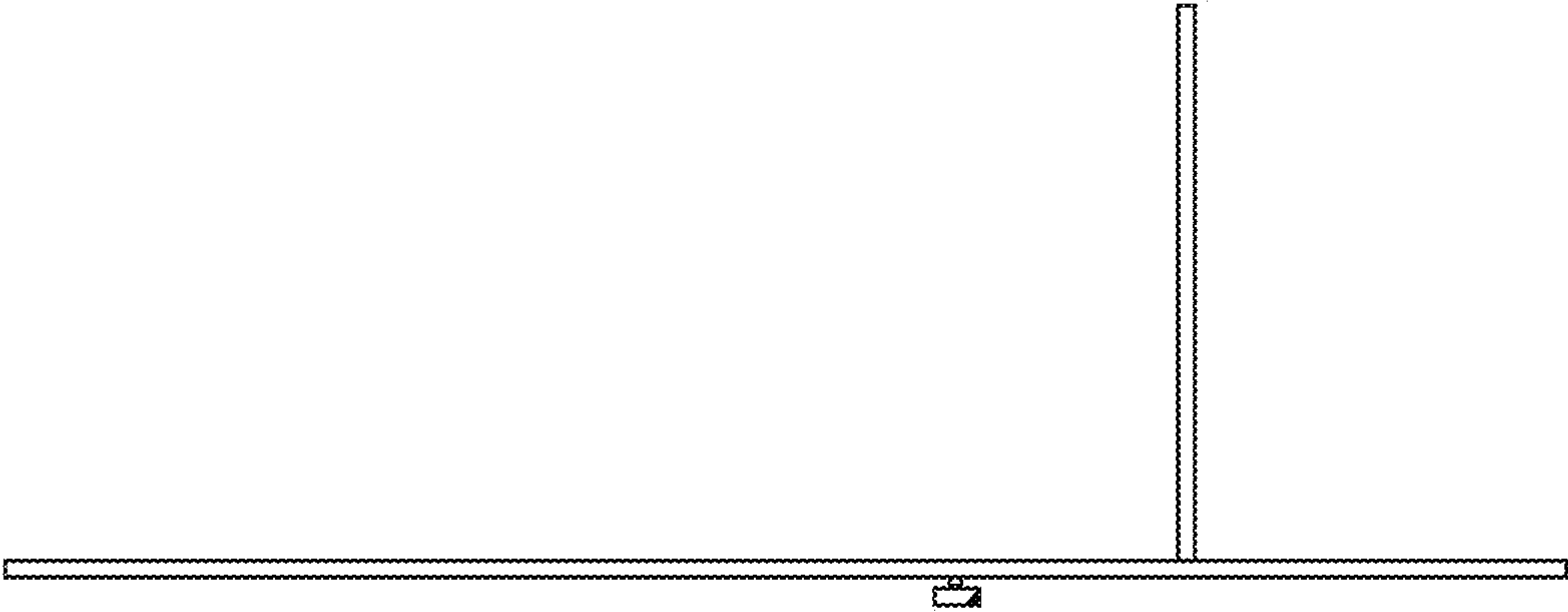


FIG. 3

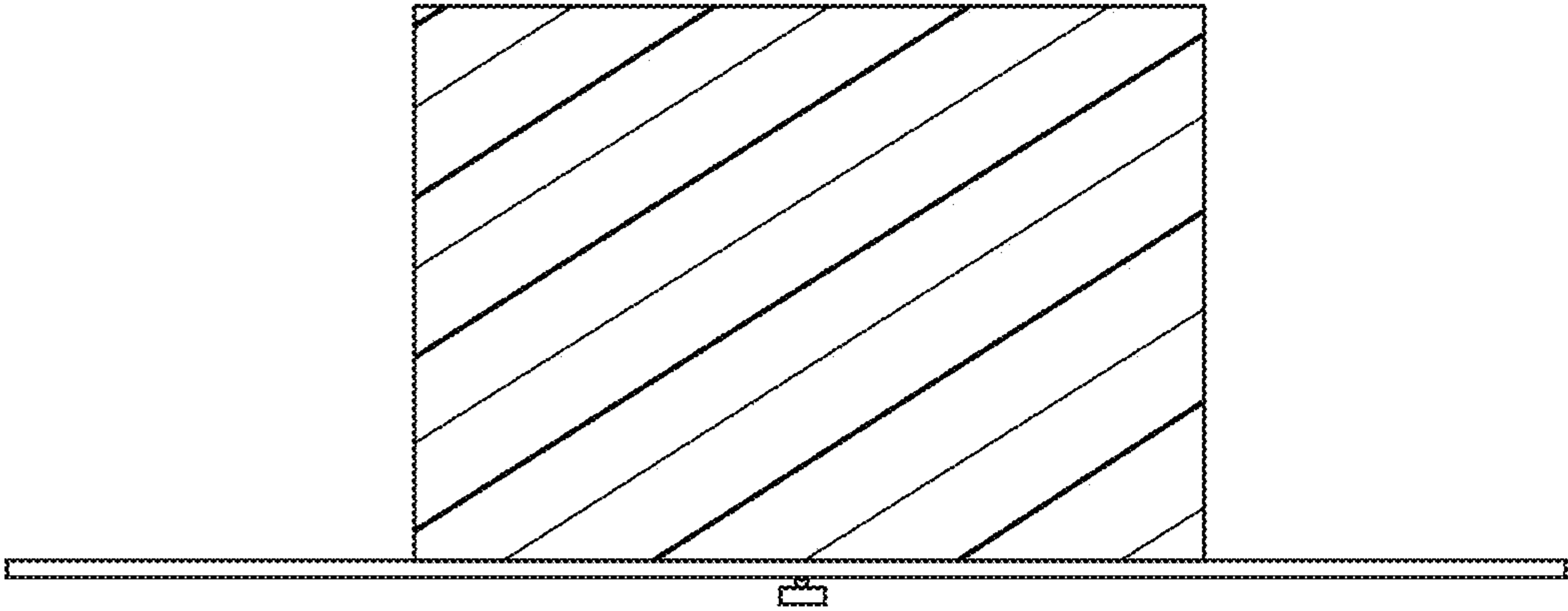


FIG. 4

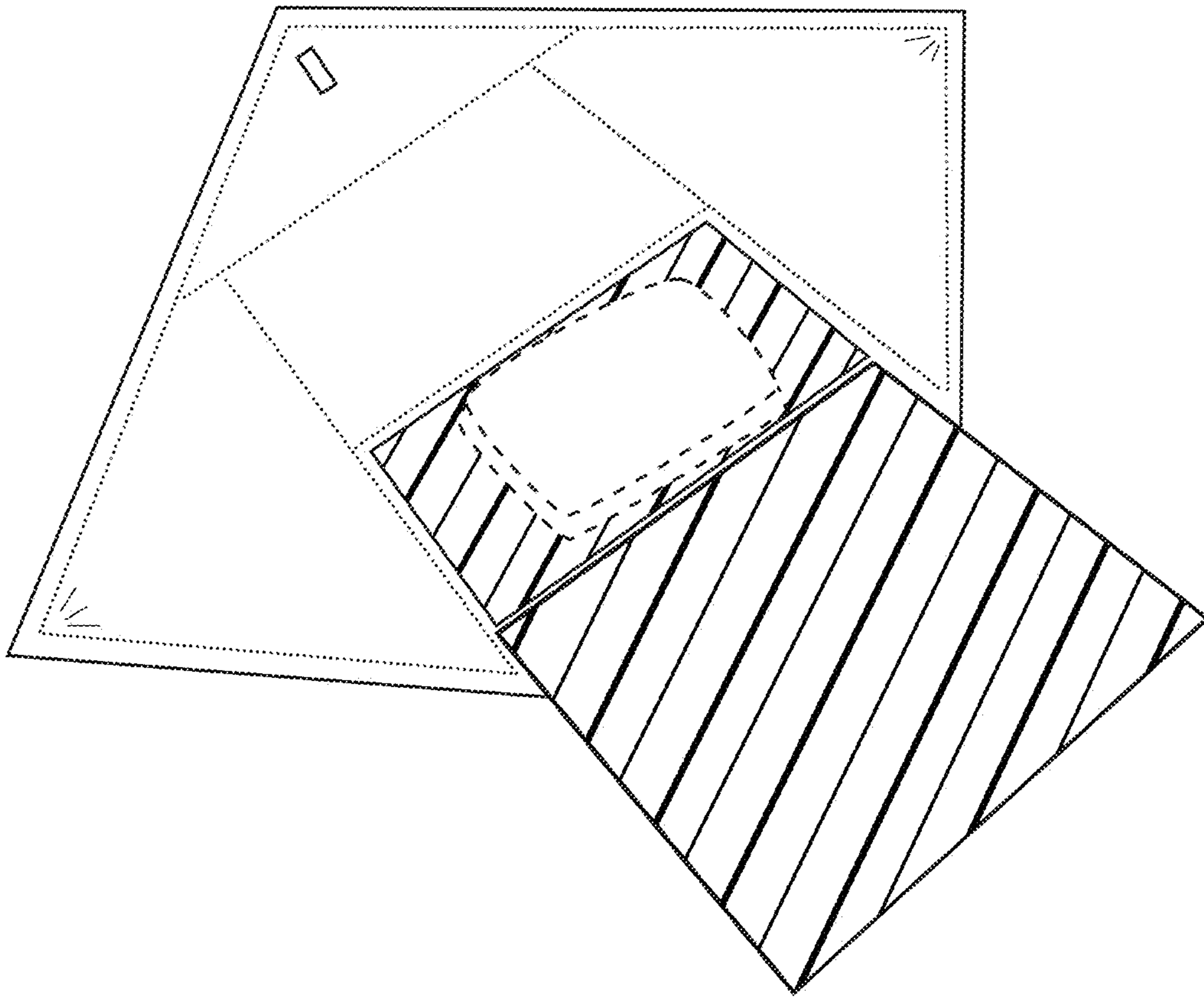


FIG. 5



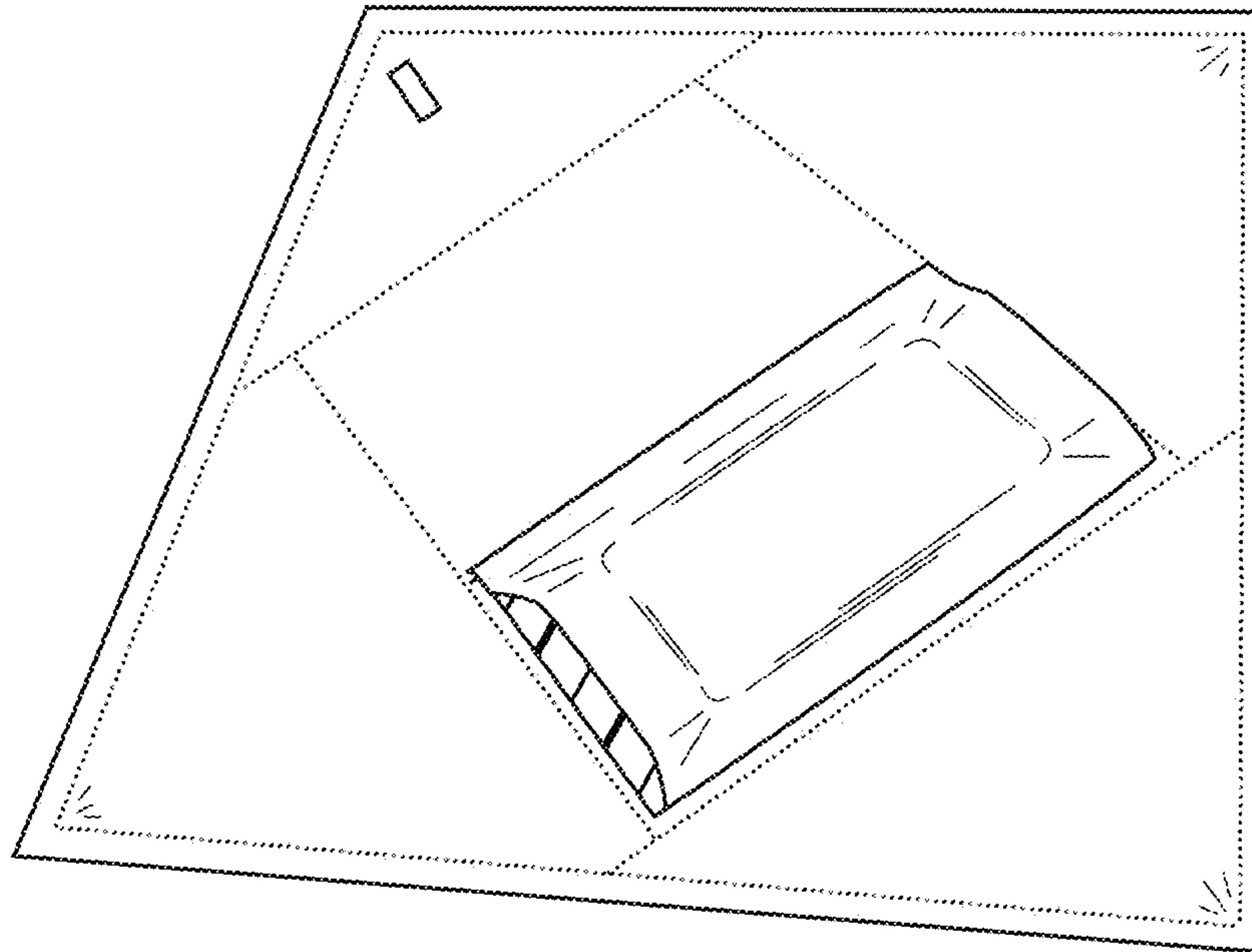


FIG. 6

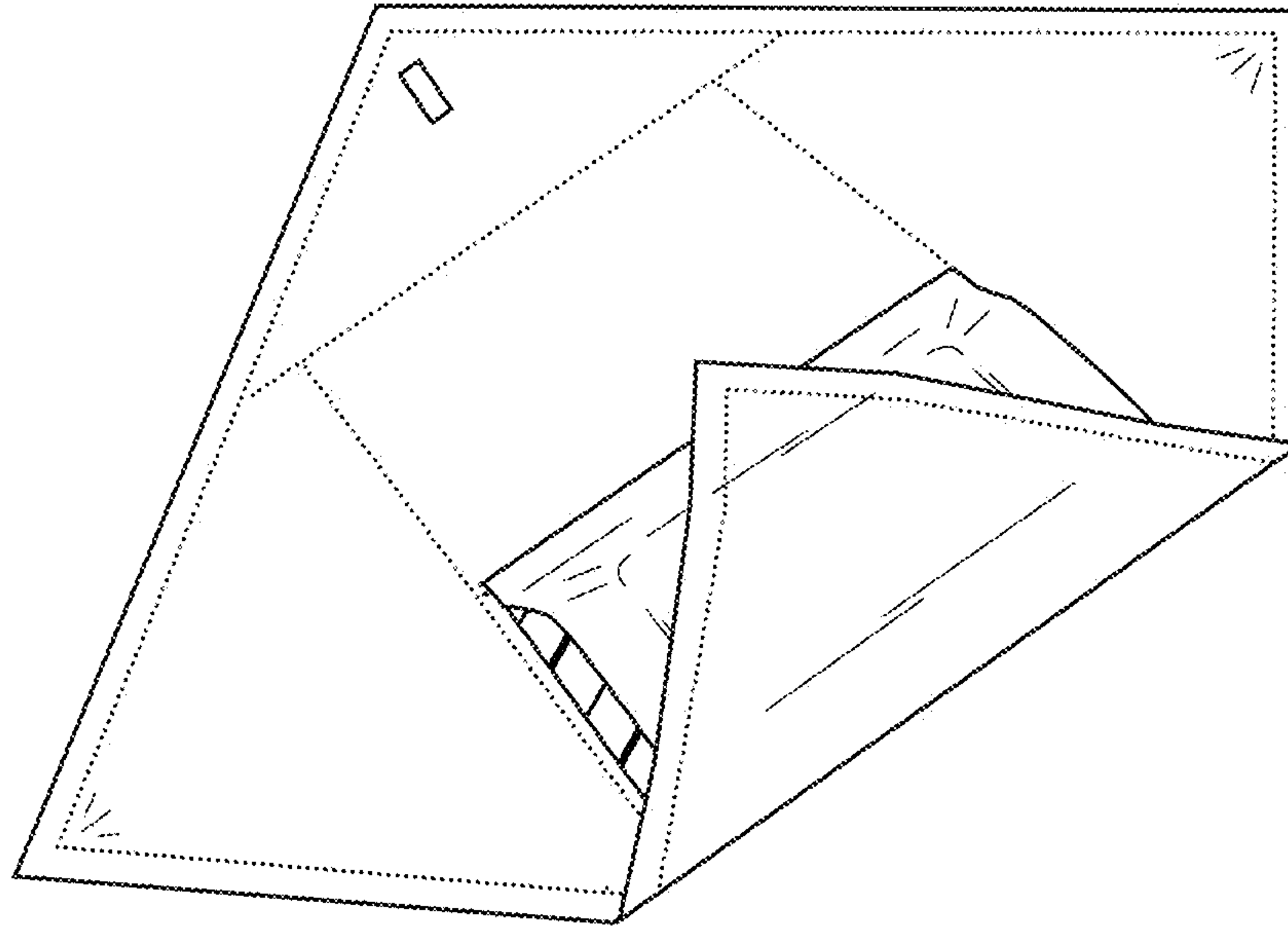


FIG. 7



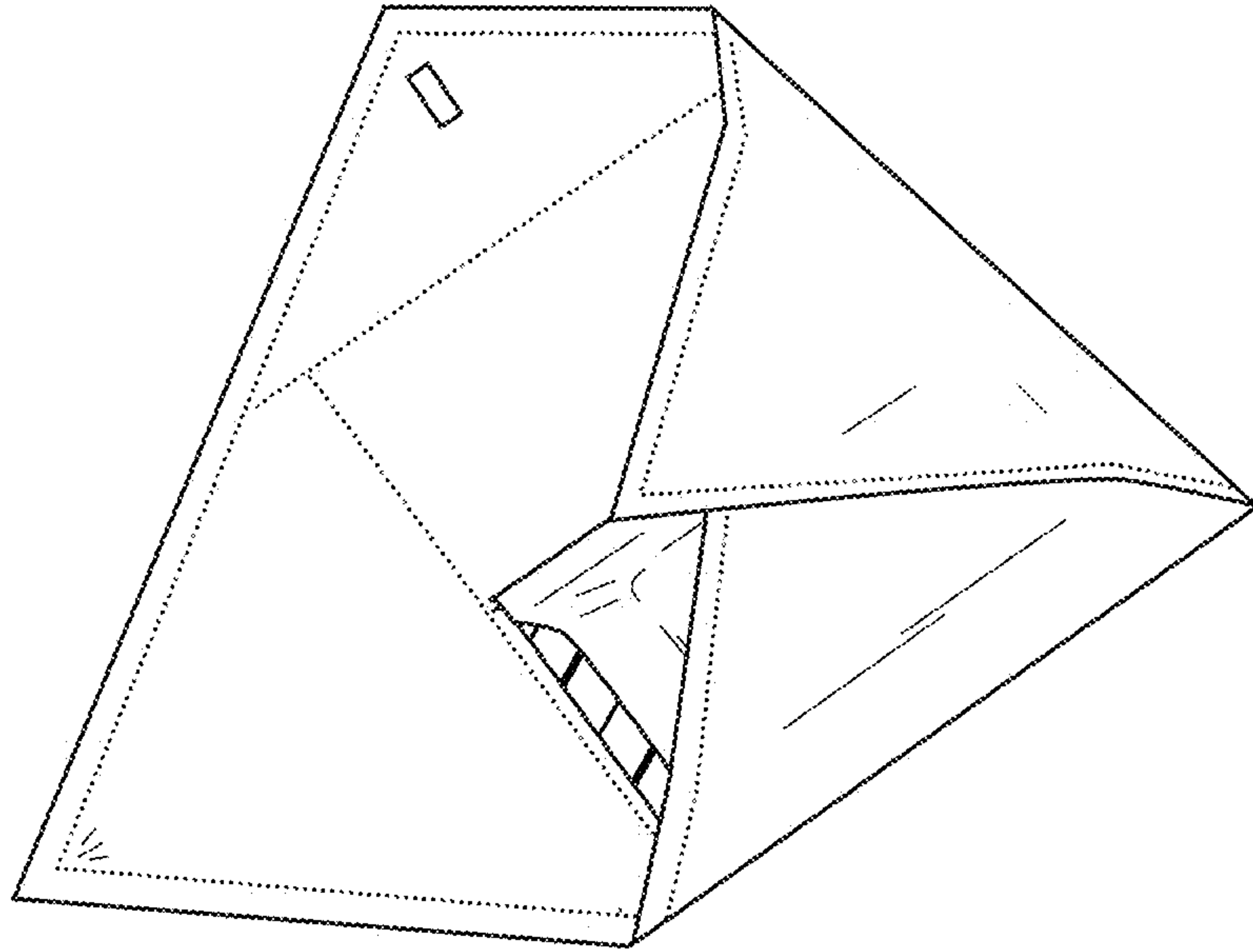


FIG. 8

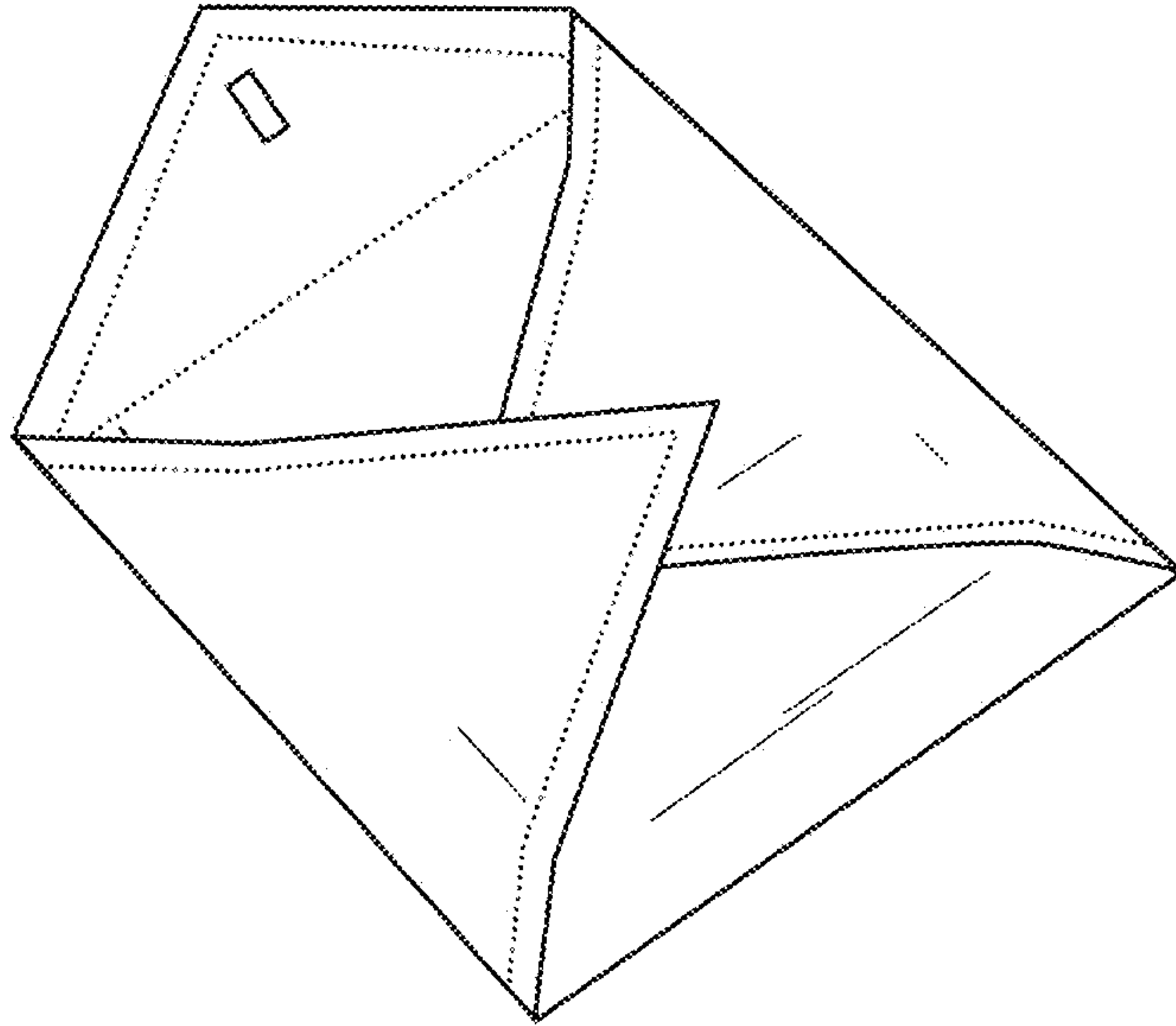


FIG. 9

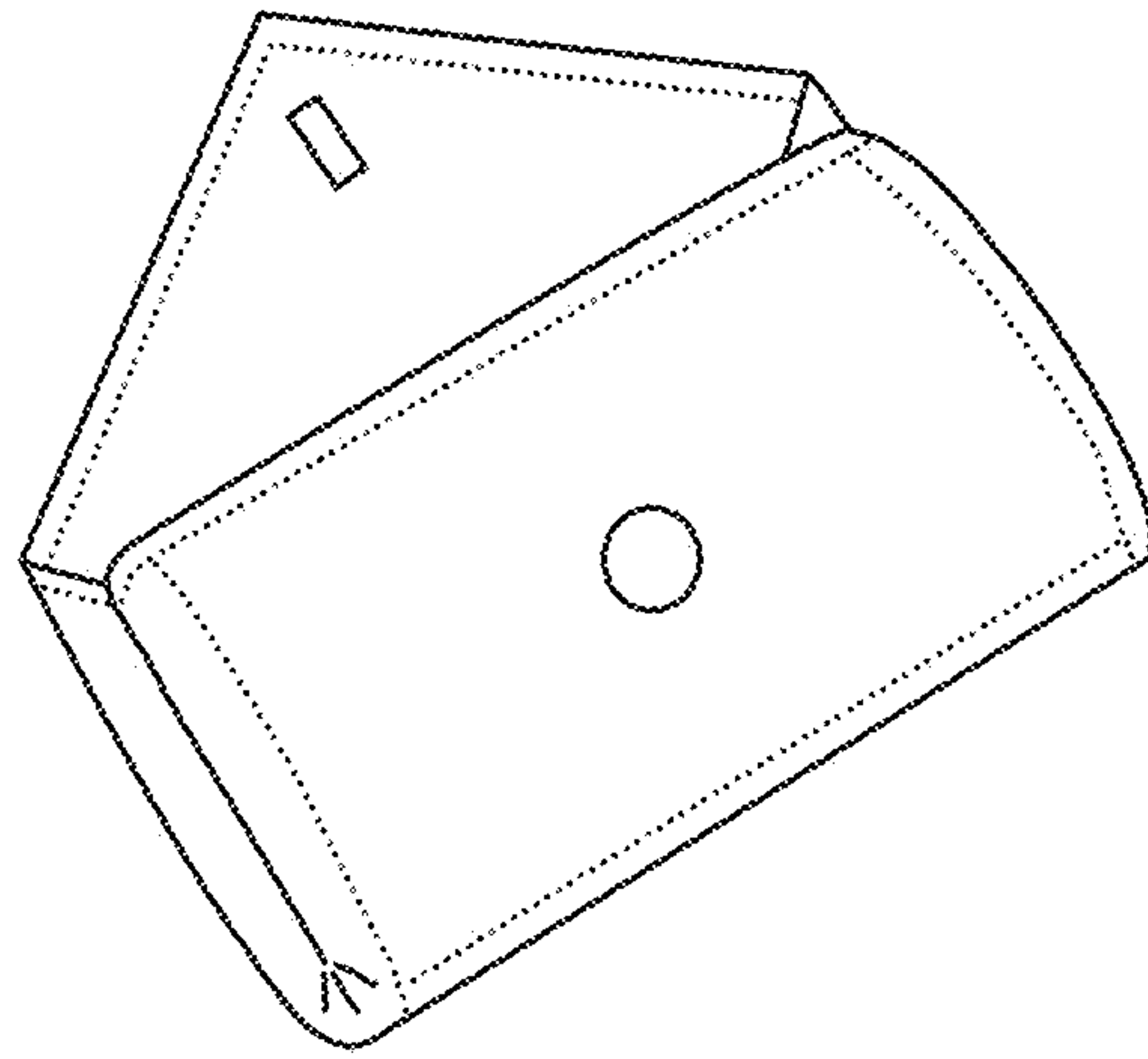


FIG. 10

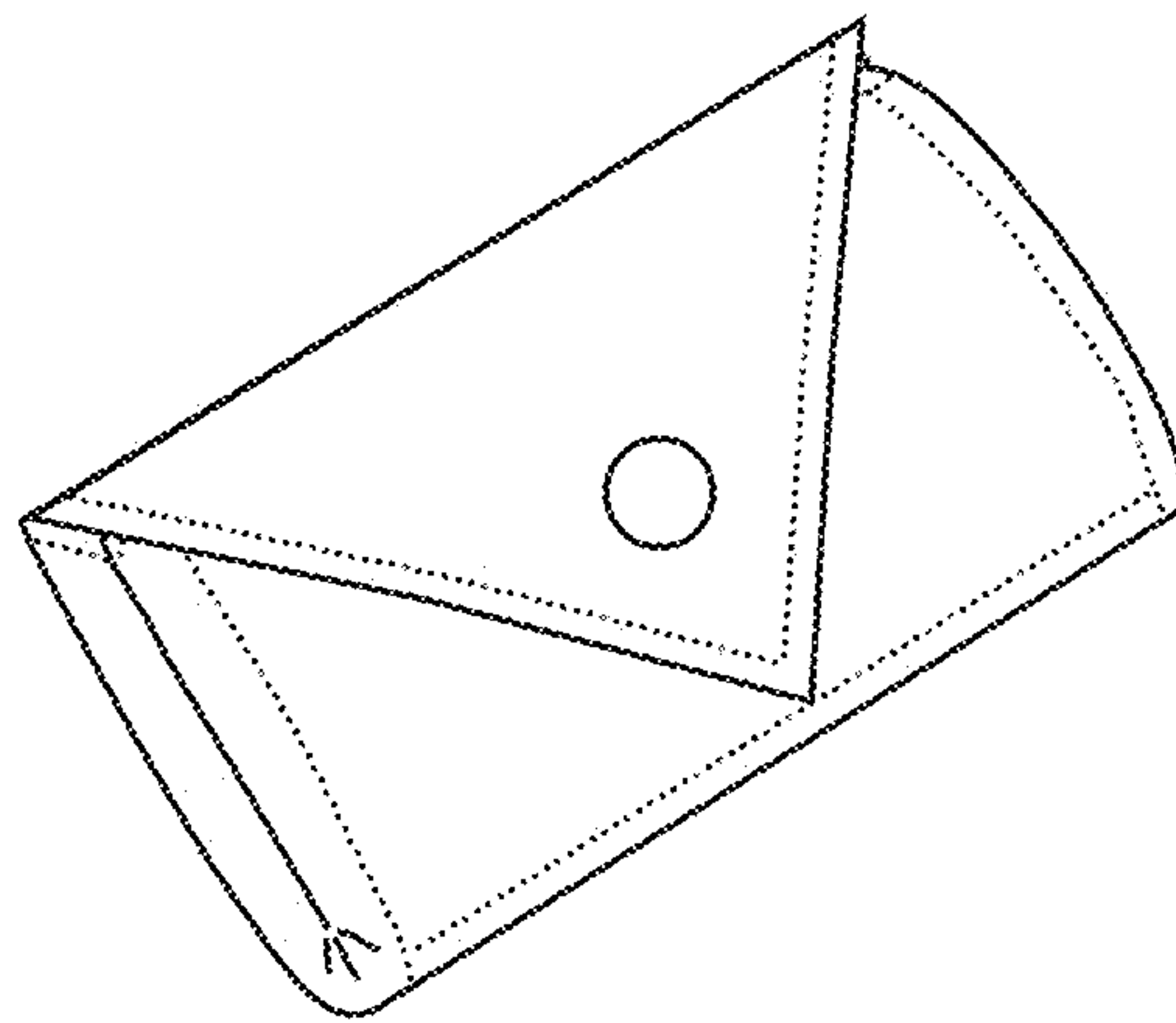


FIG. 11