

US00D959280S

(12) **United States Design Patent** (10) **Patent No.:** **US D959,280 S**
Webb (45) **Date of Patent:** **** Aug. 2, 2022**

(54) **BOTTLE**
(71) Applicant: **Mary Kay Inc.**, Addison, TX (US)
(72) Inventor: **Zachary Webb**, Addison, TX (US)
(73) Assignee: **MARY KAY INC.**, Addison, TX (US)
(**) Term: **15 Years**

Primary Examiner — Catherine A Tuttle
(74) *Attorney, Agent, or Firm* — Norton Rose Fulbright
US LLP

(21) Appl. No.: **29/719,397**
(22) Filed: **Jan. 3, 2020**
(51) **LOC (13) Cl.** **09-01**
(52) **U.S. Cl.**
USPC **D9/691**
(58) **Field of Classification Search**
USPC D9/682–694, 600–681, 500–505,
D9/516–575, 435, 436, 439, 440, 445,
D9/448, 452–454; D28/79–91.1
CPC .. A45D 34/00; A45D 34/02; A45D 2034/005;
A45D 2034/007; A45D 2200/051–057;
B05B 11/00–3098
See application file for complete search history.

(57) **CLAIM**

The ornamental design for a bottle, as shown and described.

DESCRIPTION

FIG. 1 is a top perspective view of a first embodiment of the bottle showing my new design;
FIG. 2 is a front view thereof;
FIG. 3 is a back view thereof;
FIG. 4 is a right side view thereof;
FIG. 5 is a left side view thereof;
FIG. 6 is a top view thereof;
FIG. 7 is a bottom view thereof;
FIG. 8 is a bottom perspective view thereof;
FIG. 9 is a top perspective view showing a second embodiment of my new design for bottle. The difference between the second embodiment and the first embodiment represented in FIGS. 1-8 is that the “Mary Kay” logo, the dip tube, and portions of the finger pump mechanism (when viewed from the bottom perspective view) in the second embodiment are each represented in solid lines. The “Mary Kay” logo in the second embodiment is debossed into the surface of the neck portion of the bottle;
FIG. 10 is a front view thereof;
FIG. 11 is a back view thereof;
FIG. 12 is a right side view thereof;
FIG. 13 is a left side view thereof;
FIG. 14 is a top view thereof;
FIG. 15 is a bottom view thereof; and,
FIG. 16 is a bottom perspective view thereof.
The dashed lines in FIGS. 1-16 are included for the purpose of illustrating portions of bottle that form no part of the claim to the embodiment in which they are shown.

(56) **References Cited**

U.S. PATENT DOCUMENTS

D69,486 S *	2/1926	Braun	D9/545
D99,764 S *	5/1936	Trompeter	D9/500
D152,393 S	1/1949	Buckingham		
D253,455 S *	11/1979	Beene	D9/505
D322,395 S	12/1991	Sommer		
D325,343 S	4/1992	Pisar		
D338,157 S *	8/1993	Desgrippes	D9/435
D354,229 S *	1/1995	Desgrippes	D9/503
D354,441 S *	1/1995	Fontanella	D9/504
D355,602 S *	2/1995	Buettner	D9/505

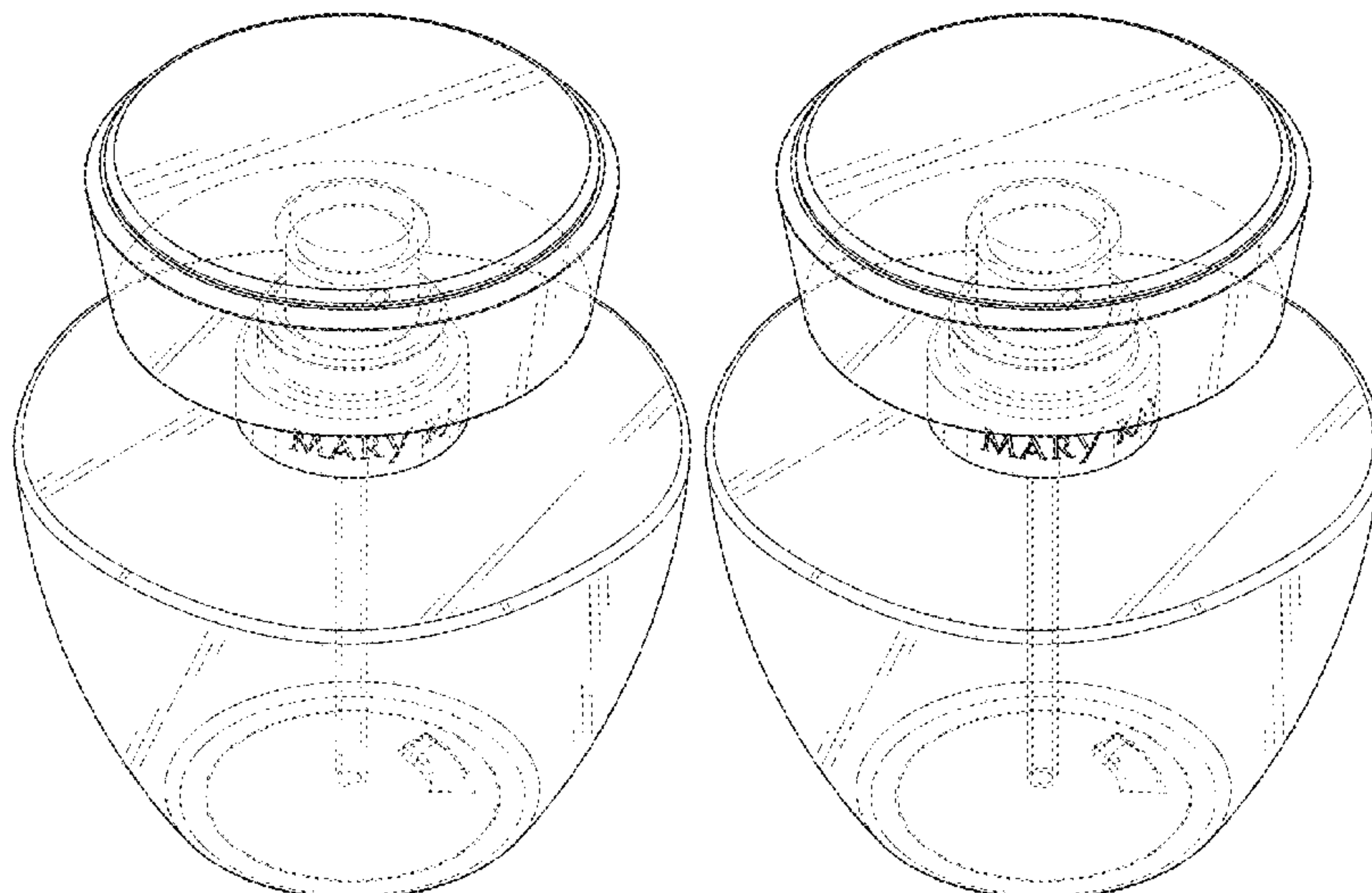
(Continued)

FOREIGN PATENT DOCUMENTS

CH	00132911-0001	8/2006
CH	00134548-0001	1/2008

(Continued)

1 Claim, 16 Drawing Sheets



US D959,280 S

(56)

References Cited

U.S. PATENT DOCUMENTS

D401,155 S	*	11/1998	de Mourgues	D9/558
D412,440 S	*	8/1999	Chuang	D9/503
D418,424 S		1/2000	Gobe	
D418,425 S		1/2000	Gobe	
D419,057 S		1/2000	Gobe	
D424,942 S	*	5/2000	Ohchi	D9/503
D432,921 S		10/2000	Gobe	
D447,059 S		8/2001	Vette	
D461,419 S	*	8/2002	Burger	D9/545
D463,263 S	*	9/2002	Gobe	D9/691
D468,626 S	*	1/2003	Jødal	D9/516
D495,956 S		9/2004	Martinez	
D497,795 S	*	11/2004	Fling	D9/692
D498,665 S		11/2004	Mansau	
D502,649 S		3/2005	Martinez	
D555,505 S		11/2007	Brandt	
D573,035 S	*	7/2008	Dean	D9/503
D576,044 S	*	9/2008	Lamb	D9/504
D581,280 S		11/2008	Oates	
D589,362 S	*	3/2009	Takounseun	D9/691
D596,950 S		7/2009	Nevins et al.	
D598,293 S		8/2009	Liu et al.	
D613,175 S		4/2010	Delbon	
D622,614 S	*	8/2010	DeMarco	D9/691
D626,421 S	*	11/2010	Szymula	D9/559
D627,656 S		11/2010	Wendt	
D634,638 S		3/2011	L'Abbate	
D634,639 S		3/2011	L'Abbate	
D636,268 S		4/2011	Gautier	
D643,739 S		8/2011	Schmertz, Jr. et al.	
D655,618 S		3/2012	Oates et al.	
D660,172 S		5/2012	Schmertz, Jr. et al.	
D660,174 S		5/2012	Schmertz, Jr. et al.	
D691,485 S		10/2013	Beck et al.	
D692,766 S		11/2013	Oates et al.	
D695,116 S	*	12/2013	Ahn	D9/503
D703,059 S		4/2014	Chopdat et al.	
D710,205 S		8/2014	Moretti	
D713,257 S		9/2014	Del Bon	
D742,755 S		11/2015	DeVore et al.	
D746,147 S		12/2015	Watabe	
D753,501 S		4/2016	Komai et al.	
D773,628 S	*	12/2016	Gobber	D23/366
D775,958 S	*	1/2017	Louis	D9/503
D778,162 S		2/2017	Aebi	
9,763,509 B1	*	9/2017	Dutton	A61Q 13/00
D801,190 S		10/2017	Bertaux	
D801,820 S		11/2017	Mefford	
D814,933 S		4/2018	Cutler	

D821,221 S		6/2018	Jung	
D840,235 S		2/2019	Komai et al.	
D932,303 S	*	10/2021	Kuo	D9/503

FOREIGN PATENT DOCUMENTS

CN	301844136	*	2/2012
CN	303496945 S		12/2015
CN	304205519 S		7/2017
CN	305198318 S		6/2019
EM	00042825-0001		9/2003
EM	00212295-0001		10/2004
EM	00212303-0001		10/2004
EM	00294046-0001		4/2005
EM	00308291-0004		5/2005
EM	00363775-0001		8/2005
EM	00363775-0002		8/2005
EM	00368170-0003		8/2005
EM	00522842-0001		6/2006
EM	00956370-0001		7/2008
EM	00507827-0001		9/2008
EM	01111033-0002		5/2009
EM	01674334-0004		3/2010
EM	01757212-0001		9/2010
EM	001991043-0033	*	2/2012
EM	02153569-0001		12/2012
EM	002226001-0003	*	5/2014
EM	02445411-0001		9/2014
EM	02718338-0001		10/2015
EM	02718338-0002		10/2015
EM	02608885-0001		1/2017
EM	02608885-0002		1/2017
EM	03385327-0001		2/2017
EM	03385327-0004		2/2017
EM	03877653-0020		5/2017
EM	03877653-0022		5/2017
EM	04005973-0029		5/2017
EM	02599076-0001		7/2017
EM	02599076-0002		7/2017
EM	02620732-0001		7/2017
EM	04171817-0005		9/2017
EM	04171817-0010		9/2017
EM	04171817-0043		9/2017
EM	04707115-0004		3/2018
EM	005114022-0001	*	3/2018
KR	300430839		11/2006
KR	300470946		11/2007
KR	300746442		6/2014
KR	300842439		3/2016
WO	IR00098417-0004		11/2017
WO	IR00098417-0005		11/2017

* cited by examiner

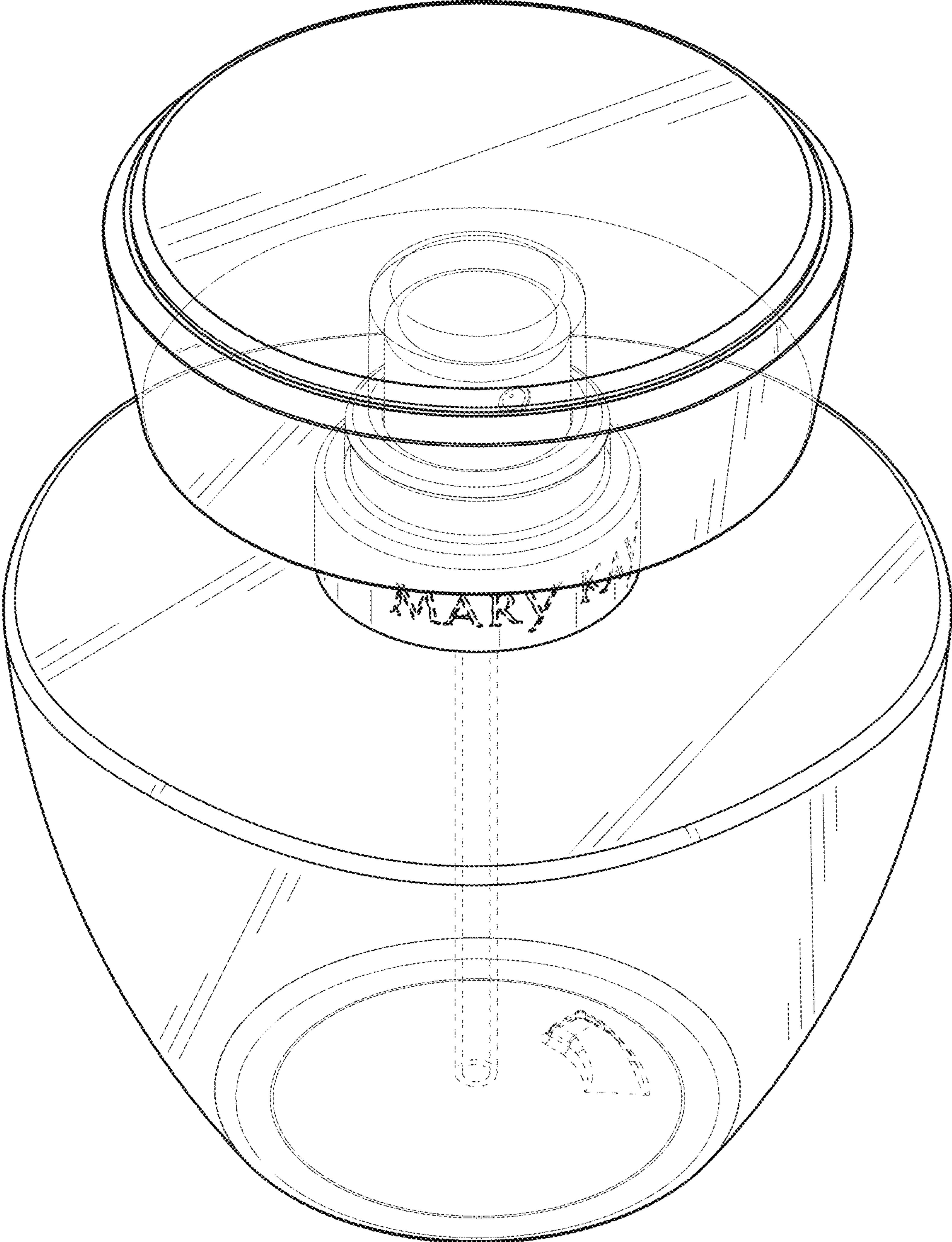


FIG. 1

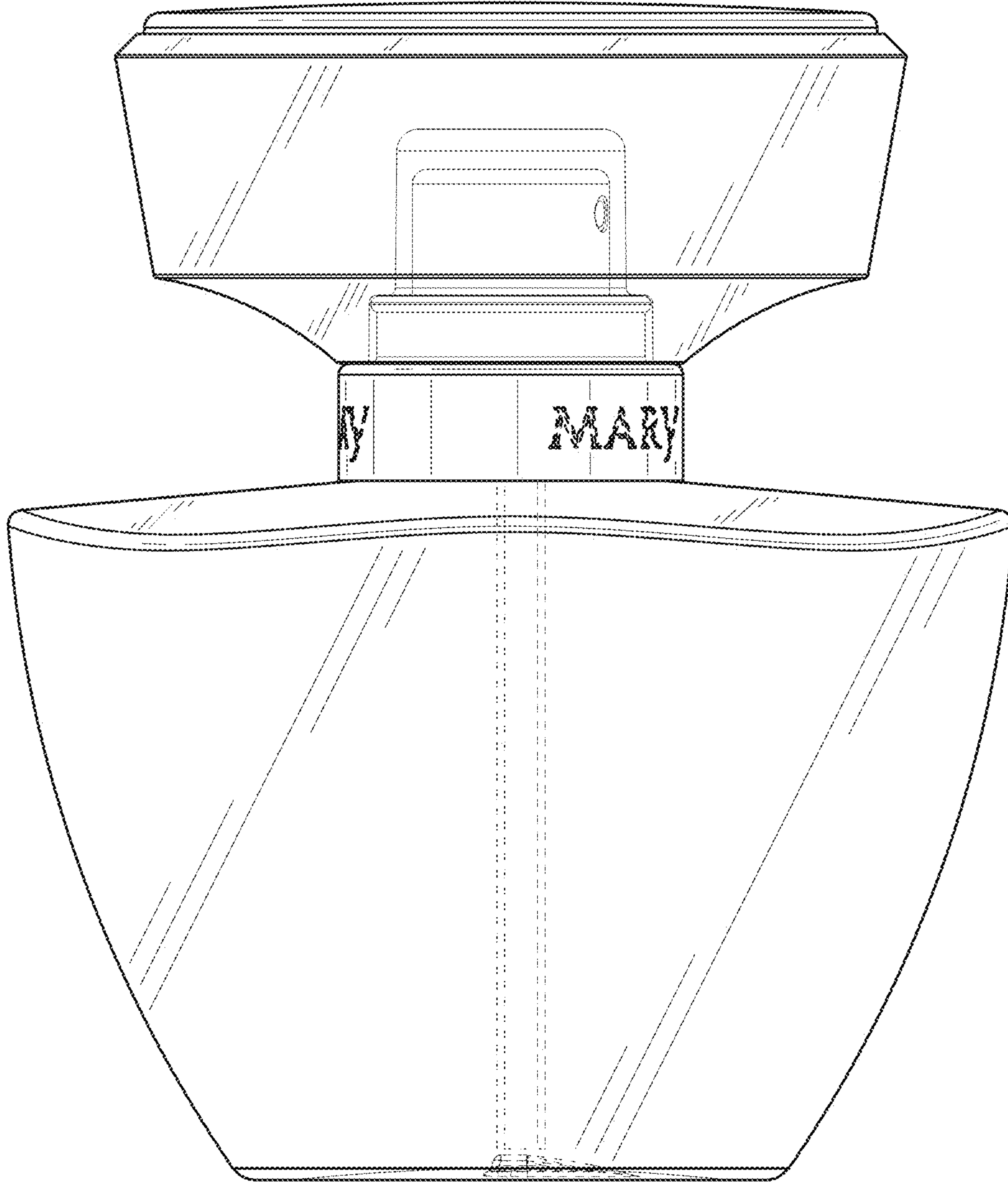


FIG. 2

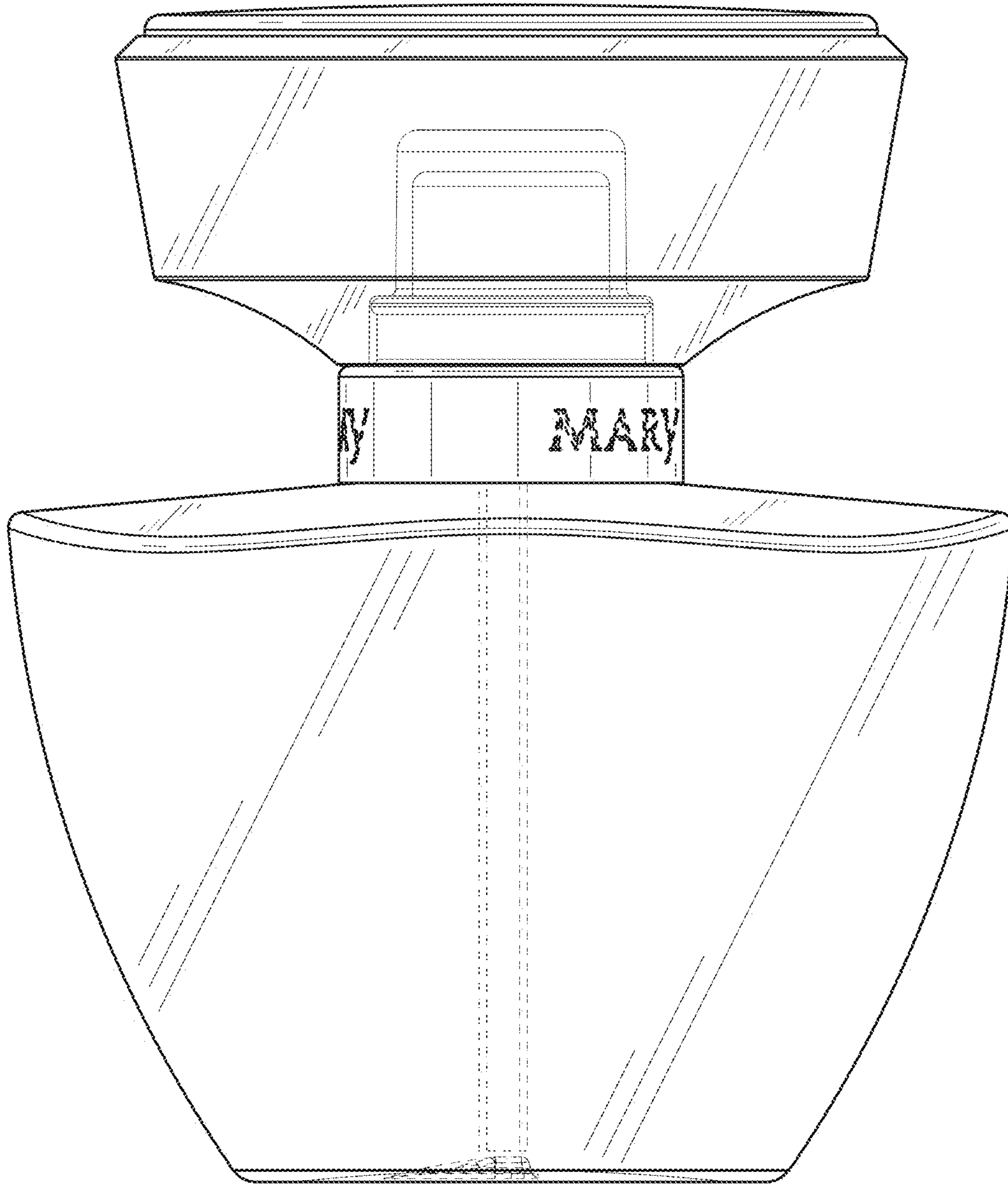


FIG. 3

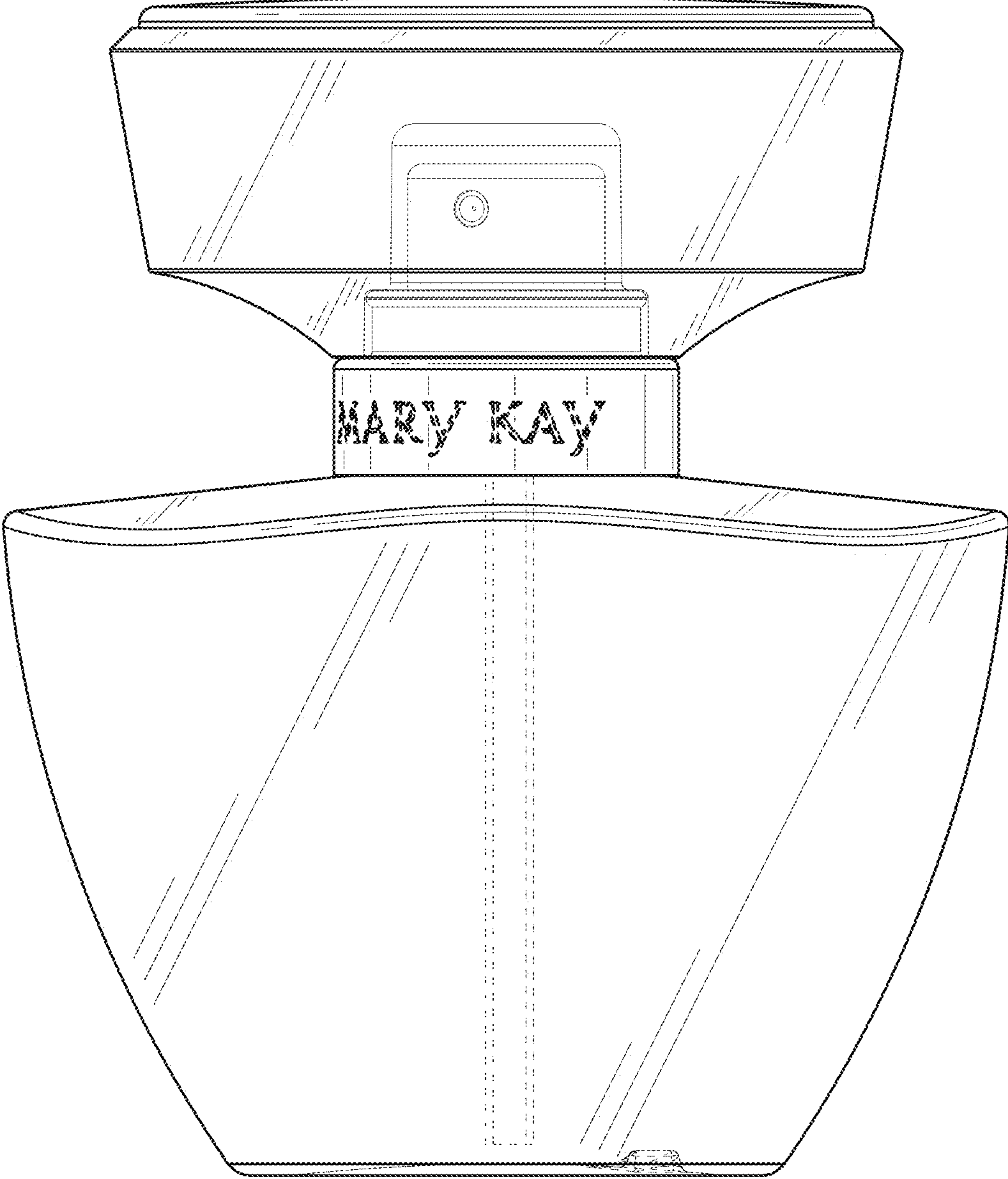


FIG. 4

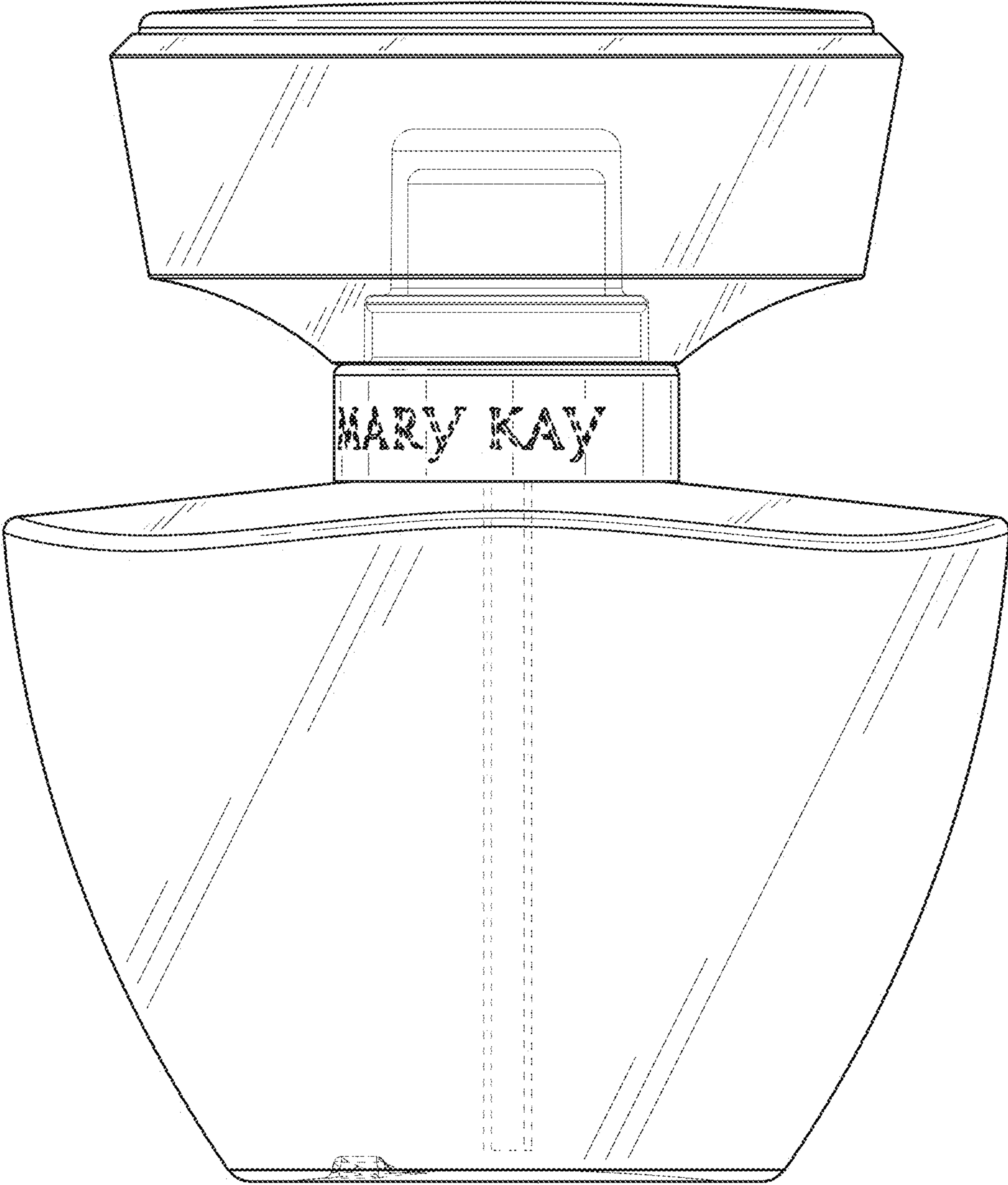


FIG. 5

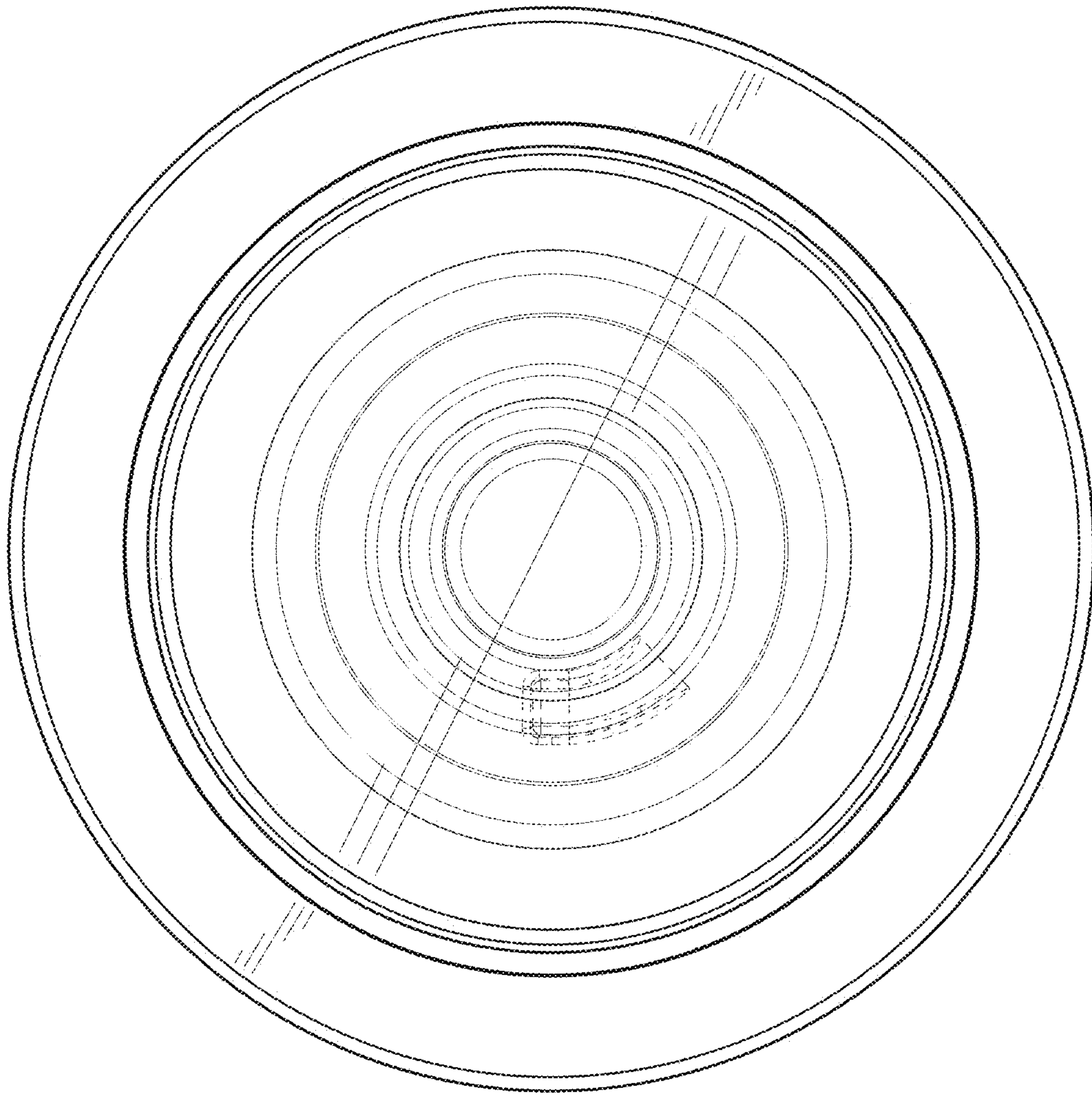


FIG. 6

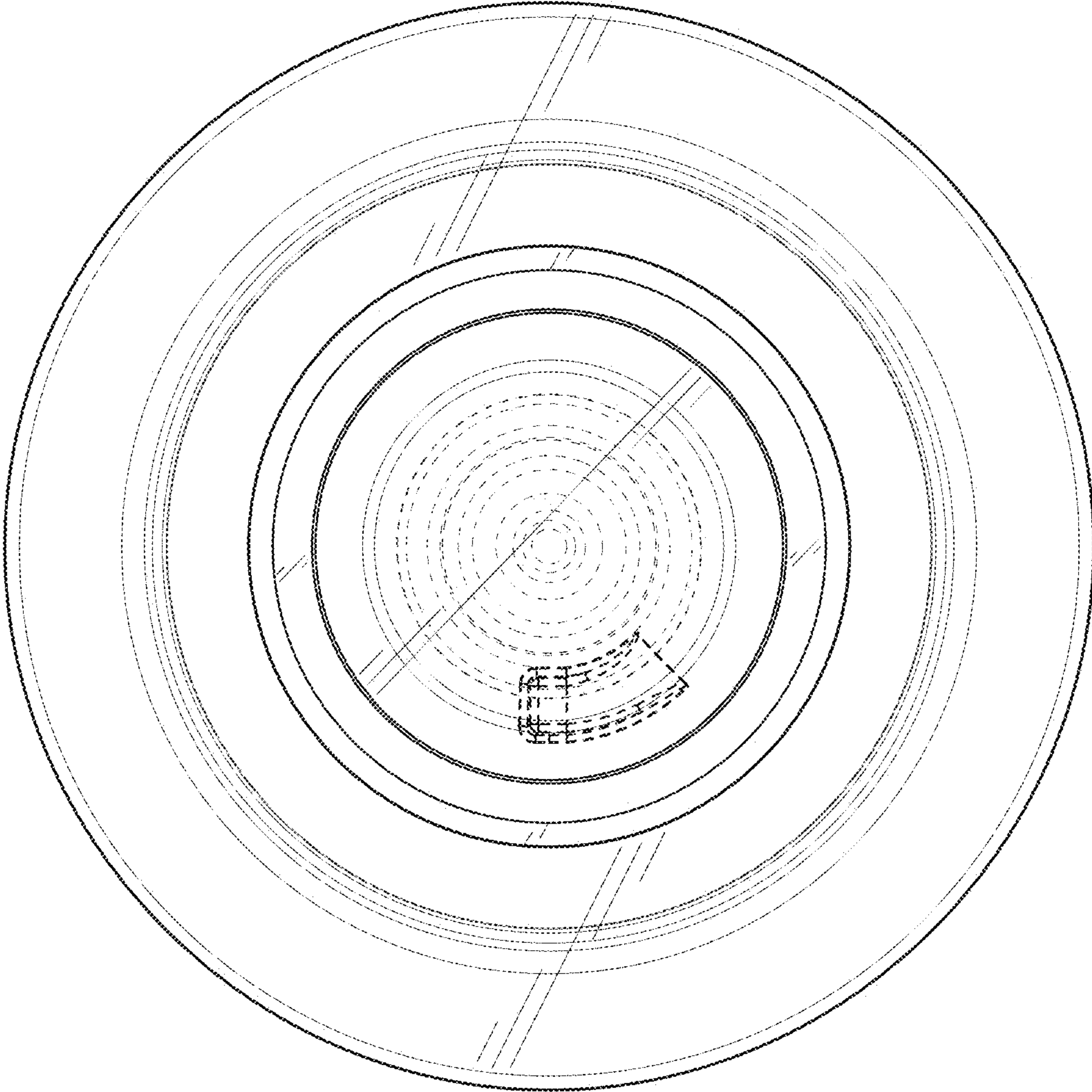


FIG. 7

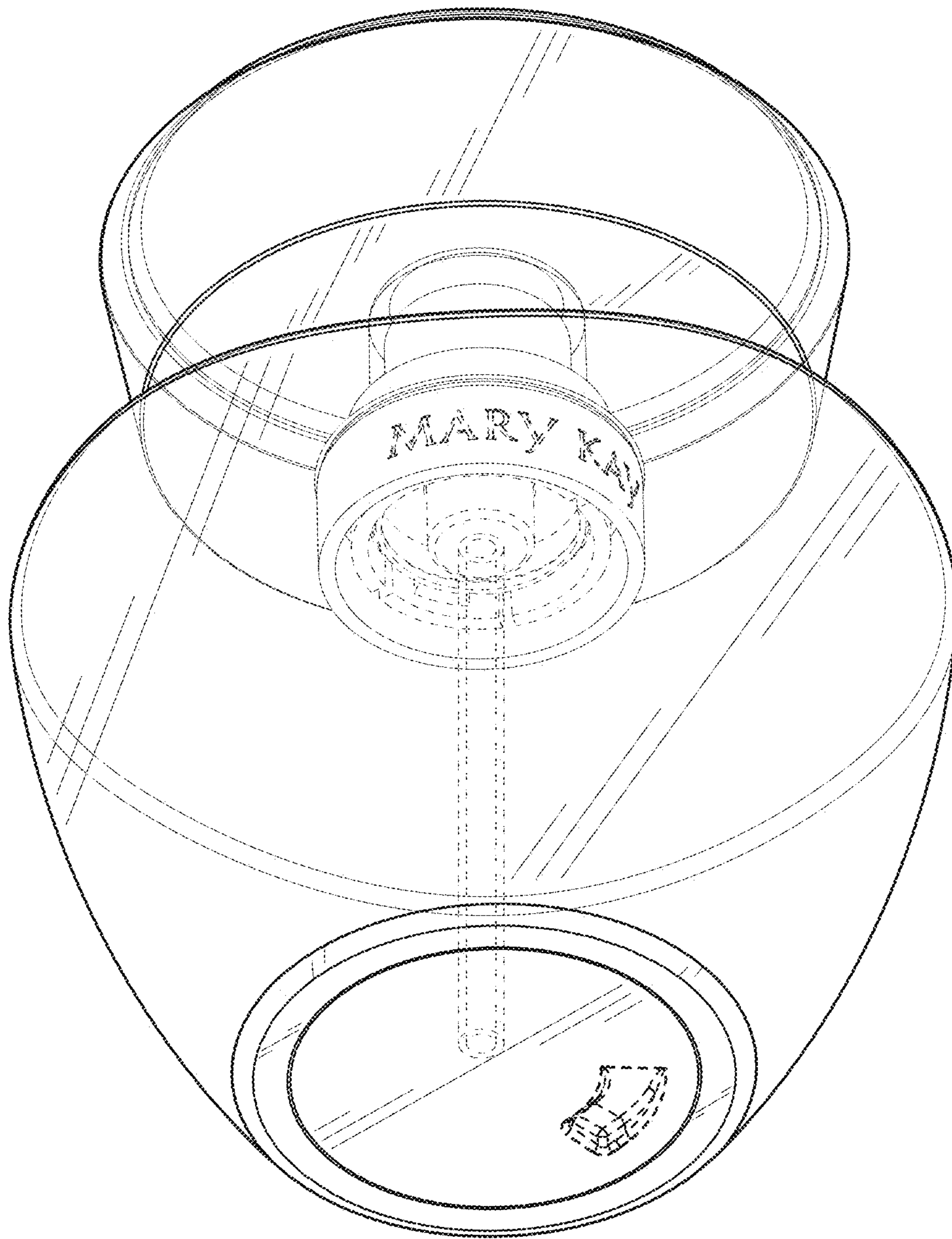


FIG. 8

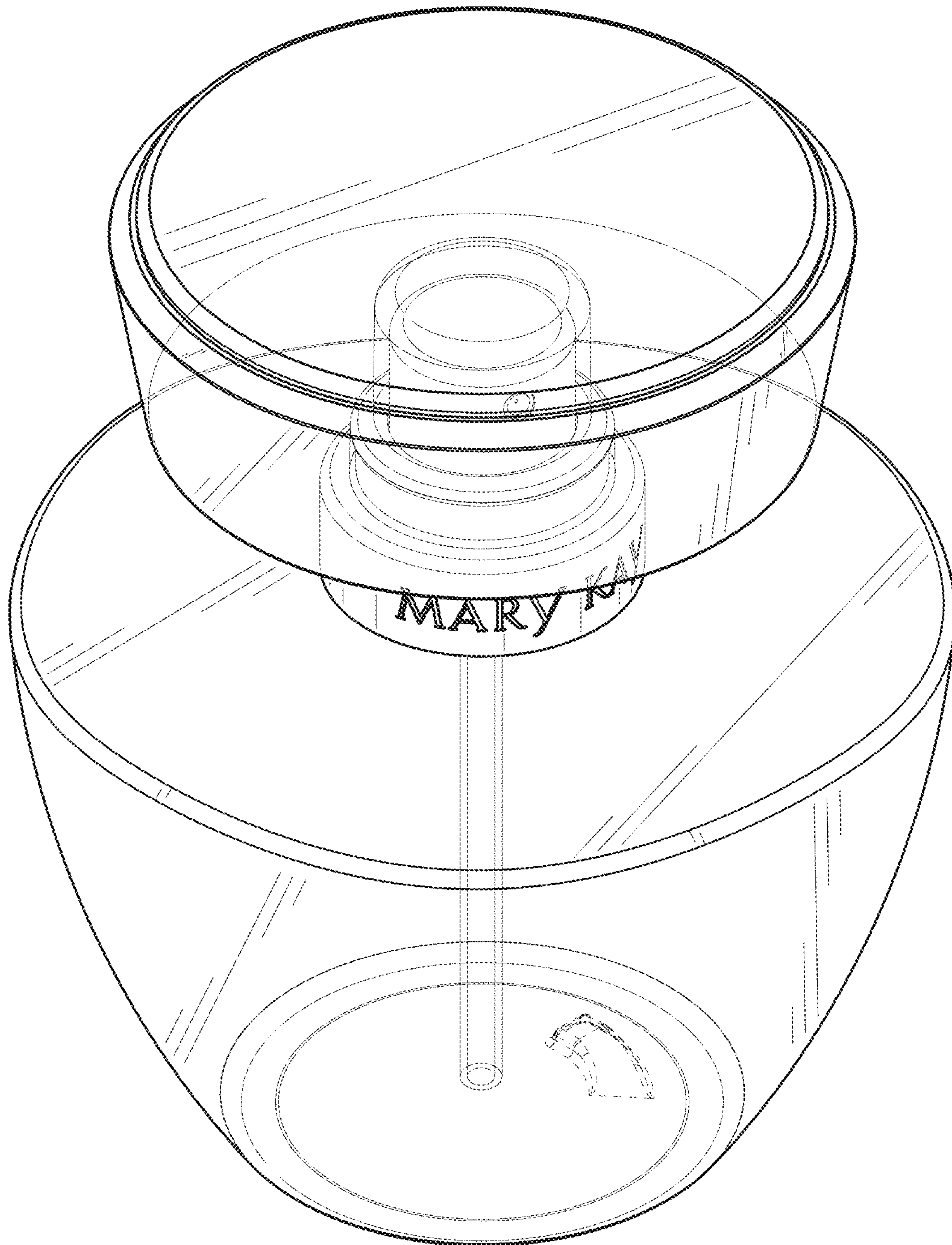


FIG. 9

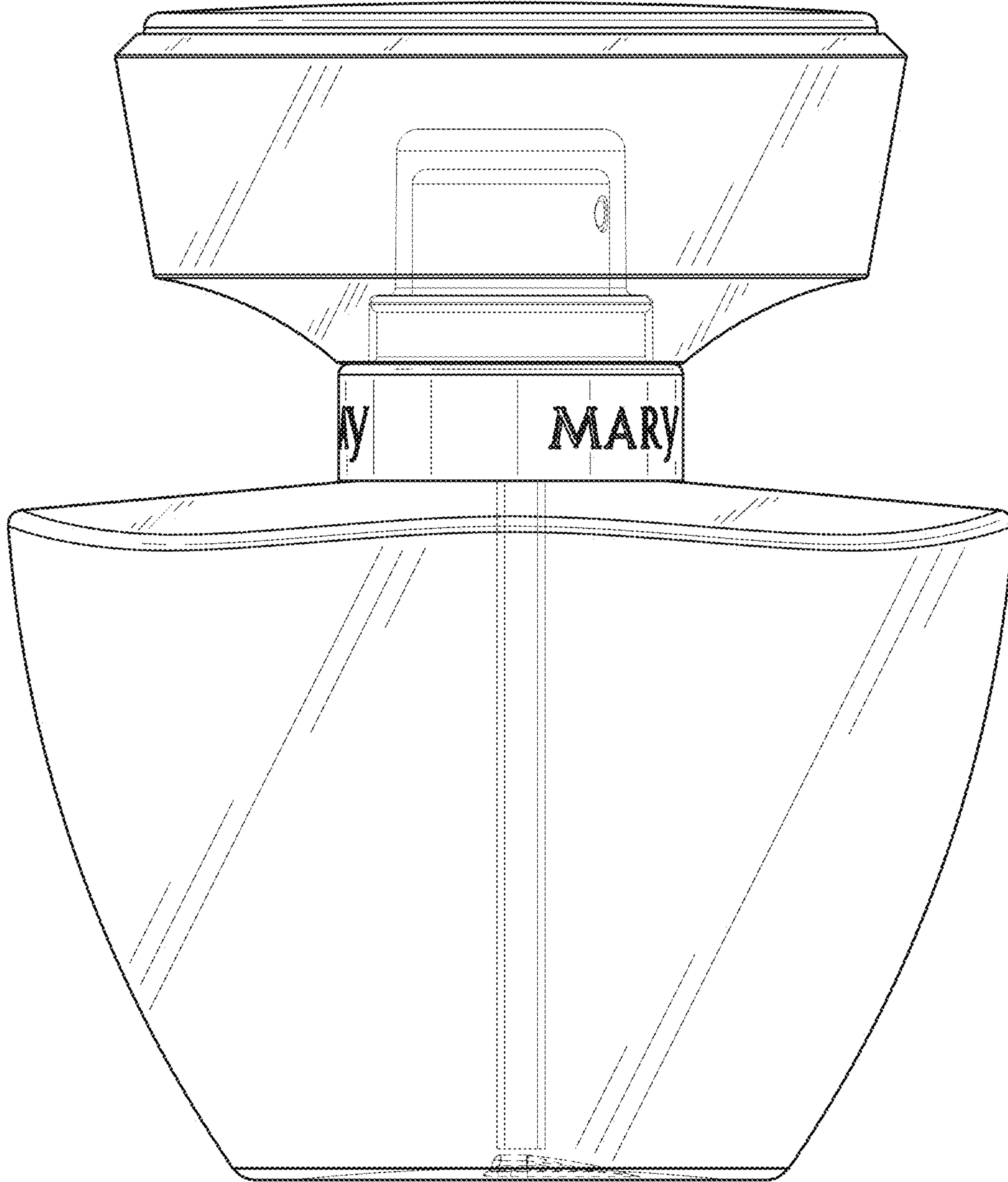


FIG. 10

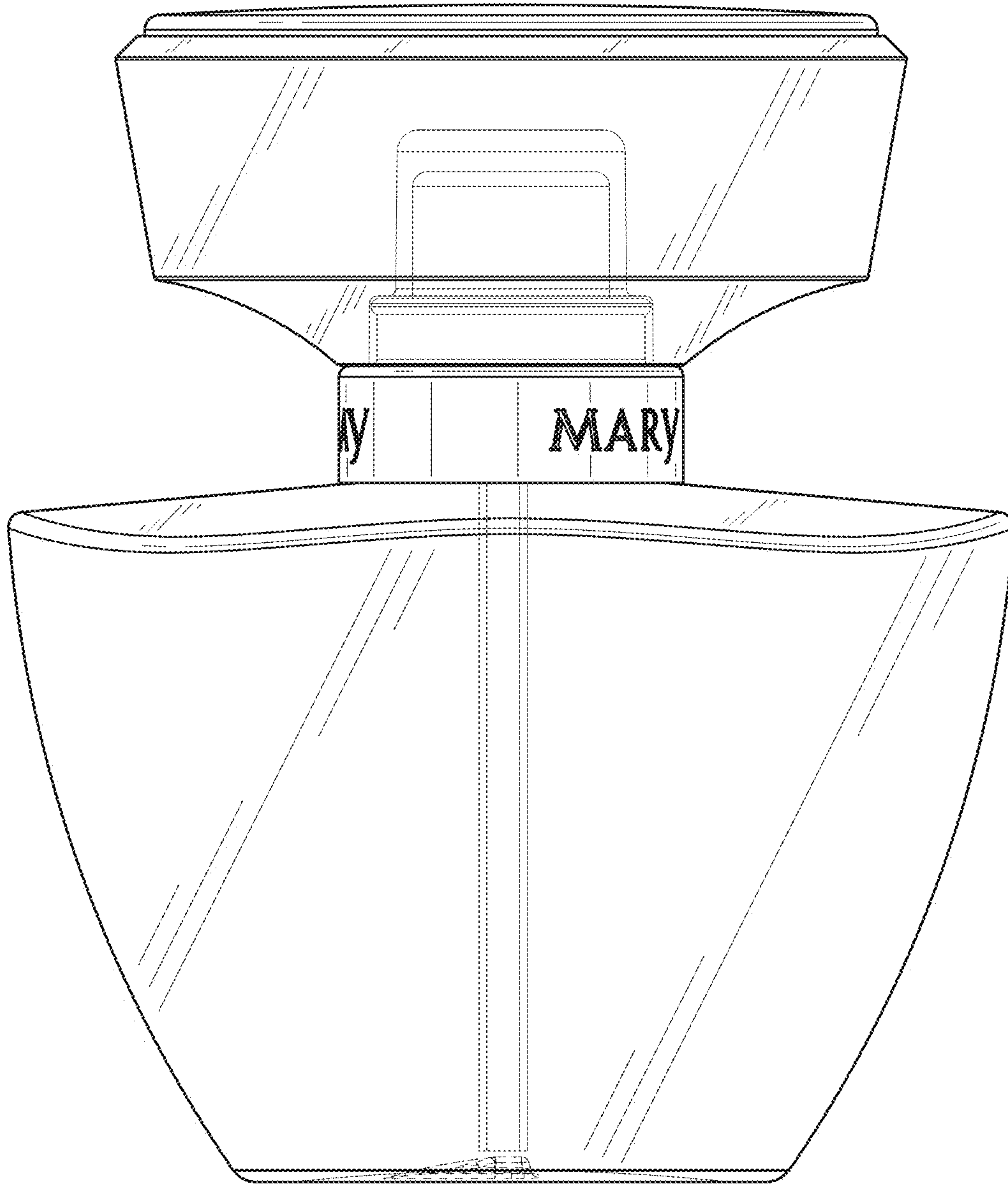


FIG. 11

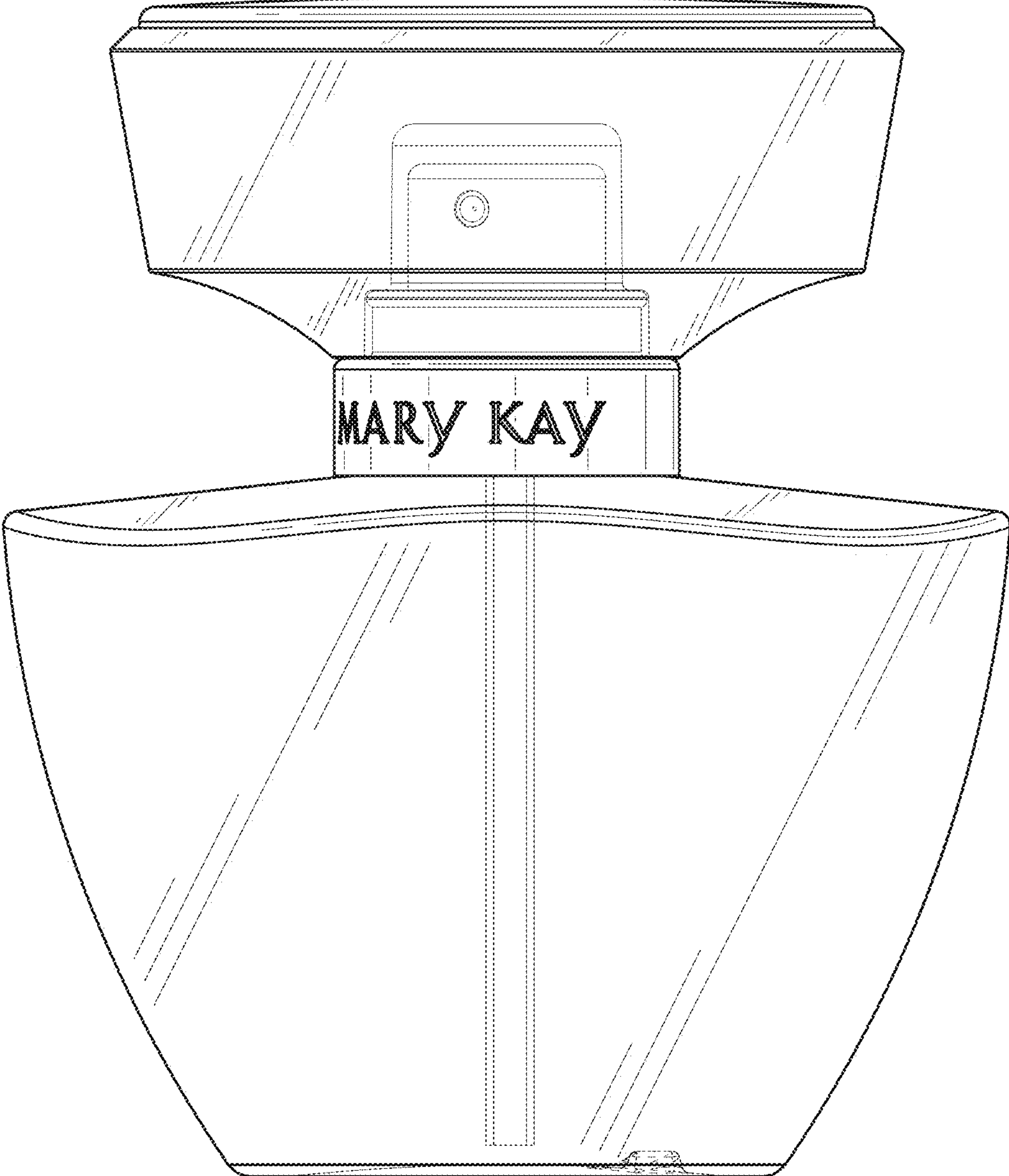


FIG. 12

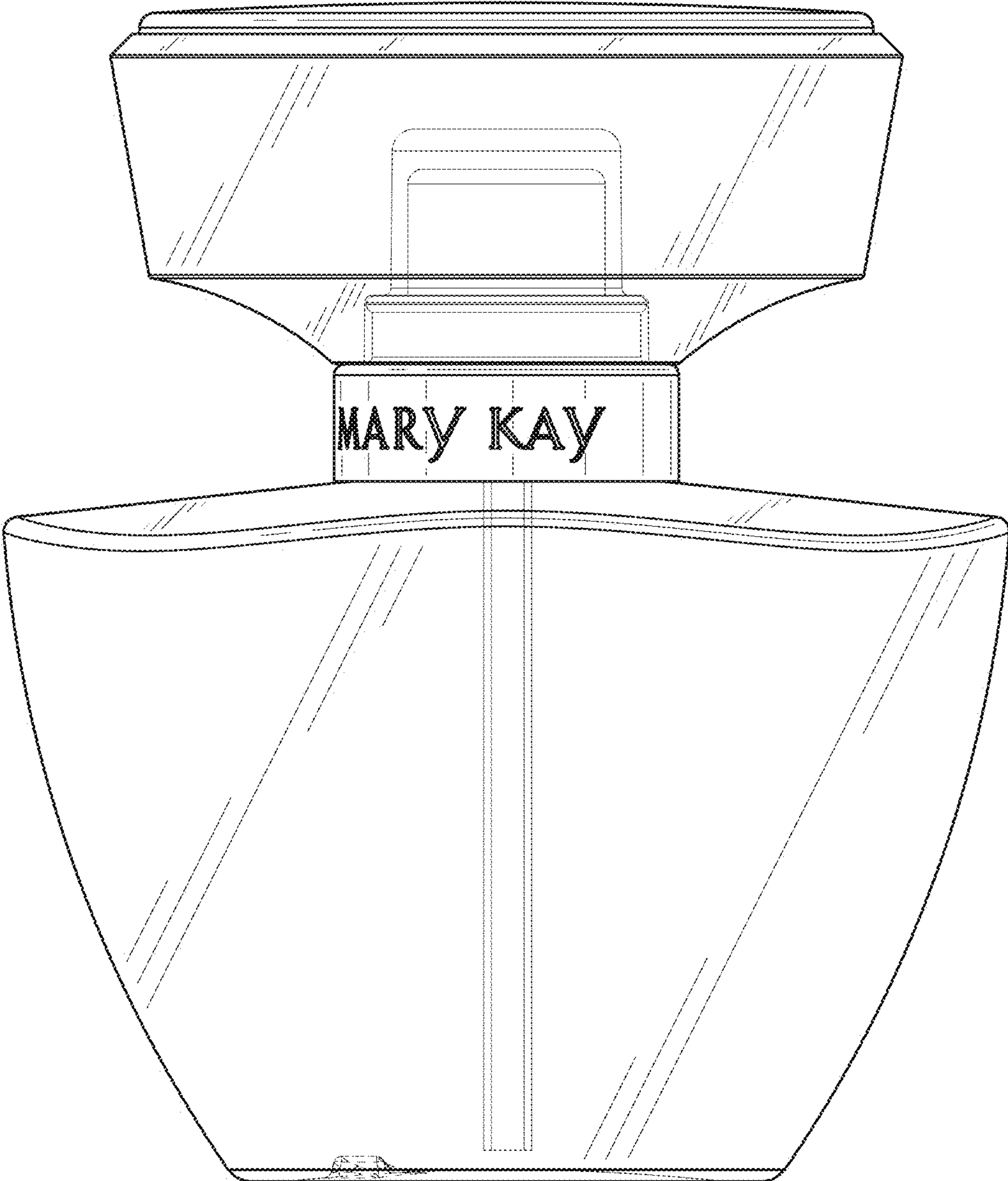


FIG. 13

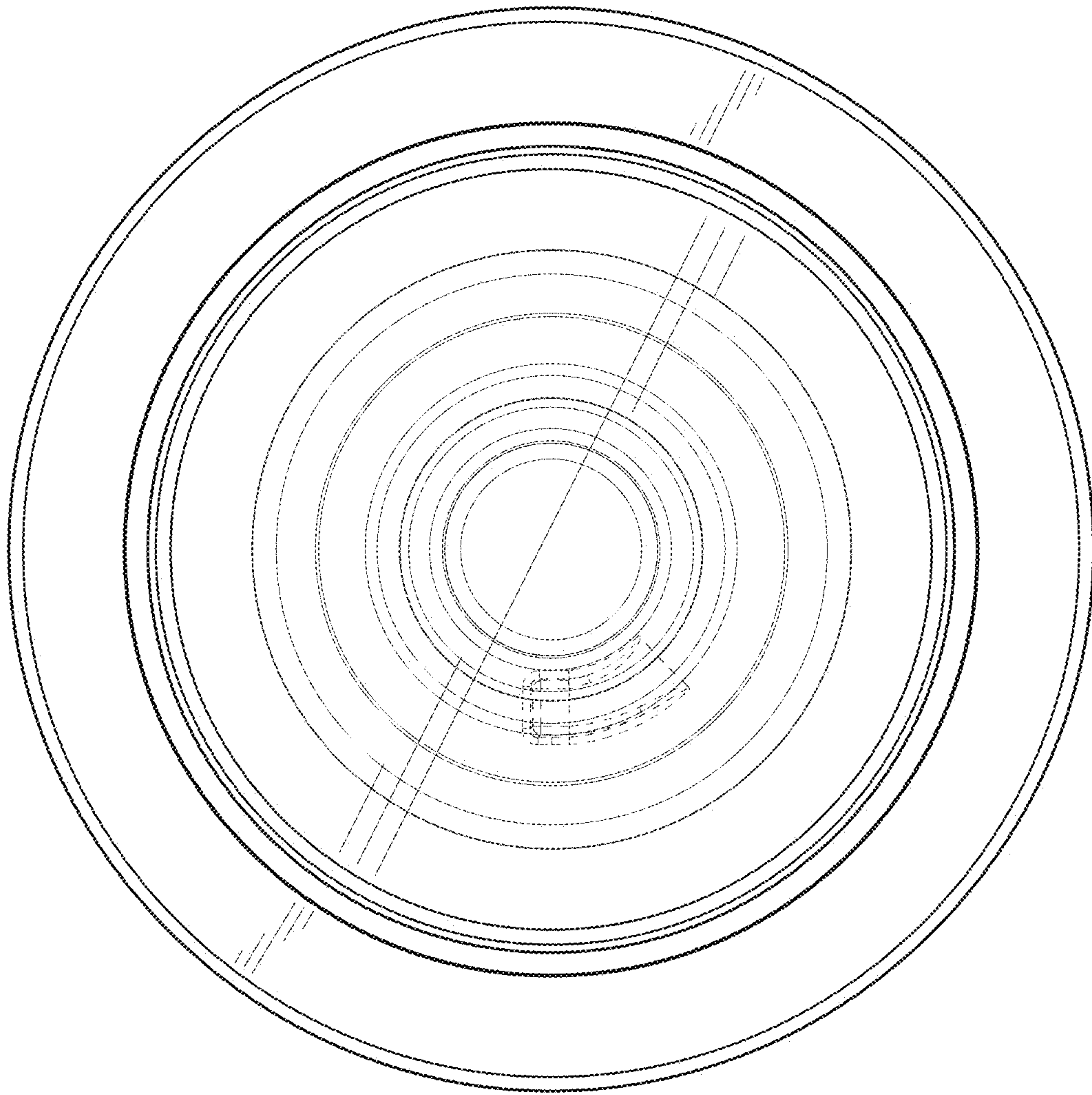


FIG. 14

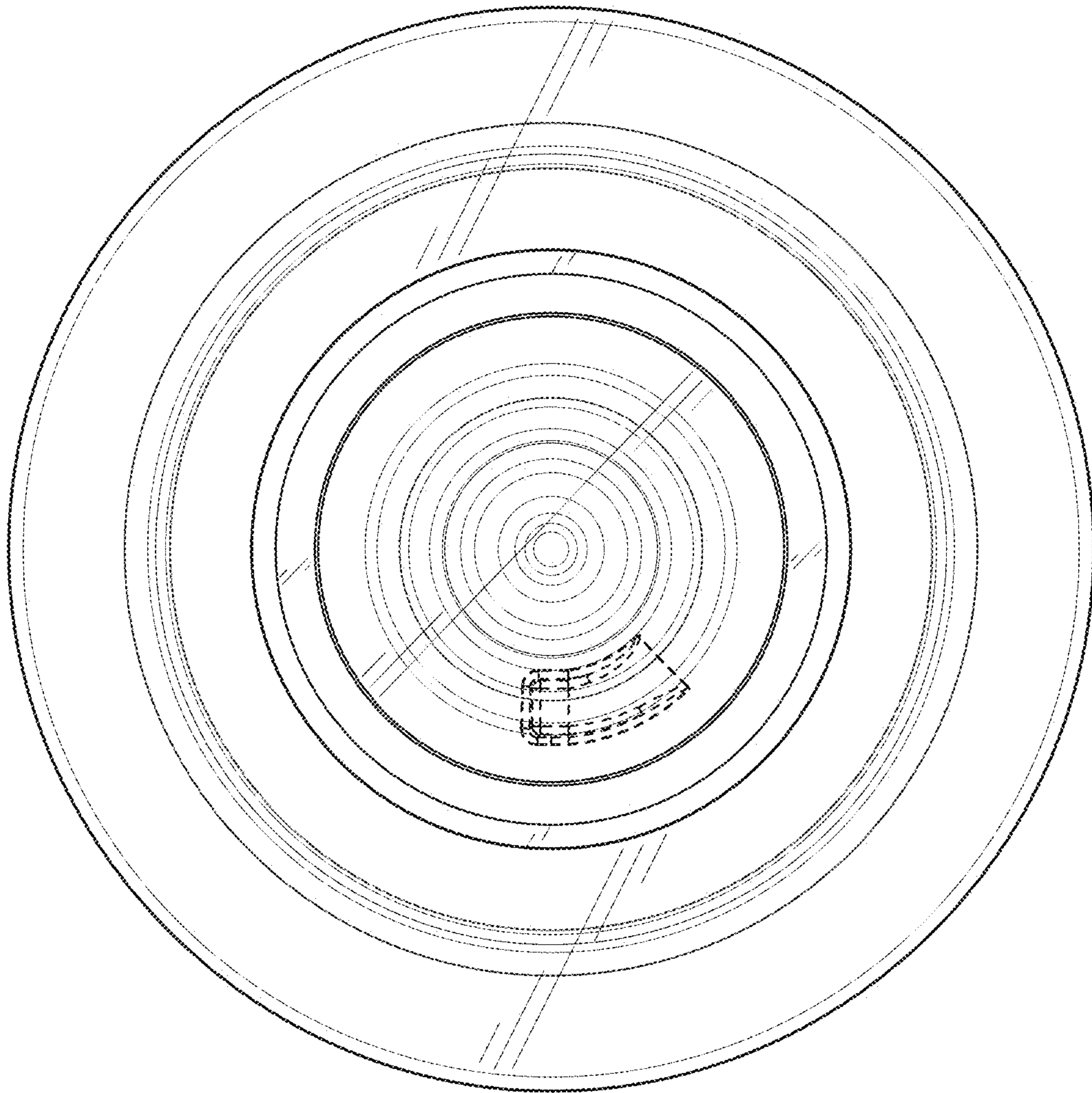


FIG. 15

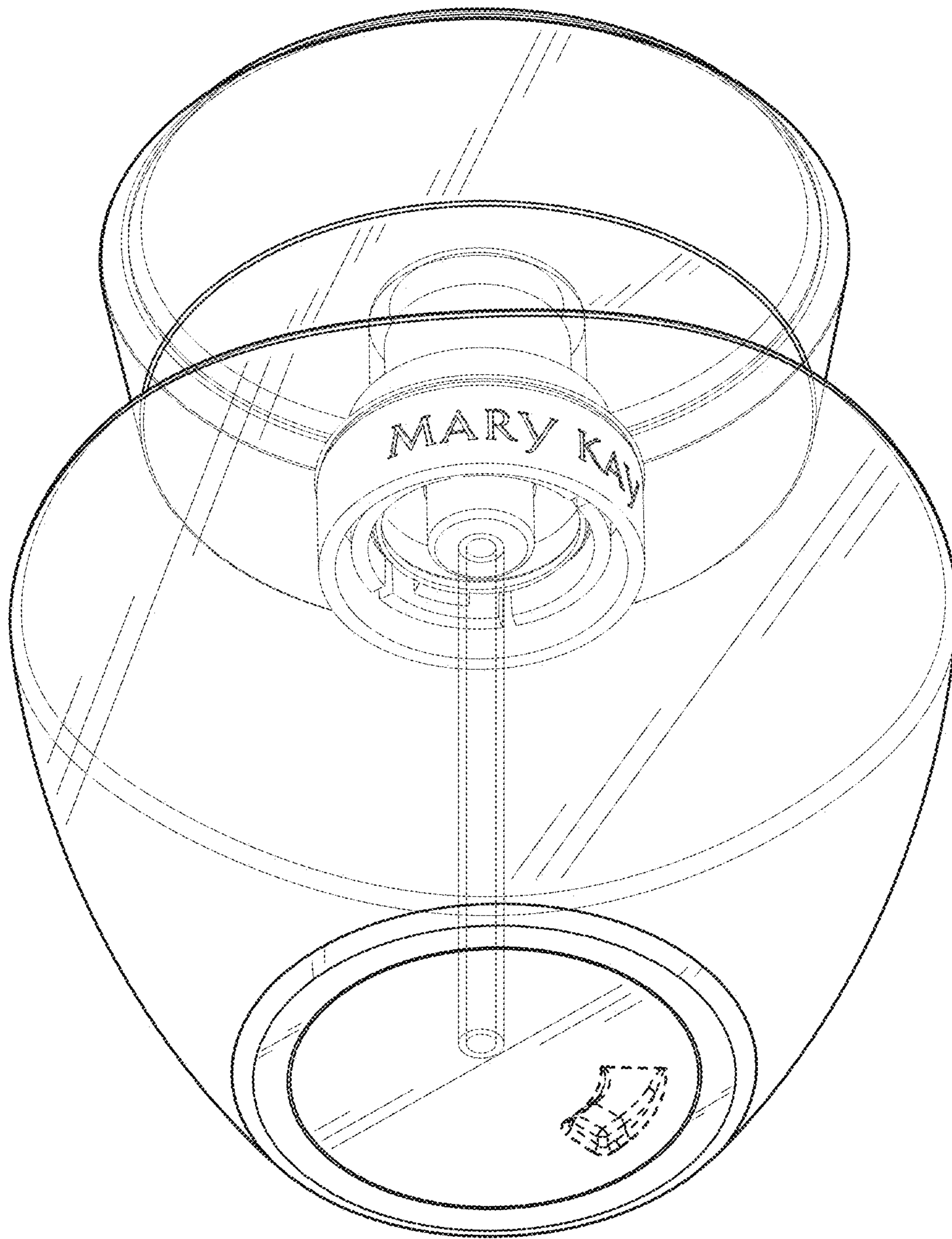


FIG. 16