



US00D959276S

(12) **United States Design Patent** (10) **Patent No.:** **US D959,276 S**
Kato (45) **Date of Patent:** **** Aug. 2, 2022**

- (54) **BOTTLE**
- (71) Applicant: **Rock 13 LLC**, Miami Beach, FL (US)
- (72) Inventor: **Thomas Kato**, Miami Beach, FL (US)
- (73) Assignee: **Rock 13 LLC**, Miami Beach, FL (US)
- (**) Term: **15 Years**
- (21) Appl. No.: **29/719,155**
- (22) Filed: **Dec. 31, 2019**
- (51) **LOC (13) Cl.** **09-01**
- (52) **U.S. Cl.**
USPC **D9/568**; D9/574
- (58) **Field of Classification Search**
USPC D9/452, 516, 544, 546, 559, 560,
D9/563-568, 574, 715, 719, 598, 526,
D9/530; D7/598, 526, 530; D28/81,
D28/91.1
CPC .. B65D 11/10; B65D 1/18; B65D 2501/0081;
B65D 11/04; B65D 1/0223; A45D 34/00;
A47K 5/12
See application file for complete search history.

(56) **References Cited**

U.S. PATENT DOCUMENTS

D304,298 S	*	10/1989	Bannister	D9/546
D322,565 S	*	12/1991	Durand	D9/573
D530,211 S	*	10/2006	Lloyd	D9/542
D544,361 S	*	6/2007	Cordes	D9/544
D582,777 S	*	12/2008	Mansau	D9/529
D694,640 S	*	12/2013	Infahsaeng	D9/559
D698,259 S	*	1/2014	Ngjelo	D9/651
D726,967 S	*	4/2015	Komai	D28/87
D747,972 S	*	1/2016	Allan	D9/682
D826,724 S	*	8/2018	Staab	D9/574

D854,936 S	*	7/2019	Sanghavi	D9/572
D856,810 S	*	8/2019	James	D9/566
D856,811 S	*	8/2019	James	D9/566
D856,812 S	*	8/2019	James	D9/566
D863,968 S	*	10/2019	Miloserdova	D9/546
D867,154 S	*	11/2019	Sanghavi	D9/560
D885,924 S	*	6/2020	Sanghavi	D9/559
D896,658 S	*	9/2020	James	D9/566
2011/0266248 A1	*	11/2011	Popiel	B65D 1/0223 215/316

* cited by examiner

Primary Examiner — Catherine S Posthauer

(74) *Attorney, Agent, or Firm* — The Dobrusin Law Firm, PC

(57) **CLAIM**

The ornamental design for a bottle, as shown and described.

DESCRIPTION

FIG. 1 is a perspective view of a bottle showing my new design;

FIG. 2 is a rear elevation view thereof;

FIG. 3 is a side elevation view thereof, the opposing side being a mirror image;

FIG. 4 is a top plan view of the cap removed from the bottle thereof;

FIG. 5 is a bottom plan view of the bottle shown in FIG. 1; and,

FIG. 6 is a top plan view thereof.

The broken lines in the drawings showing the bottle illustrate the portions of the bottle that form no part of the claimed design.

The dot-dash lines represent the boundaries of the claim and form no part thereof.

1 Claim, 4 Drawing Sheets

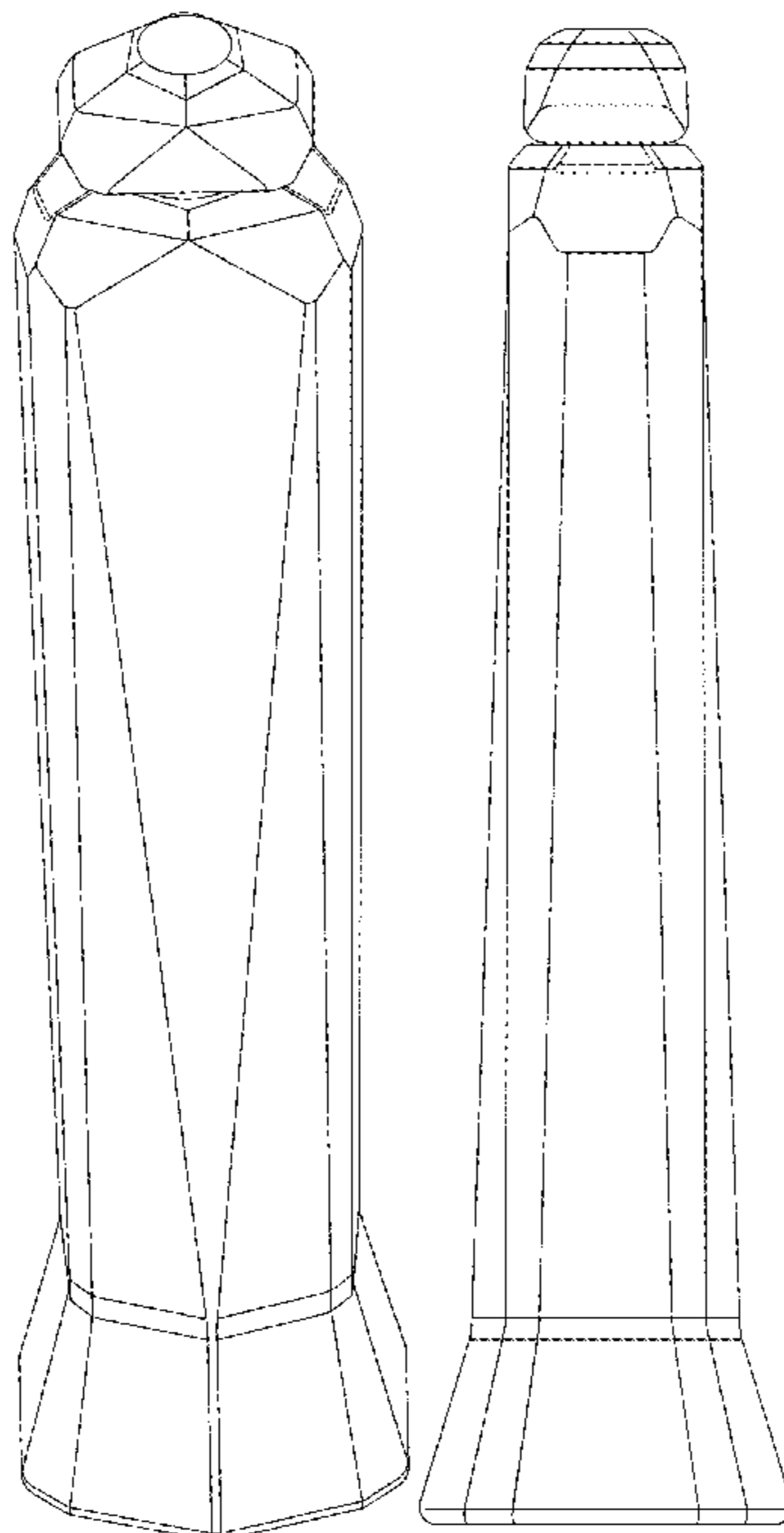


FIG. 1

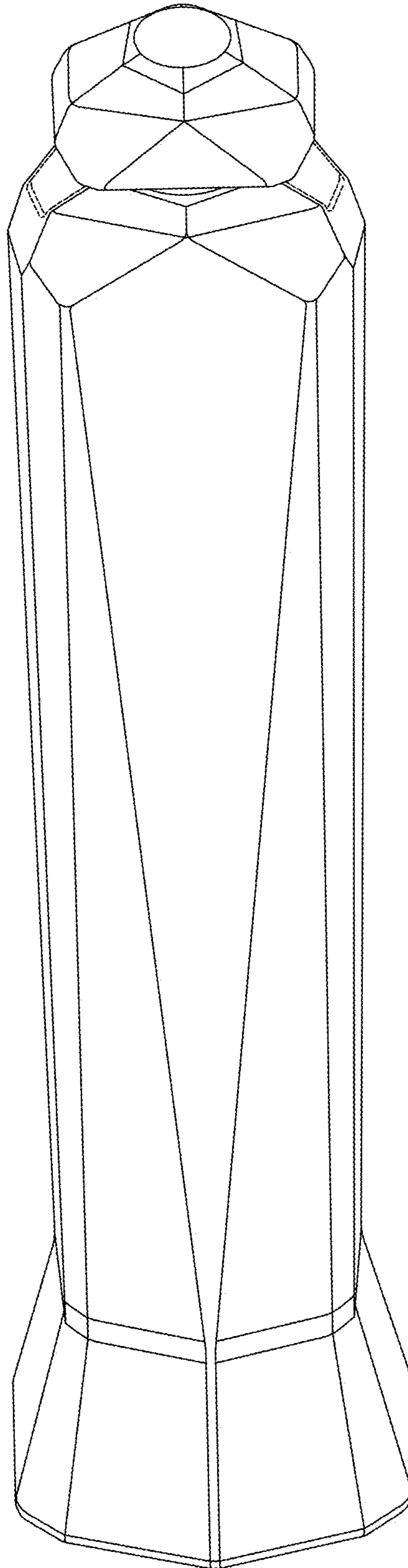


FIG.2

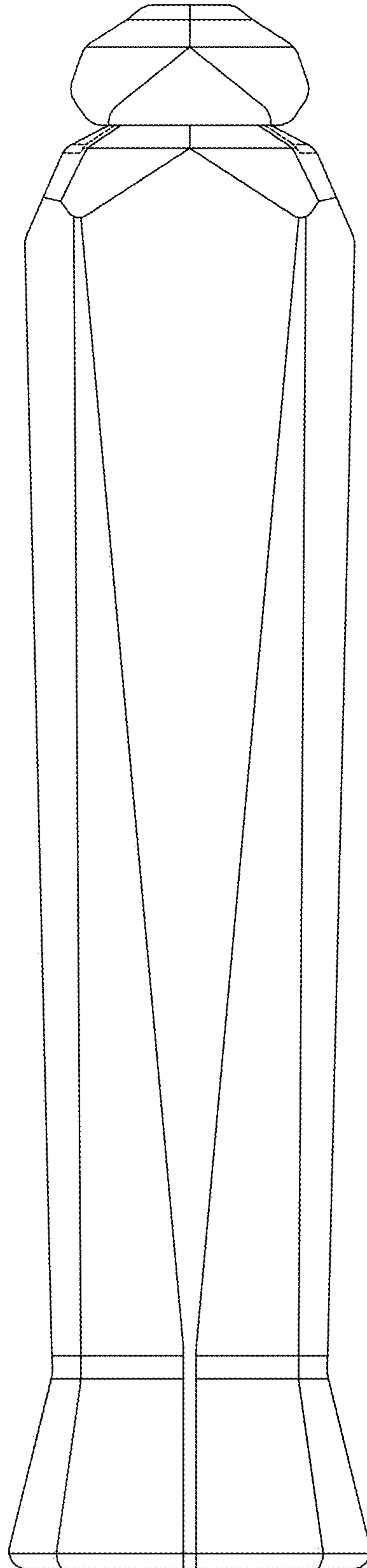
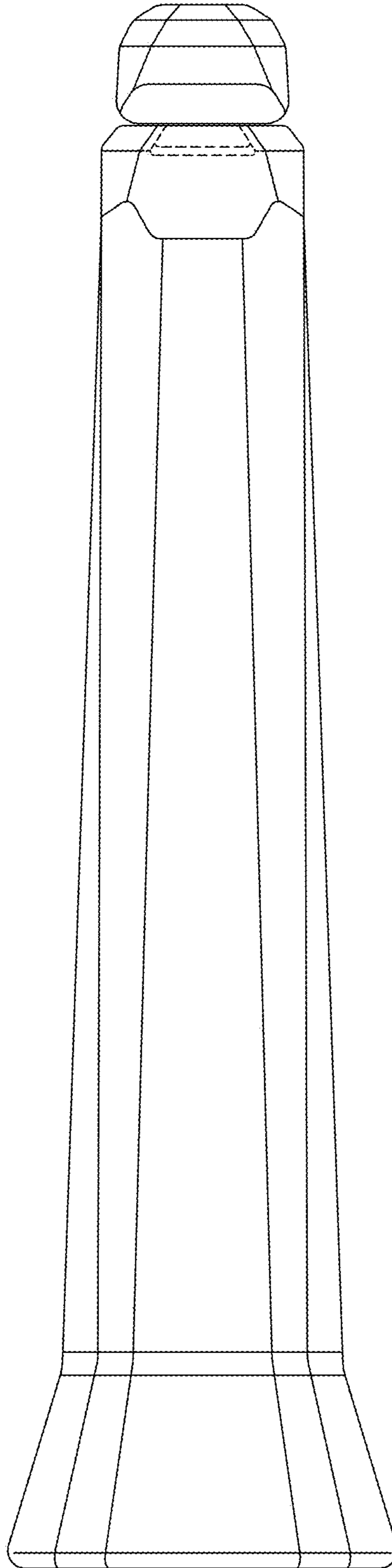


FIG.3



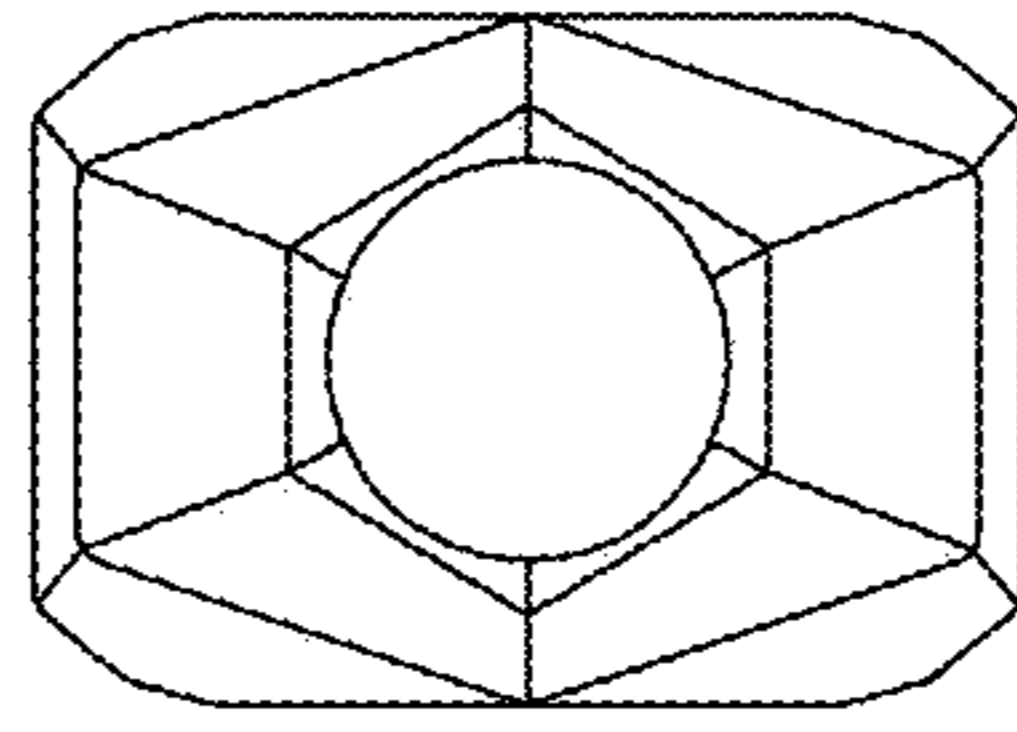


FIG. 4

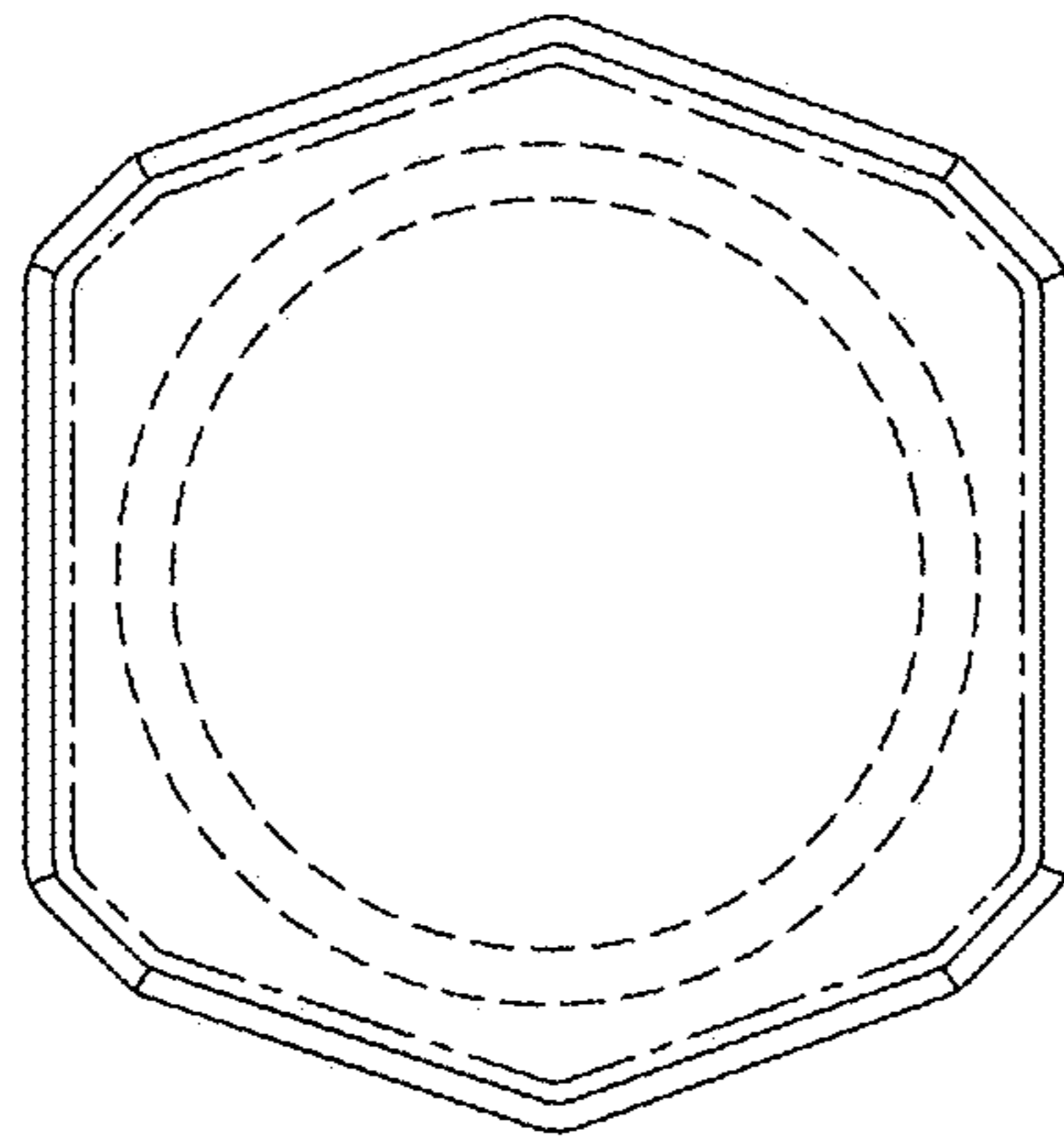


FIG. 5

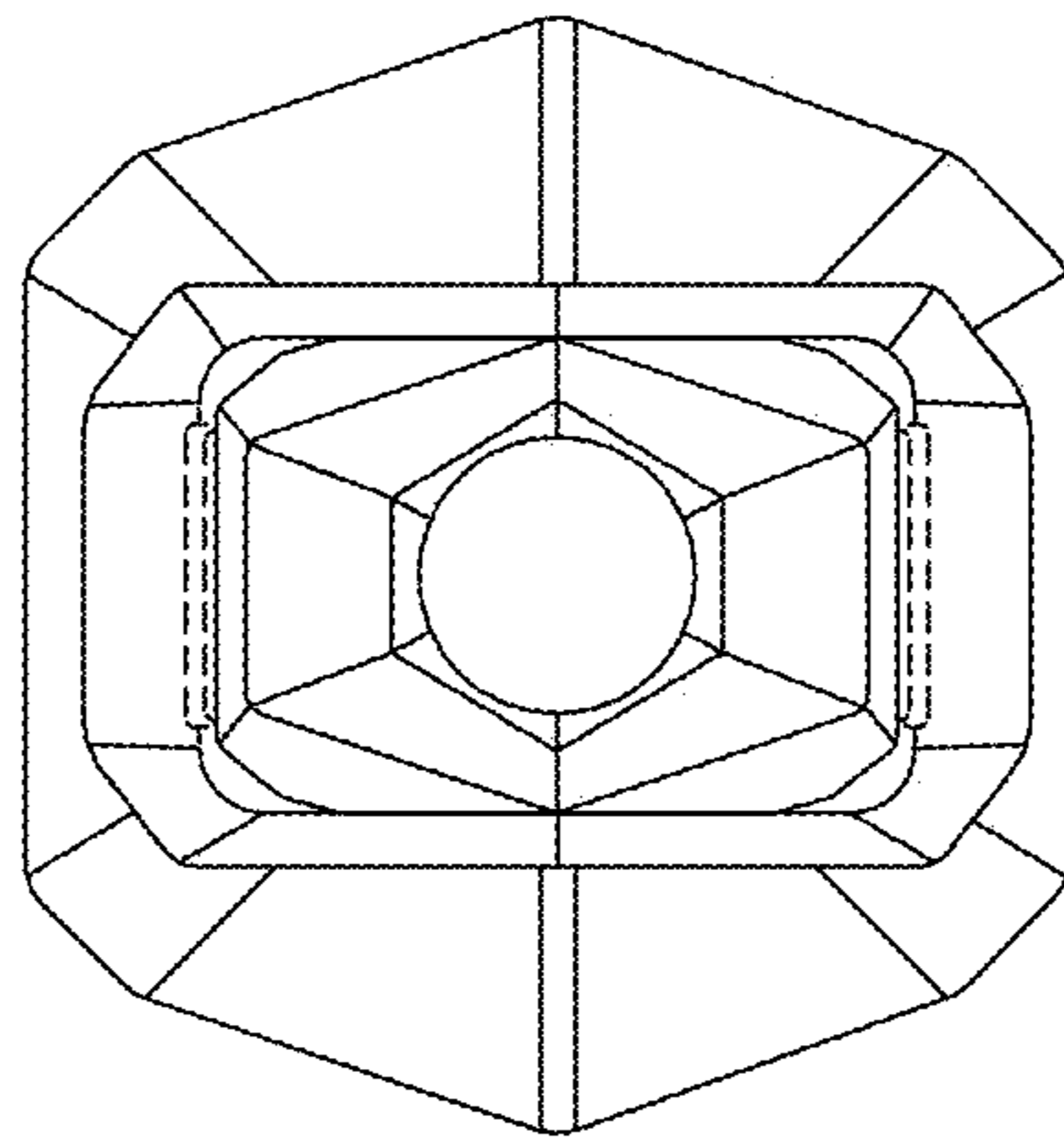


FIG. 6