



US00D959275S

(12) **United States Design Patent** (10) **Patent No.:** **US D959,275 S**  
**Goldin et al.** (45) **Date of Patent:** **\*\* Aug. 2, 2022**

(54) **BOTTLE**  
(71) Applicant: **Hint, Inc.**, San Francisco, CA (US)  
(72) Inventors: **Theo Goldin**, Ross, CA (US); **Henry Castillo**, Montrose, CA (US); **Taylor Severn**, Sherman Oaks, CA (US)  
(73) Assignee: **Hint, Inc.**, San Francisco, CA (US)  
(\*\*) Term: **15 Years**

D790,279 S \* 6/2017 Izen ..... D9/554  
D811,230 S \* 2/2018 Jovanovic ..... D9/551  
D818,368 S \* 5/2018 Hanan ..... D9/558  
D856,809 S \* 8/2019 Gruda ..... D9/558  
D875,531 S \* 2/2020 Hall ..... D9/520  
D900,618 S \* 11/2020 Chen ..... D9/570  
D904,890 S \* 12/2020 Da Barp ..... D9/557  
D907,508 S \* 1/2021 Mandell ..... D9/557  
D917,293 S \* 4/2021 Chen ..... D9/557  
D917,969 S \* 5/2021 Eyal ..... D7/511  
D926,579 S \* 8/2021 Sanders ..... D9/500  
D927,305 S \* 8/2021 Chupak ..... D9/500

(Continued)

(21) Appl. No.: **29/759,796**  
(22) Filed: **Nov. 25, 2020**  
(51) **LOC (13) Cl.** ..... **09-01**  
(52) **U.S. Cl.**  
USPC ..... **D9/557**  
(58) **Field of Classification Search**  
USPC ..... D9/434-435, 439, 447, 449, 450, 452,  
D9/454, 516, 520, 522-524, 528-531,  
D9/541-544, 549-551, 558-560, 563,  
D9/565-566, 571-575, 682, 686, 687,  
D9/693-694, 715, 719, 557; D7/300,  
D7/300.1, 316, 317, 598; D23/211, 225;  
D24/107, 121-123, 216, 217, 219,  
D24/223-227  
CPC ... B65D 1/00; B65D 1/02; B65D 1/12; B65D  
1/18; B65D 1/20; B65D 1/0223; B65D  
23/00; B65D 21/0237; B65D 2501/0009;  
B65D 2501/0081  
See application file for complete search history.

FOREIGN PATENT DOCUMENTS

CN 201830515884.3 \* 3/2019

OTHER PUBLICATIONS

Blue 2L Plastic Water Bottle, Capacity: 2 L. Online, published date unknown. Retrieved on Apr. 18, 2022 from URL: <https://www.indiamart.com/proddetail/2l-plastic-water-bottle-18358469697.html>.\*

*Primary Examiner* — Omeed Agilee  
(74) *Attorney, Agent, or Firm* — Fox Rothschild LLP

(57) **CLAIM**

The ornamental design for a bottle, as shown and described.

**DESCRIPTION**

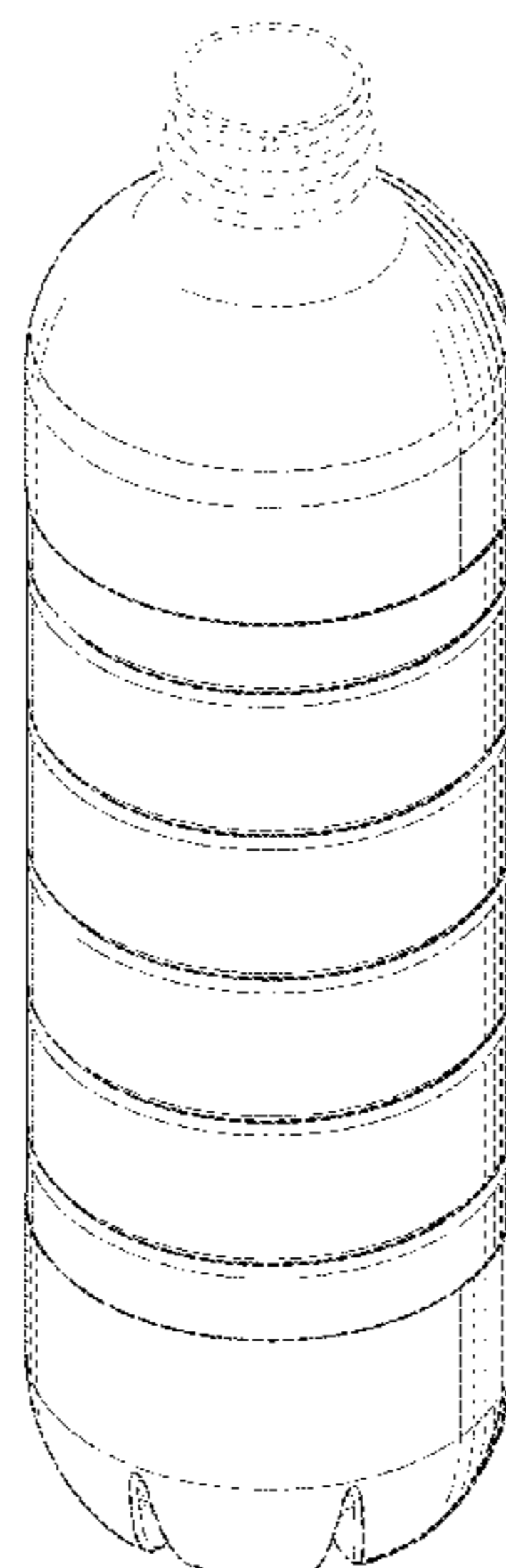
FIG. 1 is a perspective view of a bottle, showing the new design;  
FIG. 2 is a front view thereof;  
FIG. 3 is a rear view thereof;  
FIG. 4 is a left view thereof;  
FIG. 5 is a right view thereof;  
FIG. 6 is a top view thereof; and,  
FIG. 7 is a bottom view thereof.  
The broken lines in the drawings depict portions of the bottle that form no part of the claimed design.

**1 Claim, 4 Drawing Sheets**

(56) **References Cited**

U.S. PATENT DOCUMENTS

D337,526 S \* 7/1993 Teo ..... D9/557  
D351,341 S \* 10/1994 Hung ..... D9/557  
D414,700 S \* 10/1999 Zogg ..... D9/557  
D517,918 S \* 3/2006 Colloud ..... D9/502  
D554,996 S \* 11/2007 Laupie ..... D9/557  
D641,244 S \* 7/2011 Bysick ..... D9/557  
D646,980 S \* 10/2011 Inoi ..... D9/558



(56)

**References Cited**

U.S. PATENT DOCUMENTS

D932,897 S \* 10/2021 Moyal ..... D9/557  
2020/0316446 A1 \* 10/2020 Marino ..... B65D 1/0223

\* cited by examiner

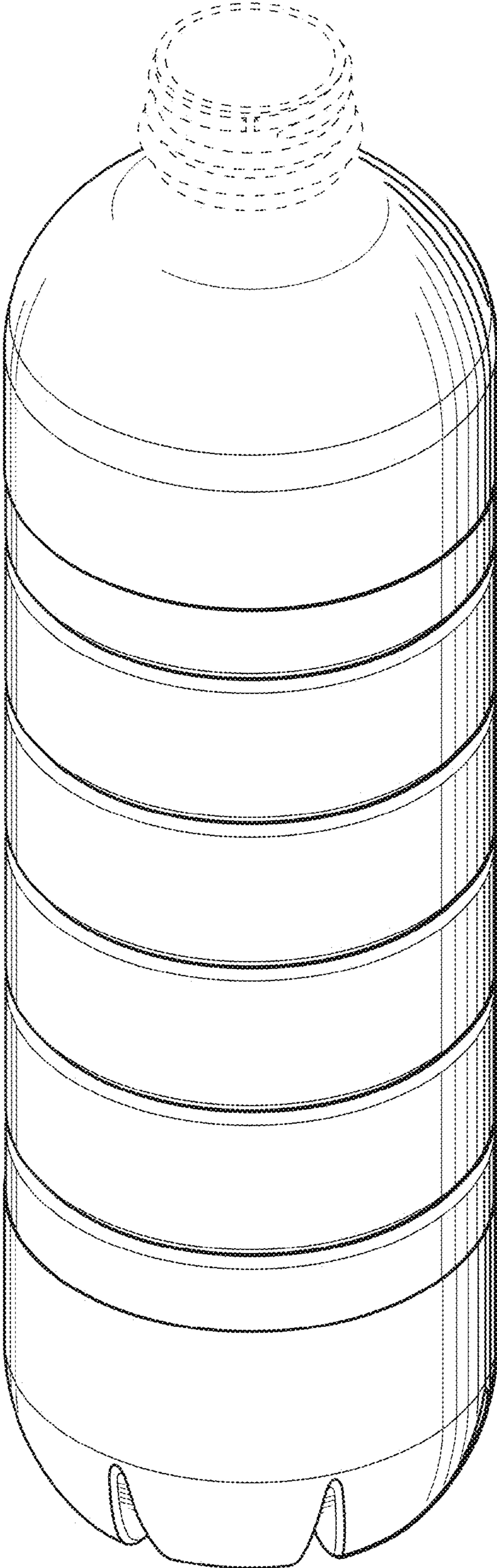


FIG. 1

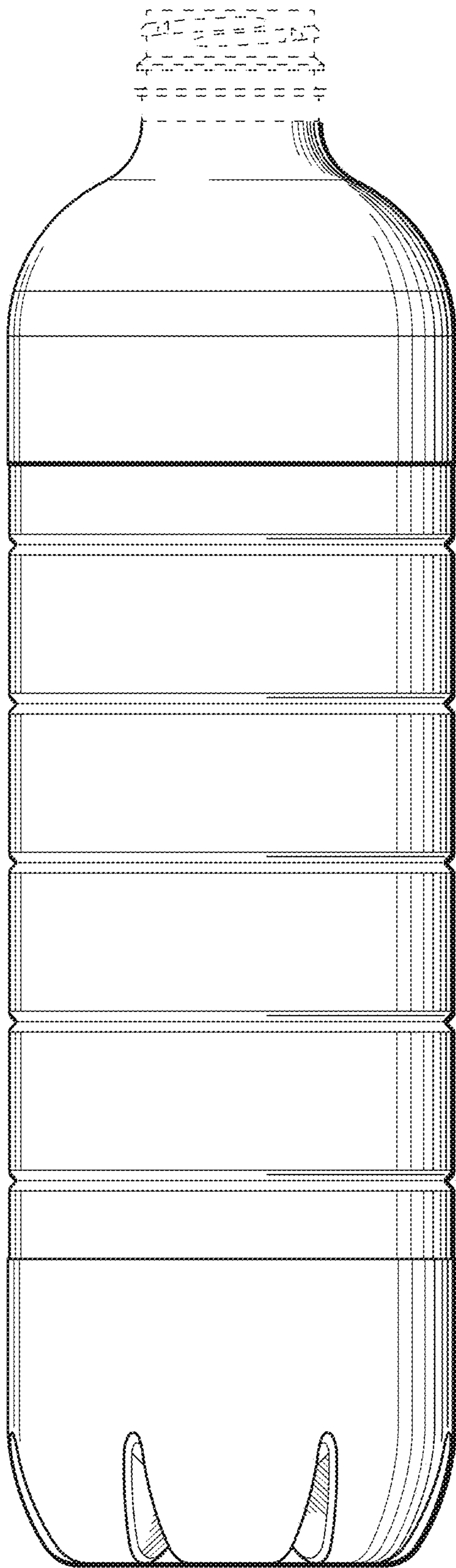


FIG. 2

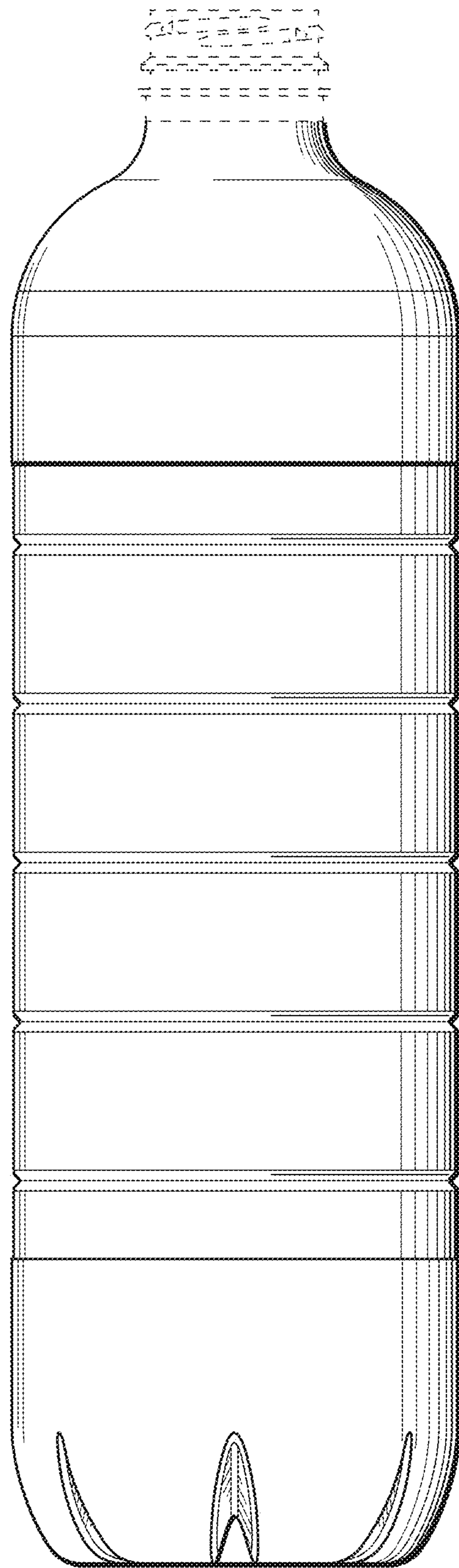


FIG. 3

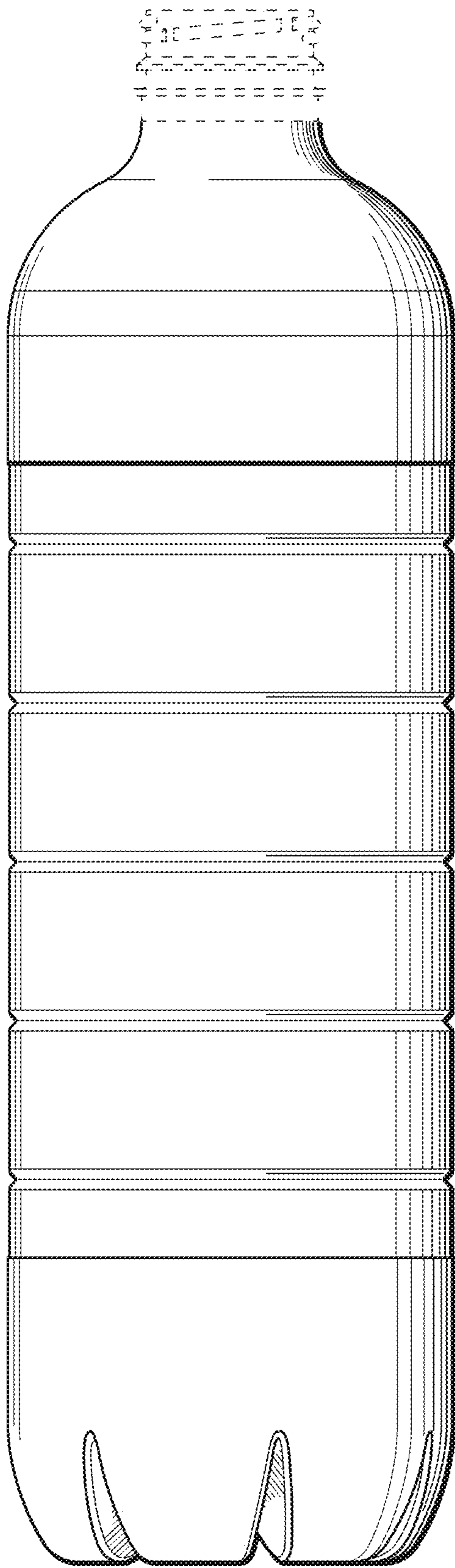


FIG. 4

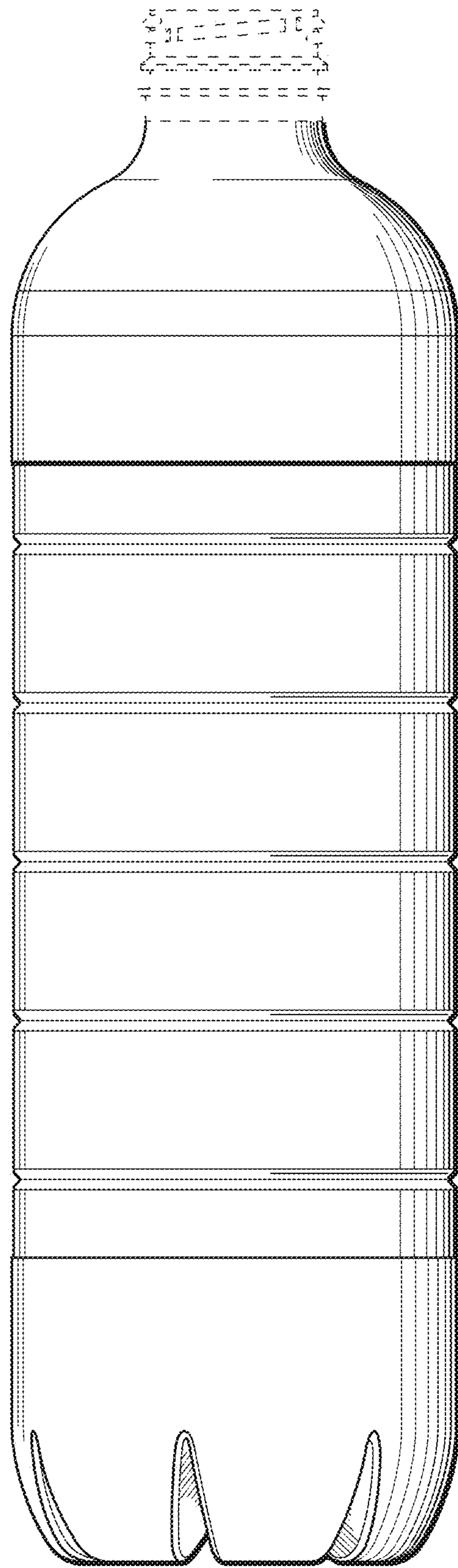
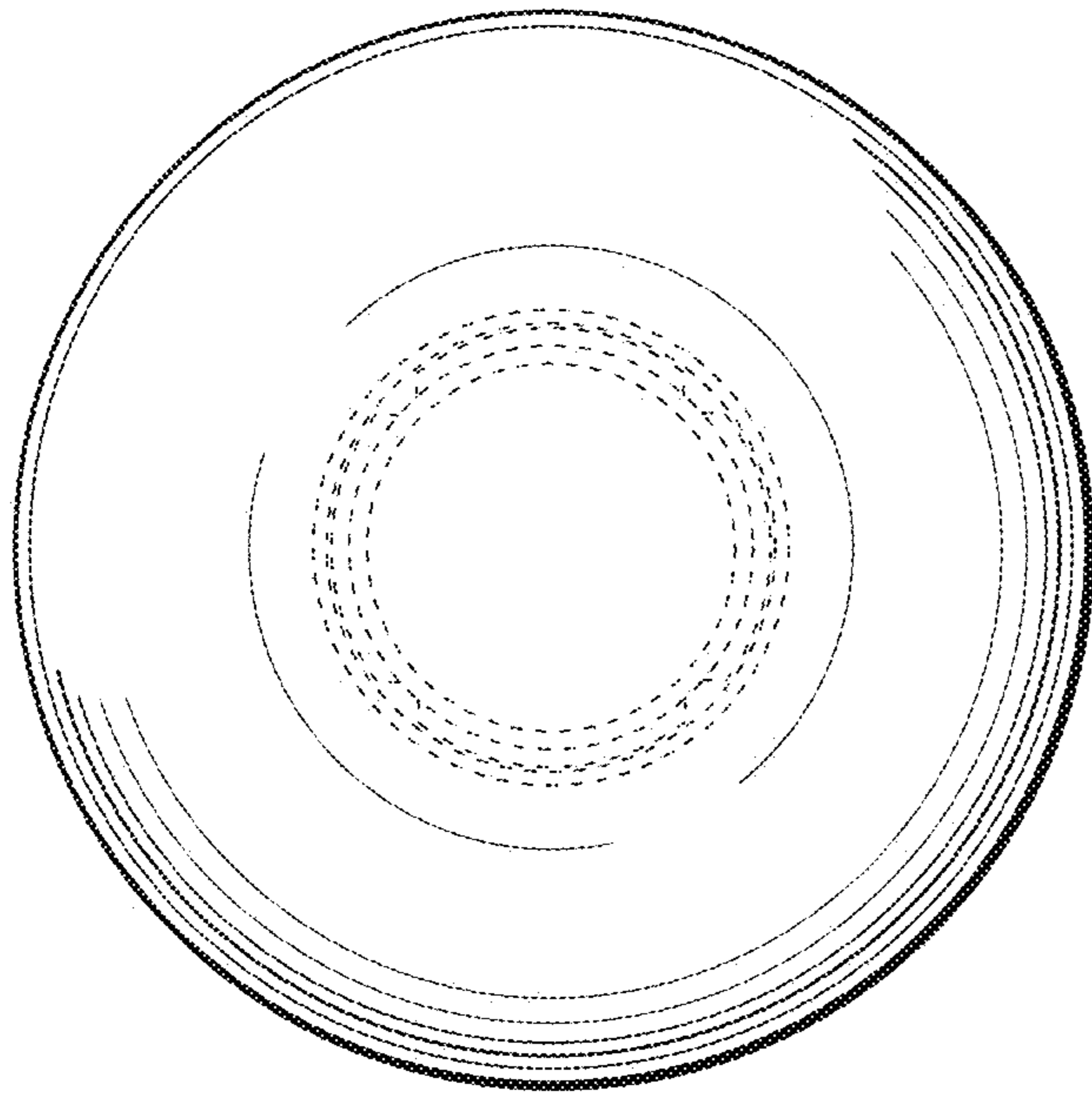
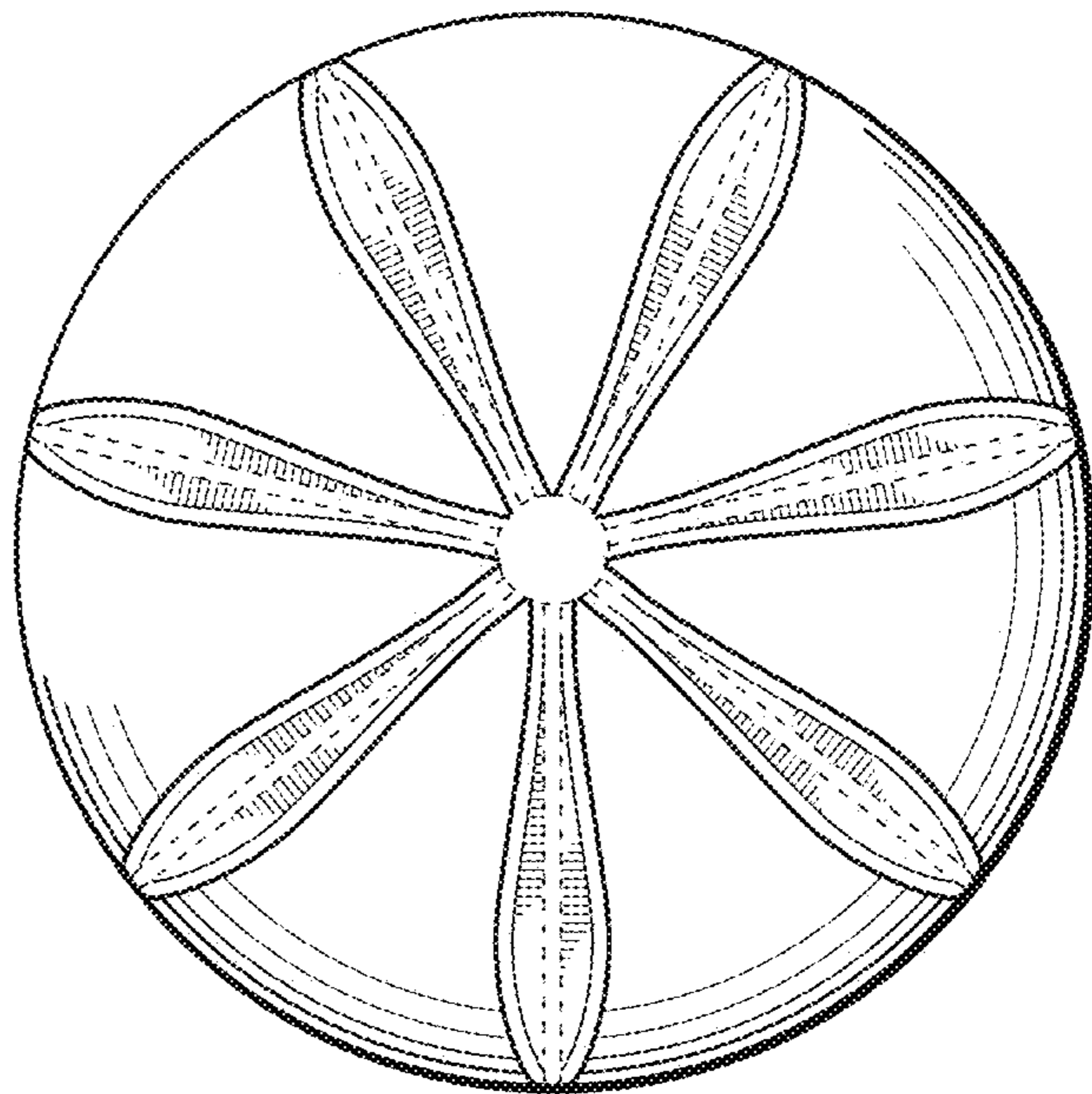


FIG. 5



*FIG. 6*



*FIG. 7*