



US00D959270S

(12) **United States Design Patent** (10) **Patent No.:** **US D959,270 S**
Lee (45) **Date of Patent:** **** Aug. 2, 2022**

(54) **PACKAGING TRAY FOR CERAMIC SUBSTRATE**

(71) Applicant: **AMOGREENTECH CO., LTD.**,
Gyeonggi-do (KR)

(72) Inventor: **Ji-Hyung Lee**, Gyeonggi-do (KR)

(73) Assignee: **AMOGREENTECH CO., LTD.**,
Gyeonggi-do (KR)

(**) Term: **15 Years**

(21) Appl. No.: **29/738,445**

(22) Filed: **Jun. 17, 2020**

(30) **Foreign Application Priority Data**

Feb. 13, 2020 (KR) 30-2020-0006364

(51) **LOC (13) Cl.** **09-03**

(52) **U.S. Cl.**
USPC **D9/456; D9/424**

(58) **Field of Classification Search**
USPC D9/414, 516, 454, 456, 544, 690, 430,
D9/434, 415, 424, 425, 428, 455, 737,
D9/739, 751-755, 756, 760; D14/489;
D23/269

CPC B65D 5/42; B65D 81/24; B65D 73/00;
B65D 2577/10; B65D 5/48038

See application file for complete search history.

(56) **References Cited**

U.S. PATENT DOCUMENTS

3,203,583 A * 8/1965 Amberg A47G 23/0641
D9/456
3,424,110 A * 1/1969 Toot B65D 19/004
108/901
D213,548 S * 3/1969 Redman D9/456
D238,250 S * 12/1975 Sauer D9/756

D284,841 S * 7/1986 Rowland D9/456
D342,783 S * 12/1993 Lesquir D9/424
D444,950 S * 7/2001 Hwang D9/423
D702,126 S * 4/2014 Marchetti B65D 81/113
D9/456
D903,484 S * 12/2020 Bontrager D9/425
D903,485 S * 12/2020 Bontrager D9/425
D904,183 S * 12/2020 Bontrager D9/425
D904,184 S * 12/2020 Bontrager D9/425
D904,877 S * 12/2020 Bontrager D9/425
D909,864 S * 2/2021 Bontrager D9/425
D922,188 S * 6/2021 Woo D9/425
D922,189 S * 6/2021 Woo D9/425

FOREIGN PATENT DOCUMENTS

CN 301038346 * 10/2009
GB 6078567 * 12/2019
JP D1635125 * 7/2019
KR 300702364.0000 * 7/2013

* cited by examiner

Primary Examiner — Brett Miller

Assistant Examiner — Rani J Abdallah

(74) *Attorney, Agent, or Firm* — Emerson Thomson
Bennett; Daniel A. Thomson

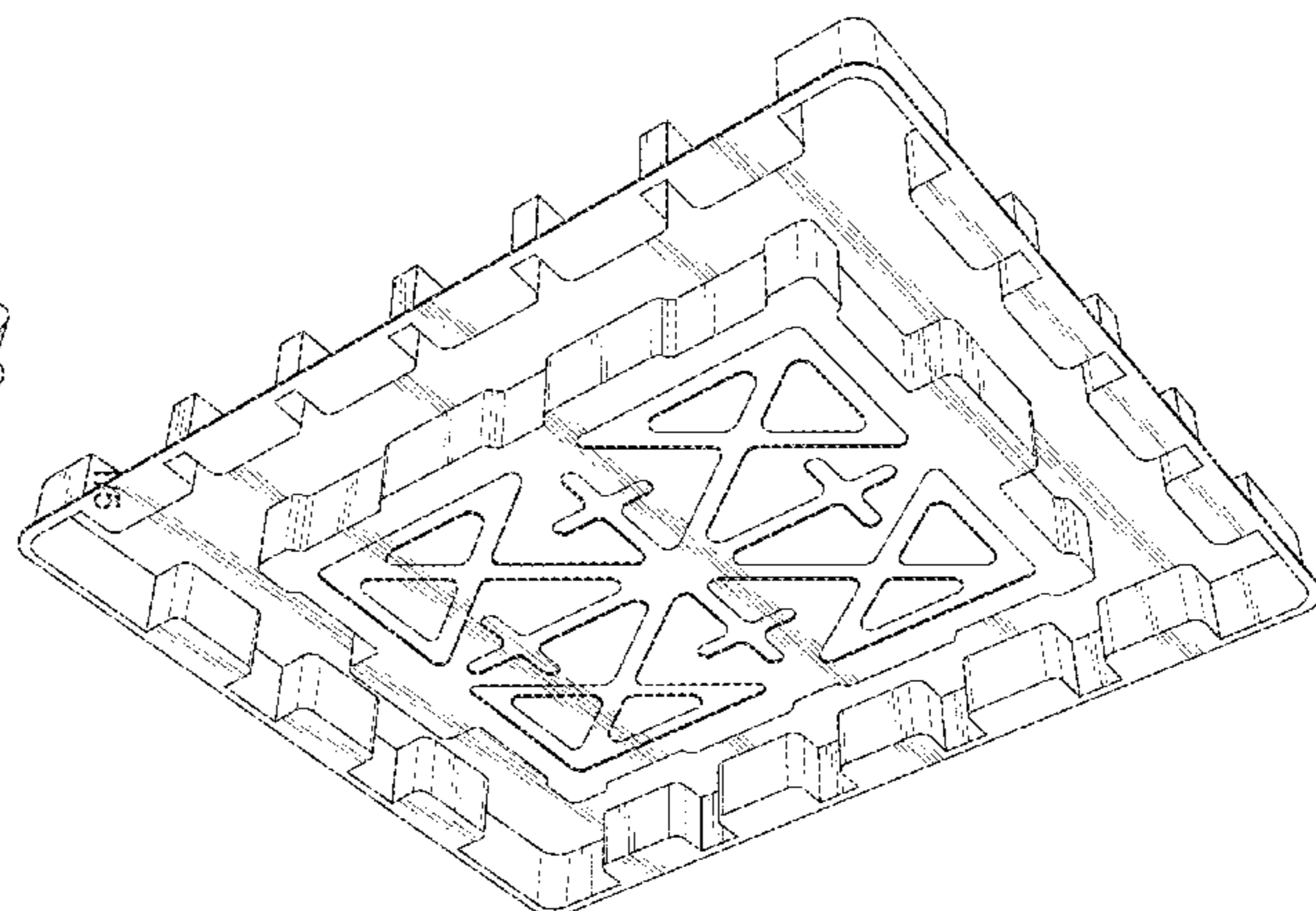
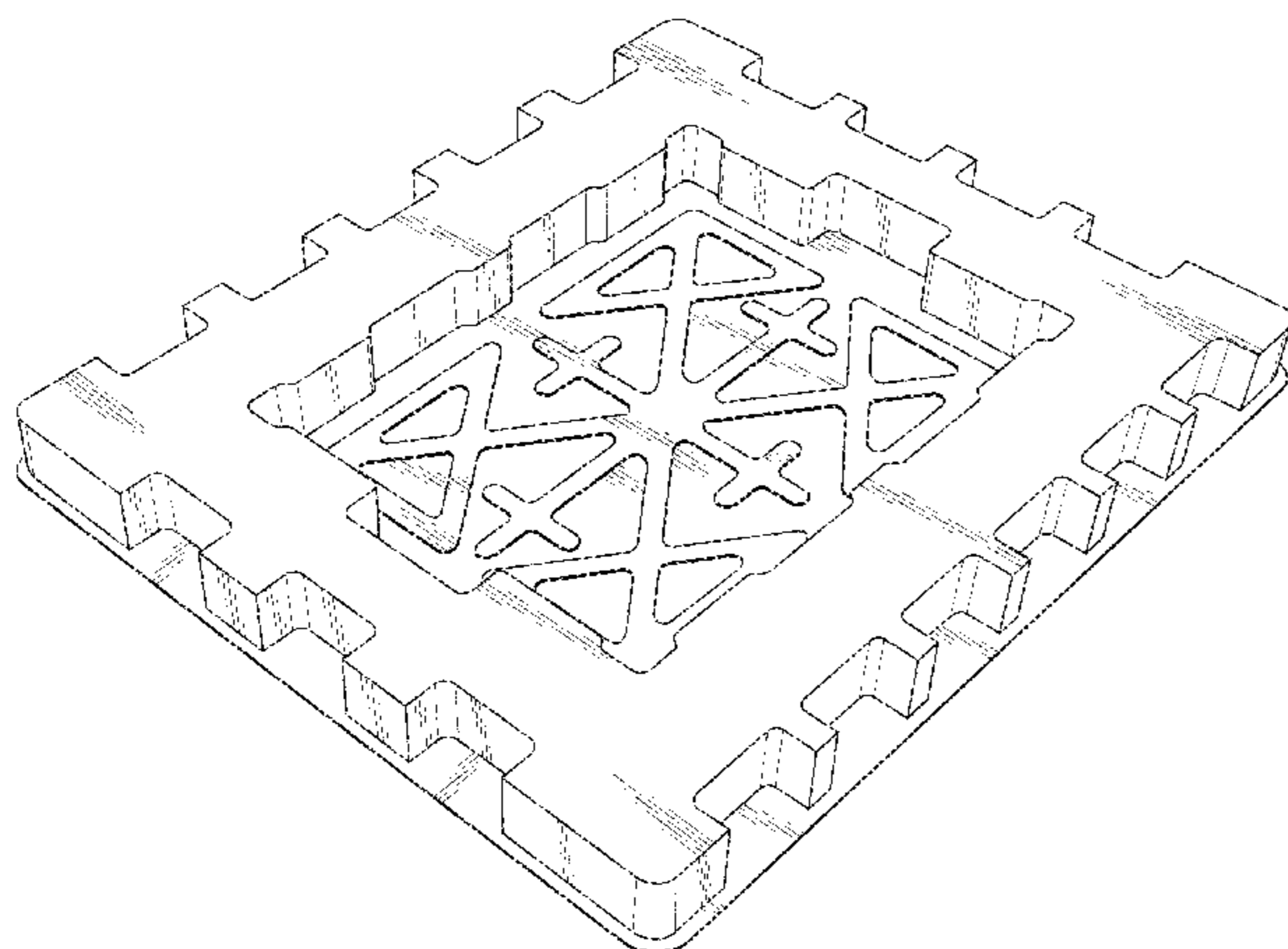
(57) **CLAIM**

The ornamental design for a packaging tray for ceramic substrate, as shown and described.

DESCRIPTION

FIG. 1 is a top perspective view;
FIG. 2 is a bottom perspective view;
FIG. 3 is a bottom view;
FIG. 4 is a top view;
FIG. 5 is a front view;
FIG. 6 is a back view;
FIG. 7 is a right side view; and,
FIG. 8 is a left side view.

1 Claim, 5 Drawing Sheets



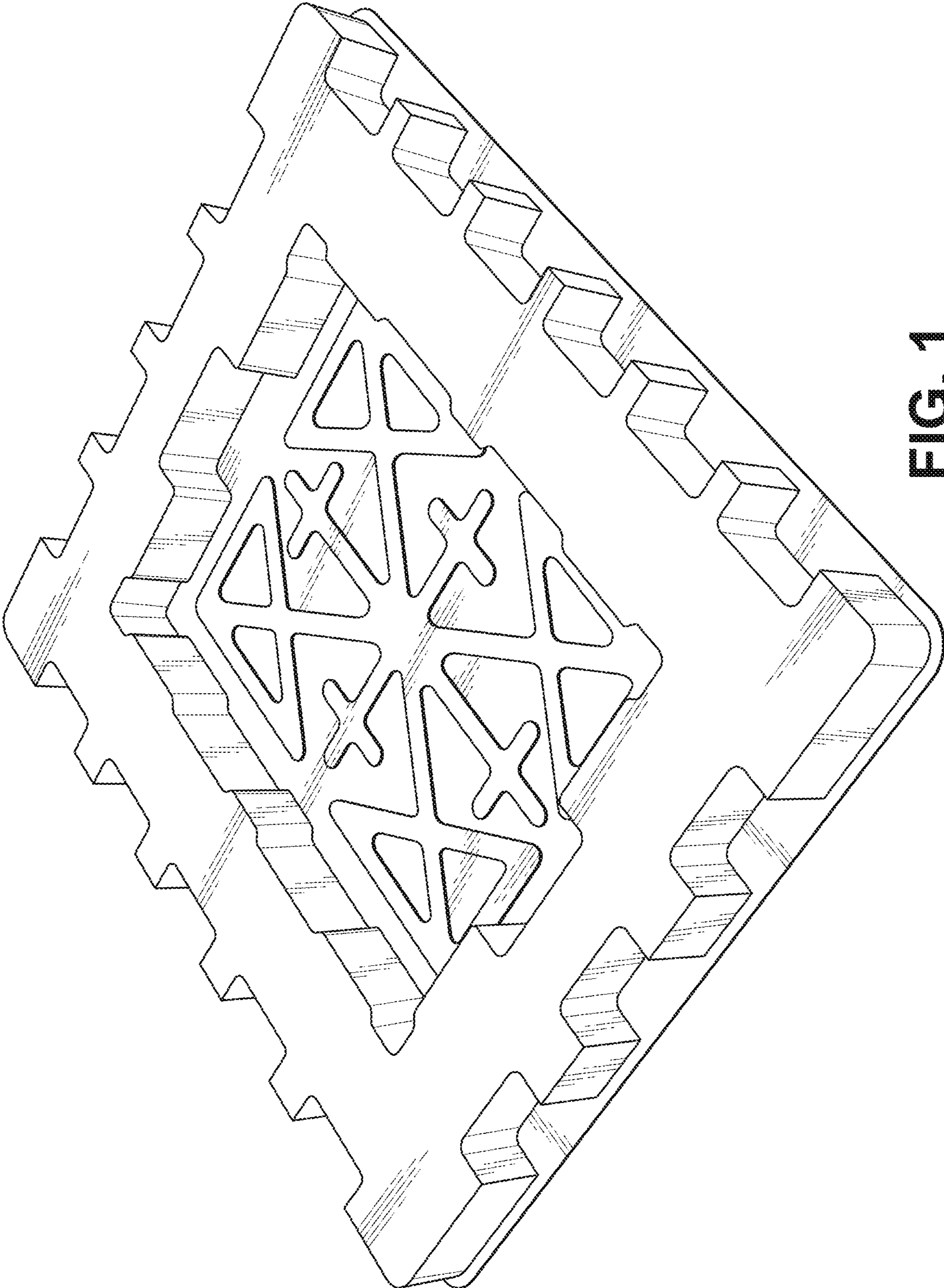


FIG. 1

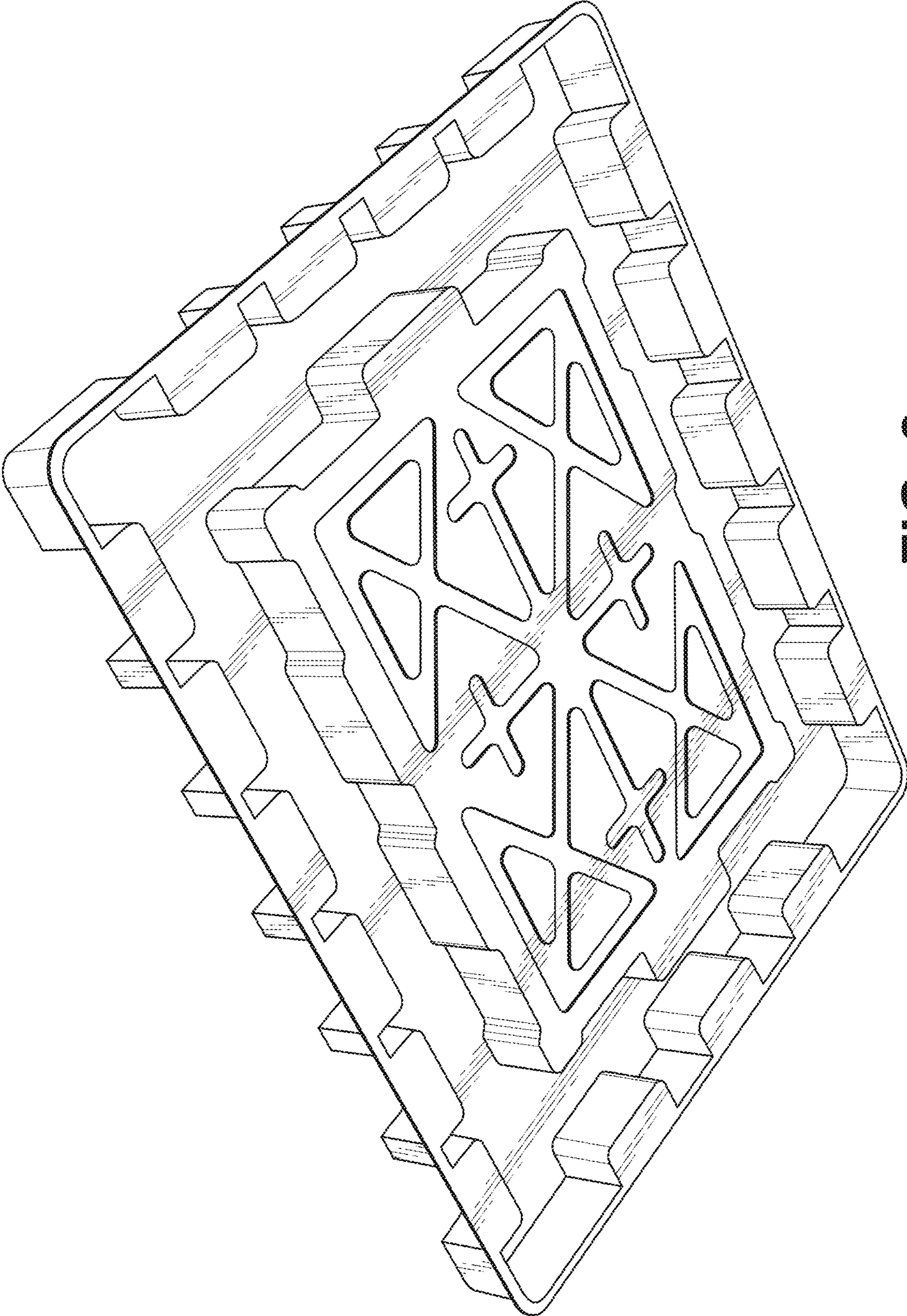


FIG. 2

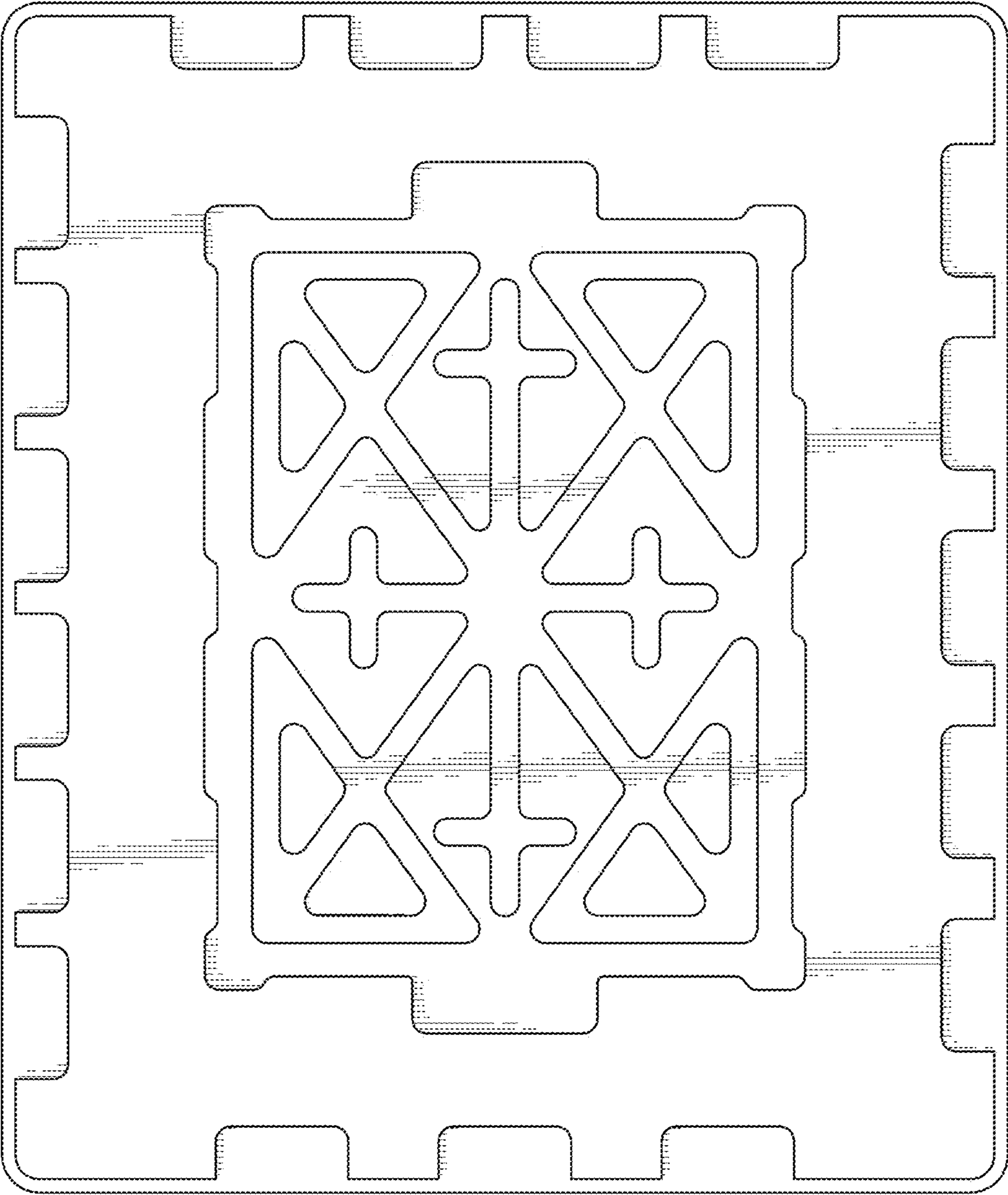


FIG. 3

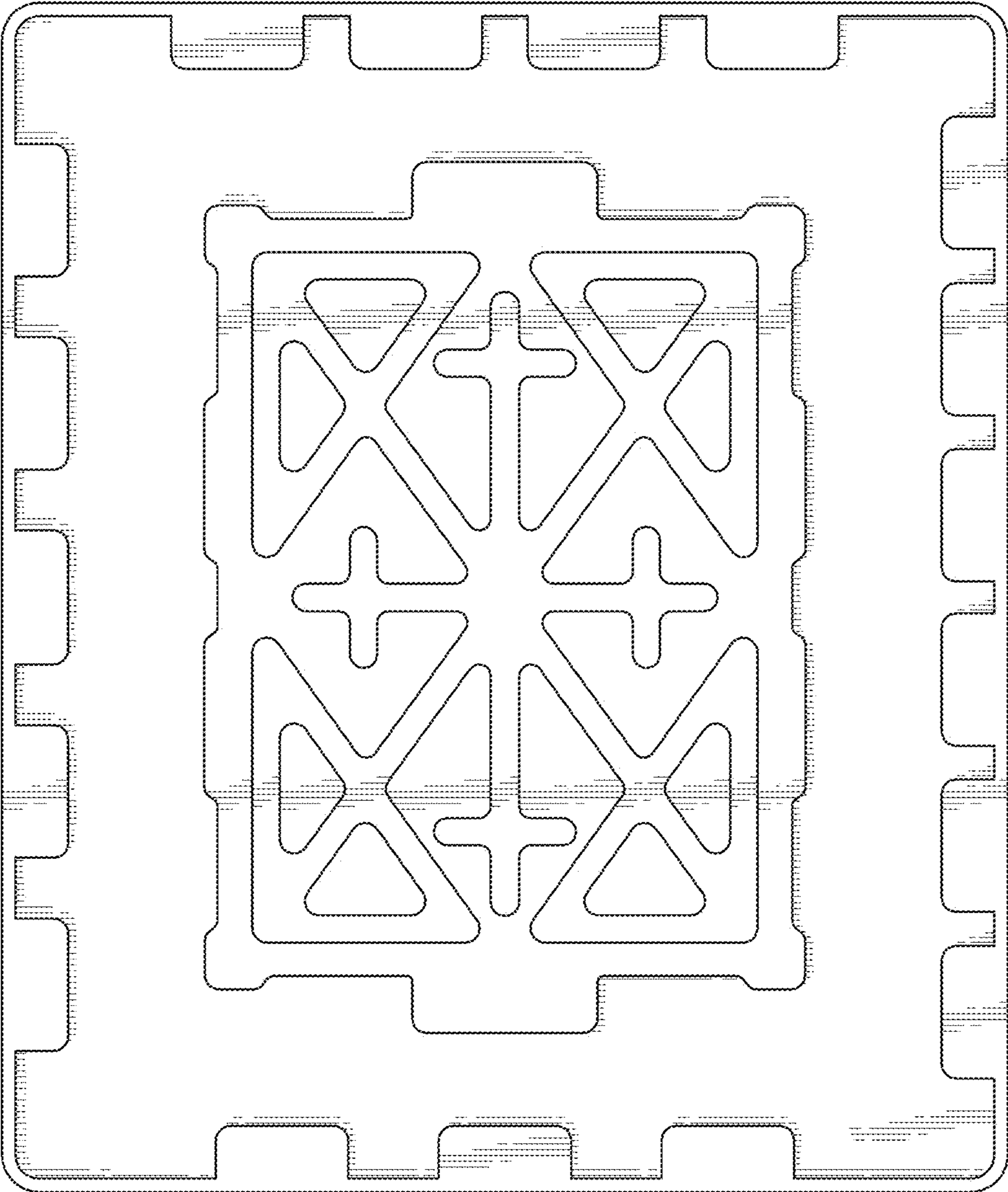


FIG. 4

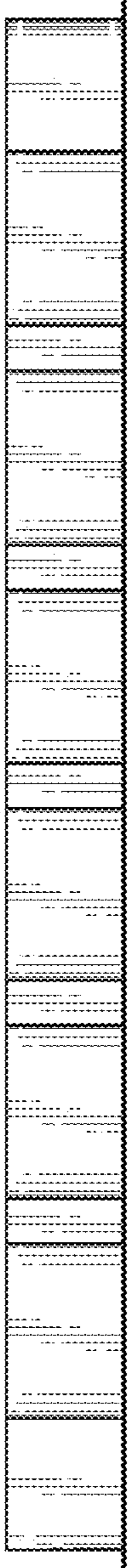


FIG. 5

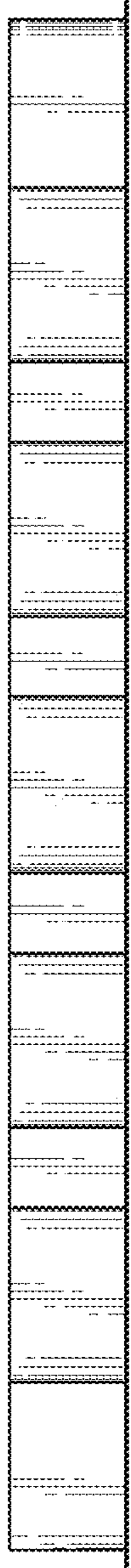


FIG. 6

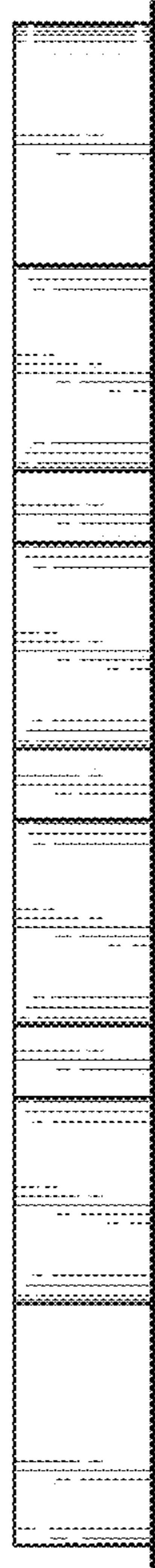


FIG. 7

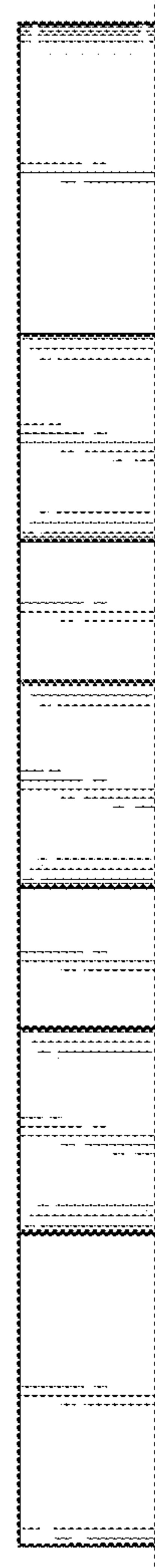


FIG. 8