



US00D959269S

(12) **United States Design Patent**
Hume

(10) **Patent No.:** **US D959,269 S**

(45) **Date of Patent:** **** *Aug. 2, 2022**

(54) **BOTTLE STOPPER**

(71) Applicant: **True Fabrications, In.**, Seattle, WA (US)

(72) Inventor: **Ryan William Hume**, Seattle, WA (US)

(73) Assignee: **TRUE FABRICATIONS, INC.**, Seattle, WA (US)

(*) Notice: This patent is subject to a terminal disclaimer.

(**) Term: **15 Years**

(21) Appl. No.: **29/667,780**

(22) Filed: **Oct. 24, 2018**

(51) **LOC (13) Cl.** **09-07**

(52) **U.S. Cl.**
USPC **D9/440; D7/398**

(58) **Field of Classification Search**
USPC D7/619.1, 619.2, 620, 621, 622, 691, D7/398, 387, 392, 392.1, 412, 313, 397; D9/415, 436, 439, 440, 446, 447, 455, D9/457, 715, 717, 718, 722; D8/10, D8/70.1, 71, 101, 339, 349, 354, 356, D8/360.1, 376, 377, 378, 380, 381, 382, D8/383, 385; D24/127-131, 112-114, D24/133, 186, 194, 146, 231; D23/238, D23/241

CPC .. A47F 5/00; A47F 5/0006; A47F 7/00; A47F 7/08; A47F 7/19; B01F 5/0428; B01F 3/0446; B01F 2215/0072; A47G 19/2205; B65D 47/121; B65D 47/12; B65D 47/32; B65D 47/18; A61F 9/0008; B67D 3/00; B67D 1/0872; B67D 1/0892

See application file for complete search history.

(56) **References Cited**

U.S. PATENT DOCUMENTS

D83,729 S * 3/1931 Hills D7/398
D92,365 S * 5/1934 Olwig D9/440

D106,653 S * 10/1937 Davis D9/436
D112,115 S * 11/1938 Hoeter D9/440
D197,889 S * 4/1964 Hass D24/194
D198,198 S * 5/1964 Radeloff D9/440
D207,432 S * 4/1967 Salvatico D9/440
D251,734 S * 5/1979 McCaw D23/263
D445,182 S * 7/2001 Haynes D24/129
D624,358 S * 9/2010 Maufette D7/387
D670,558 S * 11/2012 Luzano-Belfield D9/440
D677,524 S * 3/2013 Agarwal D7/397
D692,537 S * 10/2013 Starck D23/238
D772,004 S * 11/2016 Khan D7/397
D806,857 S * 1/2018 Hua D24/110

(Continued)

FOREIGN PATENT DOCUMENTS

CN 303540543 * 1/2016

Primary Examiner — Catherine S Posthauer

(74) *Attorney, Agent, or Firm* — Vicky Kaur Batwa

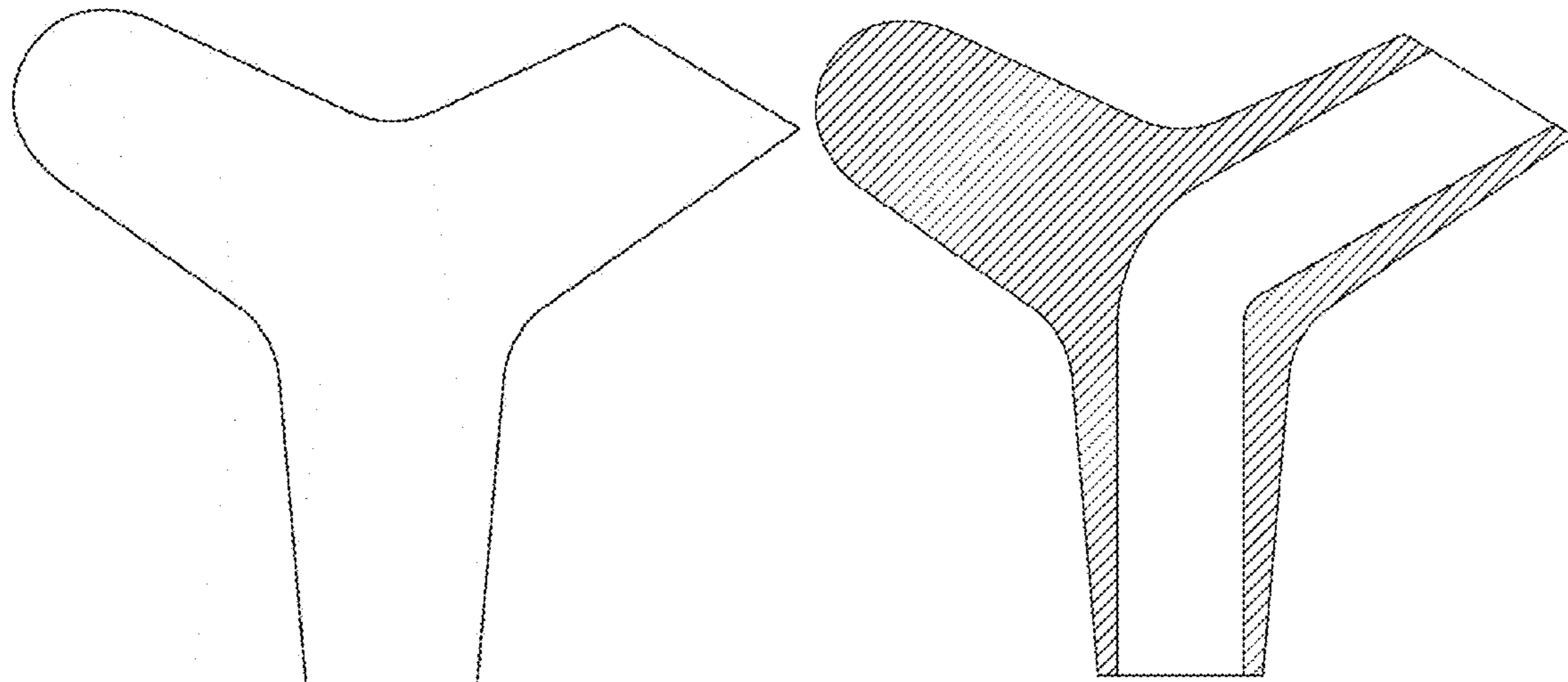
(57) **CLAIM**

The ornamental design for a bottle stopper, as shown and described.

DESCRIPTION

FIG. 1 is a front elevation view of a bottle stopper showing my new design; the rear view being a mirror image thereof; FIG. 2 is a left side elevation view of the bottle stopper of FIG. 1; FIG. 3 is a right side elevation view of the bottle stopper of FIG. 1; FIG. 4 is a top view of the bottle stopper of FIG. 1; FIG. 5 is a bottom view of the bottle stopper of FIG. 1; FIG. 6 is a bottom perspective view of the bottle stopper of FIG. 1; and, FIG. 7 is a cross-sectional view of the bottle stopper; taken in the direction of line 7-7 on FIG. 4.

1 Claim, 3 Drawing Sheets



(56)

References Cited

U.S. PATENT DOCUMENTS

D825,987 S *	8/2018	Min	D7/398
D826,400 S *	8/2018	Nelson	D24/129
D850,615 S *	6/2019	Chung	D24/129
D855,392 S *	8/2019	Shim	D7/397
D873,410 S *	1/2020	Scampoli	D24/112
2013/0255505 A1 *	10/2013	Verbicky	B01F 5/0428
			99/323.1
2015/0014367 A1 *	1/2015	VanSyckel	B65D 47/121
			222/399

* cited by examiner

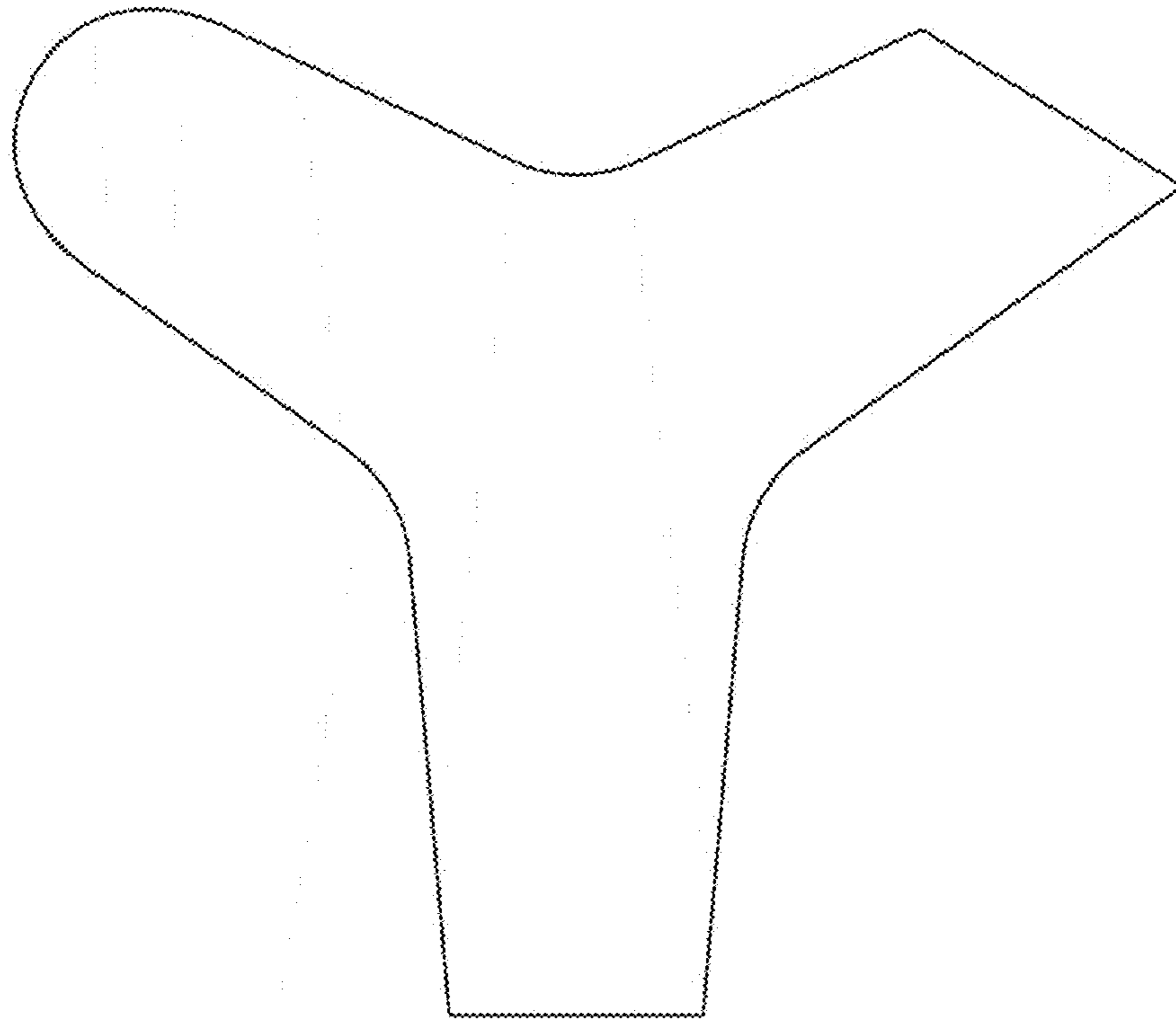


FIG. 1

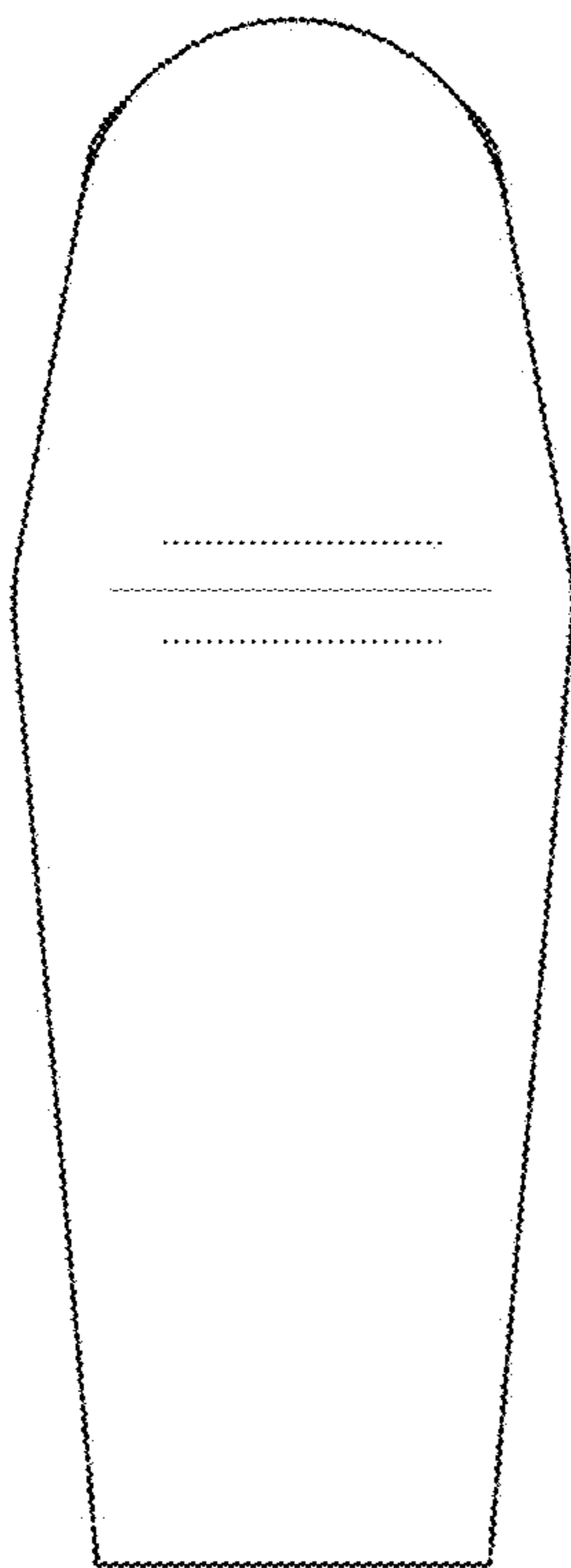


FIG. 2

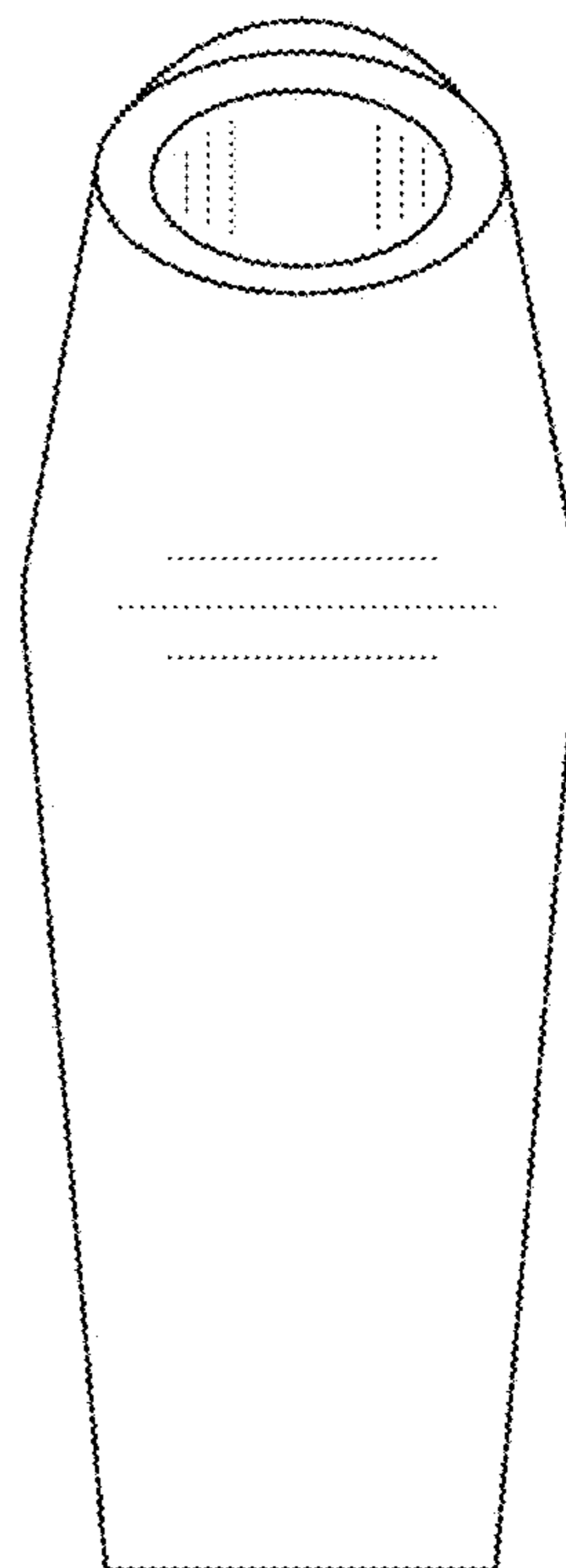


FIG. 3

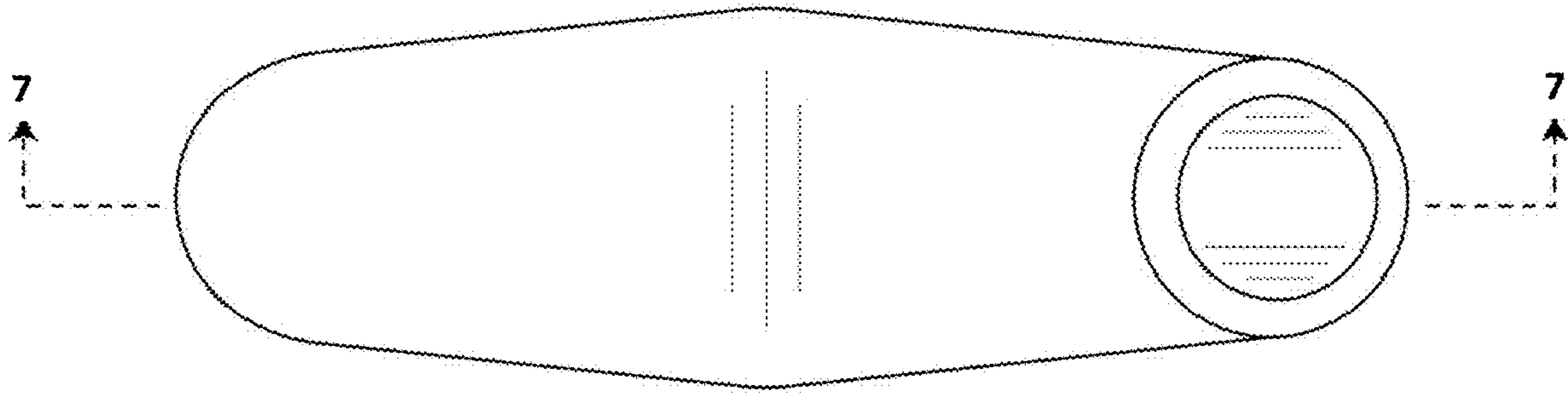


FIG. 4

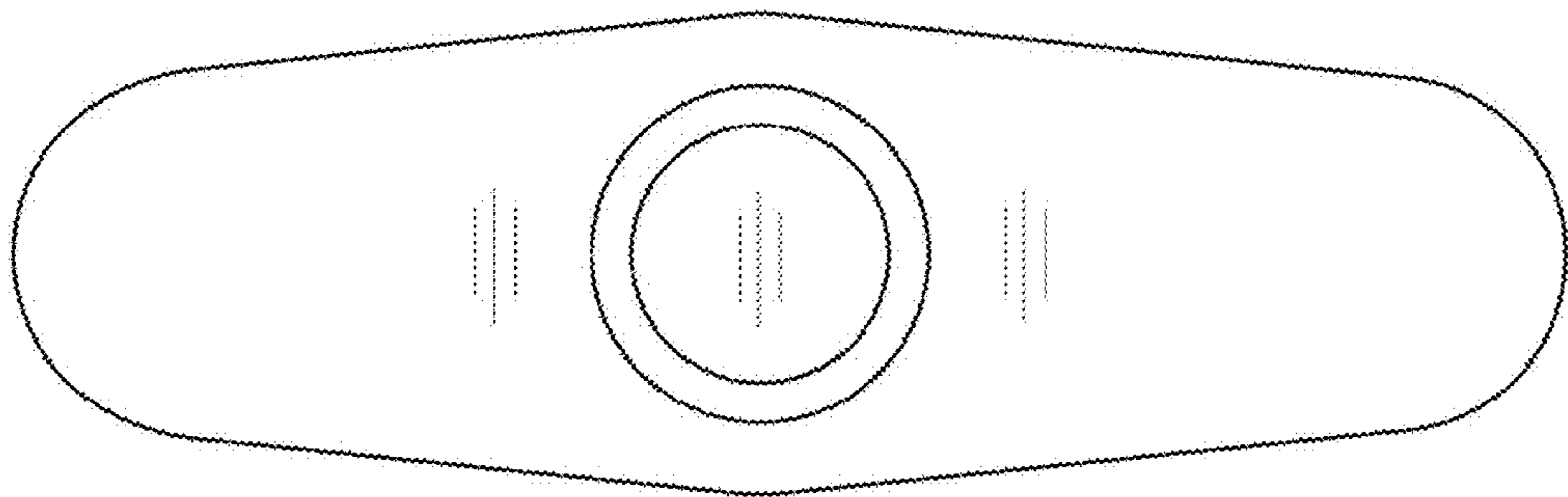


FIG. 5

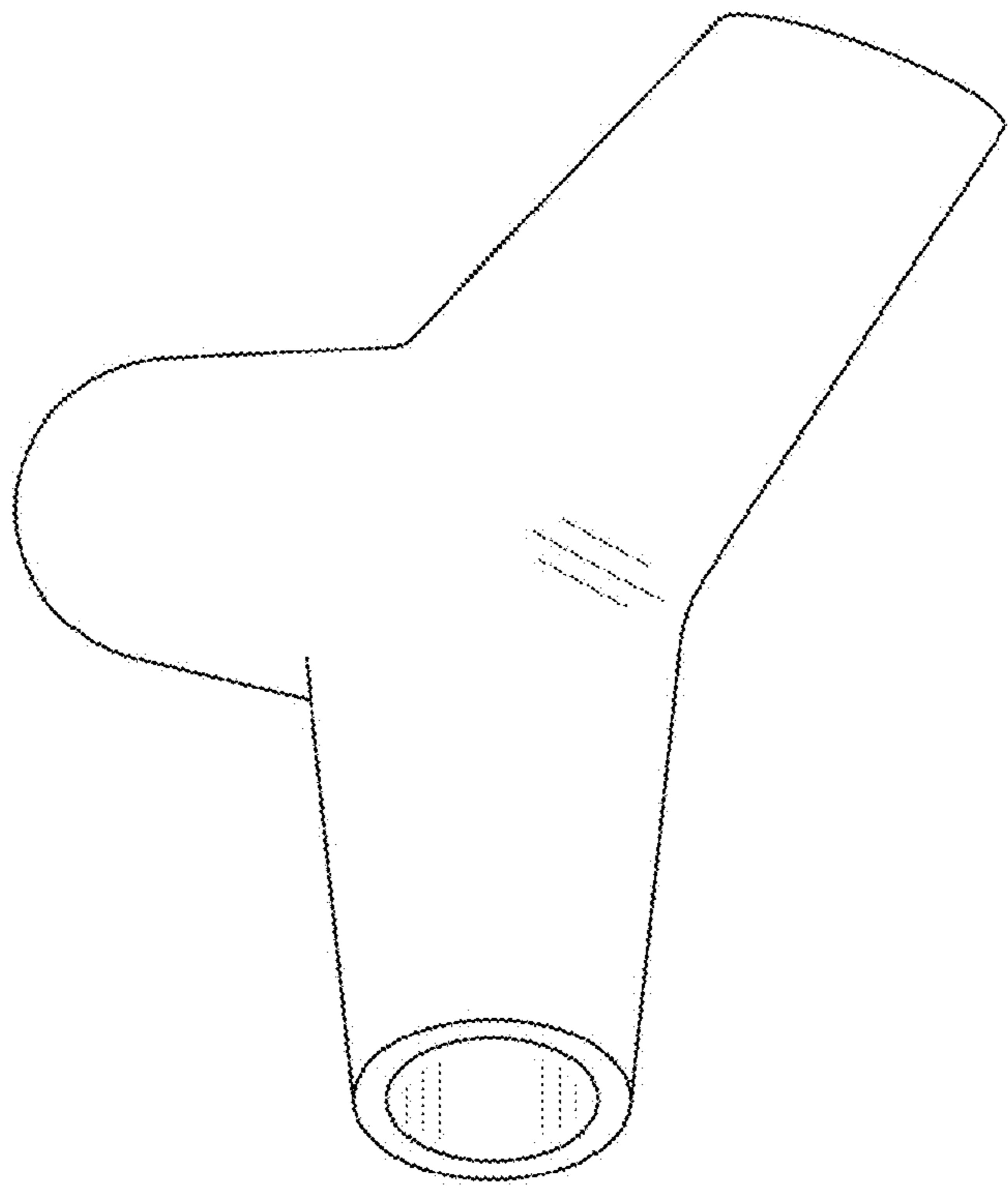


FIG. 6

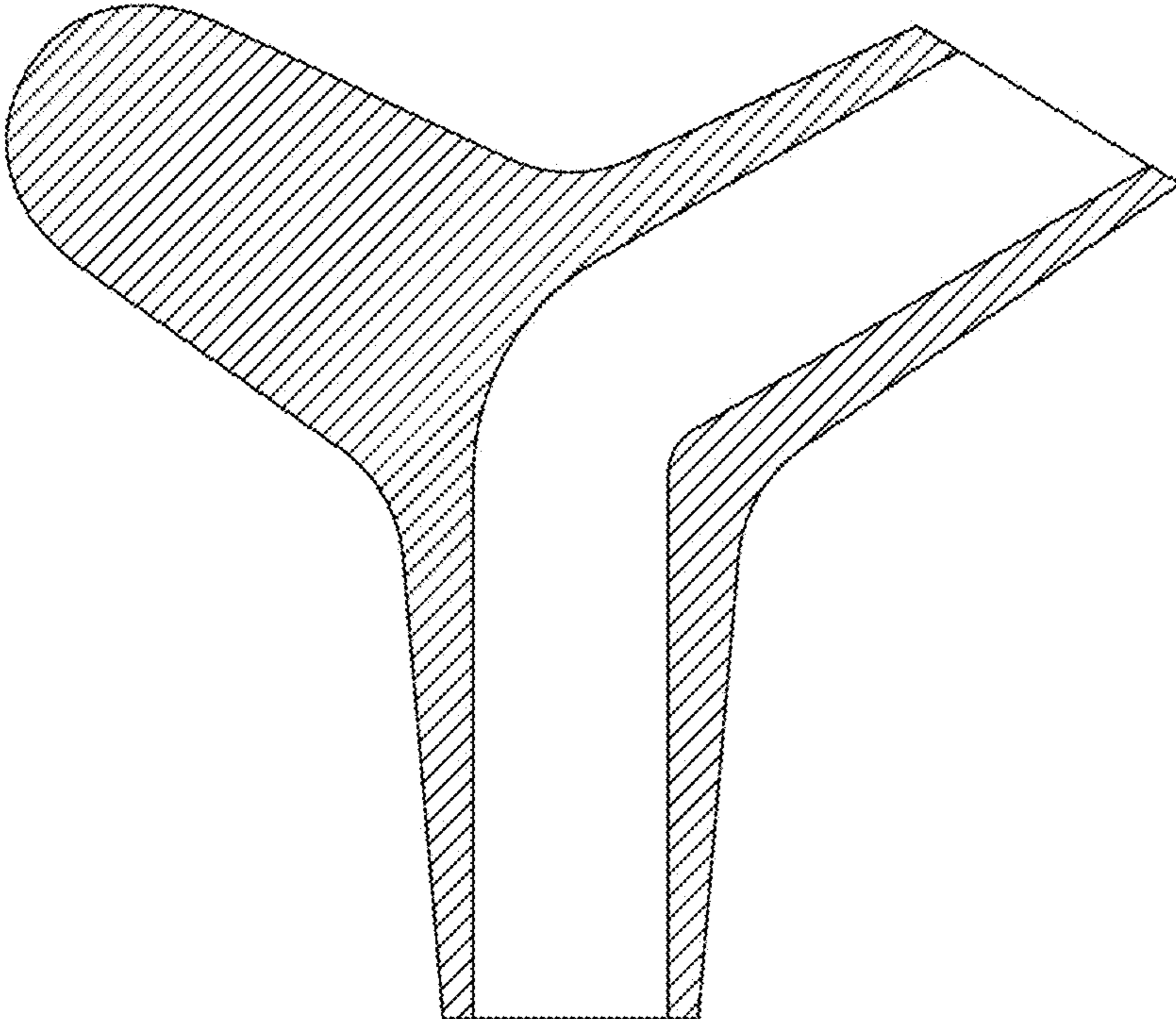


FIG. 7