



US00D959268S

(12) **United States Design Patent**
Hume

(10) **Patent No.:** **US D959,268 S**

(45) **Date of Patent:** **** Aug. 2, 2022**

(54) **BOTTLE STOPPER**

(71) Applicant: **True Fabrications, Inc.**, Seattle, WA (US)

(72) Inventor: **Ryan William Hume**, Seattle, WA (US)

(73) Assignee: **TRUE FABRICATIONS, INC.**, Seattle, WA (US)

(**) Term: **15 Years**

(21) Appl. No.: **29/738,548**

(22) Filed: **Jun. 18, 2020**

(51) **LOC (13) Cl.** **09-07**

(52) **U.S. Cl.**
USPC **D9/439**

(58) **Field of Classification Search**
USPC D7/392, 392.1, 396.2, 398; D9/434, 435, D9/436, 439, 440, 443, 447, 452-454, D9/499
CPC B65D 41/00; B65D 41/04; B65D 41/26; B65D 39/00

See application file for complete search history.

(56) **References Cited**

U.S. PATENT DOCUMENTS

D35,143 S *	10/1901	Meinecke	D9/439
D56,107 S *	8/1920	Rustant	D9/439
D182,301 S *	3/1958	Pancrazi	D9/439
D187,402 S *	3/1960	Fessler	D9/439
D188,471 S *	7/1960	Terwilliger	D9/439
D192,710 S *	5/1962	Hecht	D9/439
D241,018 S *	8/1976	De Amicis	D9/439
D296,524 S *	7/1988	Schneider	D9/439
D399,423 S *	10/1998	Palestrant	D9/447
D420,589 S *	2/2000	Baxter	D9/439
D467,769 S *	12/2002	Riendeau	D9/449
D639,657 S *	6/2011	Hoyt	D9/439
D643,721 S *	8/2011	Blinn	D9/440
D686,496 S *	7/2013	Strauli	D9/434

D694,625 S *	12/2013	Maxwell	D9/454
D729,063 S *	5/2015	Koop	D9/439
D730,730 S *	6/2015	Haley	D9/440
D741,645 S *	10/2015	Lau	D7/397
D803,050 S *	11/2017	Ploeger	D15/152
D815,524 S *	4/2018	Seeuwen	D9/439
D828,751 S *	9/2018	Ploeger	D15/152
D853,183 S *	7/2019	Adams, Jr.	D7/392.1
D862,228 S *	10/2019	Yao	D7/392.1

(Continued)

OTHER PUBLICATIONS

Made in China. Hot Sale Screen Printing Hair Oil Transparent Roll on Bottle for Perfume/Beauty Care. No date specified. <https://m.made-in-china.com/product/Hot-Sale-Screen-Printing-Hair-Oil-Transparent-Roll-on-Bottle-for-Perfume-Beauty-Care-1915356094.html> (Year: 0).*

Primary Examiner — Darcey E Gottschalk

(74) *Attorney, Agent, or Firm* — Vicky Kaur Bajwa

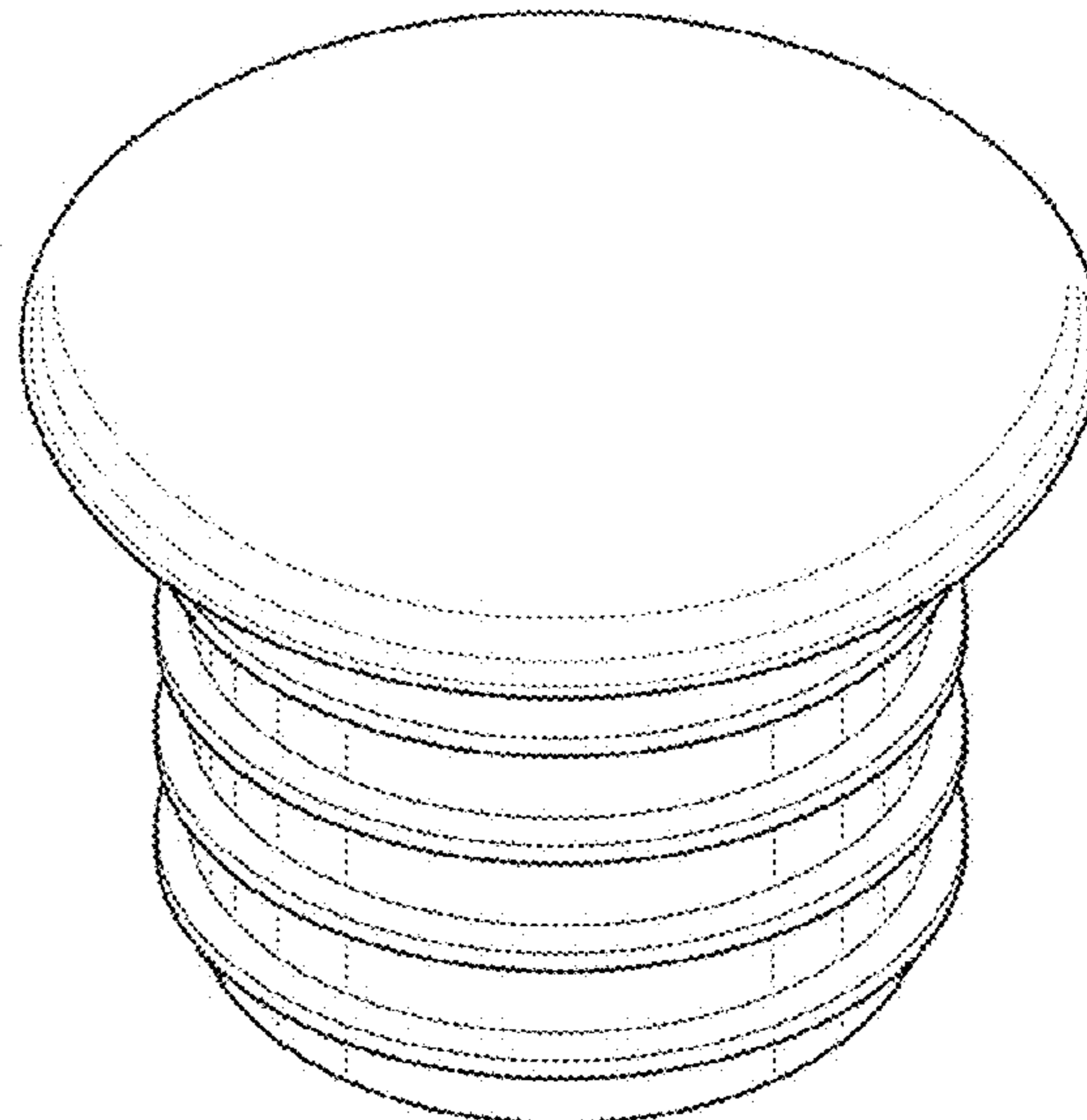
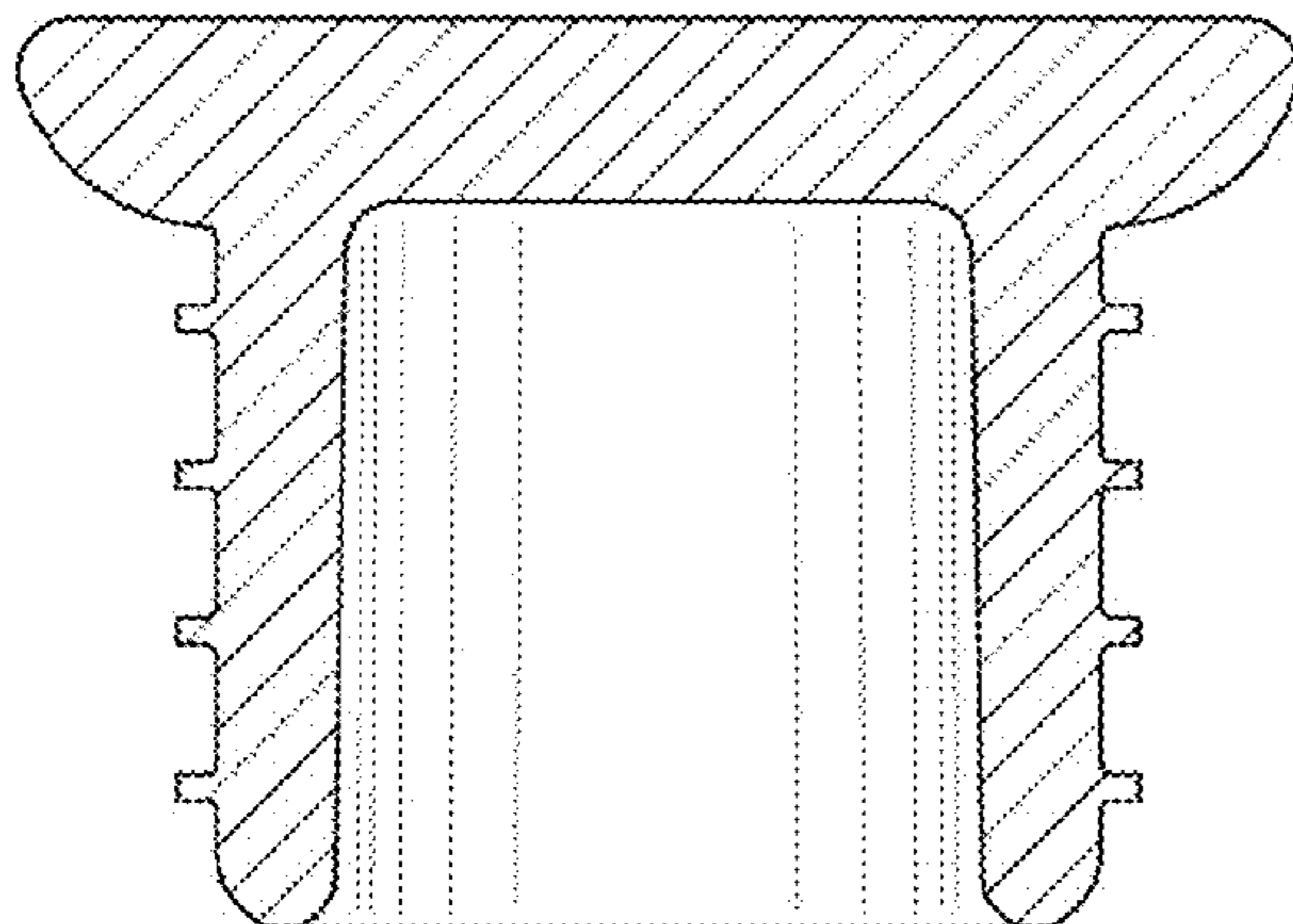
(57) **CLAIM**

The ornamental design for a bottle stopper, as shown and described.

DESCRIPTION

FIG. 1 is a front elevation view of a bottle stopper showing my new design; the rear elevation, left side elevation, and right side elevation views being a mirror image thereof; FIG. 2 is a top view of the bottle stopper of FIG. 1; FIG. 3 is a bottom view of the bottle stopper of FIG. 1; FIG. 4 is a cross-sectional view of the bottle stopper taken in the direction of line 4-4 on FIG. 2; FIG. 5 is a top perspective view of the bottle stopper of FIG. 1; and, FIG. 6 is a bottom perspective view of the bottle stopper of FIG. 1. In FIG. 2, the pair of arrows represent a sectional designation that forms no part of the claim.

1 Claim, 2 Drawing Sheets



(56)

References Cited

U.S. PATENT DOCUMENTS

D875,524 S *	2/2020	Holmes	D9/439
D906,805 S *	1/2021	Guduru	D9/439
D933,477 S *	10/2021	Glaser	D9/439
D943,414 S *	2/2022	Niles	D9/439
2011/0147335 A1 *	6/2011	Garcia	B65D 39/00
			215/230
2017/0239382 A1 *	8/2017	Griffis	B65D 51/24

* cited by examiner

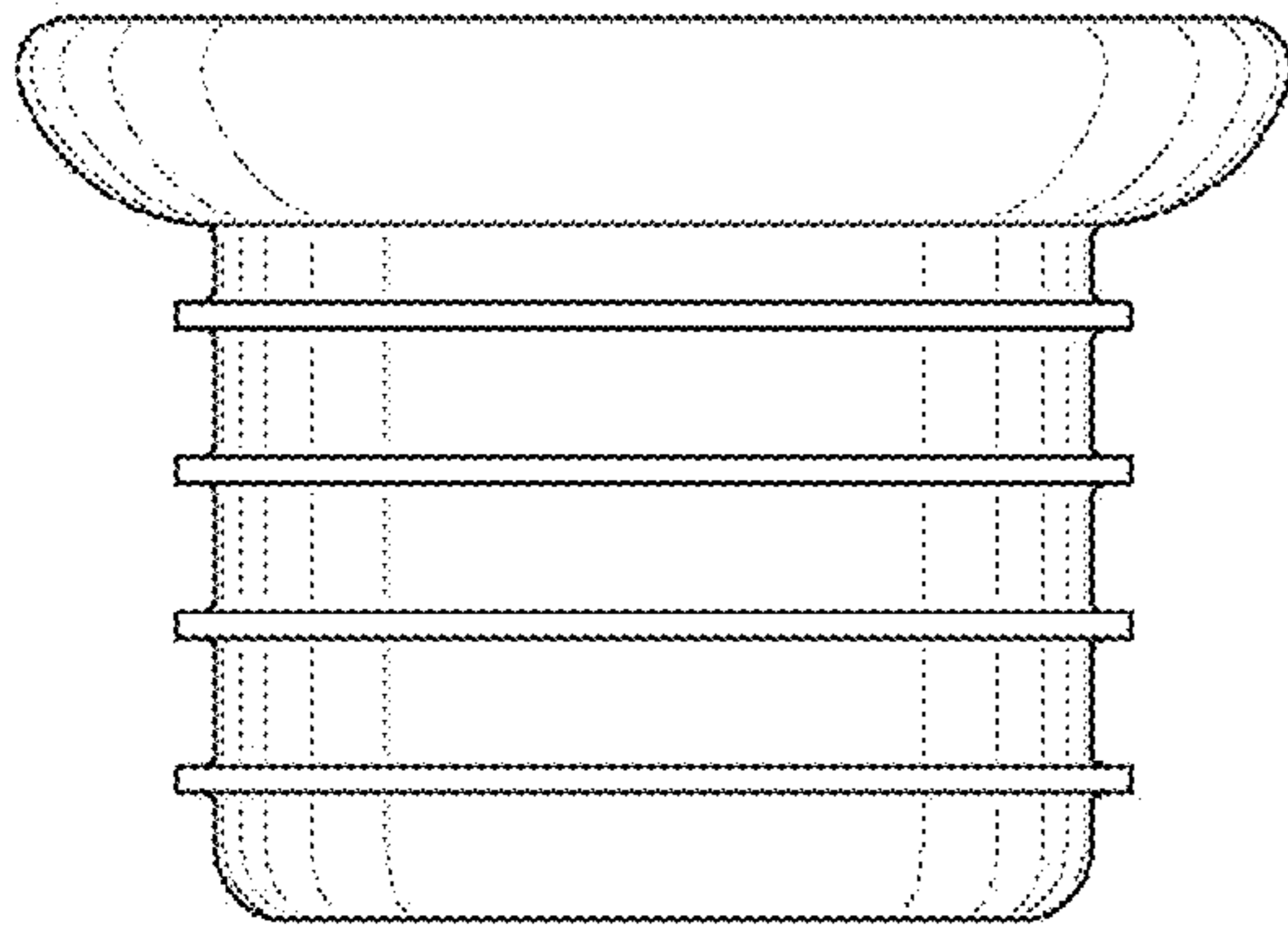


FIG. 1

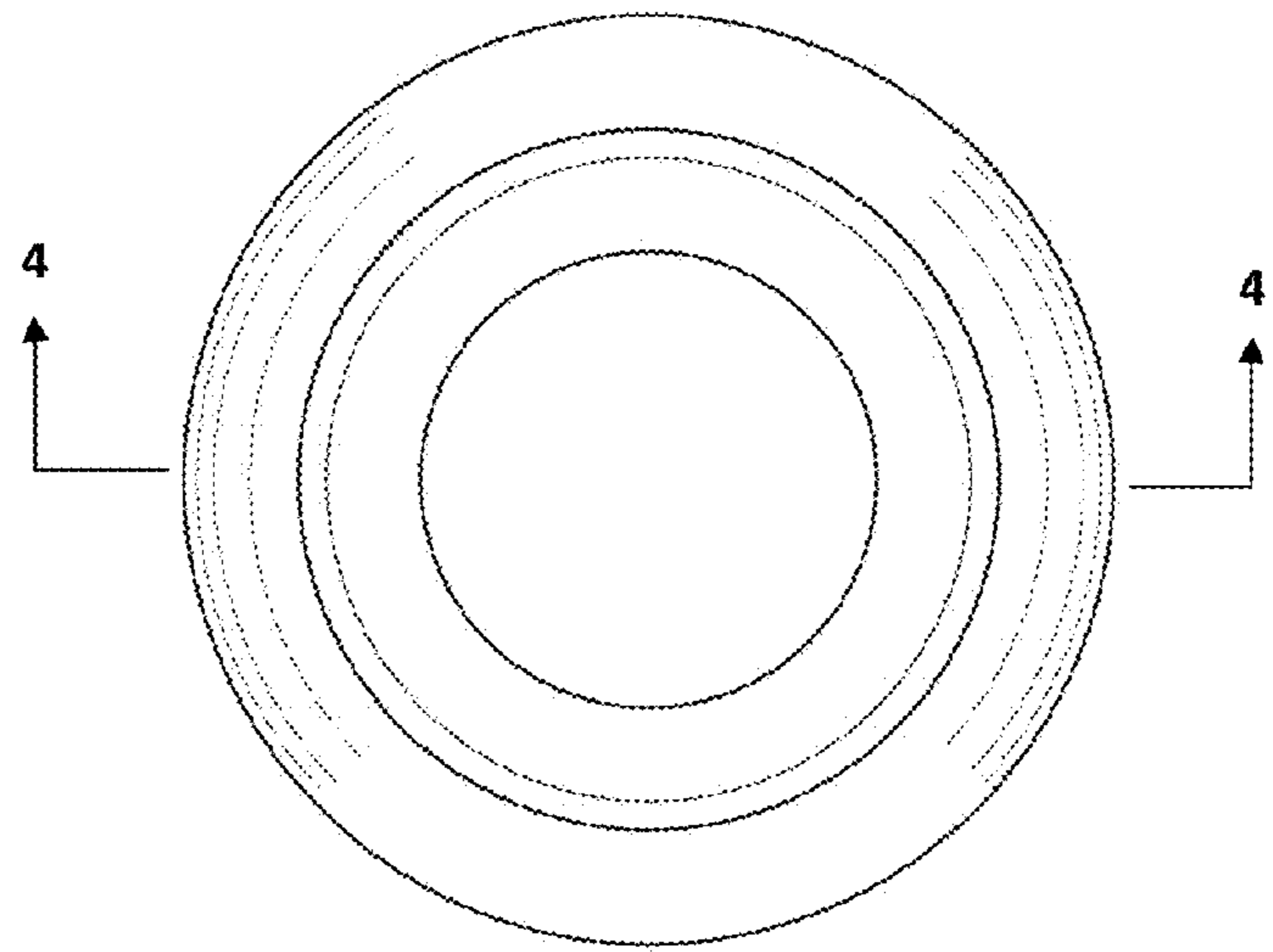


FIG. 2

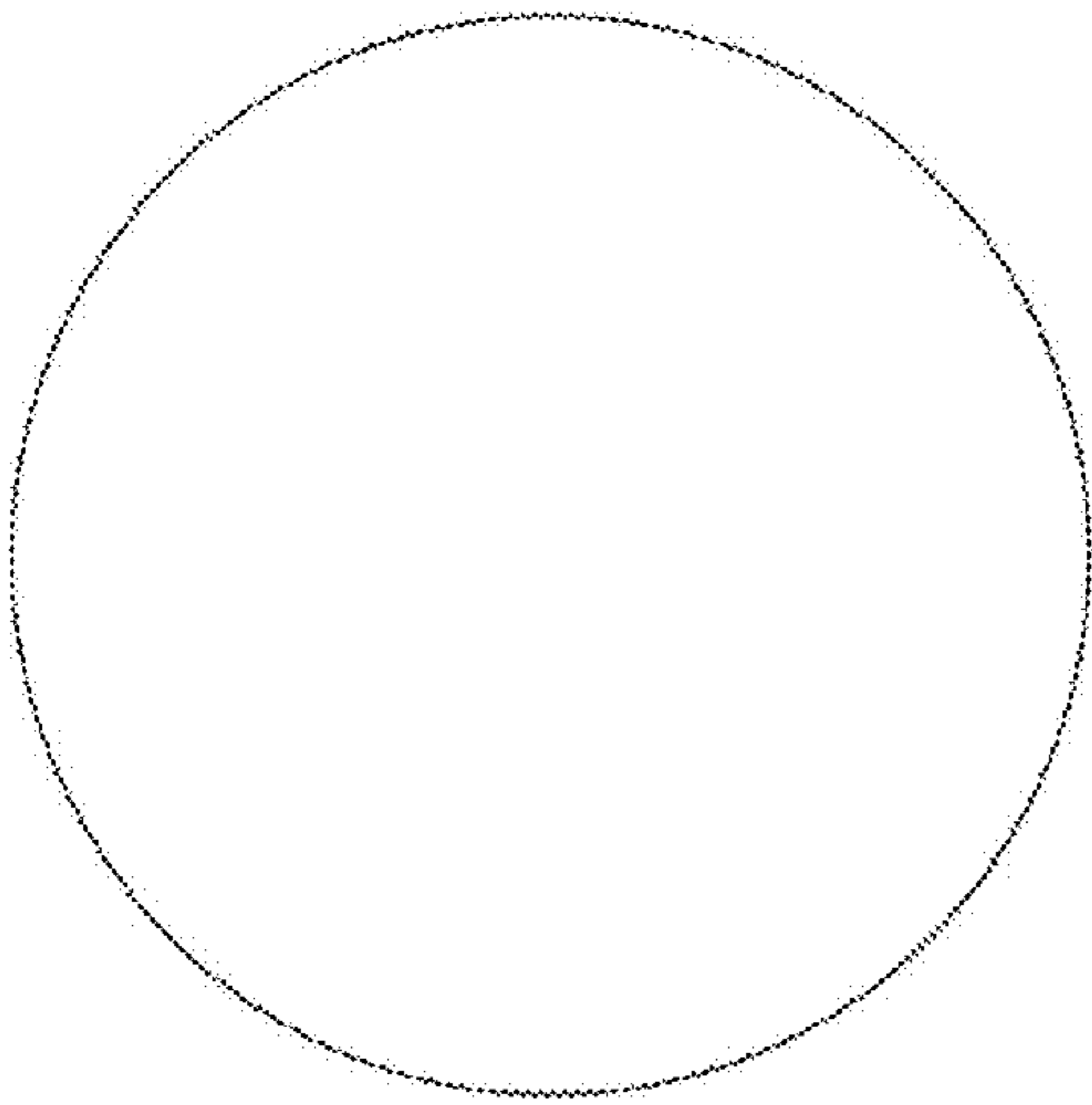


FIG. 3

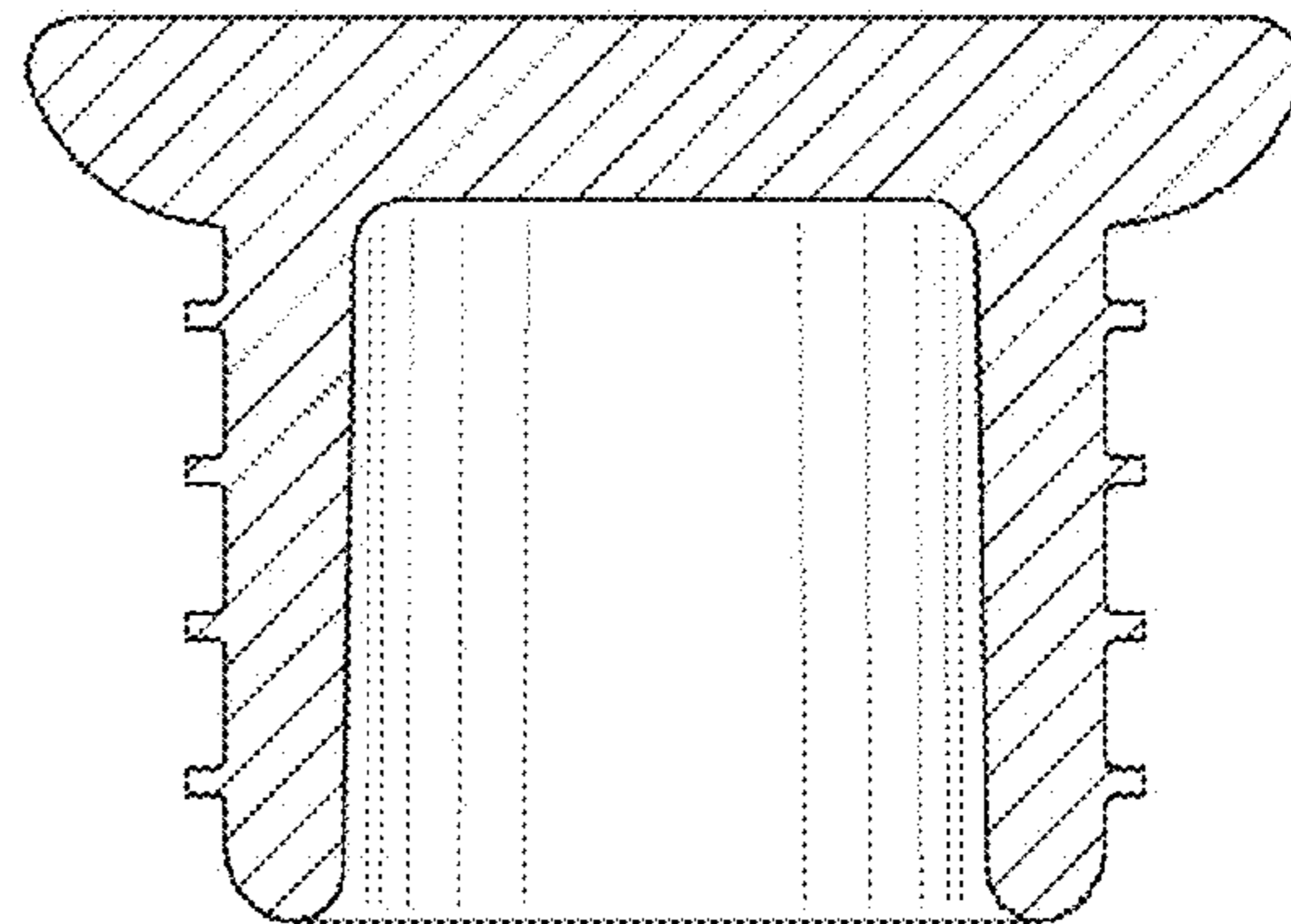


FIG. 4

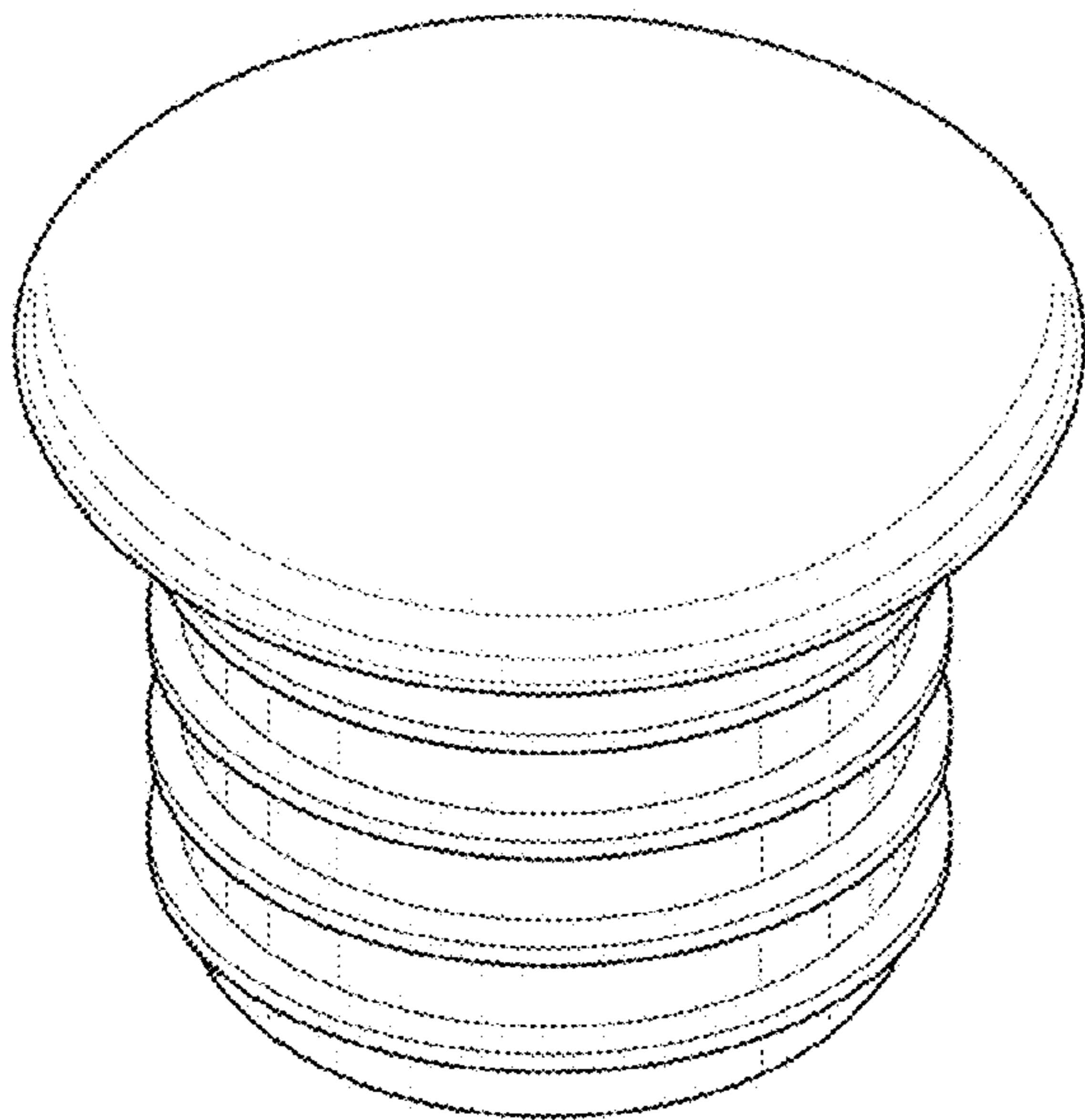


FIG. 5

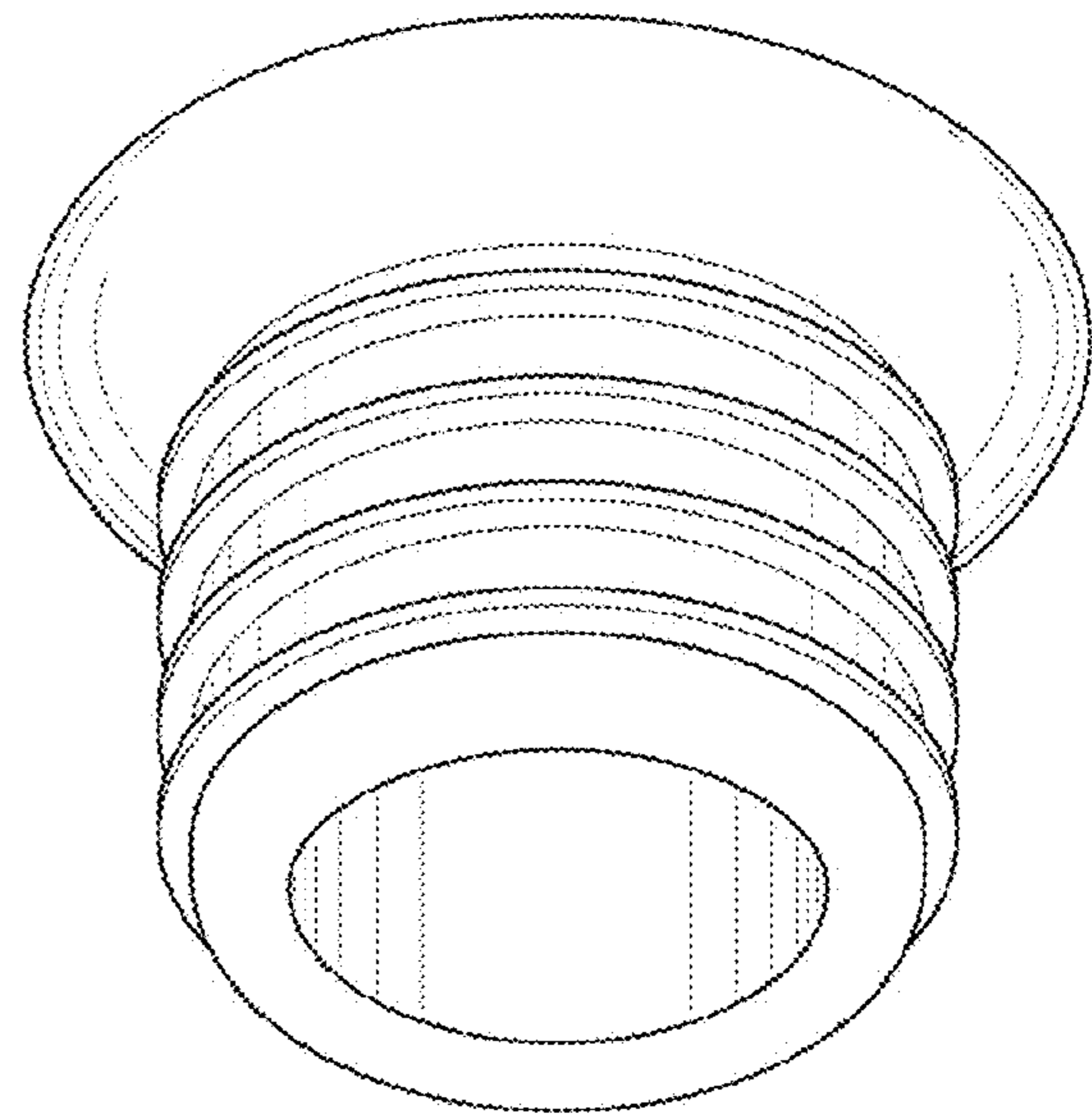


FIG. 6