



US00D959264S

(12) **United States Design Patent** (10) **Patent No.:** **US D959,264 S**
Nelson et al. (45) **Date of Patent:** **** Aug. 2, 2022**

(54) **PRODUCE LID**
(71) Applicant: **Mission Produce, Inc.**, Oxnard, CA (US)
(72) Inventors: **Charles Nelson**, Oxnard, CA (US); **Leonardo Lira**, Oxnard, CA (US)
(73) Assignee: **Mission Produce, Inc.**, Oxnard, CA (US)

D378,561 S * 3/1997 Ferris D7/359
D382,439 S * 8/1997 Feiz D7/311
D418,058 S * 12/1999 Chatterton D9/434
6,367,690 B1 4/2002 McClure
D471,454 S * 3/2003 Boebel D9/435
7,628,312 B2 12/2009 Mittelstaedt et al.
D619,889 S * 7/2010 Short D9/425
D642,054 S * 7/2011 Samartgis D9/435
(Continued)

(**) Term: **15 Years**

EP 1876103 A1 9/2008

(21) Appl. No.: **29/735,542**

OTHER PUBLICATIONS

(22) Filed: **May 21, 2020**

Mission Produce. Packaging and Plus. No date specified, <https://missionproduce.com/packaging> (Year: 0).*

(51) **LOC (13) Cl.** **09-07**

(Continued)

(52) **U.S. Cl.**
USPC **D9/435; D9/443**

(58) **Field of Classification Search**
USPC D9/434-436, 456, 499, 427, 433, 730, D9/732, 736, 737, 748, 749, 755, 759, D9/760, 761; D7/311, 396.1, 396.4, D7/550.1, 553.2, 553.3, 554.3, 555, 601, D7/602, 620, 704; D23/260, 261; D5/1-3, 46, 47, 54; D3/201, 272, 304
CPC B65D 43/0204; B65D 1/22
See application file for complete search history.

Primary Examiner — Darcey E Gottschalk
(74) *Attorney, Agent, or Firm* — SoCal IP Law Group LLP; Guy Cumberbatch; Steven C. Sereboff

(57) **CLAIM**

The ornamental design for a produce lid, as shown and described.

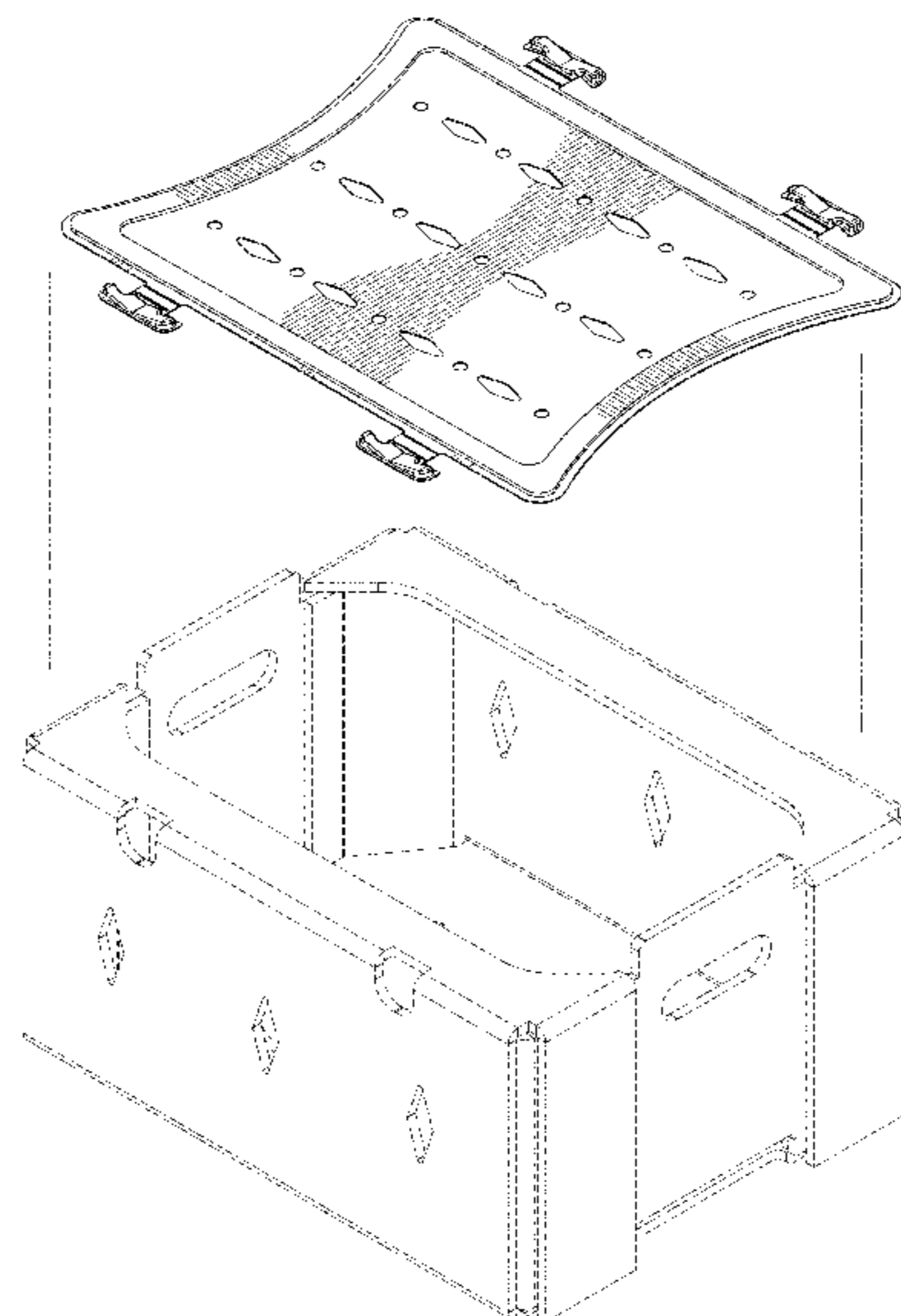
DESCRIPTION

FIG. 1 is a perspective view of a produce lid of the present application over a box shown in broken lines; FIG. 2 is a perspective view; FIG. 3 is a front elevational view; FIG. 4 is a rear elevational view; FIG. 5 is a left elevation view; FIG. 6 is a right elevation view; FIG. 7 is a top plan view; and, FIG. 8 is a bottom plan view. The broken lines show an environment in which the produce lid is used which form no part of the claimed design.

(56) **References Cited**
U.S. PATENT DOCUMENTS

432,141 A * 7/1890 Kinney E04F 13/04 D5/1
D62,071 S * 3/1923 Taylor D9/434
D118,643 S * 1/1940 McKenna D9/456
D187,050 S * 1/1960 Erickson D9/434
3,109,579 A * 11/1963 Crane B65D 29/04 229/87.08
D211,859 S * 8/1968 Tishuk D9/427
D228,746 S * 10/1973 Kuchenbecker D9/435
D240,714 S * 7/1976 White D9/425
4,187,977 A 2/1980 Boykin et al.

1 Claim, 6 Drawing Sheets



(56)

References Cited

U.S. PATENT DOCUMENTS

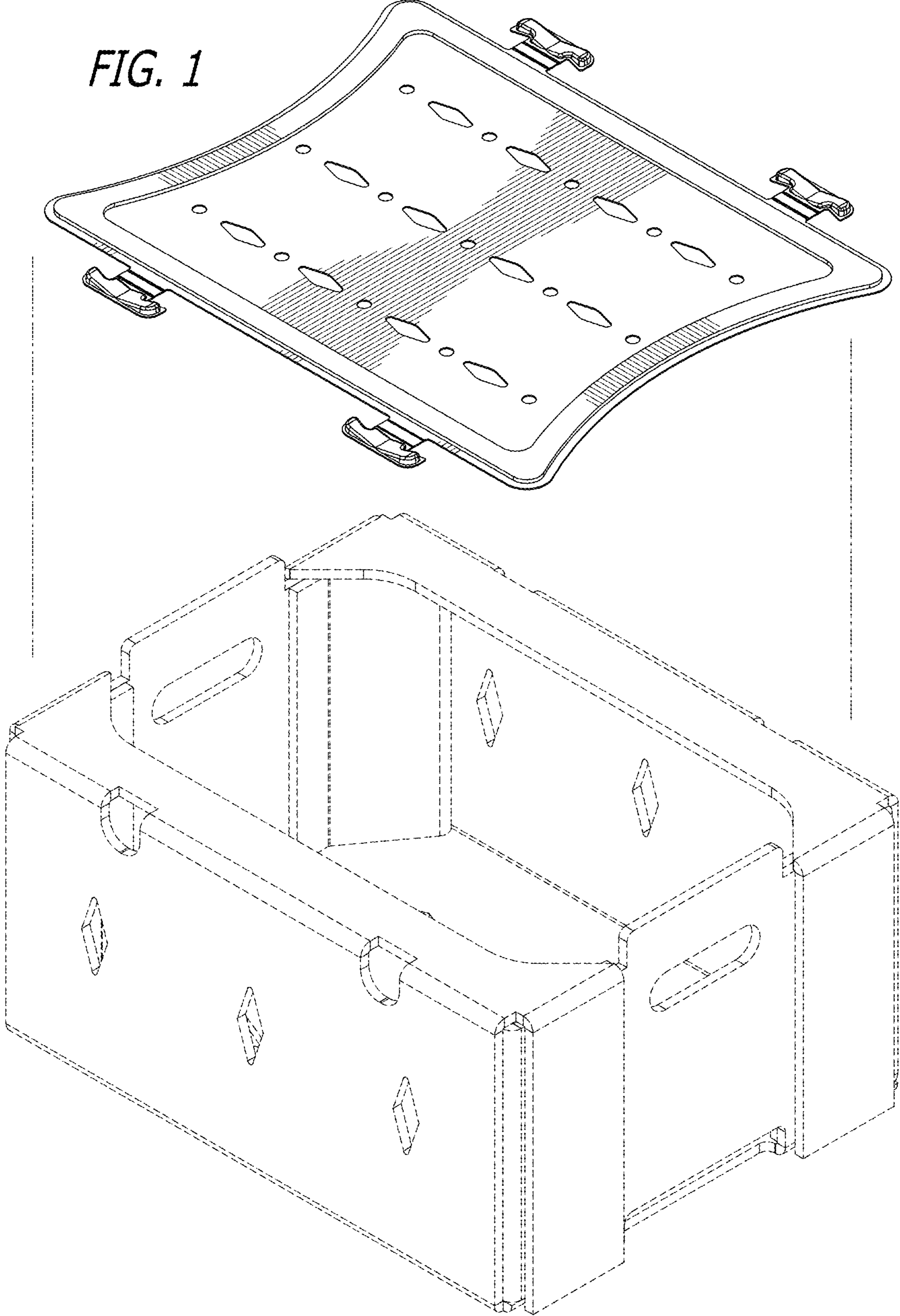
D721,424 S * 1/2015 Bernoti D23/260
D723,139 S * 2/2015 Bernoti D23/260
D787,936 S * 5/2017 Anthony D9/443
D847,635 S * 5/2019 Palma D9/456
D886,529 S * 6/2020 Nelson D7/553.3
10,752,407 B1 * 8/2020 Nelson B65D 85/345
D909,202 S * 2/2021 Kade D9/435
11,091,299 B1 * 8/2021 Nelson B65D 85/345

OTHER PUBLICATIONS

Bonar, Updated: Stone Fruit From Trader Joe' s, Costco , Sam' s Club , Walmart and Ralphs Recalled for Listeria, La Weekly article published Jul. 23, 2014, 3 total pages.

* cited by examiner

FIG. 1



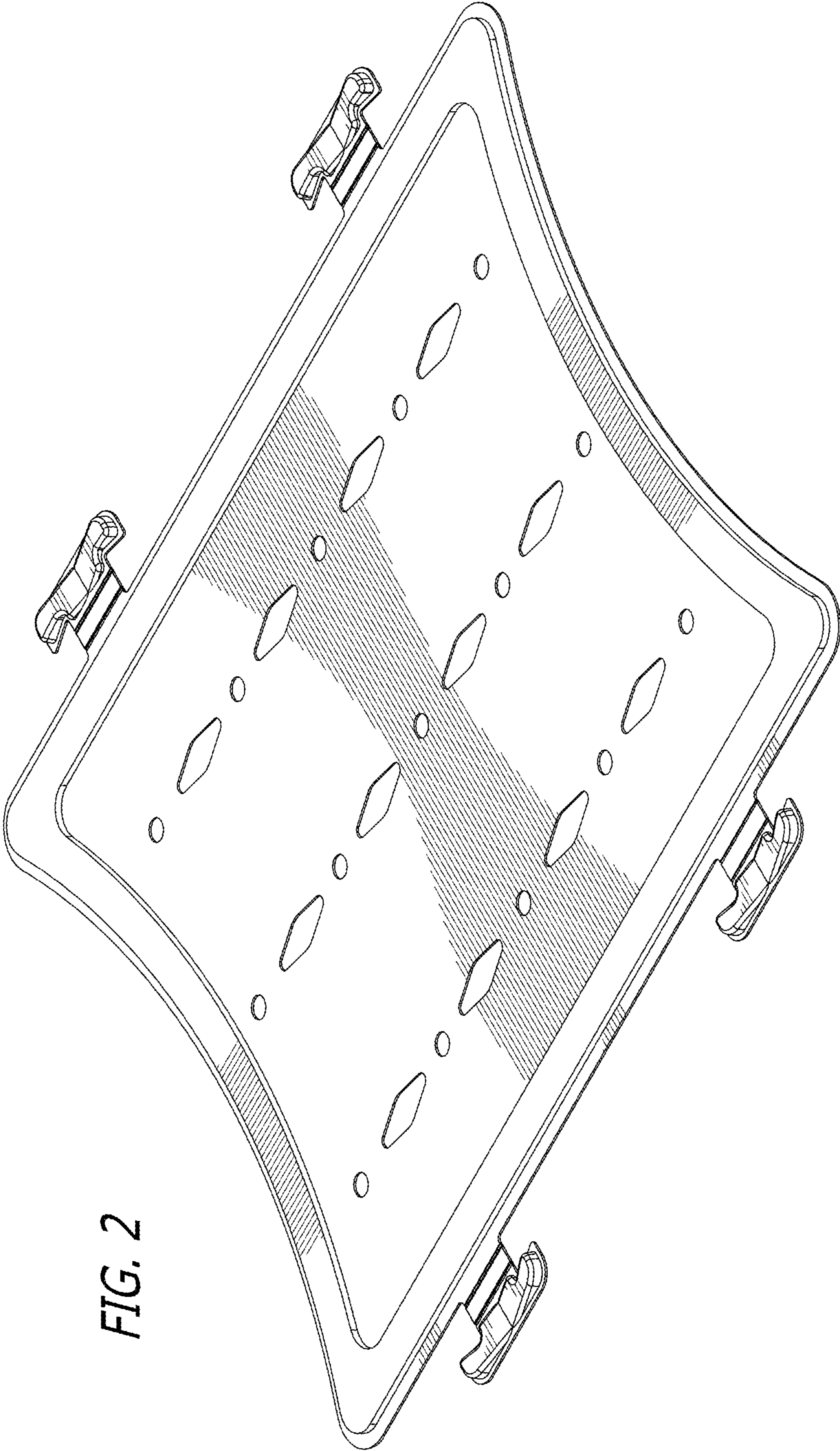


FIG. 2

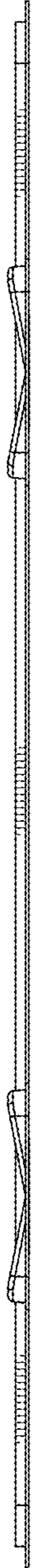


FIG. 3

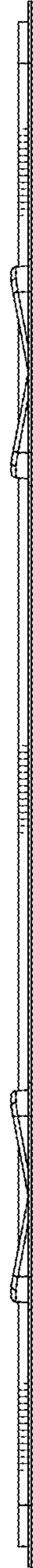


FIG. 4

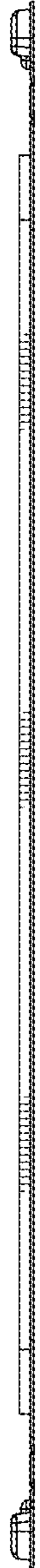


FIG. 5



FIG. 6

FIG. 7

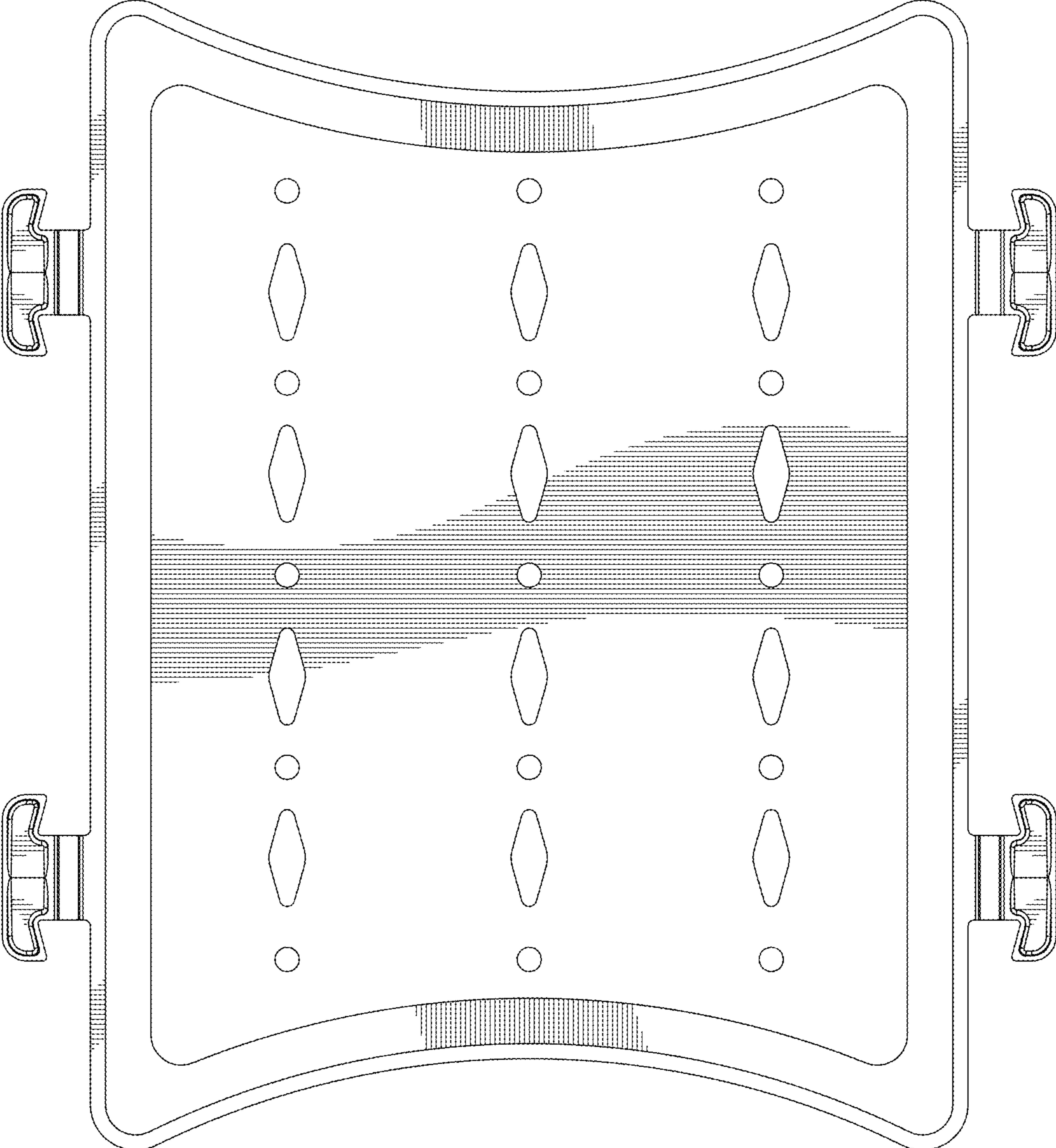


FIG. 8

