



US00D959261S

(12) **United States Design Patent**
Sheehan

(10) **Patent No.:** **US D959,261 S**

(45) **Date of Patent:** **** Aug. 2, 2022**

(54) **SET OF BOXES WITH PACKAGING**

(71) Applicant: **INNOVATIVE PRODUCTS**
INTERNATIONAL LLC, Denver, CO
(US)

(72) Inventor: **Michael P Sheehan**, Denver, CO (US)

(**) Term: **15 Years**

(21) Appl. No.: **29/697,991**

(22) Filed: **Jul. 12, 2019**

(51) **LOC (13) Cl.** **09-03**

(52) **U.S. Cl.**
USPC **D9/432**

(58) **Field of Classification Search**
USPC D9/414, 416, 424, 430, 432, 433, 503,
D9/721, 734; D3/272, 273, 302, 307;
D19/75, 106
CPC B65D 5/02; B65D 43/162; B65D 81/02;
B65D 81/3813; B65D 5/54; B65D
5/0227; B65D 5/4266

See application file for complete search history.

(56) **References Cited**

U.S. PATENT DOCUMENTS

715,026 A * 12/1902 Crawford B65D 5/36
229/117.05
1,777,716 A * 10/1930 Case B65D 5/4262
229/125.19
3,140,037 A * 7/1964 Baum B65D 5/28
229/125.19
3,342,401 A * 9/1967 Kitchell B65D 5/685
229/125.28
3,438,562 A * 4/1969 Wright B65D 5/0005
229/117.02
4,139,146 A * 2/1979 Bamberg B65D 5/28
229/194
D310,784 S * 9/1990 Forbes, Jr. D9/416
D315,098 S * 3/1991 Hutcheson D3/302

5,050,766 A * 9/1991 Groh B65D 5/0005
229/101
D365,023 S * 12/1995 Abrams D9/423
5,842,570 A * 12/1998 Turnbull B42F 15/0094
206/425

(Continued)

OTHER PUBLICATIONS

24 Pc BoxCar Toy Box Case: Site Visited [Jan. 25, 2021, online].
Available from Internet URL: https://www.amazon.com/BoxCar-Toy-Box-Case-Educational/dp/B07YP6HSKD/ref=sr_1_10?dchild=1&m=A1OB7WSPMV3LP3&qid=1611601452&s=merchant-items&sr=1-10.*

(Continued)

Primary Examiner — Catherine S Posthauer
(74) *Attorney, Agent, or Firm* — Reilly Intellectual
Property Law Firm

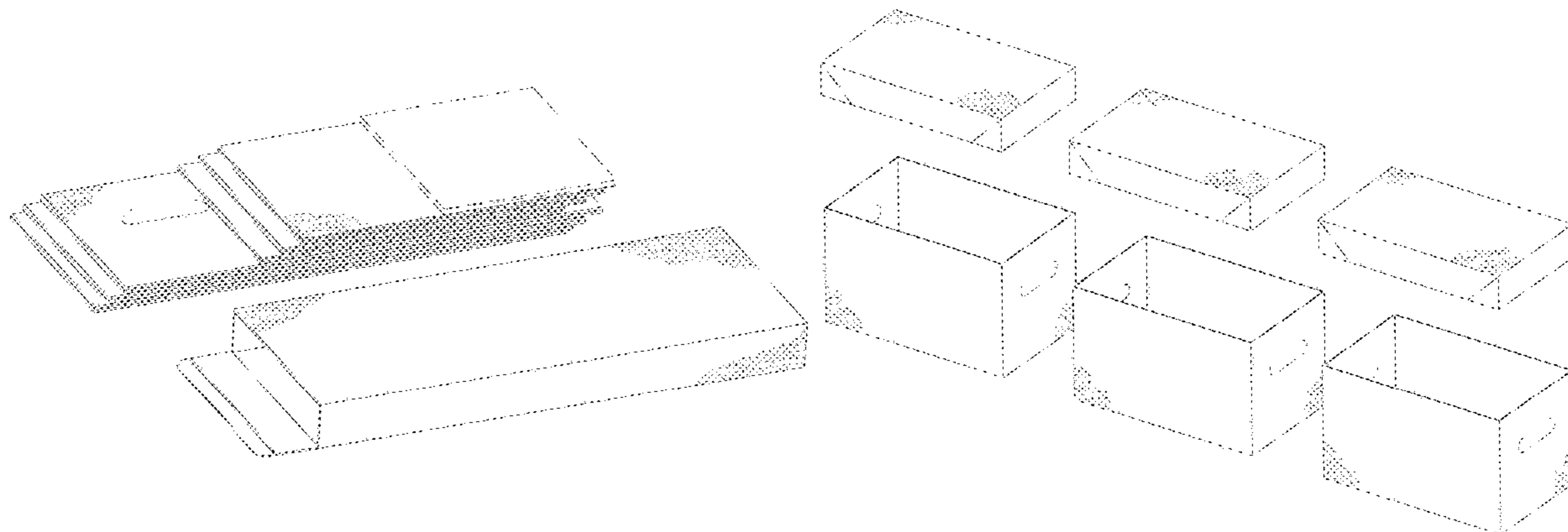
(57) **CLAIM**

The ornamental design for set of boxes with packaging, as shown and described.

DESCRIPTION

FIG. 1 is a perspective view of a set of boxes with packaging, showing the design;
FIG. 2 is an exploded view of FIG. 1;
FIG. 3 is a side bottom assembled view of a portion of FIG. 1;
FIG. 4 is a top view of a portion of FIG. 1;
FIG. 5 is a top assembled view of a set of boxes with packaging;
FIG. 6 is a side perspective view of FIG. 5;
FIG. 7 is a bottom assembled view of FIG. 6;
FIG. 8 is a side perspective view of FIG. 6;
FIG. 9 is an exploded view of FIG. 8;
FIG. 10 is a side view of FIG. 6; and,
FIG. 11 is an opposite view of FIG. 6.

(Continued)



The broken line portion of FIG. 2 is included to show environment that forms no part of the claim design. The dash-dot lines of FIGS. 1, 2, 3, and 8-11 represent unclaimed perforation lines.

1 Claim, 4 Drawing Sheets

(56)

References Cited

U.S. PATENT DOCUMENTS

D424,117 S * 5/2000 Steinbeck D19/75
 6,206,280 B1 * 3/2001 Thresher B65D 5/5435
 229/145
 6,705,515 B2 * 3/2004 Dowd B65D 5/10
 229/182
 D587,997 S * 3/2009 Gross D9/432
 D673,368 S * 1/2013 Scott D3/304
 D740,564 S * 10/2015 Scott D3/304
 D740,656 S * 10/2015 Stewart D9/432
 9,487,323 B2 * 11/2016 Yamamura B65D 5/6614
 D792,762 S * 7/2017 Meneaud D9/433
 D840,806 S * 2/2019 Bourke D9/432
 D844,327 S * 4/2019 Valks D3/290
 D850,253 S * 6/2019 Mason D9/432

D854,830 S * 7/2019 Criste D3/302
 D860,309 S * 9/2019 Tsai D19/26
 D861,484 S * 10/2019 Patel D9/432
 D867,875 S * 11/2019 Greenfeld D9/432
 D877,614 S * 3/2020 Sollie D9/432
 D880,294 S * 4/2020 Gleason D9/432
 D885,177 S * 5/2020 Sevšek D9/431
 10,661,941 B2 * 5/2020 Genender B65D 5/3678
 D892,632 S * 8/2020 Bogdziewicz D9/737
 D900,629 S * 11/2020 Milos D9/703
 2010/0314437 A1 * 12/2010 Dowd B65D 5/001
 229/185.1
 2012/0241509 A1 * 9/2012 Pettersson B65D 5/3621
 229/117.16

OTHER PUBLICATIONS

Easylift Storage Box: Announced [Feb. 25, 2017, online]. Site Visited [Jan. 25, 2021, online]. Available from Internet URL: <https://www.amazon.com/Easylift-Storage-Box-Letter-Lift-Off/dp/B01LDTRL9O> (Year: 2017).*

Bankers Box STOR/FILE Storage Boxes: Announced [Jan. 1, 2016, online]. Site Visited [Jan. 25, 2021, online]. Available from Internet URL: <https://www.amazon.com/Bankers-Storage-Standard-Lift-Off-57036-04/dp/B000XPAIV8> (Year: 2016).*

* cited by examiner

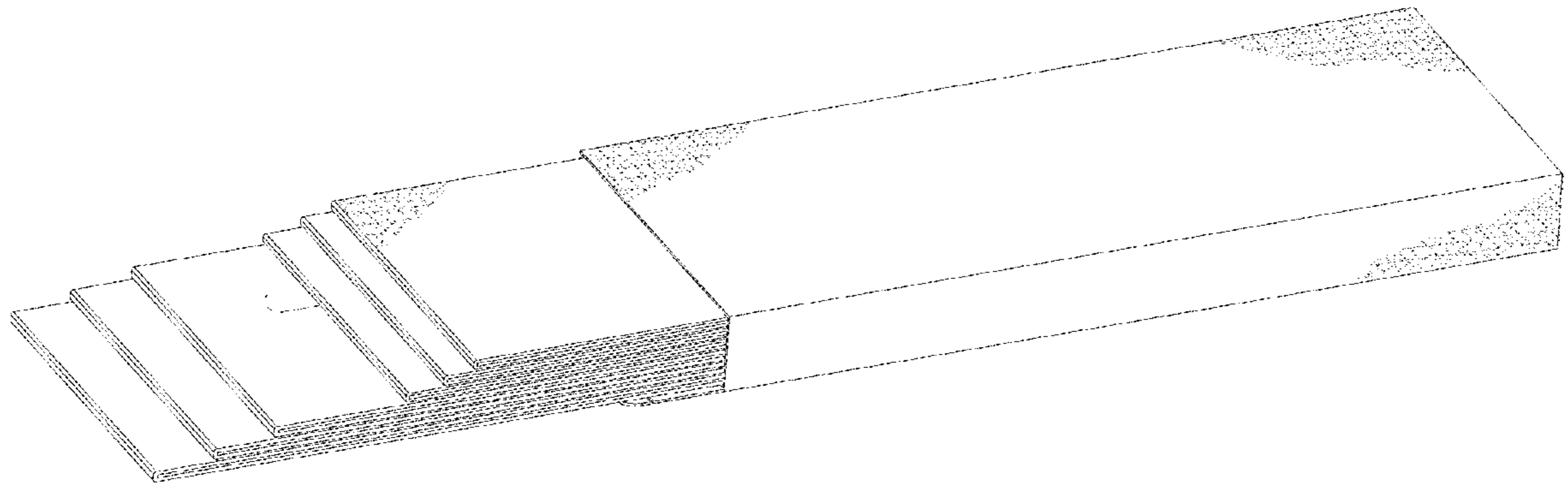


Fig. 1

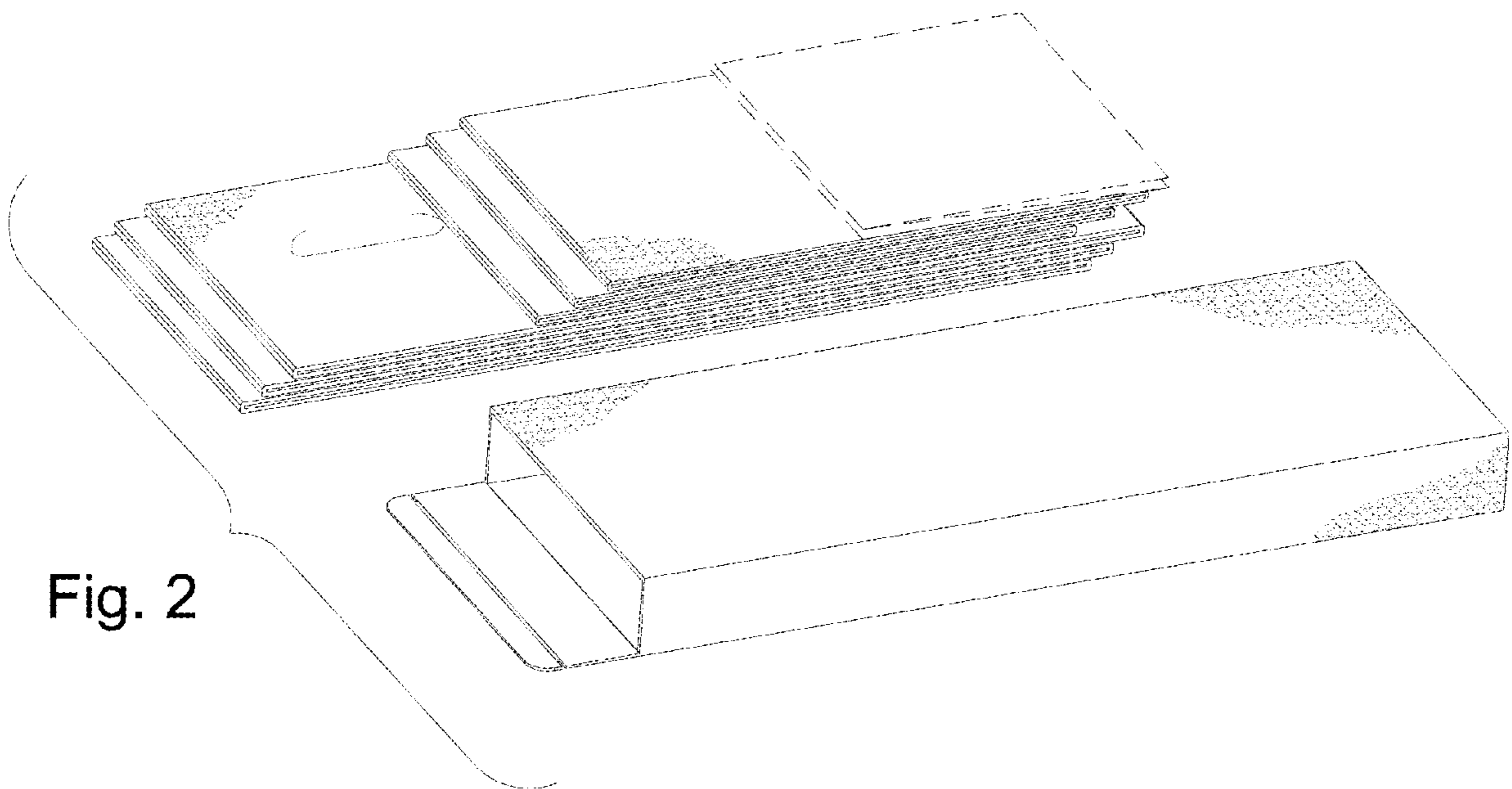


Fig. 2

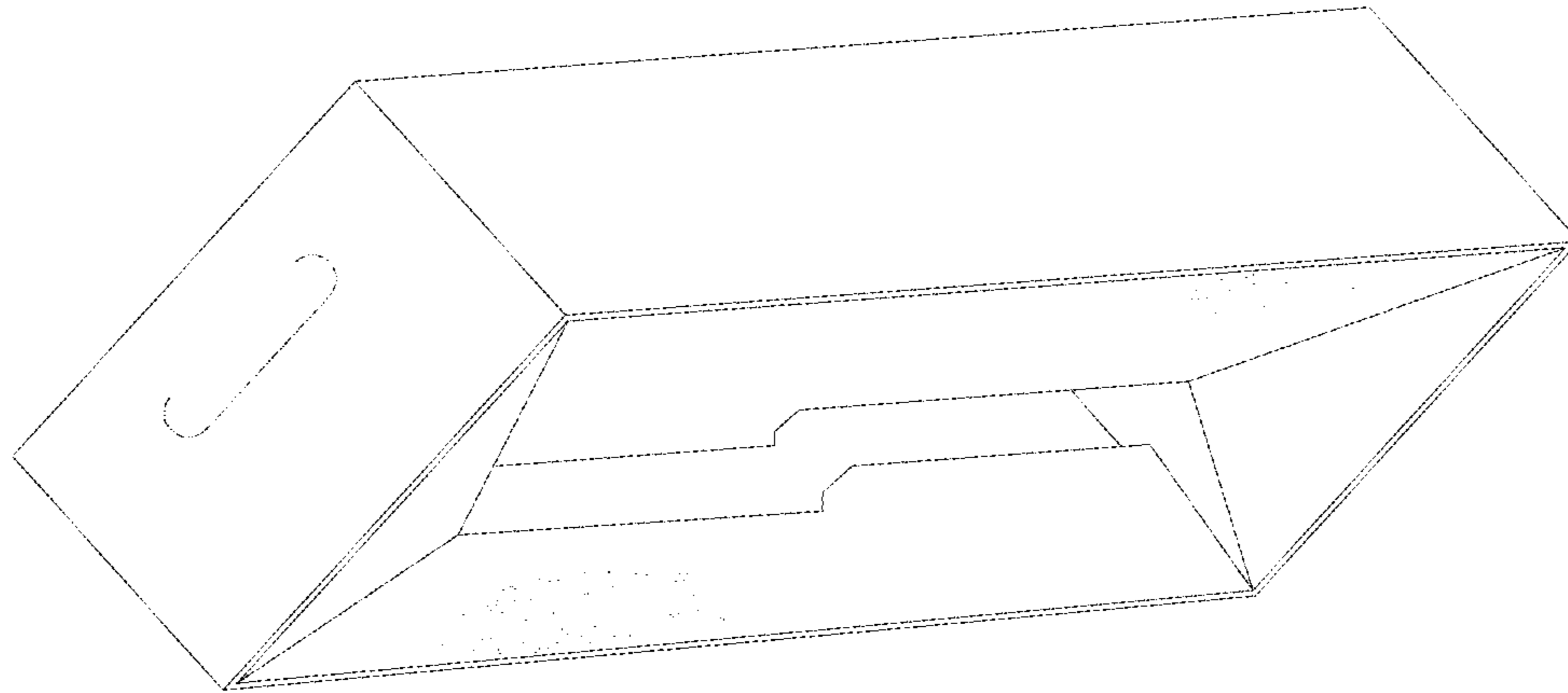


Fig. 3

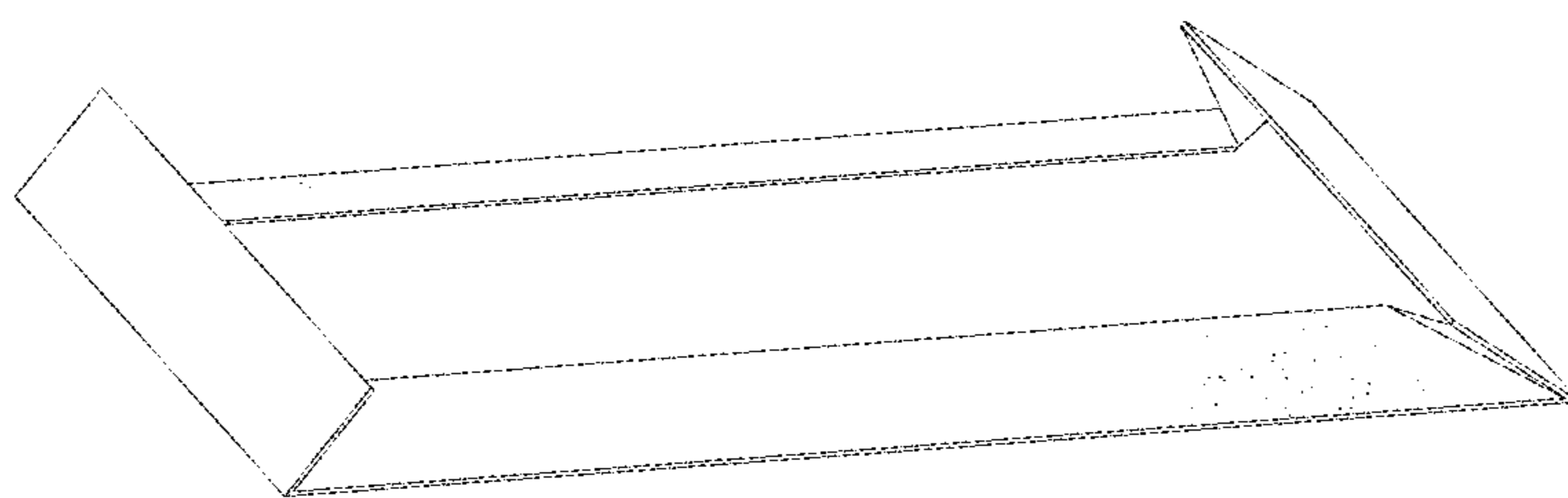


Fig. 4

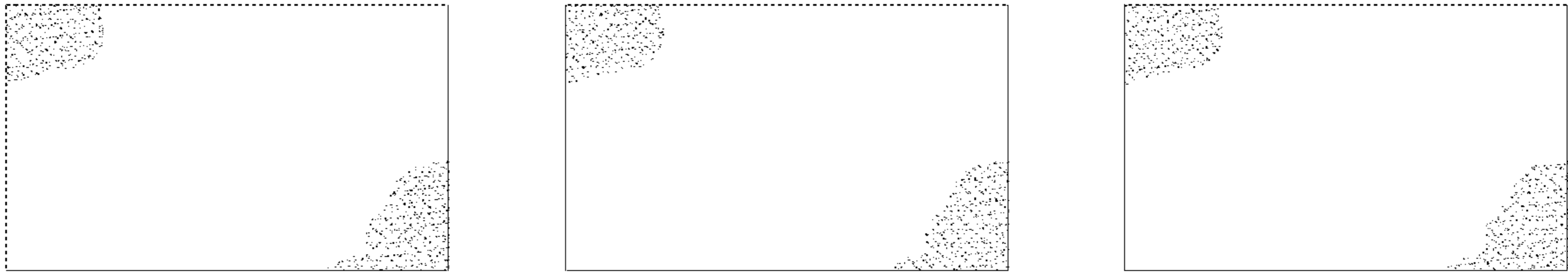


Fig. 5

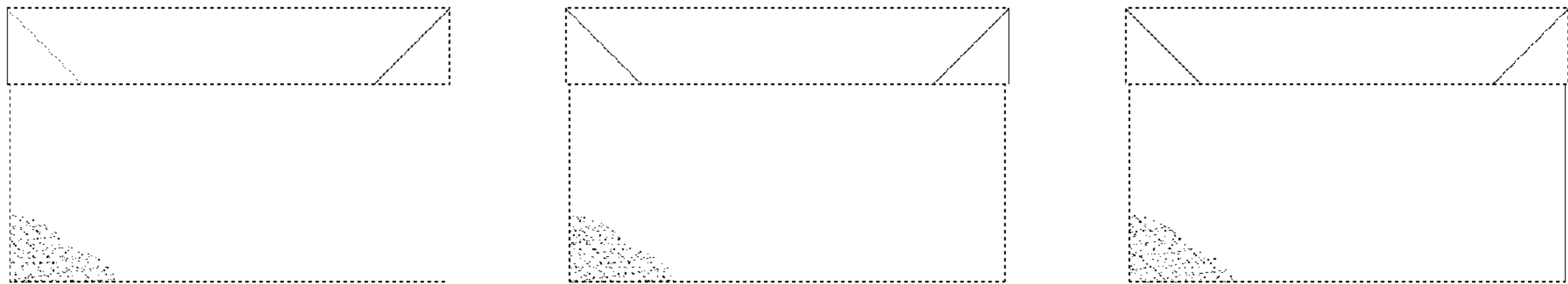


Fig. 6

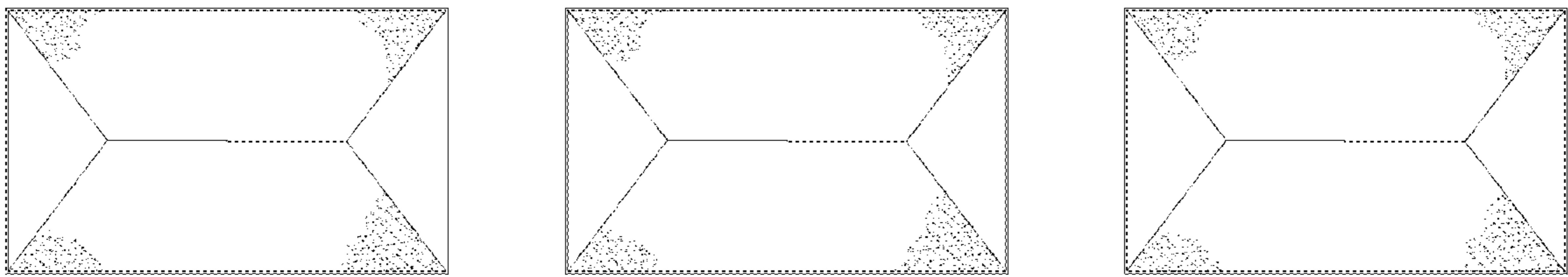


Fig. 7

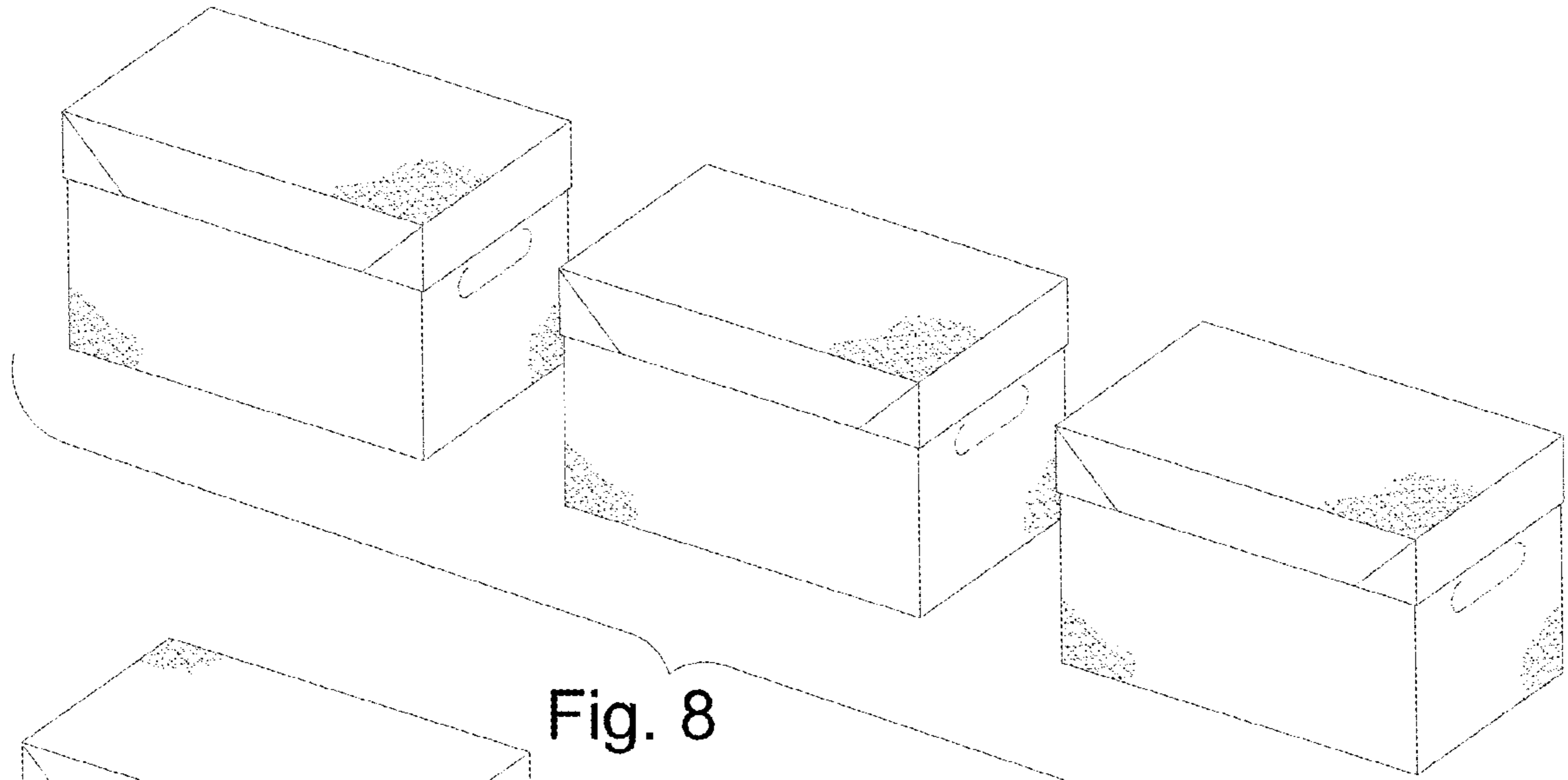


Fig. 8

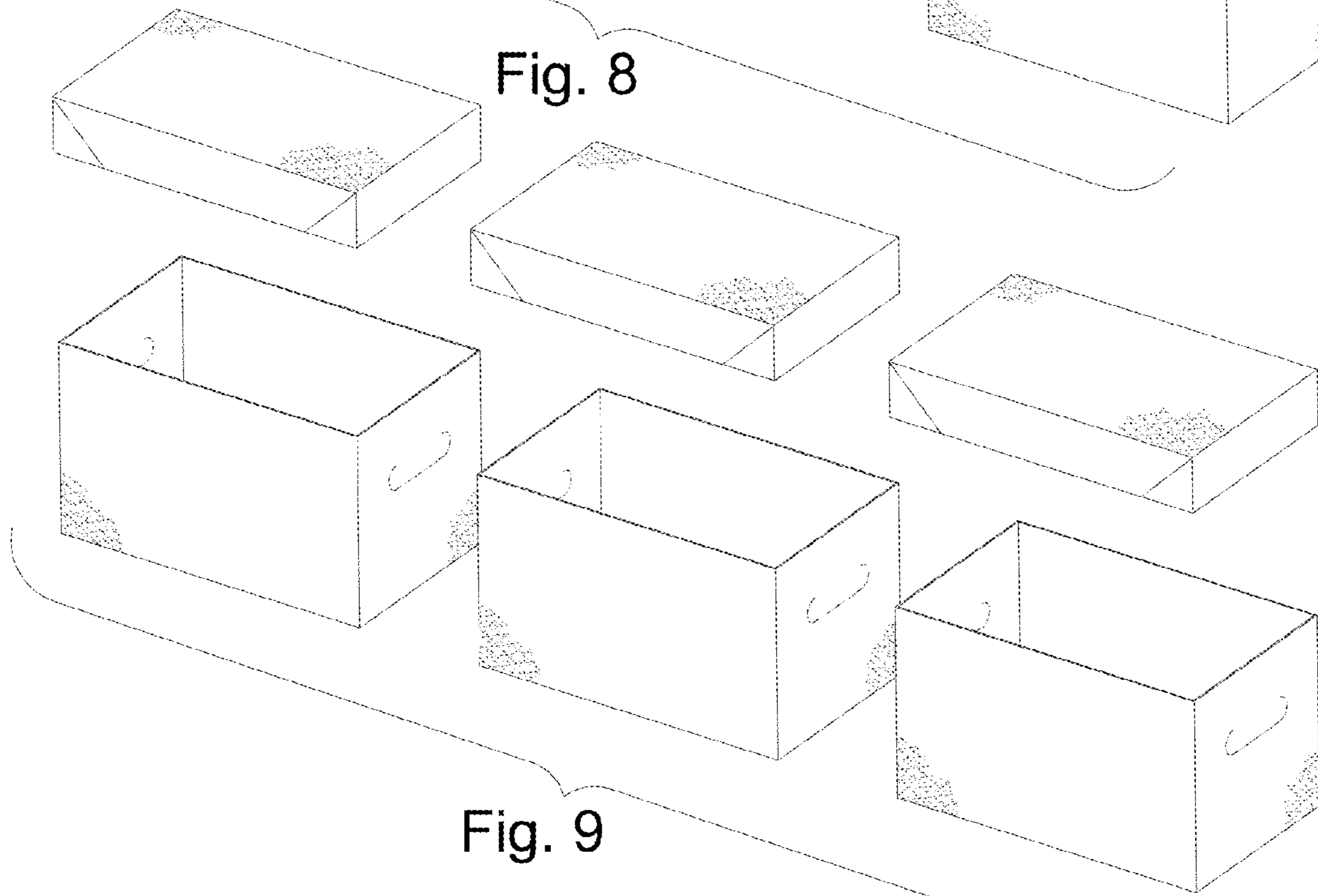


Fig. 9

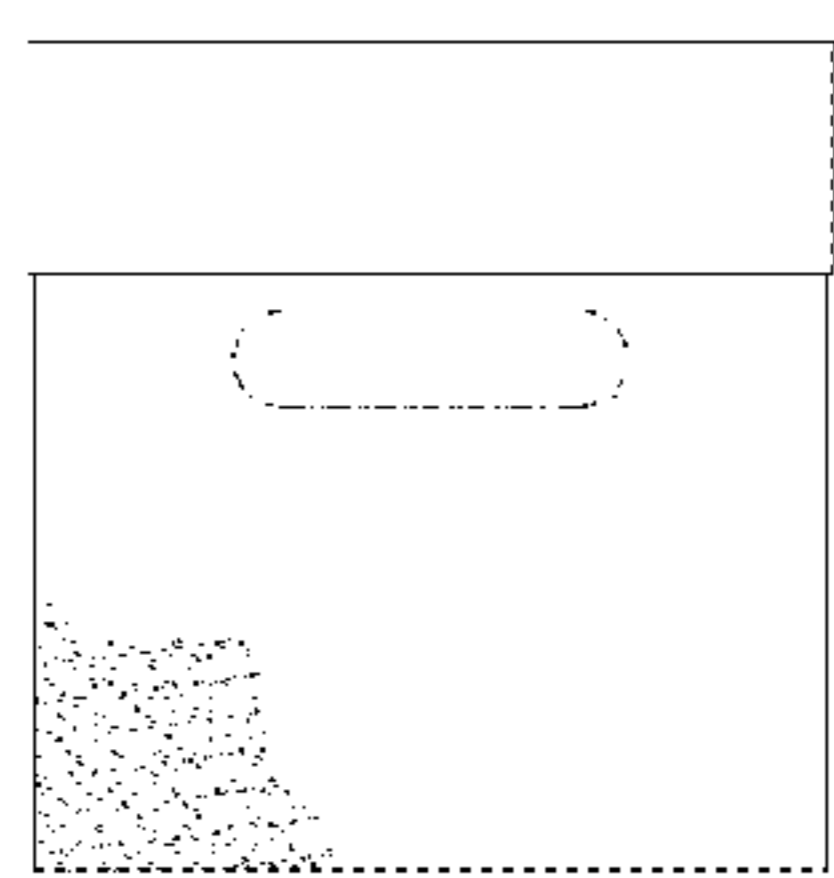


Fig. 10

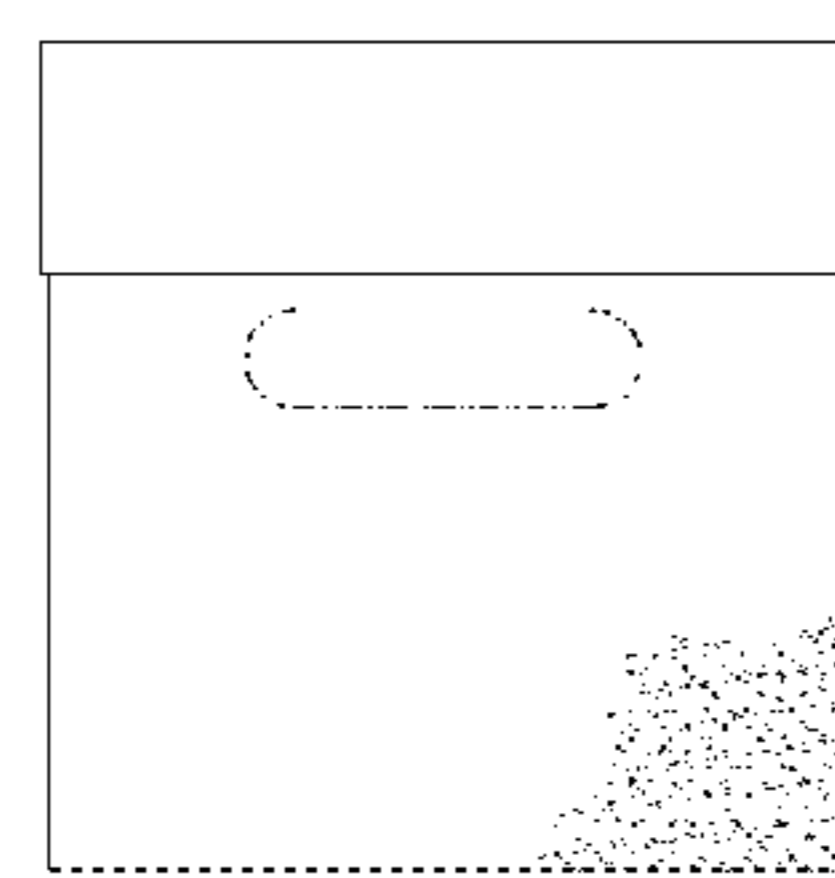


Fig. 11