



US00D959259S

(12) **United States Design Patent**
Whitehurst

(10) **Patent No.:** **US D959,259 S**
(45) **Date of Patent:** **** Aug. 2, 2022**

(54) **PACKAGE**

(71) Applicant: **BURGOPAK LIMITED**, London (GB)

(72) Inventor: **Dane Whitehurst**, London (GB)

(73) Assignee: **BURGOPAK LIMITED**, London (GB)

(**) Term: **15 Years**

(21) Appl. No.: **29/697,888**

(22) Filed: **Jul. 11, 2019**

(30) **Foreign Application Priority Data**

Jan. 11, 2019 (EM) 005997004-0001

Jan. 11, 2019 (EM) 005997004-0002

(51) **LOC (13) Cl.** **09-03**

(52) **U.S. Cl.**
USPC **D9/414**

(58) **Field of Classification Search**

USPC D9/414-416, 432, 631, 703, 421, 702,
D9/711, 517, 419, 456, 423, 420;
D6/515; D10/106.9; D21/480; D28/83;
D1/102; D19/86

CPC B65D 63/10

See application file for complete search history.

(56) **References Cited**

U.S. PATENT DOCUMENTS

D465,305 S * 11/2002 Thorpe D28/83
D503,884 S * 4/2005 Camilleri-Oller D9/419
D548,074 S * 8/2007 El-Afandi D9/416
D553,986 S * 10/2007 Berger D9/456
D564,926 S * 3/2008 Cherneff D10/106.9
D574,281 S * 8/2008 Cherneff D10/106.9
D613,171 S * 4/2010 Sempe D9/517
D619,477 S * 7/2010 Frizell D9/702
7,926,656 B2 * 4/2011 Hinds B65D 63/10
206/459.1

D700,524 S * 3/2014 Ferriter D9/711
D719,845 S * 12/2014 Lee D9/702
D740,649 S * 10/2015 Evans D9/414
D750,478 S * 3/2016 Kiss D9/423
D766,713 S * 9/2016 Kiss D9/421
D768,476 S * 10/2016 Moilanen D9/419
D768,478 S * 10/2016 Glass D9/432
D770,299 S * 11/2016 Andrews D9/631
D799,852 S * 10/2017 Pena D6/515
D810,562 S * 2/2018 Augustyniak D9/432
D830,848 S * 10/2018 Sale D9/703
D844,714 S * 4/2019 Witze D21/480
D845,759 S * 4/2019 Arzano D9/432
D855,457 S * 8/2019 D'Agnone D9/432

(Continued)

Primary Examiner — Rhea Shields

(74) *Attorney, Agent, or Firm* — Stoel Rives LLP

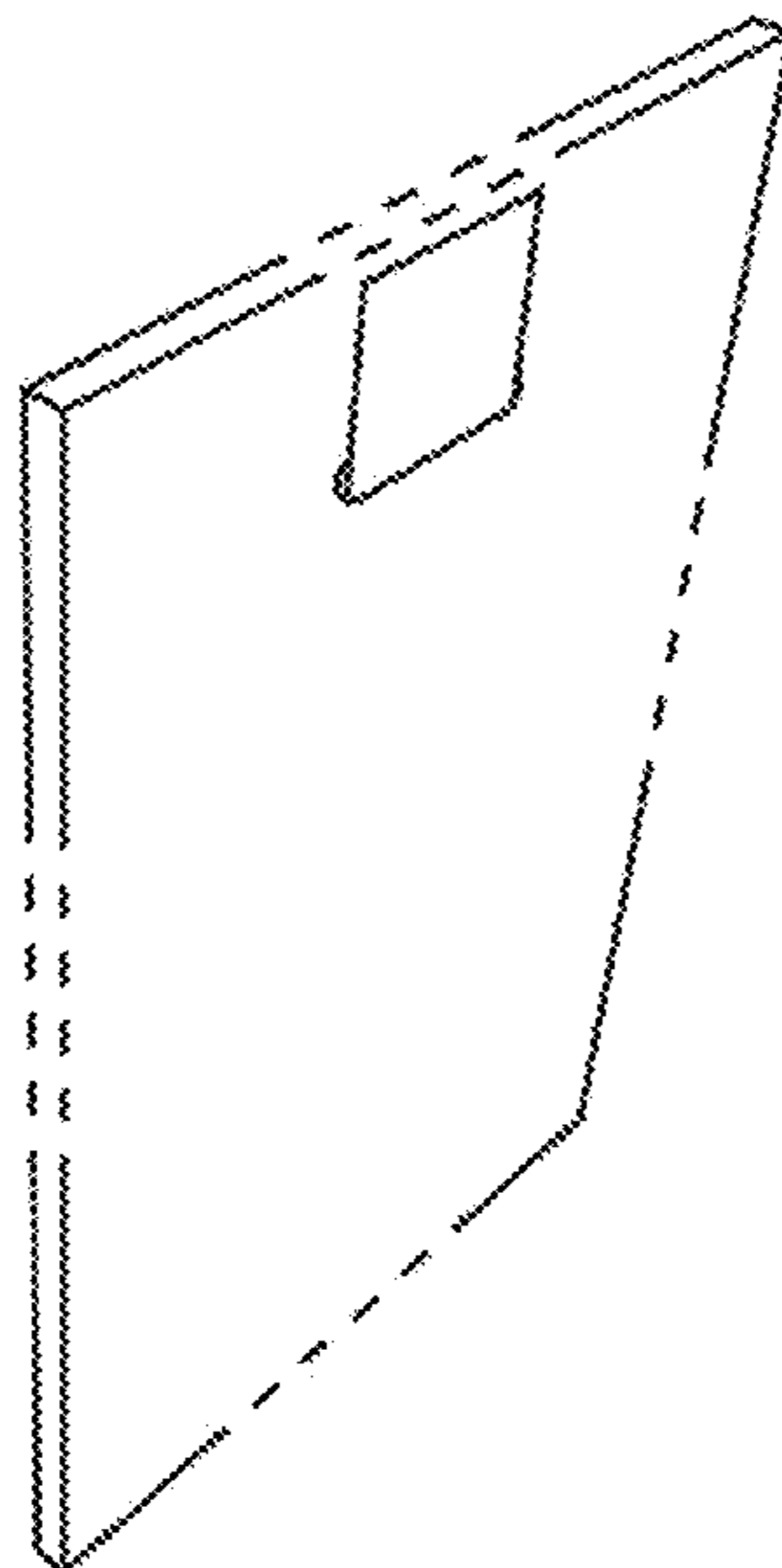
(57) **CLAIM**

I claim the ornamental design for a package, as shown and described.

DESCRIPTION

FIG. 1 is a front plan view of a package with a pull in a retracted state according to my new design, with the rear of the package being flat and unornamented;
FIG. 2 is a front perspective view thereof;
FIG. 3 is a front plan view of the package of FIG. 1 with the pull in an upward and partially extended state;
FIG. 4 is a front perspective view of the package of FIG. 3;
FIG. 5 is a front plan view of the package of FIG. 1 with the pull in an upward and fully extended state;
FIG. 6 is a front perspective view of the package of FIG. 5; and,
FIG. 7 is a front perspective view of the package with the pull in a downward and fully extended state.
The broken lines in the figures depict unclaimed portions of the package only and form no part of the claimed design.

1 Claim, 7 Drawing Sheets



(56)

References Cited

U.S. PATENT DOCUMENTS

D866,312 S	*	11/2019	Ito	D9/416
D866,322 S	*	11/2019	Bennett	D9/432
D874,921 S	*	2/2020	Zhao	D9/420
D887,106 S	*	6/2020	Karp	D1/102
D889,957 S	*	7/2020	Solling	D9/420
D908,794 S	*	1/2021	Houle	D19/86
D909,862 S	*	2/2021	Gray	D9/416
D913,785 S	*	3/2021	Kelly	D9/432
D915,677 S	*	4/2021	Pan	D28/83

* cited by examiner

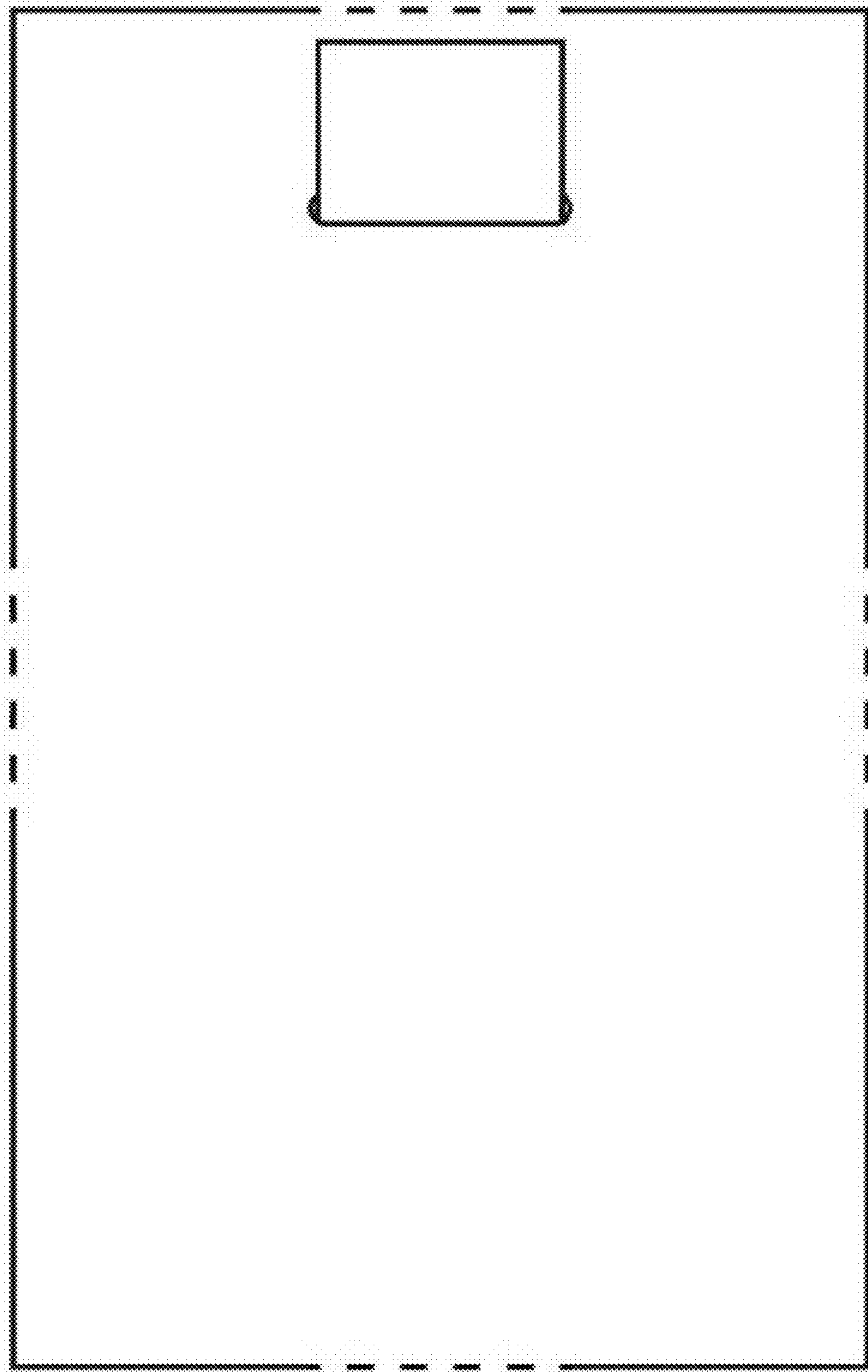


FIG. 1

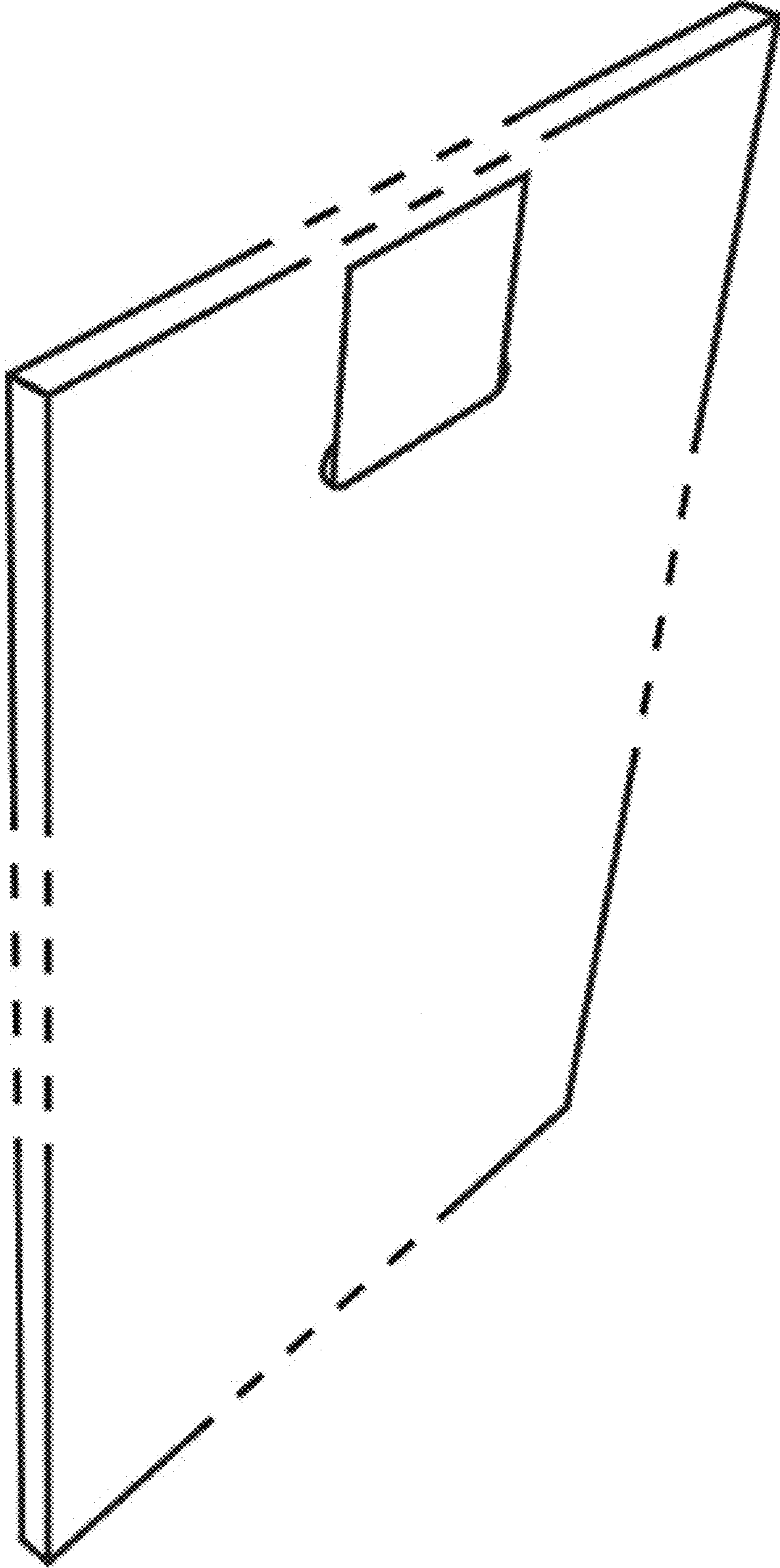


FIG. 2

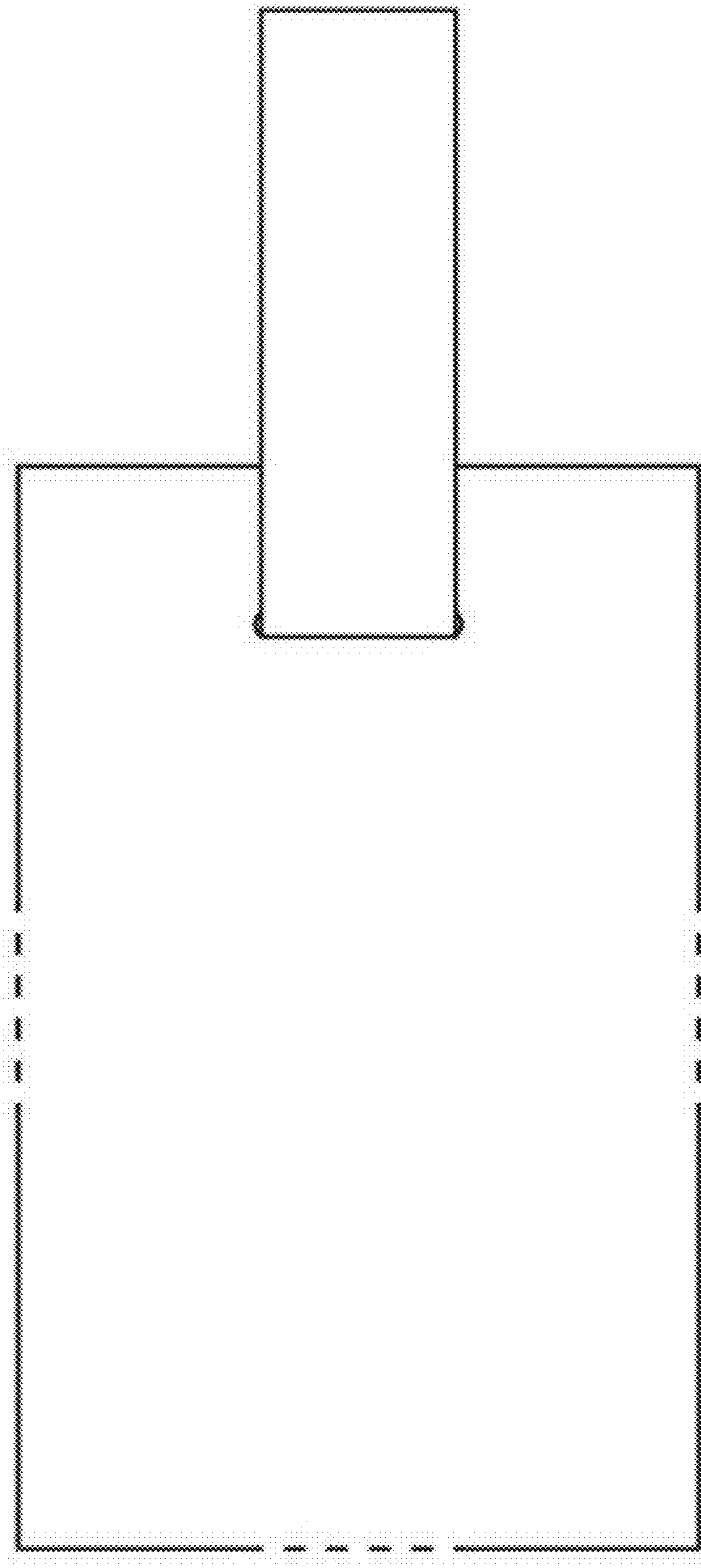


FIG. 3

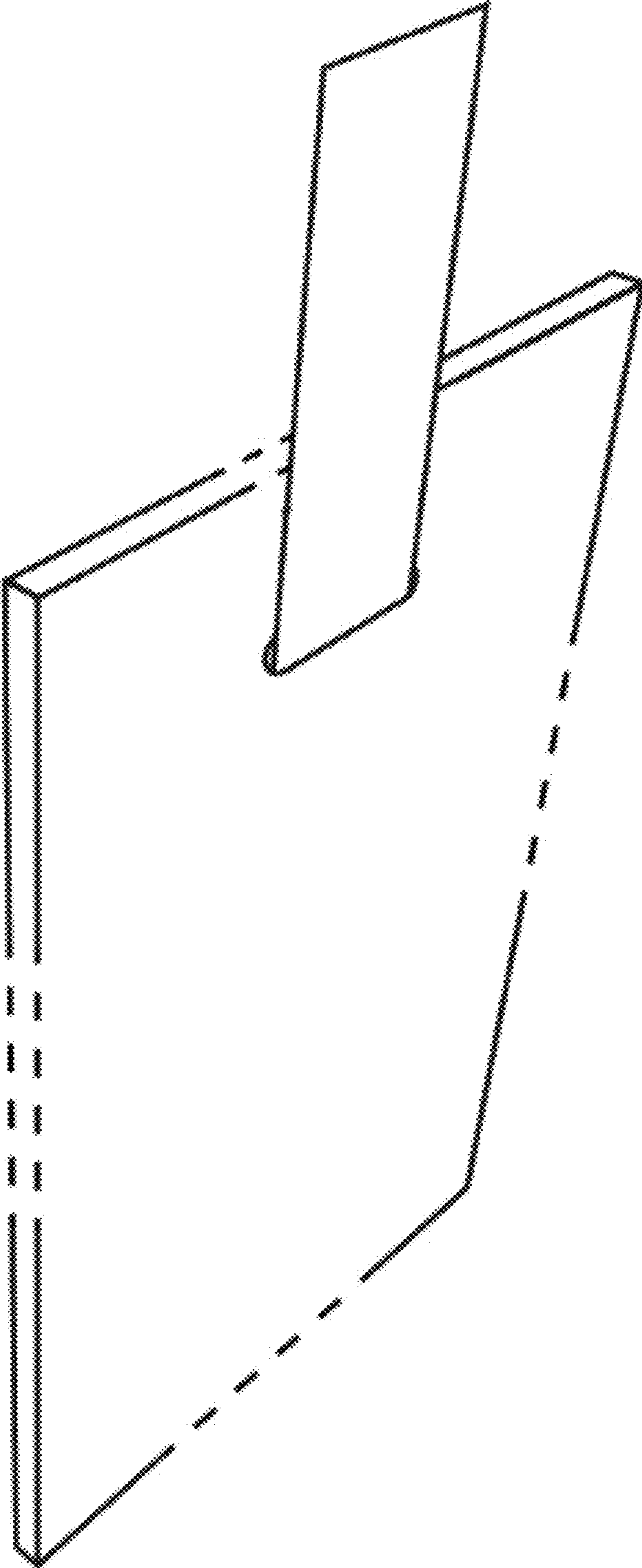


FIG. 4

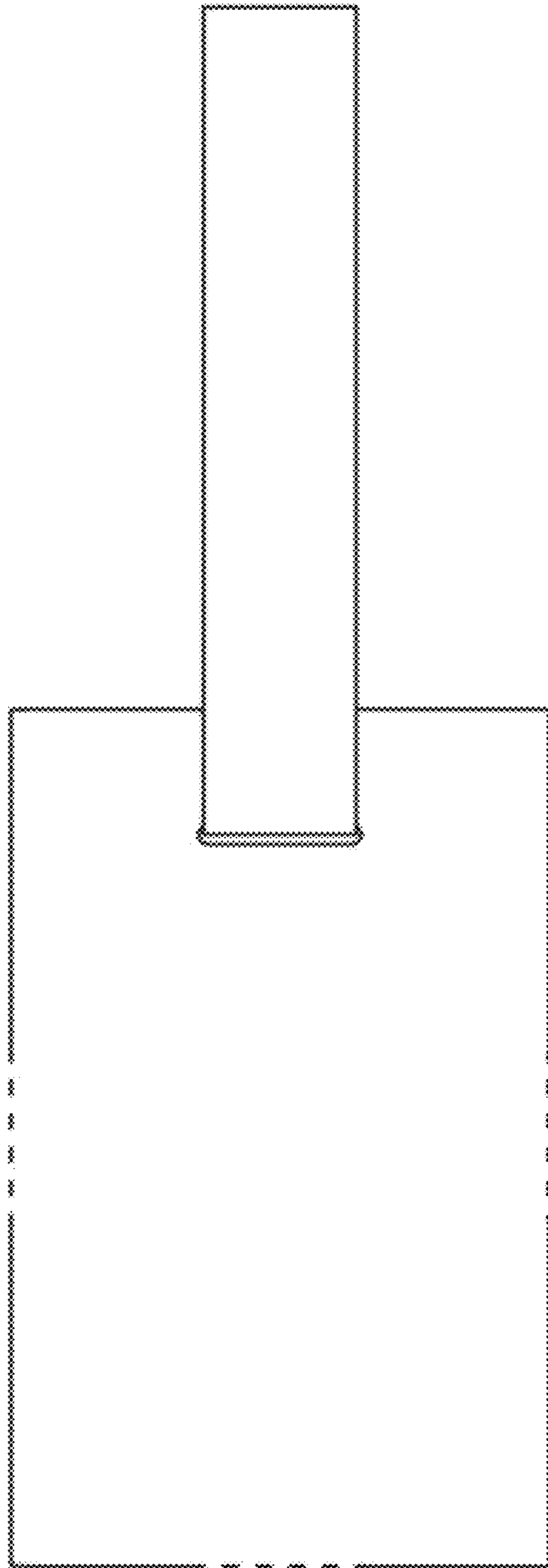


FIG. 5

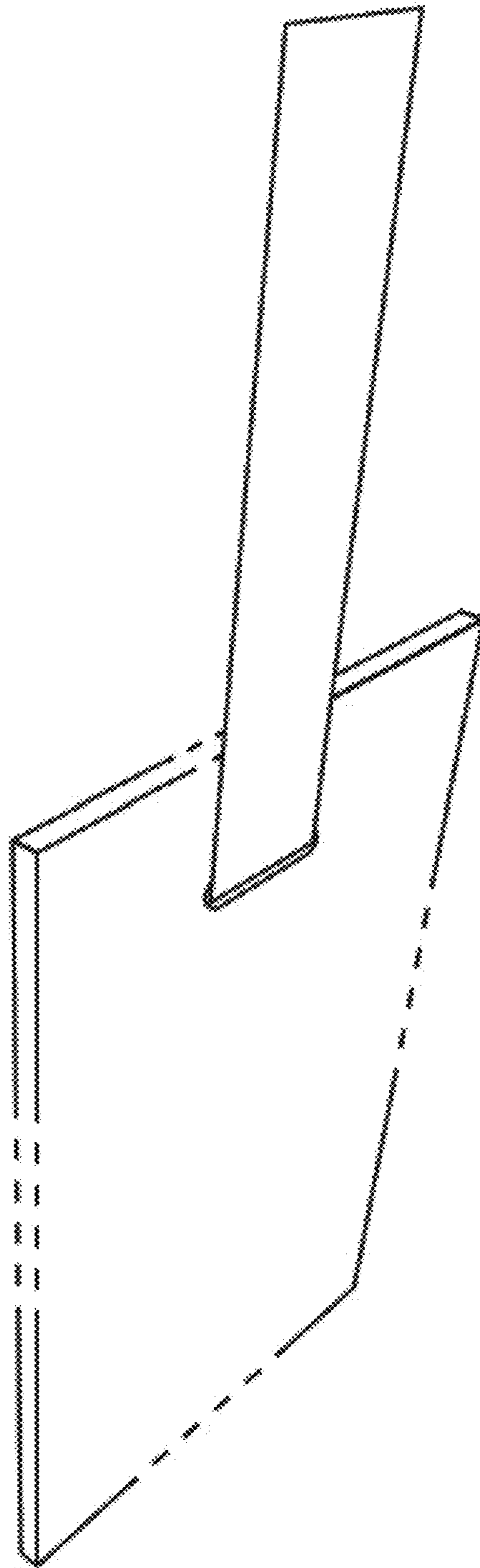


FIG. 6

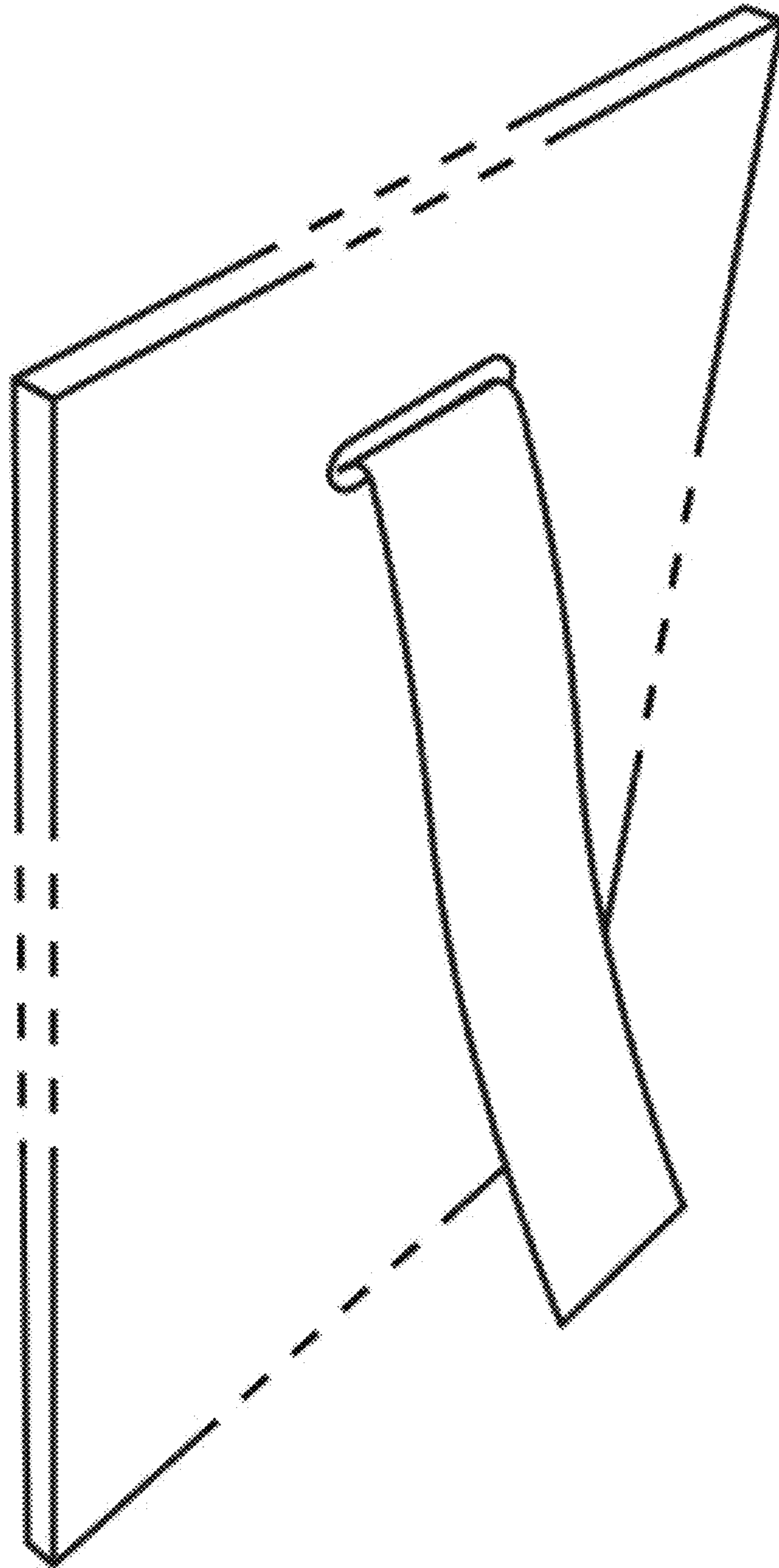


FIG. 7