



US00D959258S

(12) **United States Design Patent**
Kowalczuk

(10) **Patent No.:** **US D959,258 S**

(45) **Date of Patent:** **** Aug. 2, 2022**

(54) **DOOR STOP**

(71) Applicant: **Alligator Door Stops Pty Ltd**, Manly (AU)

(72) Inventor: **Karl Kowalczuk**, Manly (AU)

(73) Assignee: **ALLIGATOR DOOR STOPS PTY LTD**, Manly (AU)

(**) Term: **15 Years**

(21) Appl. No.: **29/741,834**

(22) Filed: **Jul. 16, 2020**

(51) **LOC (13) Cl.** **08-09**

(52) **U.S. Cl.**
USPC **D8/402**

(58) **Field of Classification Search**
USPC D8/336, 349, 353, 354, 355, 367, 373, D8/402, 380, 382, 383, 394, 396
CPC E05C 17/443
See application file for complete search history.

(56) **References Cited**

U.S. PATENT DOCUMENTS

D58,219 S *	6/1921	Dalitz	D8/382
D305,403 S *	1/1990	Johnson	D8/344
D372,190 S *	7/1996	Price	D8/402
D686,490 S *	7/2013	Lozano	D8/402
9,644,407 B1 *	5/2017	Abramovits	E05C 17/54

D857,483 S *	8/2019	Bevier	D8/402
D920,091 S *	5/2021	Abramovits	D8/402
2014/0312634 A1 *	10/2014	Cushwa, Jr.	E05C 19/184 292/340
2015/0240541 A1 *	8/2015	Tellarini	E05C 17/54 16/82
2018/0002956 A1 *	1/2018	Tran	E05C 17/50
2022/0042358 A1 *	2/2022	Gordon	E05C 17/02

* cited by examiner

Primary Examiner — Keli L Hill

Assistant Examiner — Harold E Blackwell, II

(74) *Attorney, Agent, or Firm* — Aidenbaum Schloff and Bloom PLLC; Jay Schloff

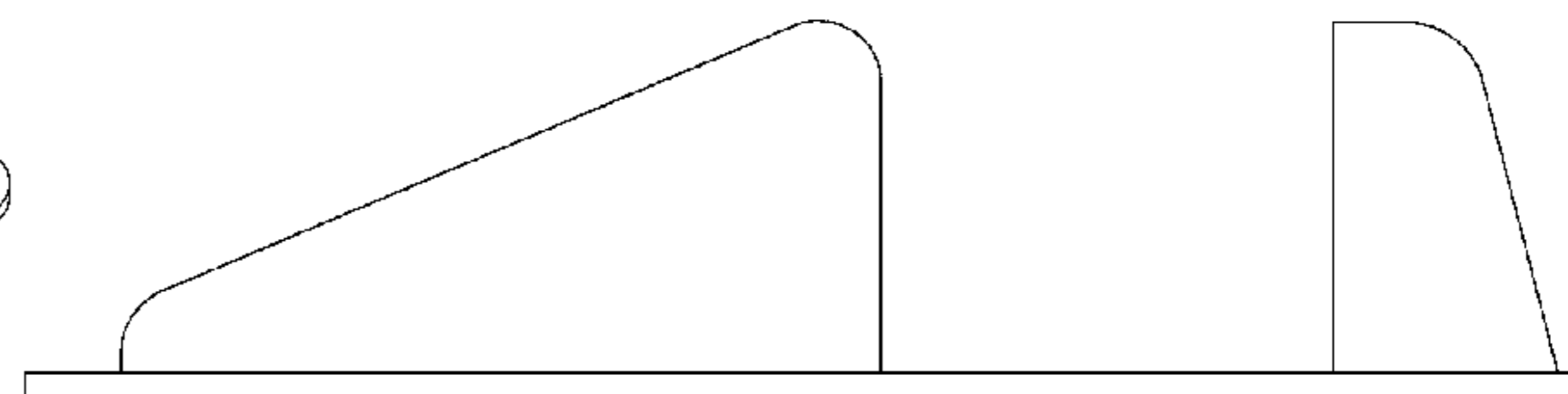
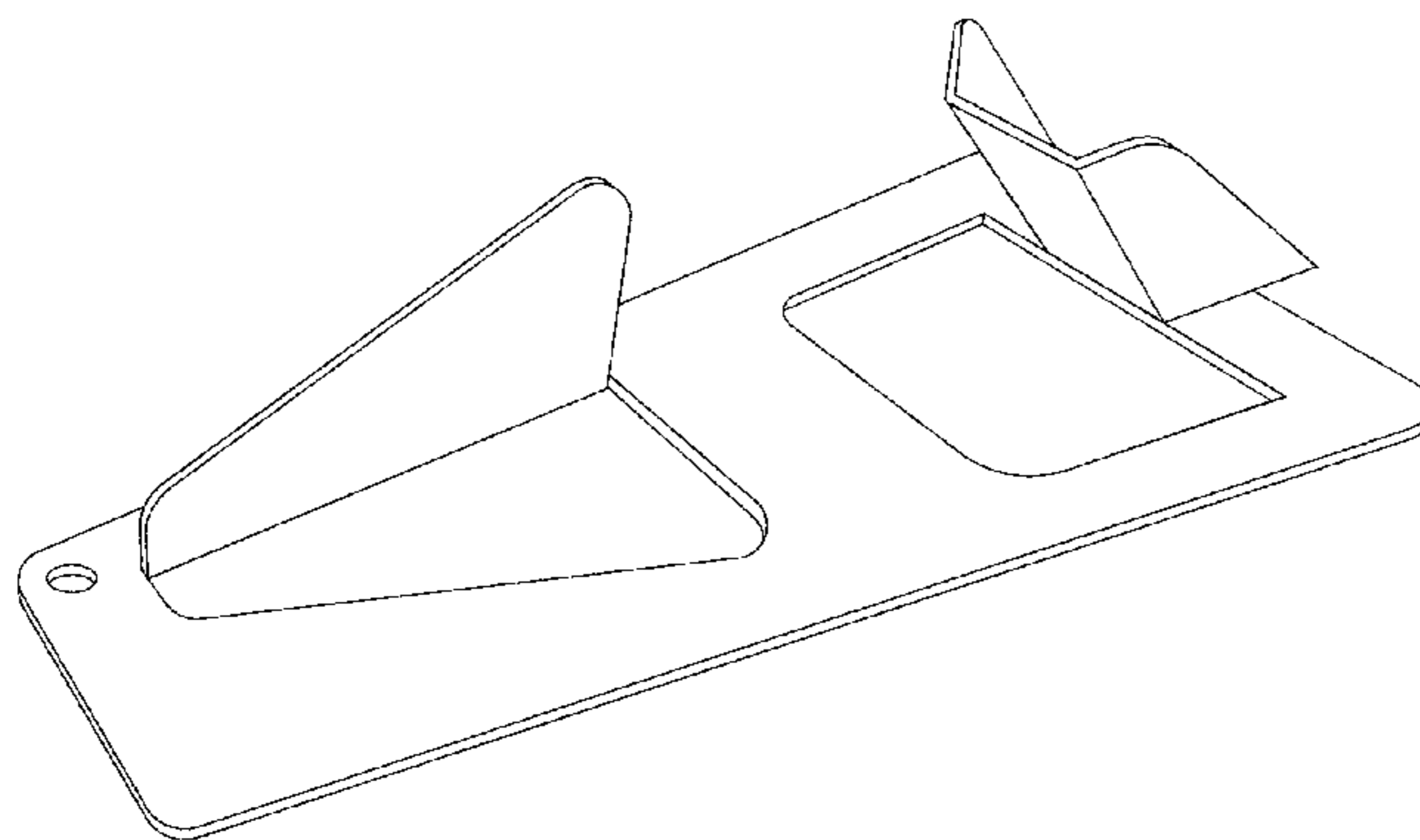
(57) **CLAIM**

The ornamental design for a door stop, as shown and described.

DESCRIPTION

FIG. 1 shows a three-quarter perspective view of a door stop;
FIG. 2 shows an upper perspective view of a door;
FIG. 3 shows a side view of a door stop in an open position;
FIG. 4 shows another side view of a door stop in an open position;
FIG. 5 shows an overhead perspective view of a door stop in a closed position; and,
FIG. 6 shows an underside perspective view of a door stop in a closed position.

1 Claim, 6 Drawing Sheets



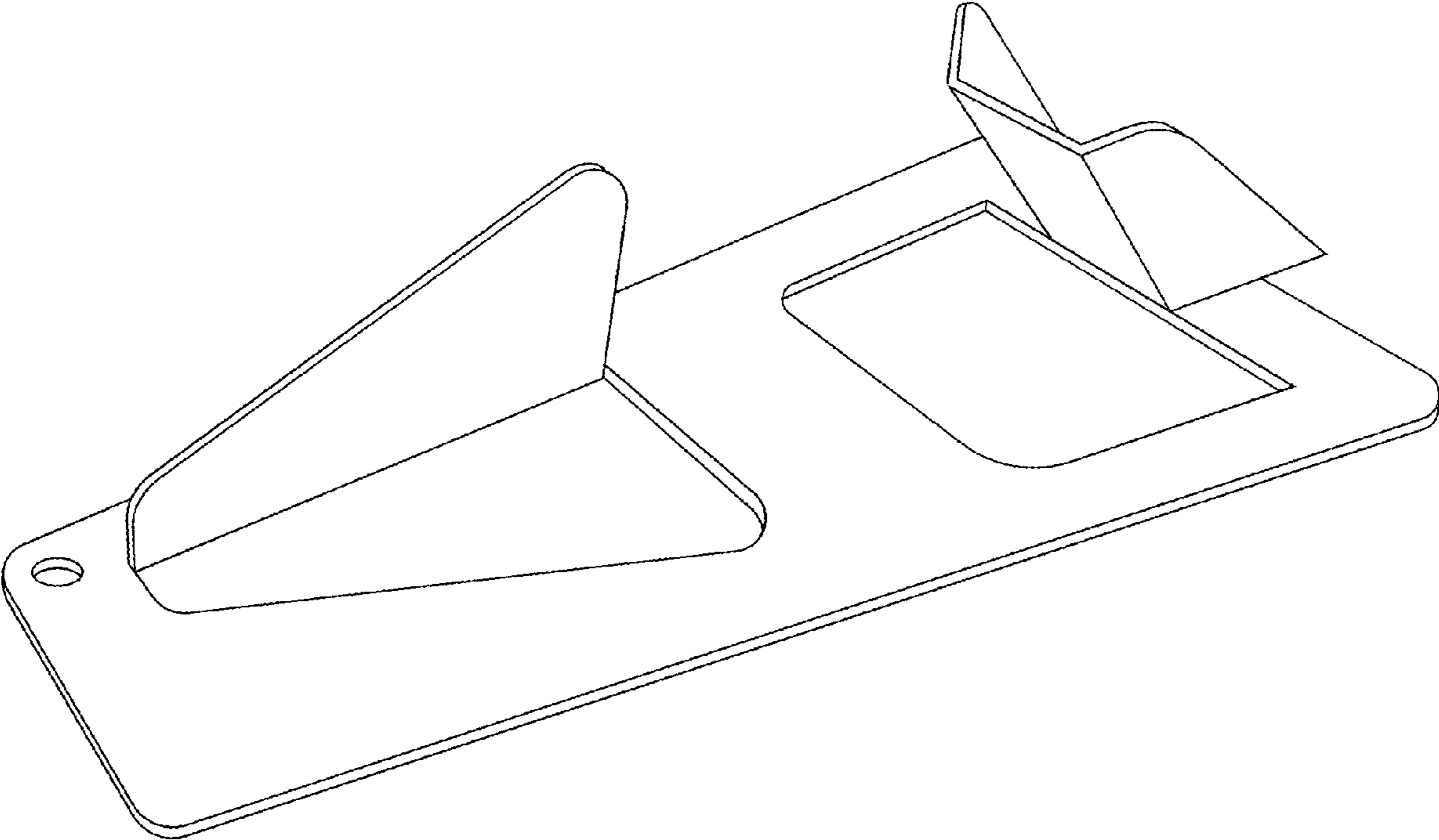


Figure 1

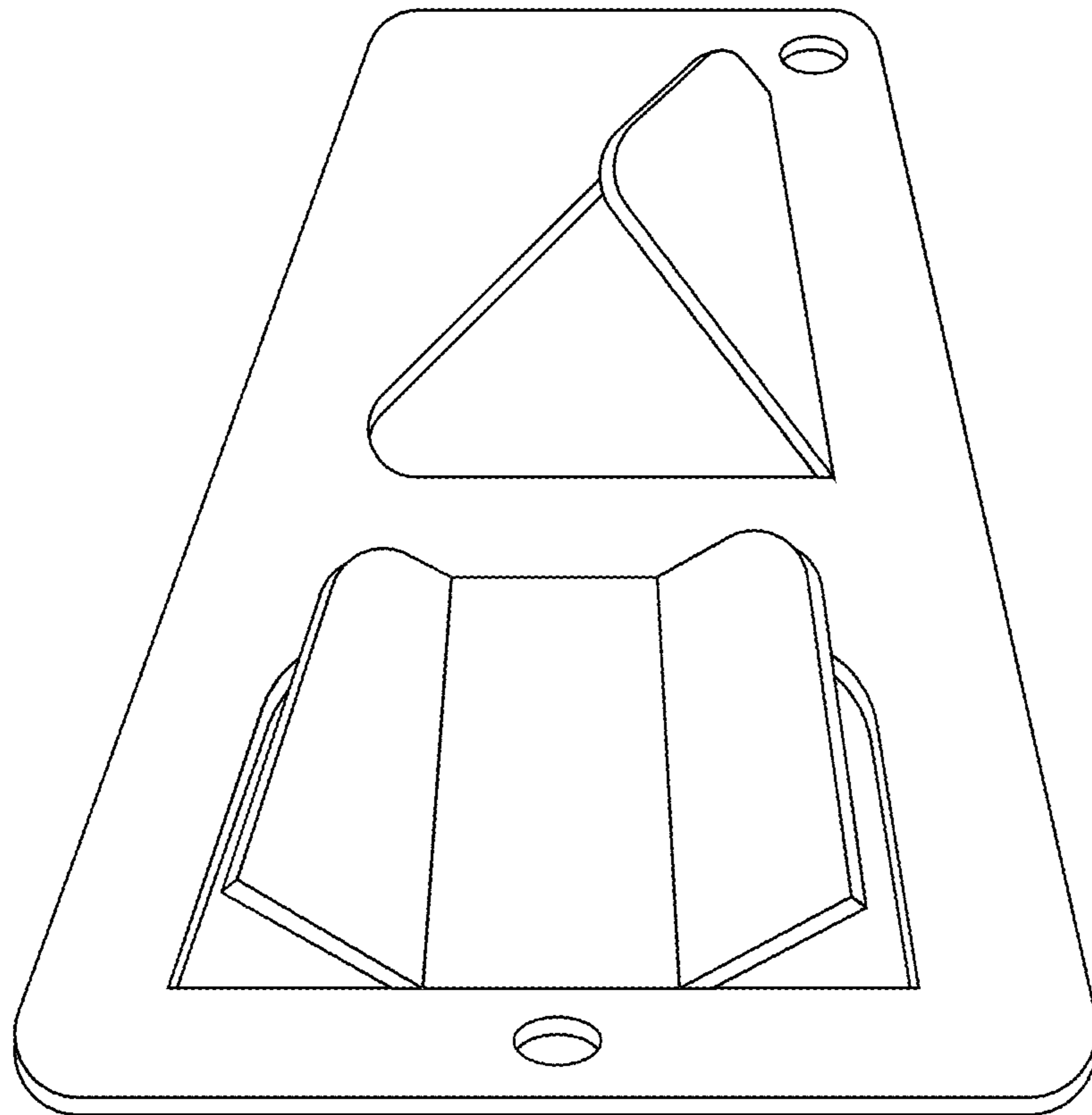


Figure 2

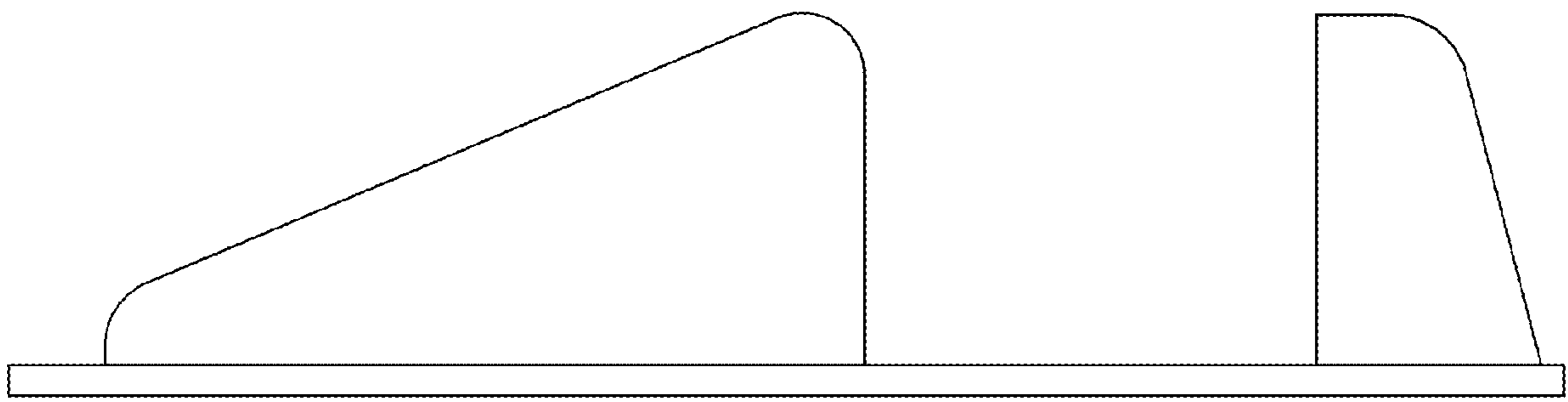


Figure 3

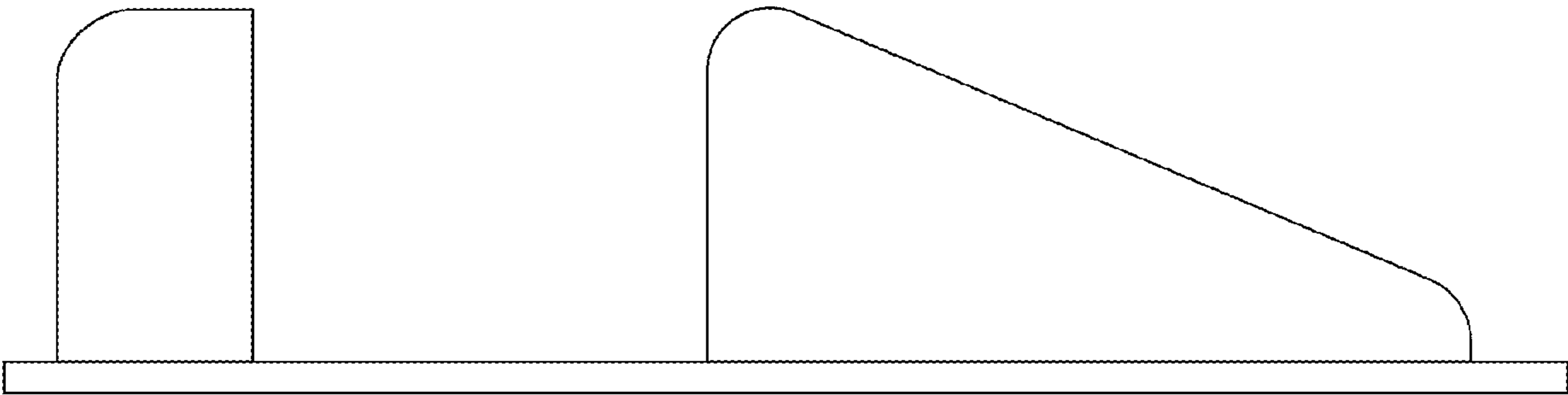


Figure 4

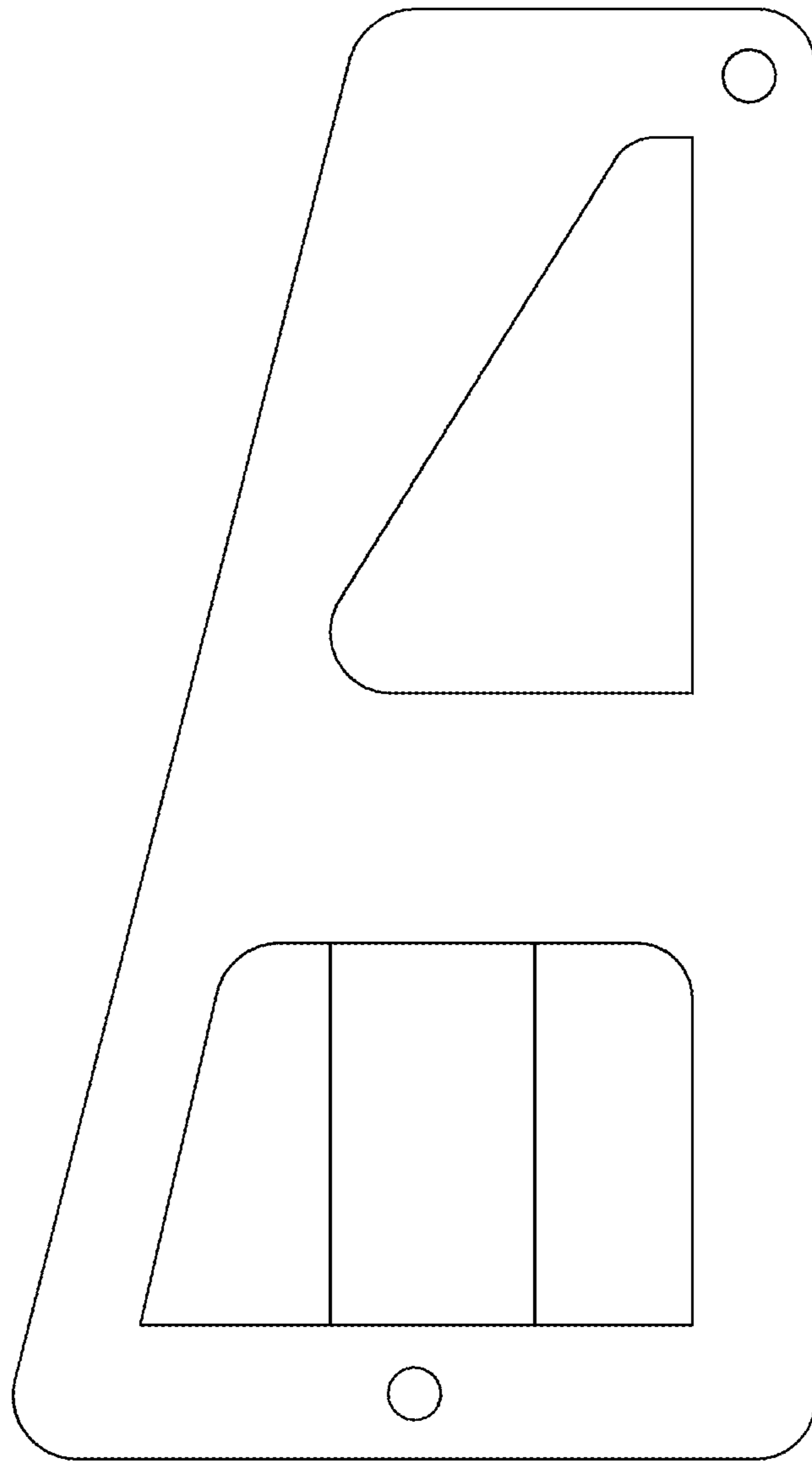


Figure 5

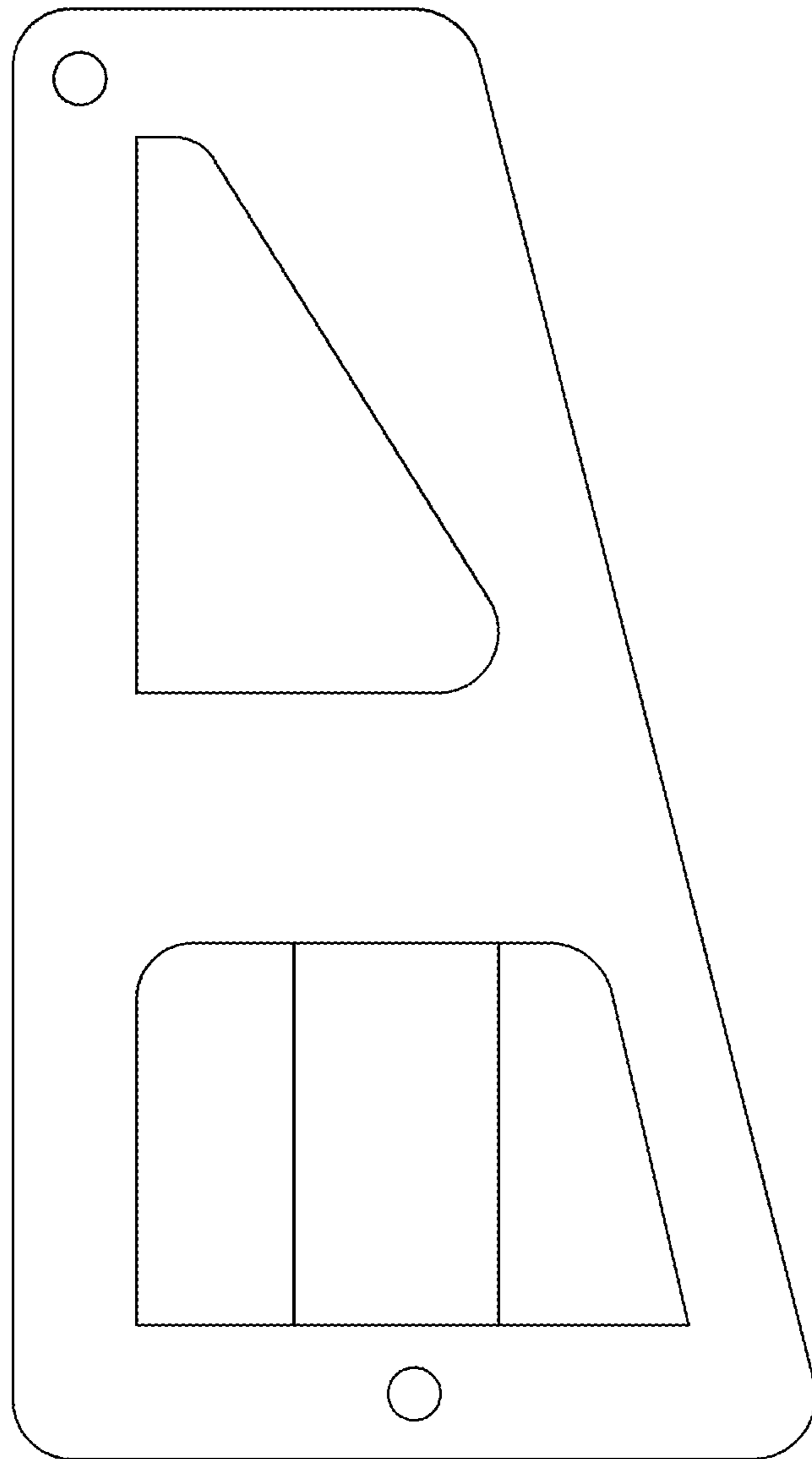


Figure 6