



US00D959257S

(12) **United States Design Patent** (10) **Patent No.:** **US D959,257 S**  
**Dick** (45) **Date of Patent:** **\*\* Aug. 2, 2022**

(54) **THREAD INSERT**

(71) Applicant: **Norgas Metering Technologies, Inc.**,  
Fairfield, OH (US)

(72) Inventor: **Michael D. Dick**, Springboro, OH (US)

(73) Assignee: **Norgas Metering Technologies, Inc.**,  
Fairfield, OH (US)

(\*\*) Term: **15 Years**

(21) Appl. No.: **29/723,606**

(22) Filed: **Feb. 7, 2020**

(51) **LOC (13) Cl.** ..... **08-08**

(52) **U.S. Cl.**  
USPC ..... **D8/397**

(58) **Field of Classification Search**  
USPC ..... D8/397, 394, 382, 349; 411/427, 179,  
411/327, 295; D24/156  
CPC .... F16B 31/02; F16B 41/002; F16B 23/0061;  
F16B 37/127  
See application file for complete search history.

(56) **References Cited**

**U.S. PATENT DOCUMENTS**

D23,917 S *	12/1894	Lane	.....	D8/397
1,029,775 A *	6/1912	Tobin	.....	F16B 39/10
				411/191
D57,407 S *	3/1921	Walker	.....	D23/269
2,120,577 A *	6/1938	Schulte	.....	F16B 13/0858
				411/71
D134,789 S *	1/1943	Gade	.....	411/276
2,552,794 A *	5/1951	Kimbell	.....	F16B 37/02
				411/427
2,727,551 A *	12/1955	Rees	.....	F16B 39/34
				411/303
D198,713 S *	7/1964	Curtiss	.....	D8/397
D218,674 S *	9/1970	Ernest	.....	D8/387

(Continued)

*Primary Examiner* — Cynthia R Underwood

(74) *Attorney, Agent, or Firm* — Wood Herron & Evans  
LLP

(57) **CLAIM**

The ornamental design for a thread insert, as shown and described.

**DESCRIPTION**

FIG. 1 is a front (isometric) perspective view of an insert according to the present invention. The insert is shown integrated into a flow metering device shown in dash lines, for purpose of illustration.

FIG. 2 is a front view of the insert and metering flow device shown in FIG. 2;

FIG. 3 is an enlarge view of the insert shown in FIG. 1 of the present invention;

FIG. 4 is a front elevational view thereof;

FIG. 5 is a side elevational view thereof;

FIG. 6 is a front perspective similar to FIG. 3, but with the metering flow device removed for purpose of showing the insert in greater detail.

FIG. 7 is a front view of the insert shown in FIG. 6;

FIG. 8 is a side elevational view thereof;

FIG. 9 is a cross-sectional view taken on line 9-9 of FIG. 7;

FIG. 10 is a cross-sectional view taken on line 10-10 of FIG. 7;

FIG. 11 is a front perspective view of a second embodiment of the present invention, shown with symbolic break lines. Nothing between the break lines forms any part of the claim.

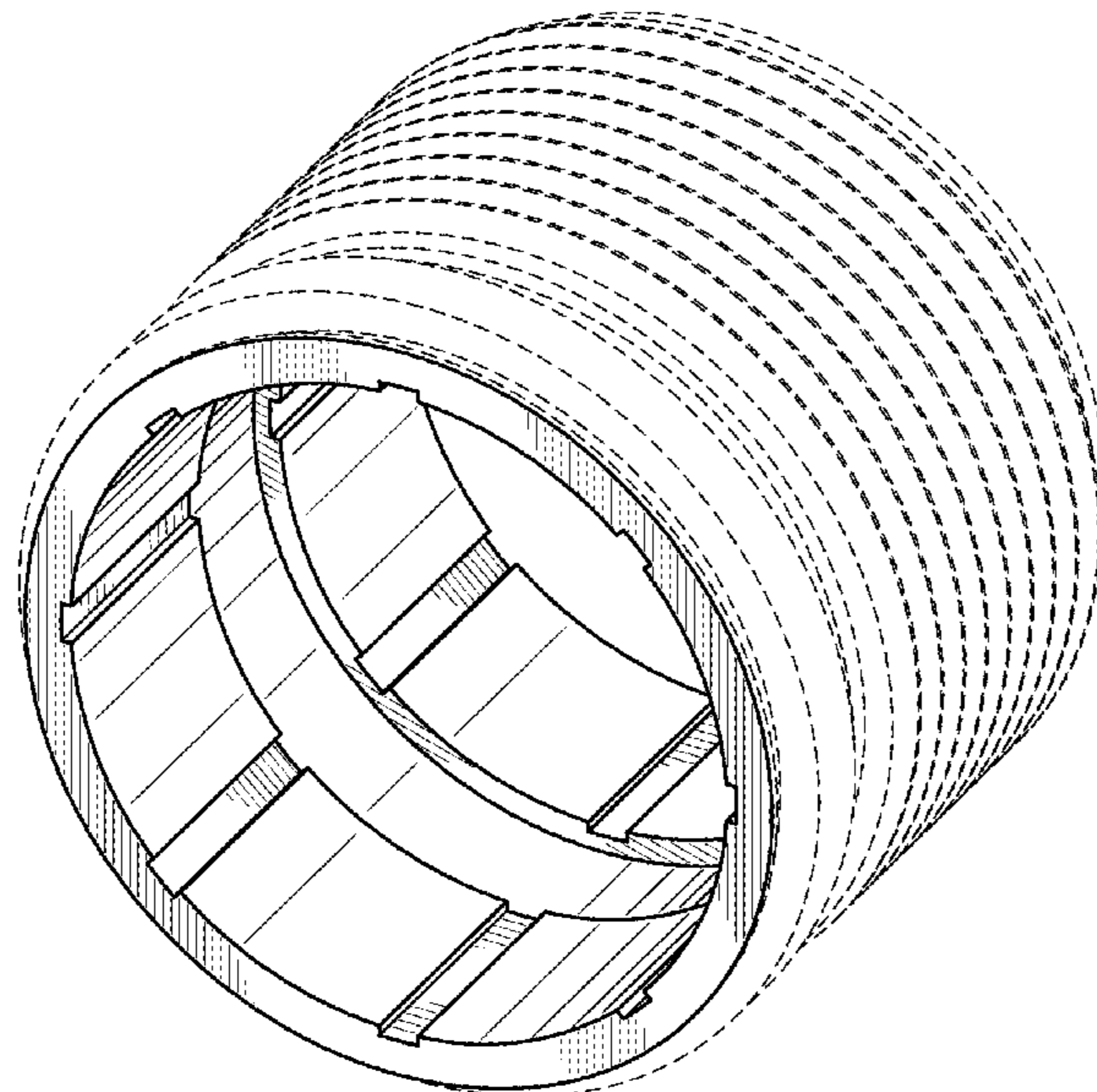
FIG. 12 is a front view of the insert shown in FIG. 11;

FIG. 13 is a side elevational view thereof; and,

FIG. 14 is a cross-sectional view taken on line 14-14 of FIG. 12.

Any elements shown in broken lines form no part of the claimed invention in this application. The broken lines are only shown for environmental purpose only and form no part of the claimed design.

**1 Claim, 10 Drawing Sheets**



(56)

References Cited

U.S. PATENT DOCUMENTS

D220,027 S \* 3/1971 Myers ..... D8/397  
 D223,187 S \* 3/1972 Wing ..... D8/397  
 3,702,628 A \* 11/1972 Cosenza ..... F16B 39/36  
 411/280  
 D233,652 S \* 11/1974 Wing ..... D8/397  
 4,019,550 A \* 4/1977 DeHaitre ..... F16B 33/004  
 411/303  
 D244,908 S \* 7/1977 Hatter et al. .... D8/397  
 D244,909 S \* 7/1977 Gill ..... D8/397  
 D273,561 S \* 4/1984 Ozaki ..... D8/397  
 D281,953 S \* 12/1985 Newman ..... D8/397  
 D311,131 S \* 10/1990 Saito ..... D8/397  
 D364,882 S \* 12/1995 Junkers ..... D15/199  
 D388,933 S \* 1/1998 Hunter ..... D34/39  
 6,071,052 A \* 6/2000 Kerr ..... F16B 39/34  
 411/247  
 D446,111 S \* 8/2001 Hussaini ..... D8/29  
 D459,207 S \* 6/2002 Miyata ..... D8/397  
 D519,076 S \* 4/2006 Fox ..... D13/133  
 7,063,565 B2 \* 6/2006 Ward ..... 439/578  
 D532,684 S \* 11/2006 Barnes ..... D8/397  
 D535,259 S \* 1/2007 Rodrigues et al. .... D13/151  
 D539,129 S \* 3/2007 Griffiths ..... D8/382  
 D551,972 S \* 10/2007 Jacobs ..... D9/445  
 D581,777 S \* 12/2008 Huang ..... D8/397

D601,507 S \* 10/2009 Rodrigues ..... D13/133  
 8,007,216 B2 \* 8/2011 Ross ..... F16B 37/122  
 156/73.1  
 D644,673 S \* 9/2011 Drenth ..... D15/138  
 8,210,783 B2 \* 7/2012 Morrison ..... 411/9  
 D679,988 S \* 4/2013 Yamazaki ..... D8/397  
 D703,521 S \* 4/2014 Haynes ..... D8/397  
 9,492,901 B2 \* 11/2016 Peltz ..... G01B 11/18  
 D802,407 S \* 11/2017 Foerster, Jr. .... D8/387  
 D802,410 S \* 11/2017 Felix ..... D8/397  
 D809,376 S \* 2/2018 Huang ..... D8/397  
 D816,034 S \* 4/2018 Mascher ..... D13/127  
 10,337,551 B2 \* 7/2019 Foerster, Jr. .... F16B 37/127  
 10,904,644 B2 \* 1/2021 White ..... H04Q 9/00  
 D925,345 S \* 7/2021 Slocum ..... D23/262  
 D932,291 S \* 10/2021 Grøndal ..... D8/382  
 D942,845 S \* 2/2022 Iacono ..... D8/382  
 2003/0039527 A1 \* 2/2003 Schatz ..... 411/9  
 2003/0219325 A1 \* 11/2003 Schultz ..... F16B 37/125  
 411/178  
 2004/0136807 A1 \* 7/2004 Foerster, Jr. .... F16B 37/127  
 411/178  
 2005/0136735 A1 \* 6/2005 Rodrigues ..... H01R 9/0524  
 439/578  
 2006/0013671 A1 \* 1/2006 Lauderbaugh ..... F16B 37/127  
 411/178  
 2017/0122359 A1 \* 5/2017 Foerster, Jr. .... F16B 37/127

\* cited by examiner

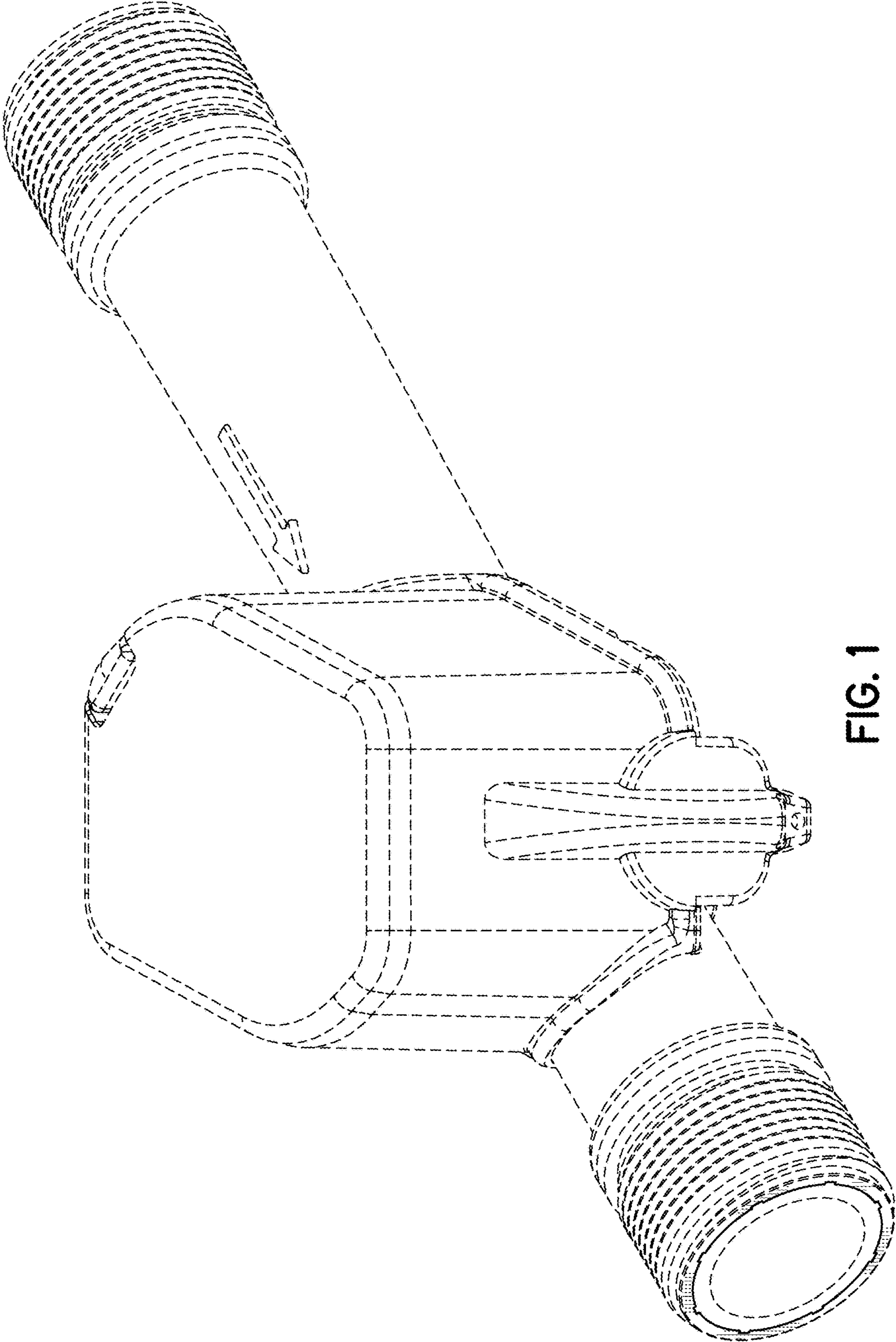


FIG. 1



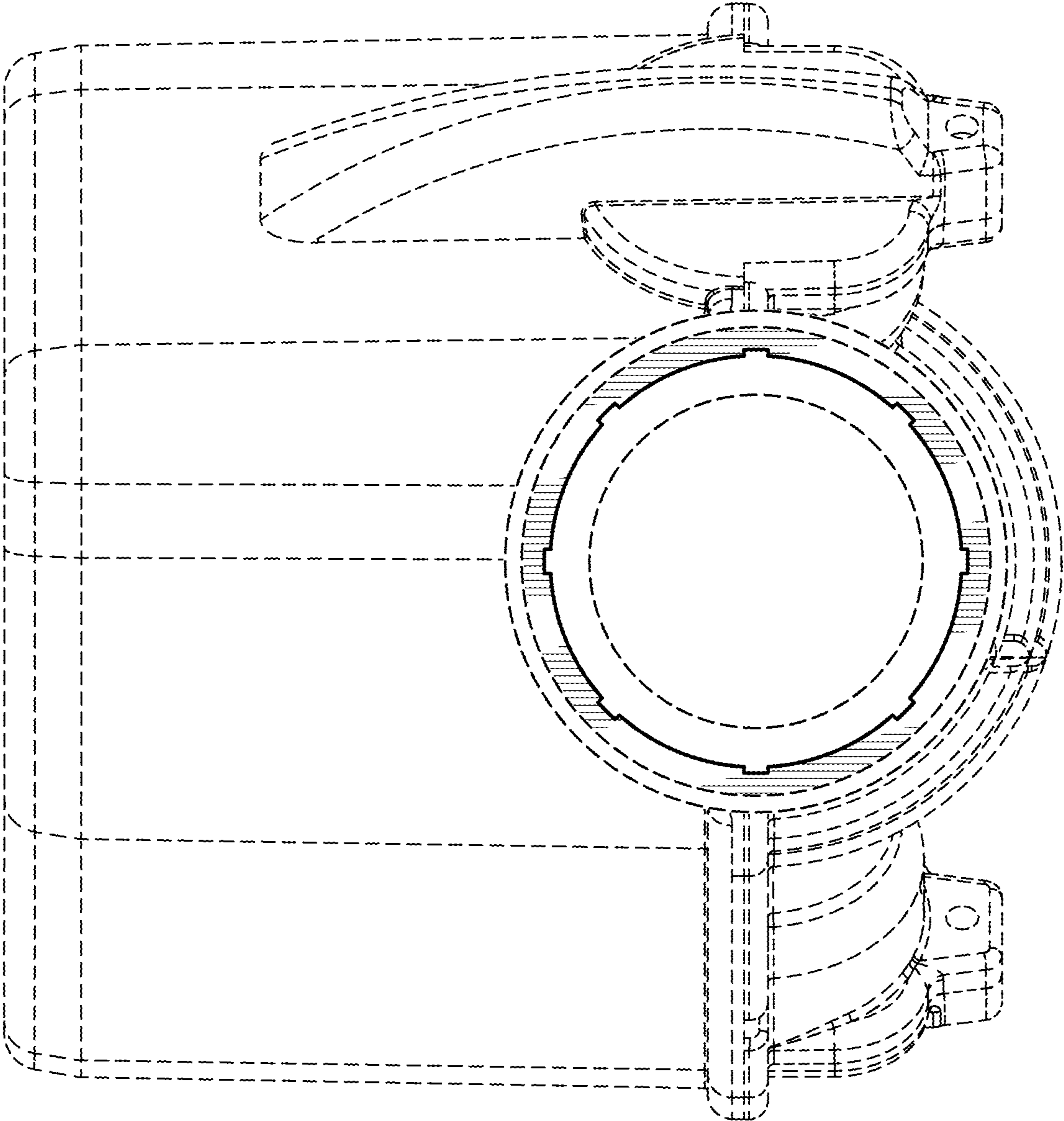


FIG. 2

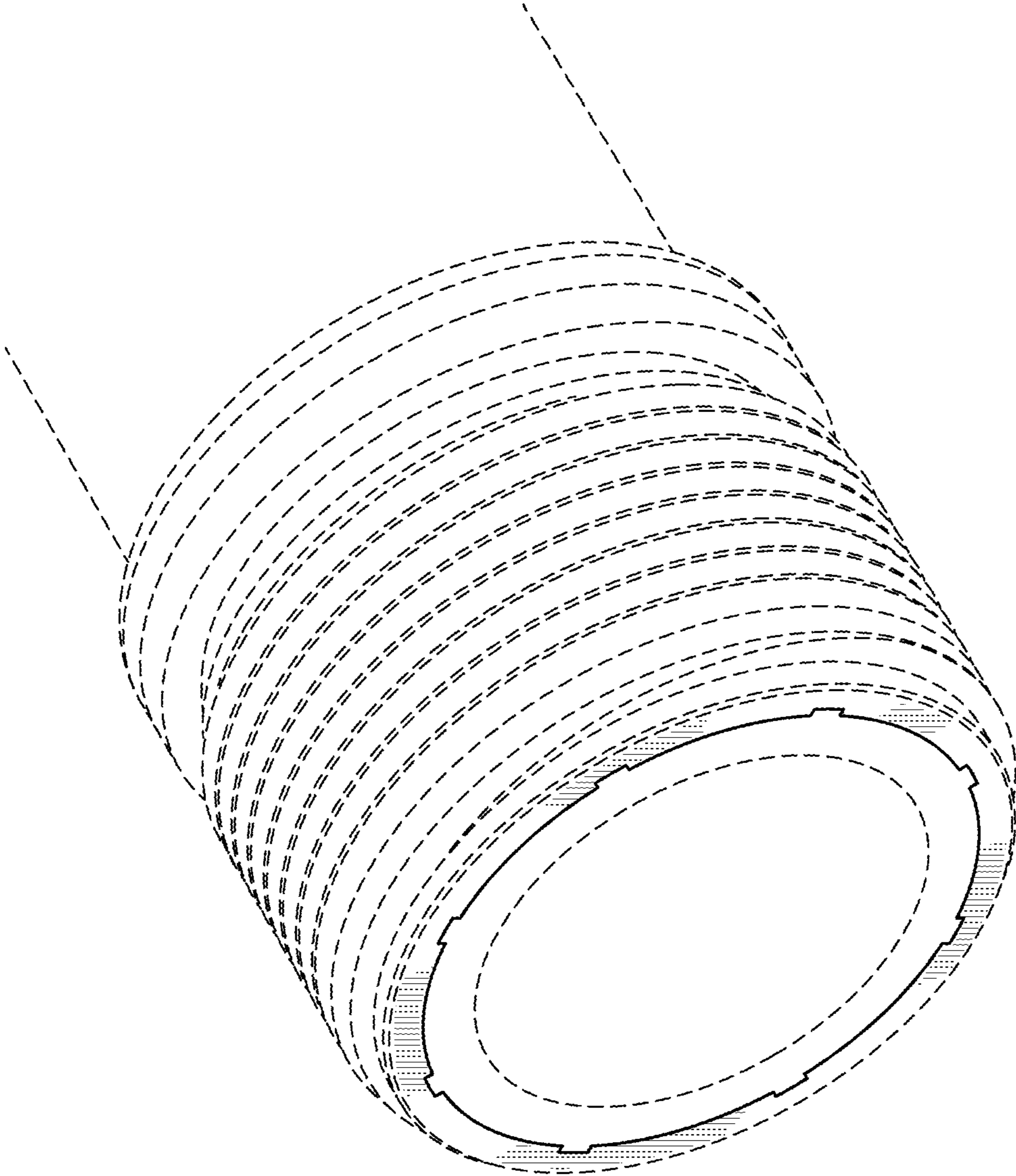


FIG. 3

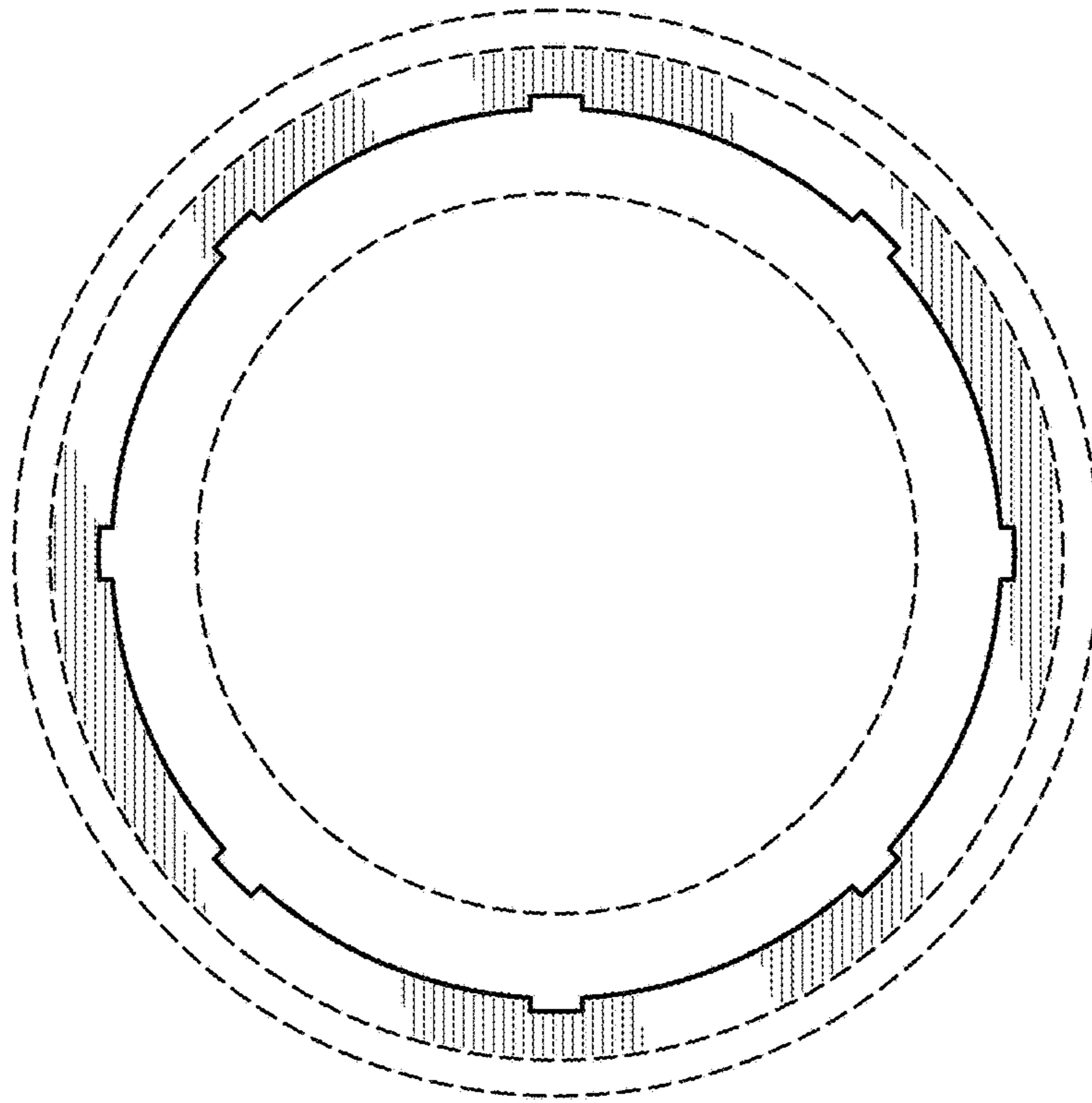


FIG. 4

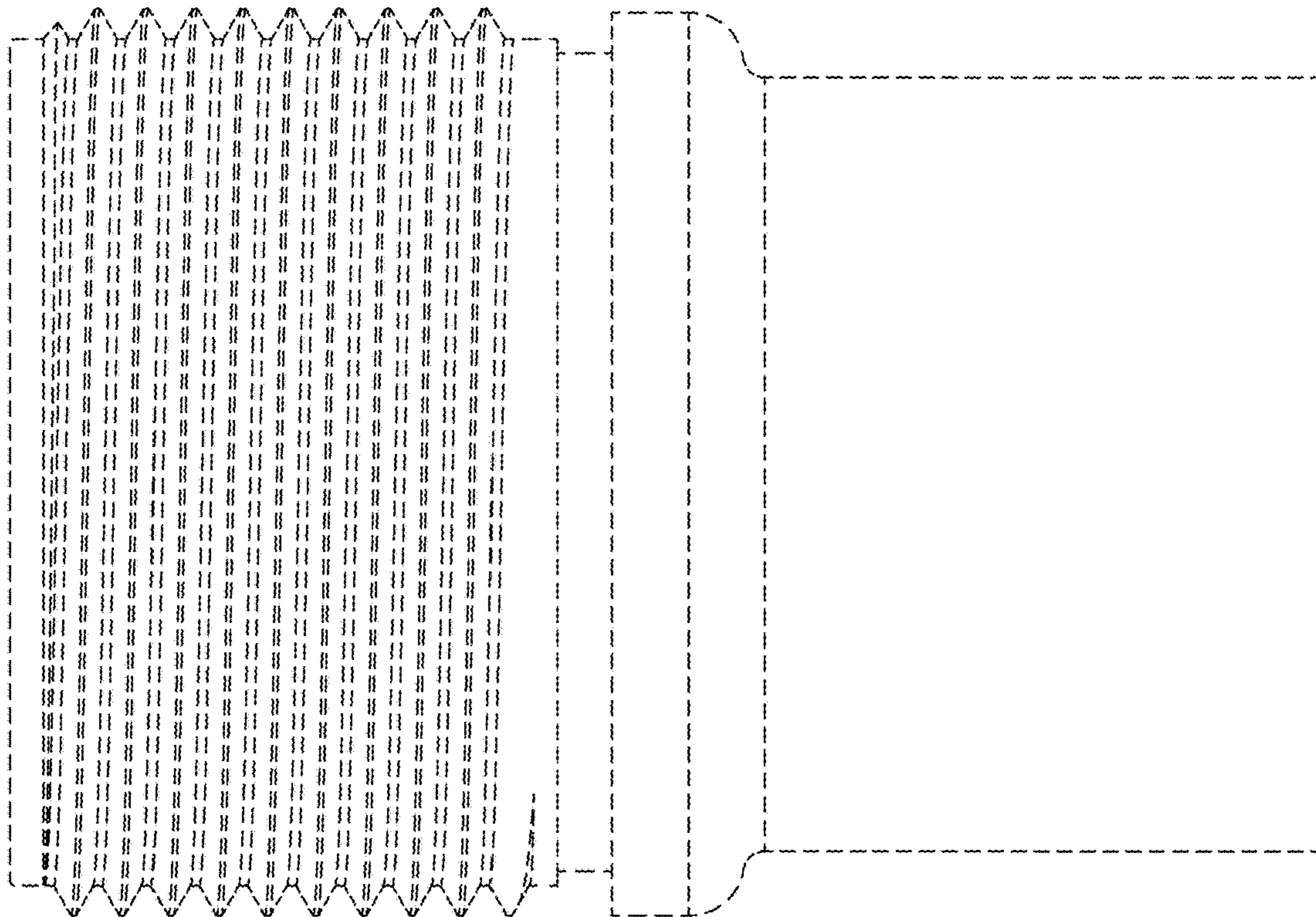


FIG. 5

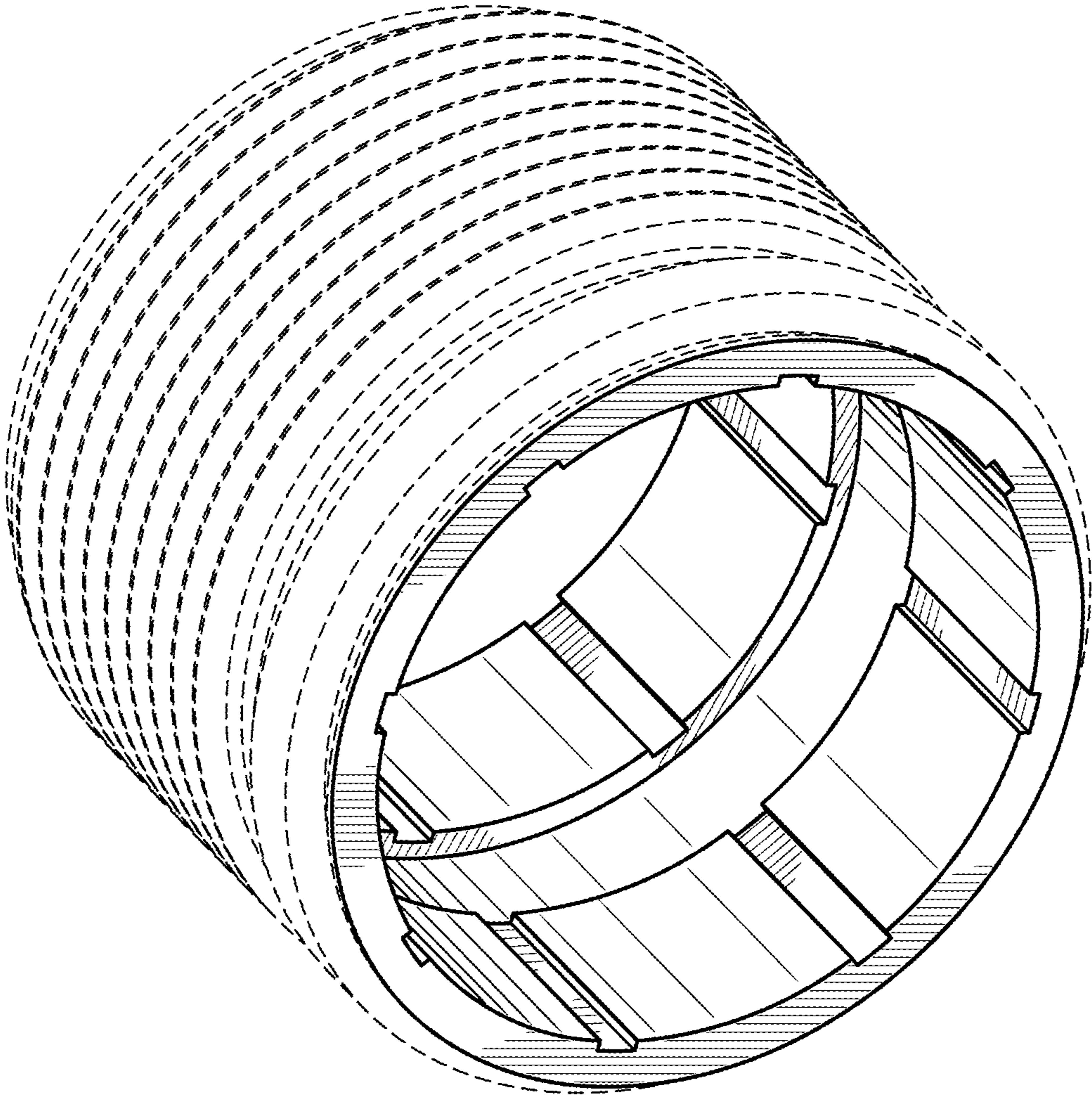


FIG. 6



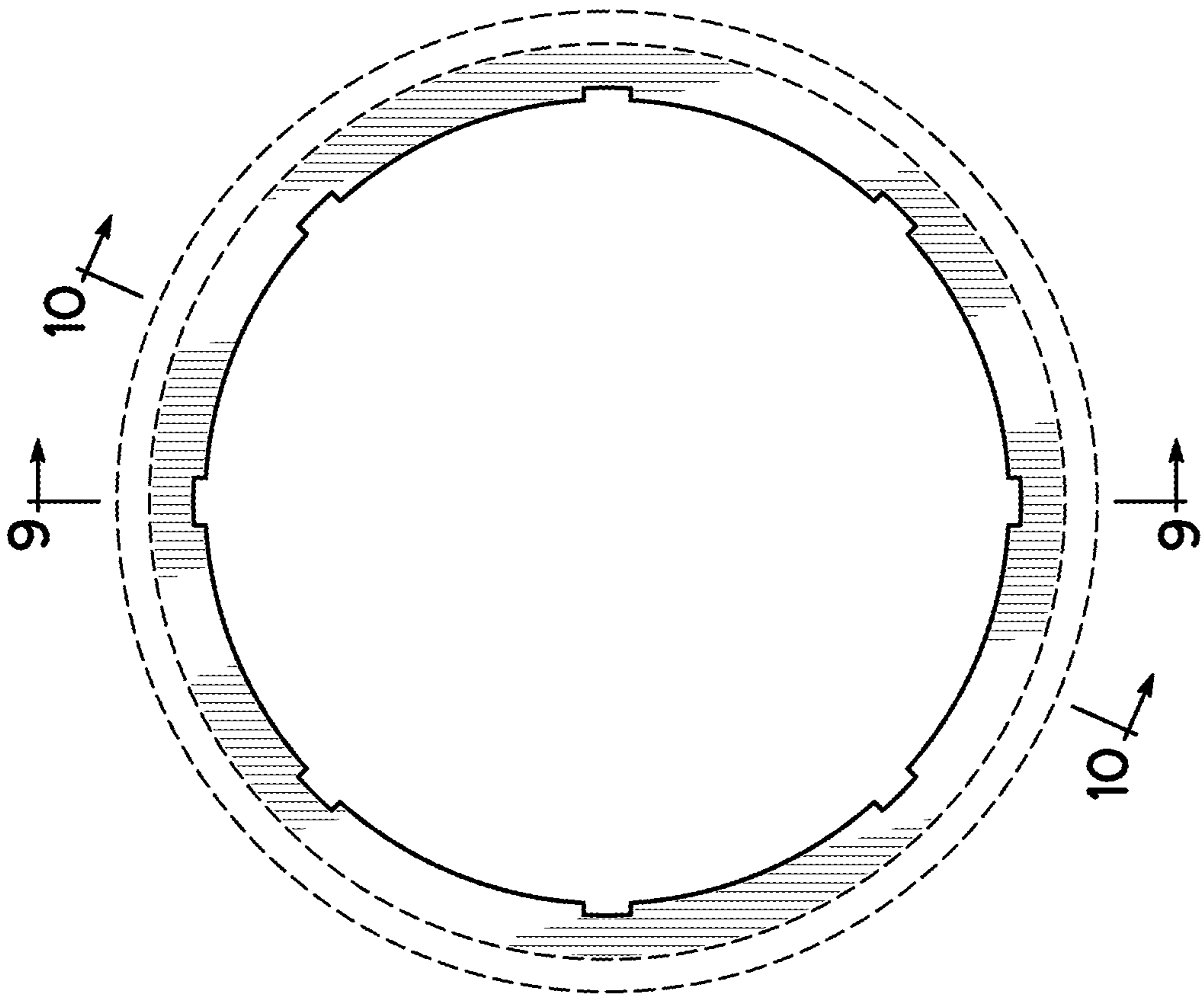


FIG. 7

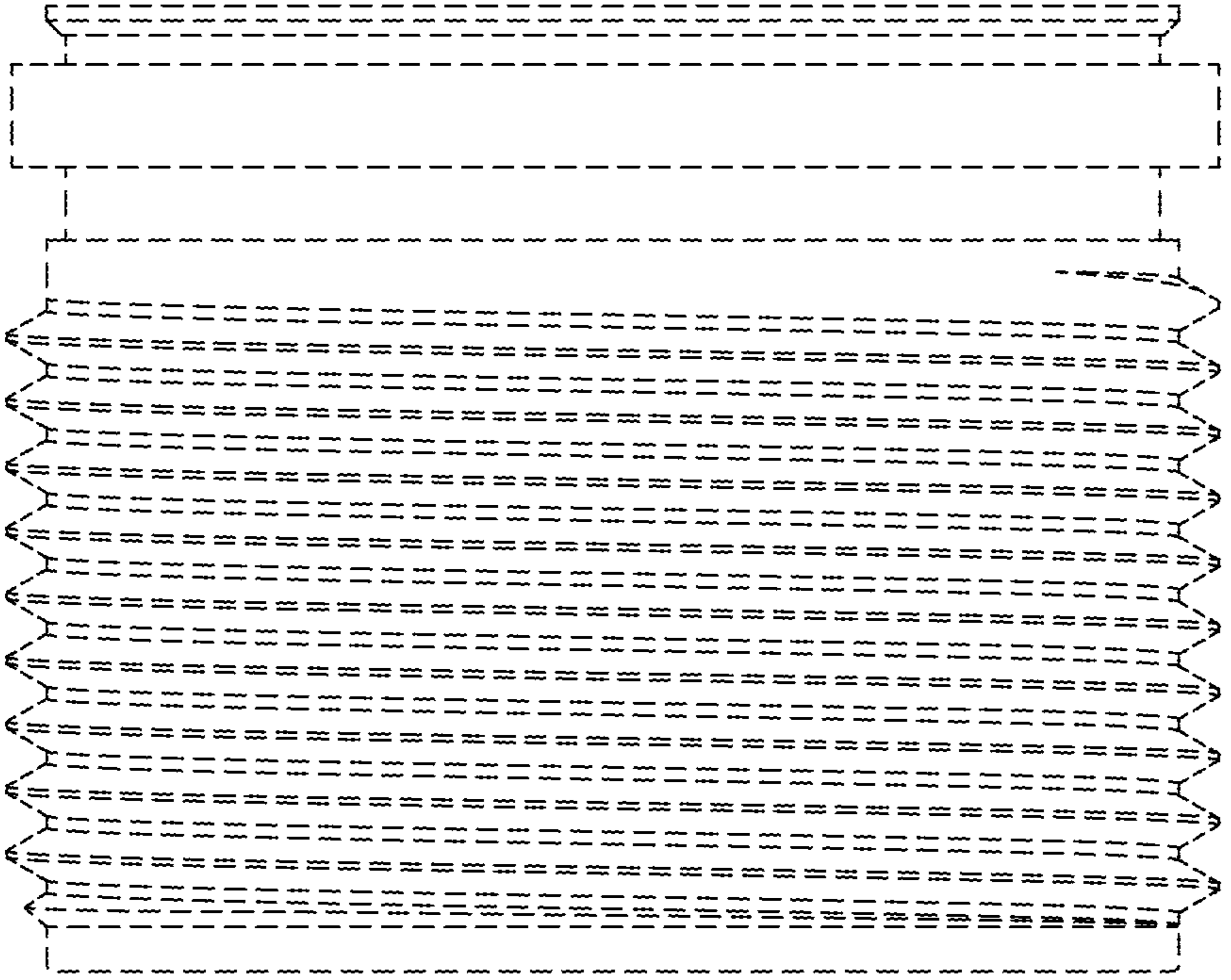


FIG. 8



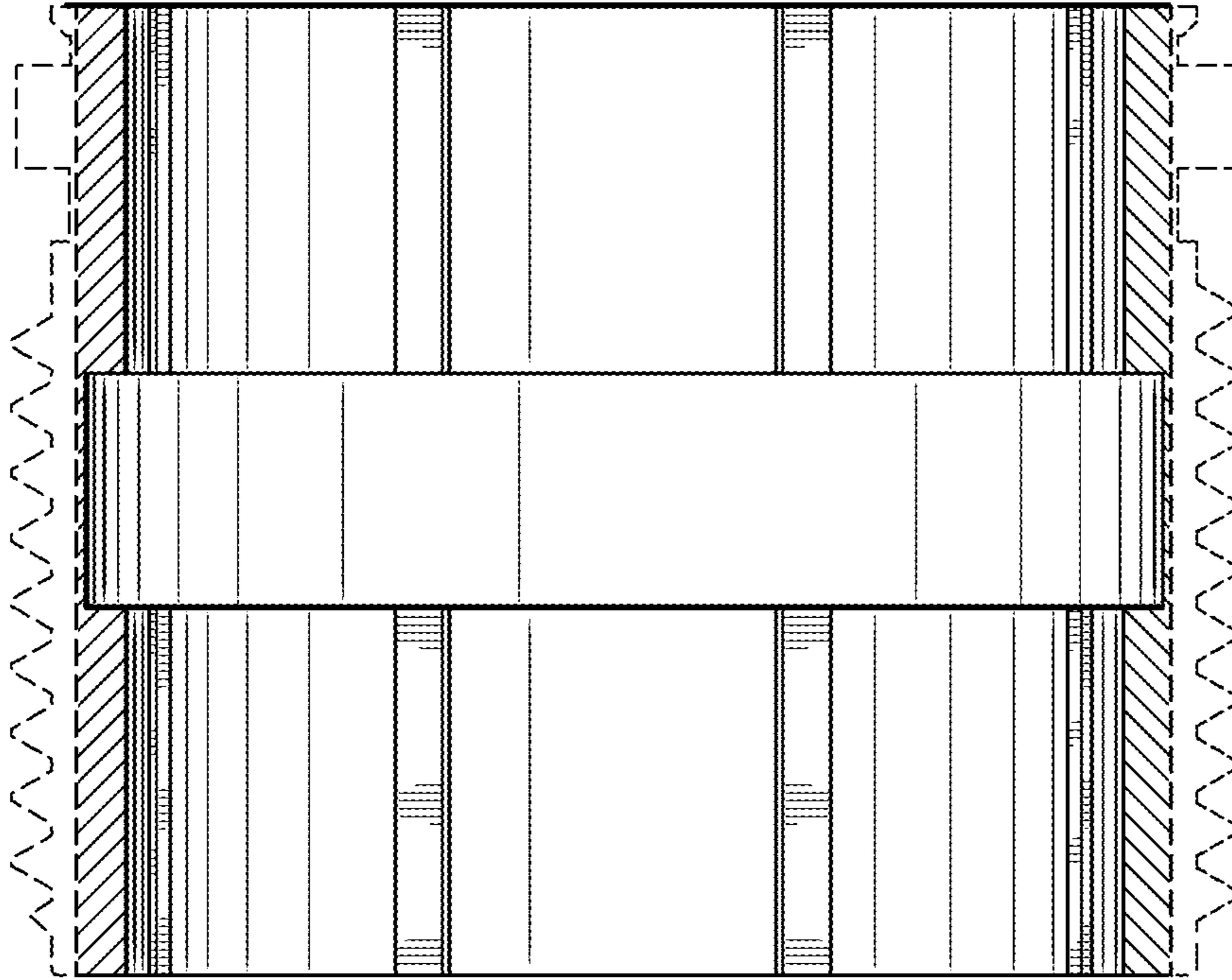


FIG. 10



FIG. 9

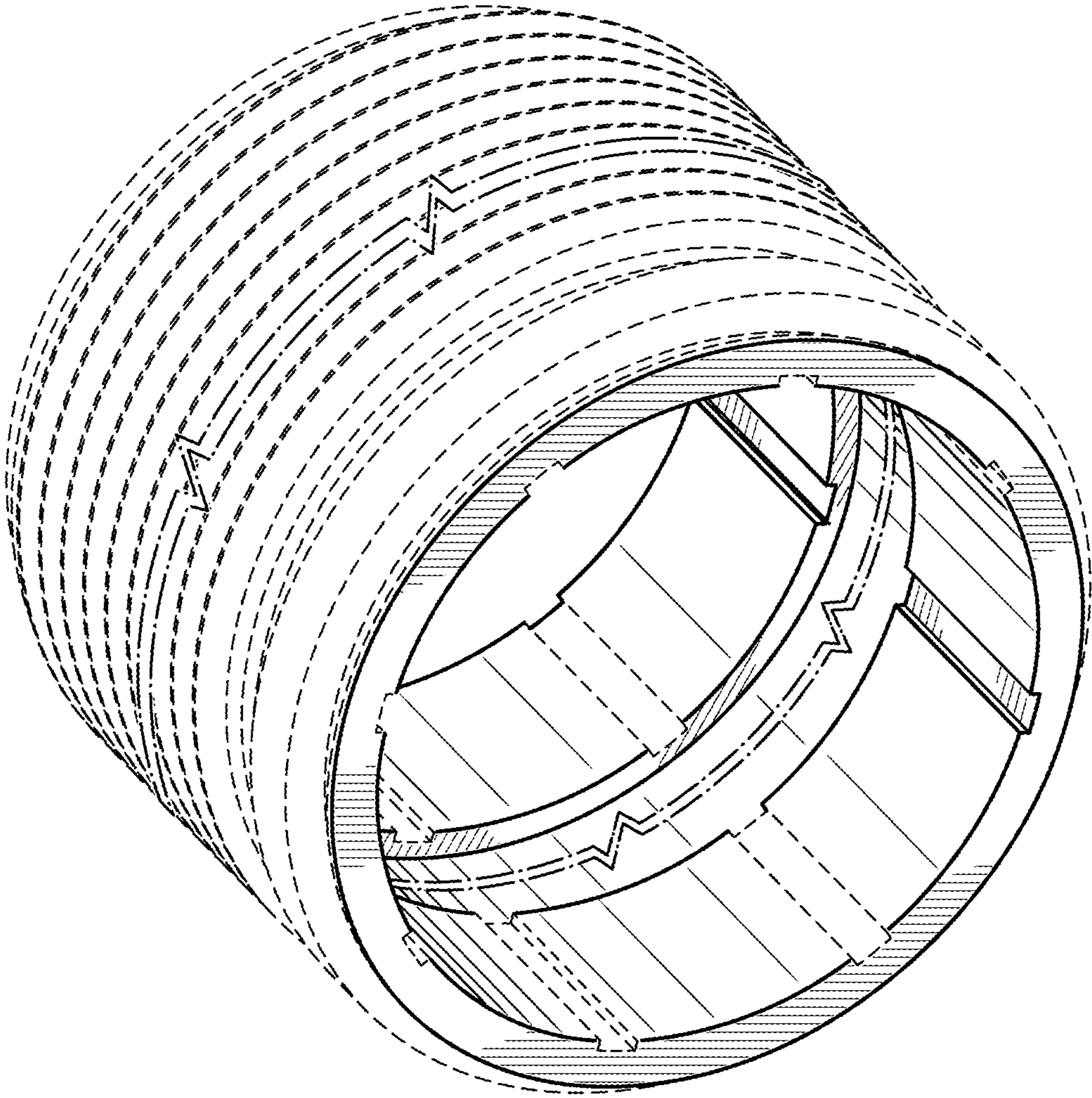


FIG. 11

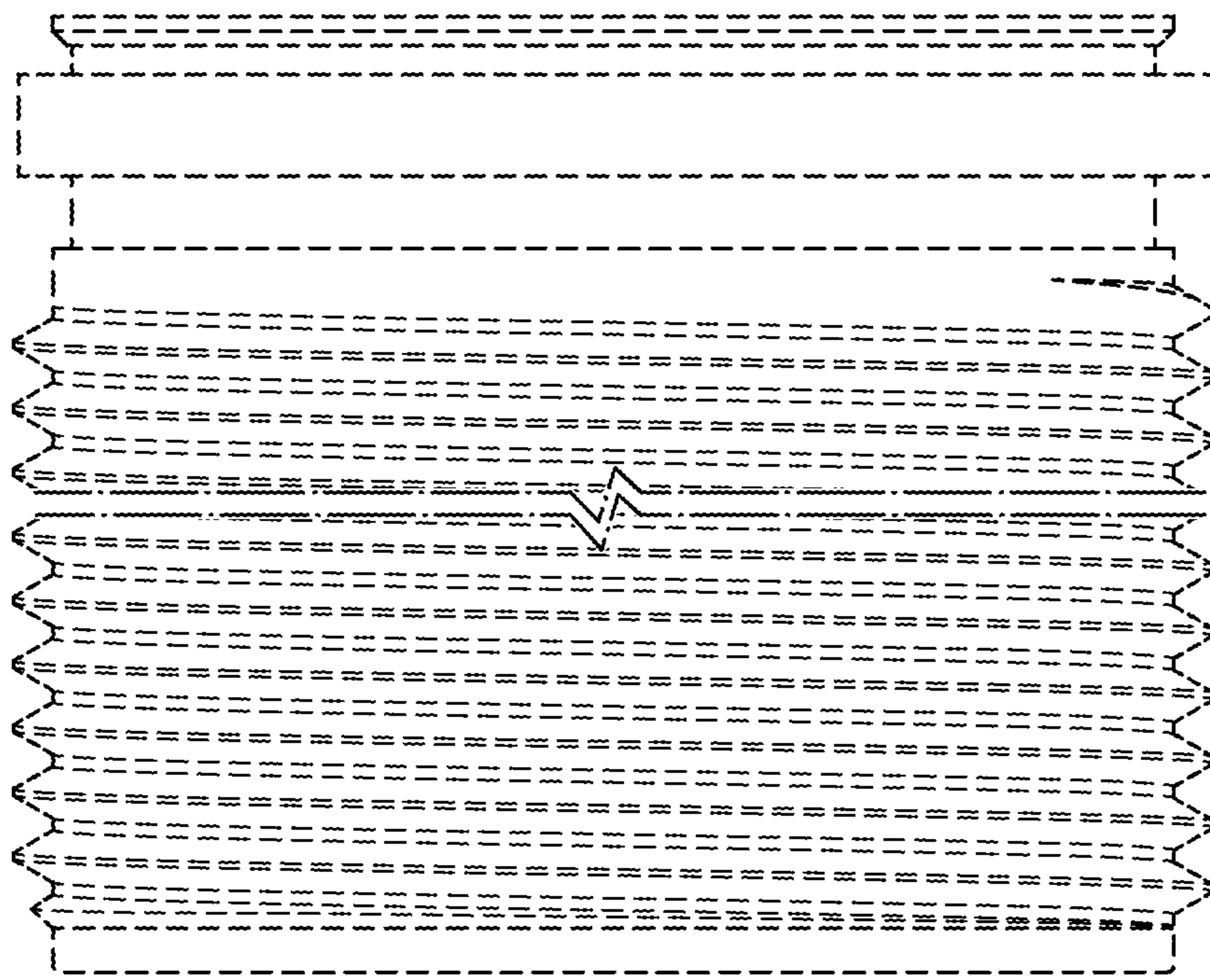


FIG. 13

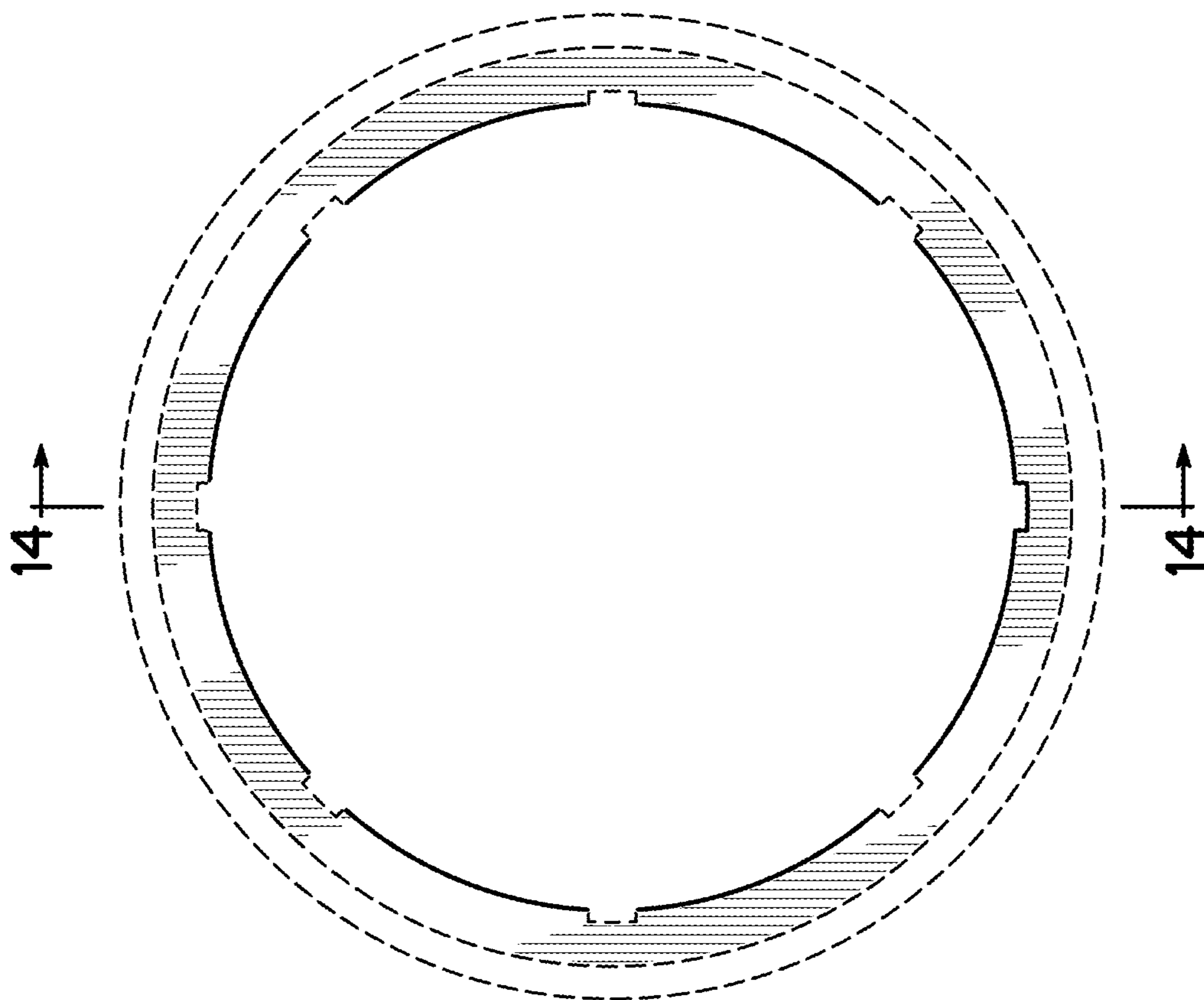


FIG. 12



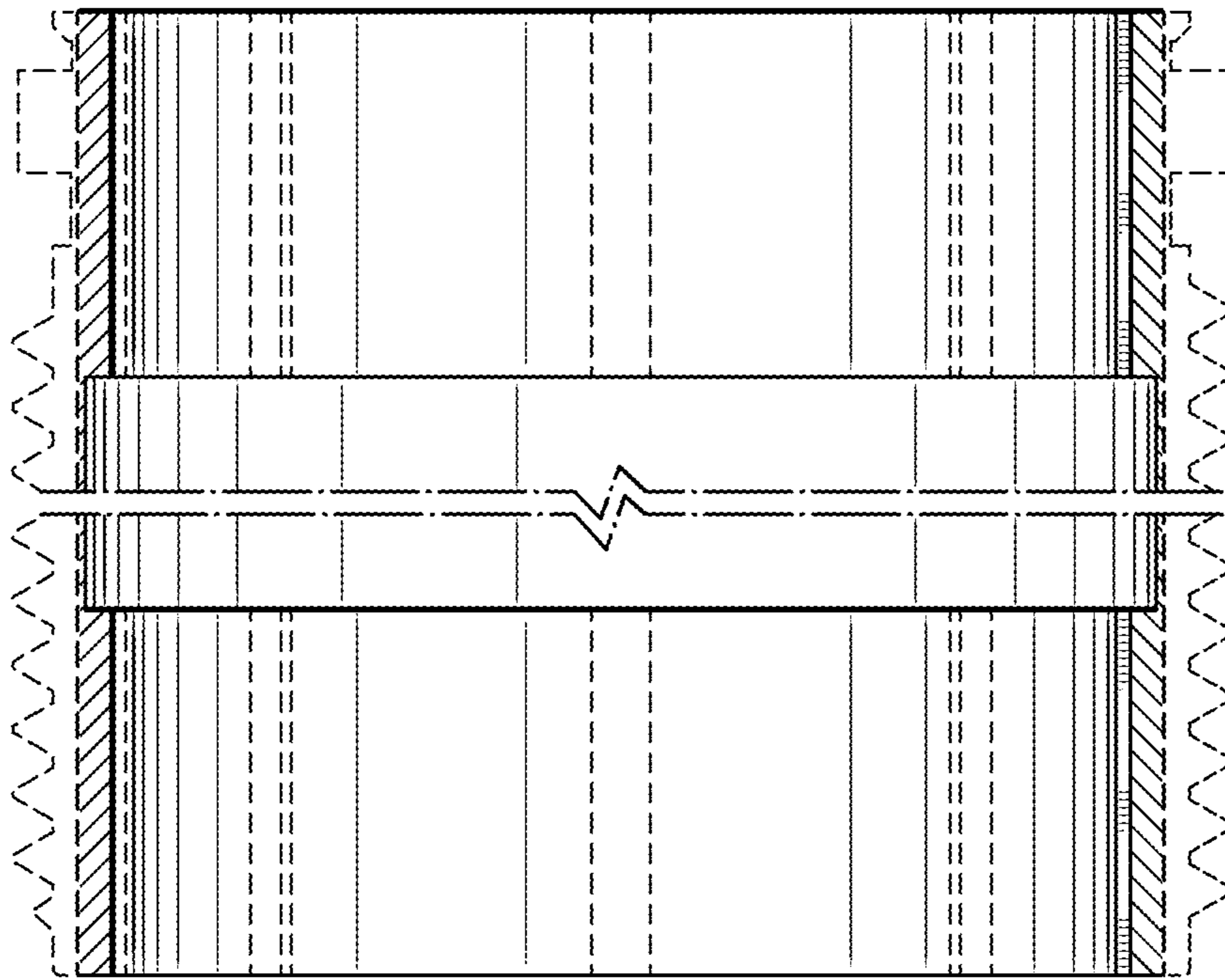


FIG. 14