



US00D959256S

(12) **United States Design Patent** (10) **Patent No.:** **US D959,256 S**
Su (45) **Date of Patent:** **** *Aug. 2, 2022**

(54) **UNIVERSAL JOINT**

D782,273 S * 3/2017 Cramer-Kelly D8/323
D834,915 S * 12/2018 Boyce A63B 67/002

(71) Applicant: **Hong Ann Tool Industries Co., Ltd.,**
Taichung (TW)

D863,007 S * 10/2019 Lopez D8/26

(Continued)

(72) Inventor: **Cheng-Wei Su,** Taichung (TW)

Primary Examiner — Cynthia R Underwood

(73) Assignee: **Hong Ann Tool Industries Co., Ltd.,**
Taichung (TW)

(74) *Attorney, Agent, or Firm* — Alan D. Kamrath; Karin L. Williams; Mayer & Williams PC

(*) Notice: This patent is subject to a terminal disclaimer.

(57) **CLAIM**

The ornamental design for a universal joint, as shown and described.

(**) Term: **15 Years**

DESCRIPTION

(21) Appl. No.: **29/723,051**

The patent or application file contains at least one drawing executed in color. Copies of this patent or patent application publication with color drawing(s) will be provided by the Office upon request and payment of the necessary fee.

(22) Filed: **Feb. 4, 2020**

(51) **LOC (13) Cl.** **08-08**

(52) **U.S. Cl.**
USPC **D8/397; D8/323**

(58) **Field of Classification Search**
USPC D8/323, 382, 387, 394, 396, 397, 354,
D8/349

CPC Y10T 29/49948; F16B 37/14
See application file for complete search history.

FIG. 1 is a perspective view of a universal joint showing my new design;

FIG. 2 is a front view;

FIG. 3 is a rear view;

FIG. 4 is a left view;

FIG. 5 is a right view;

FIG. 6 is a top view;

FIG. 7 is a bottom view;

FIG. 8 is a sectional view taken along line 8-8 of FIG. 2;

FIG. 9 is a sectional view taken along line 9-9 of FIG. 5;

FIG. 10 is a sectional view taken along line 10-10 of FIG. 2;

FIG. 11 is a sectional view taken along line 11-11 of FIG. 2;

FIG. 12 is another perspective view executed in red color; and,

FIG. 13 is another perspective view executed in blue color.

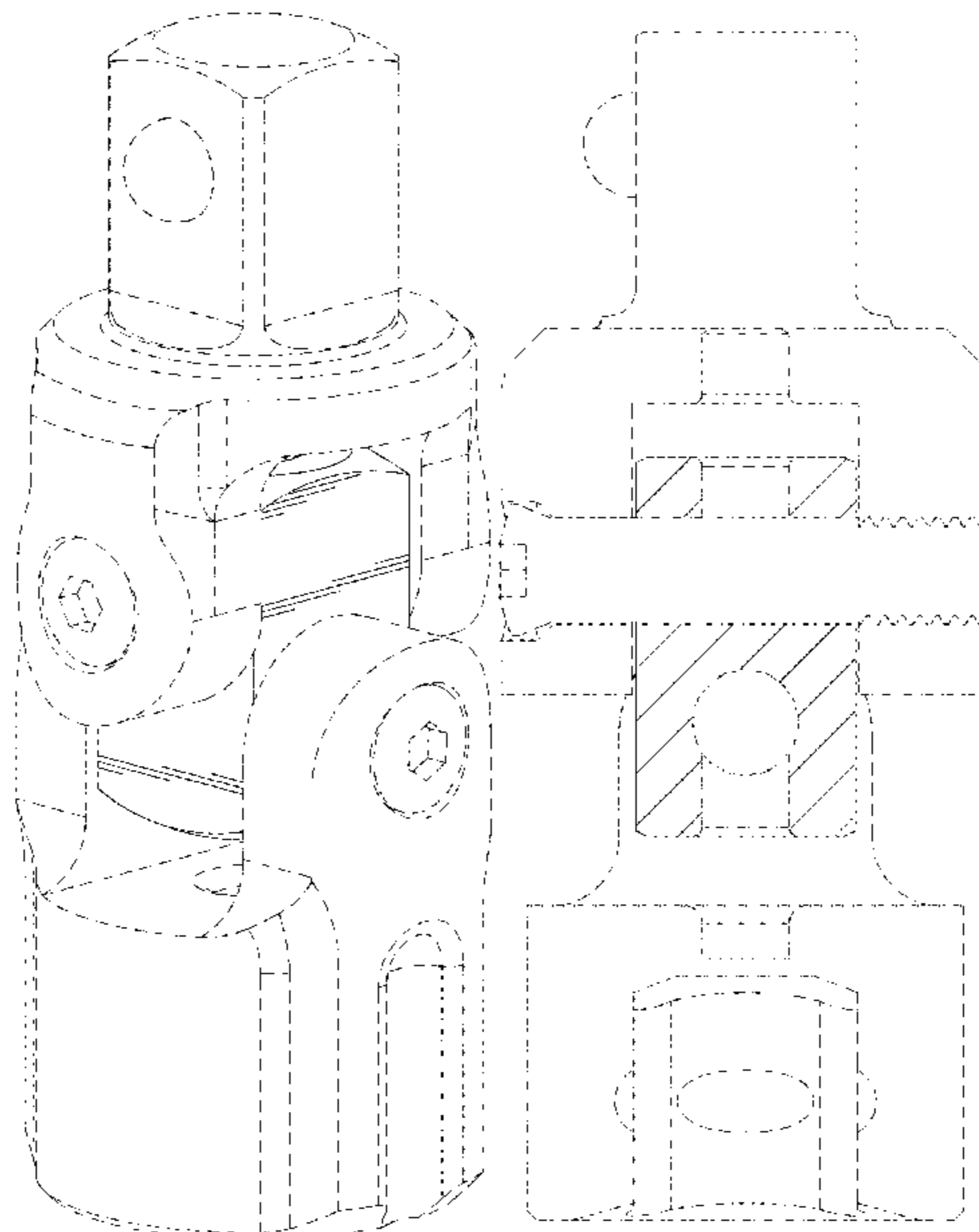
The broken lines depict portions of the universal joint in which the design is embodied that are not considered part of the claimed design.

(56) **References Cited**

U.S. PATENT DOCUMENTS

D30,721 S *	5/1899	Decker	D8/323
D293,003 S *	12/1987	Larkin	D21/453
D498,136 S *	11/2004	Parker	D8/380
D563,199 S *	3/2008	Liao	D8/323
D639,634 S *	6/2011	Arai	D8/323
D652,286 S *	1/2012	Mair	D8/356
D661,174 S *	6/2012	Ogawa	D8/323
8,477,505 B2 *	7/2013	Samuels	G06F 1/1632
				16/337
D698,637 S *	2/2014	Su	D8/397
D705,640 S *	5/2014	Wiese	D8/323

1 Claim, 12 Drawing Sheets
(2 of 12 Drawing Sheet(s) Filed in Color)



(56)

References Cited

U.S. PATENT DOCUMENTS

D880,284 S * 4/2020 Ferraro D8/397
2004/0137970 A1* 7/2004 Han G06F 1/1679
455/566

* cited by examiner

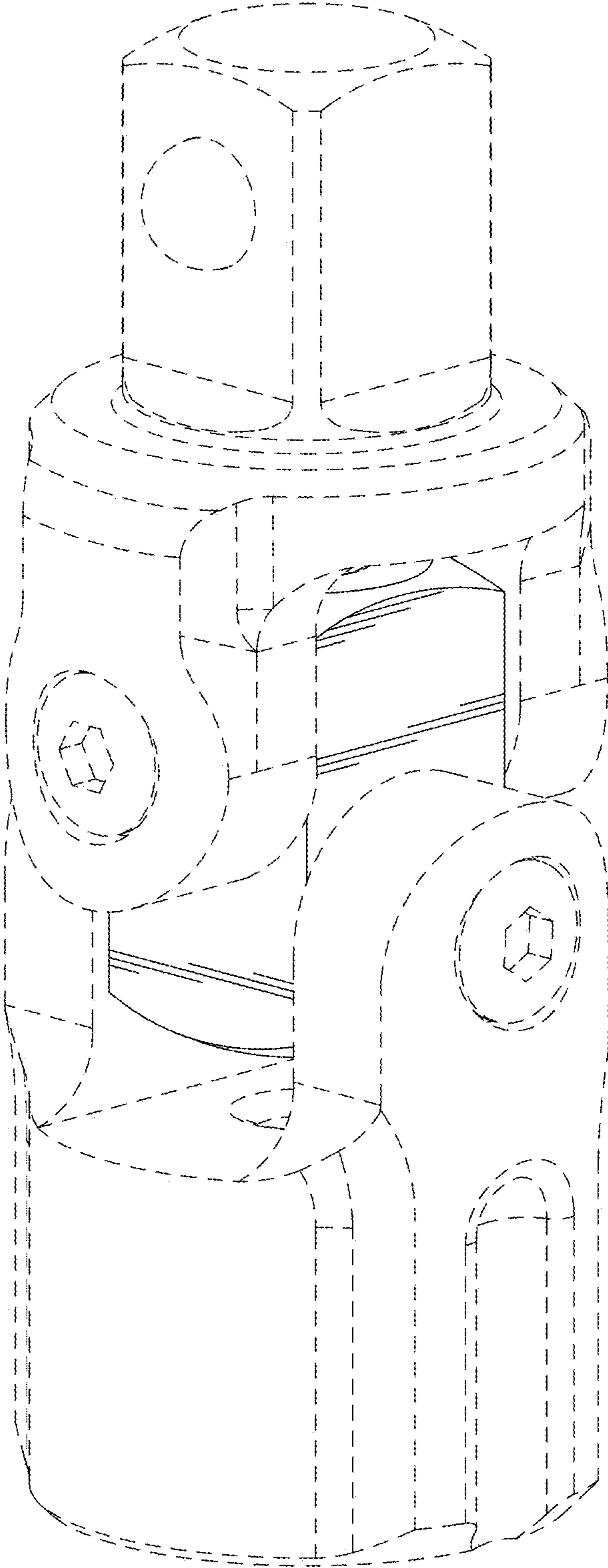


FIG.1

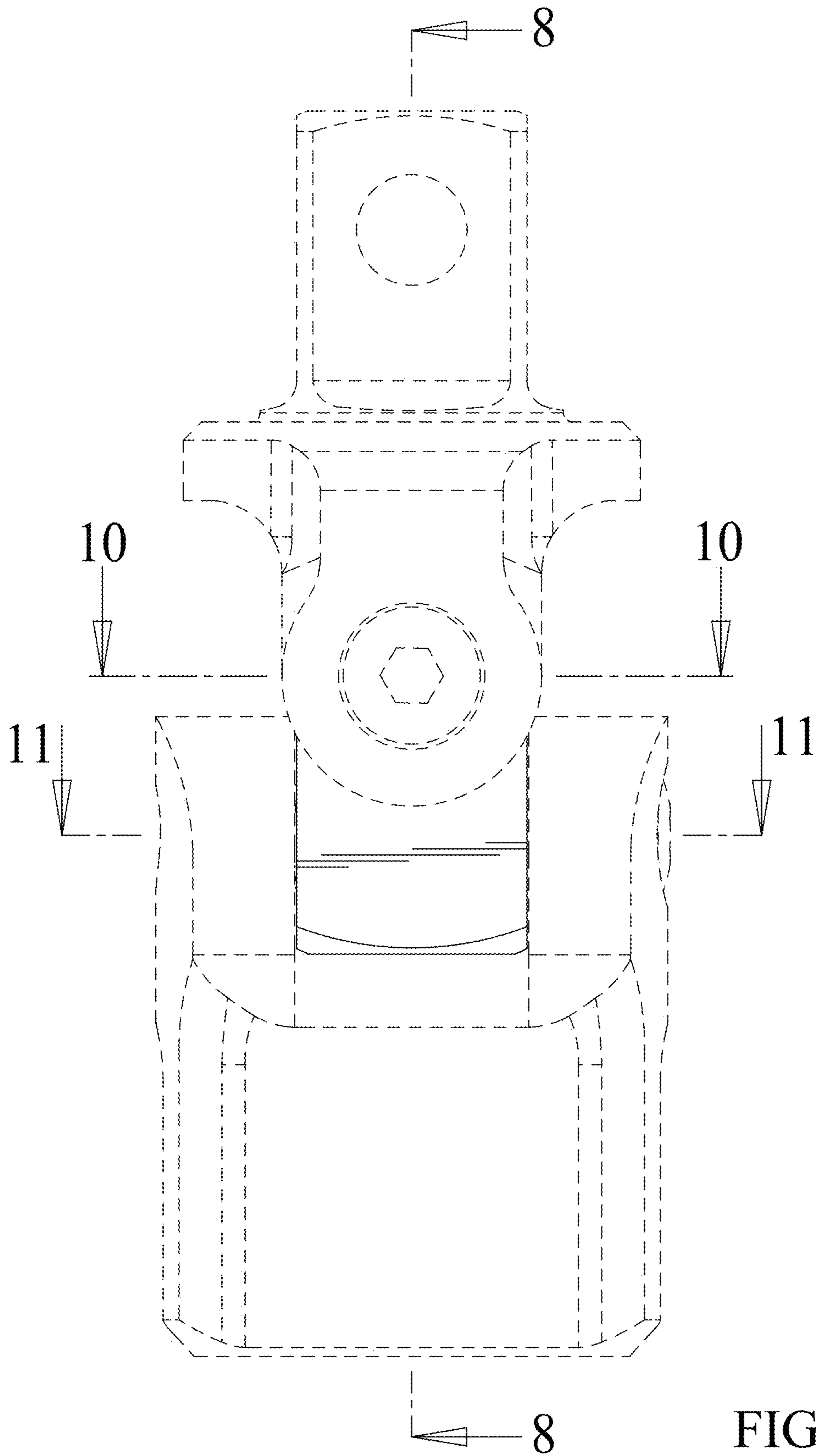


FIG. 2

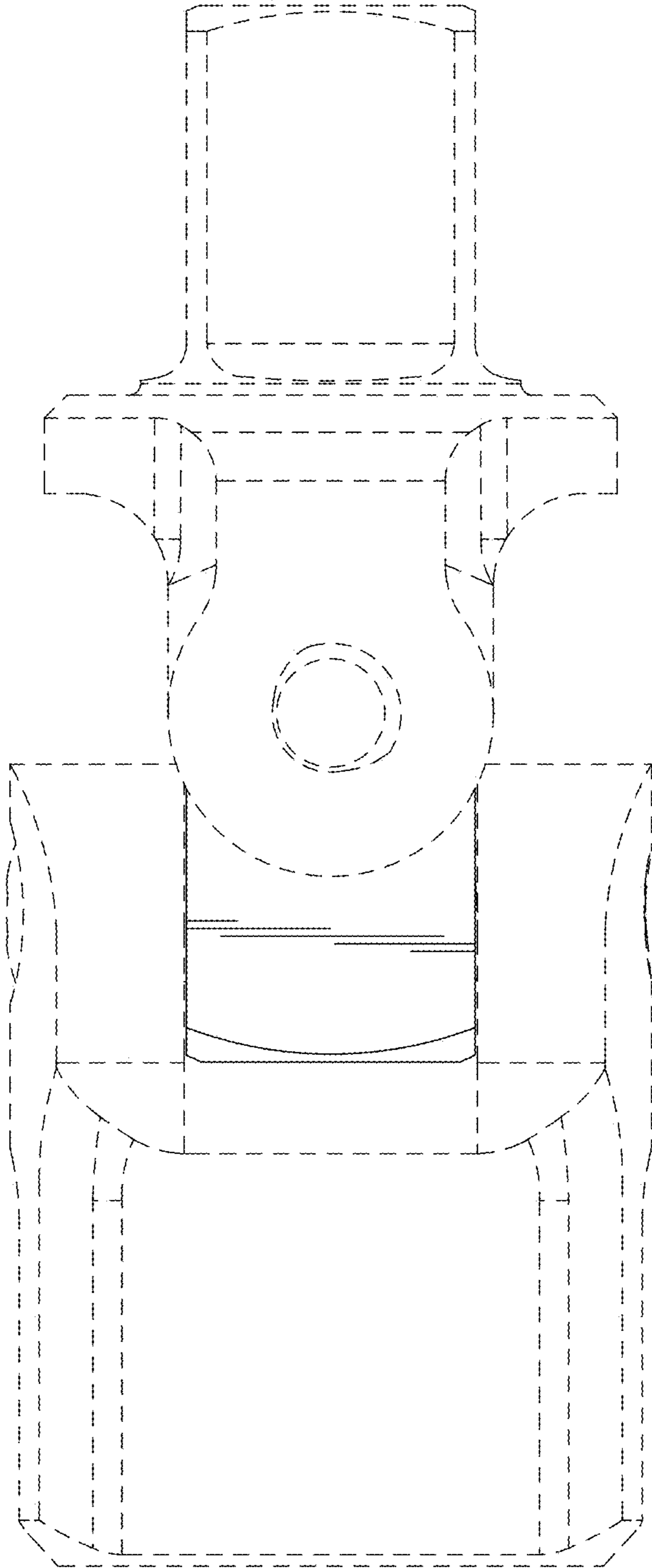


FIG.3

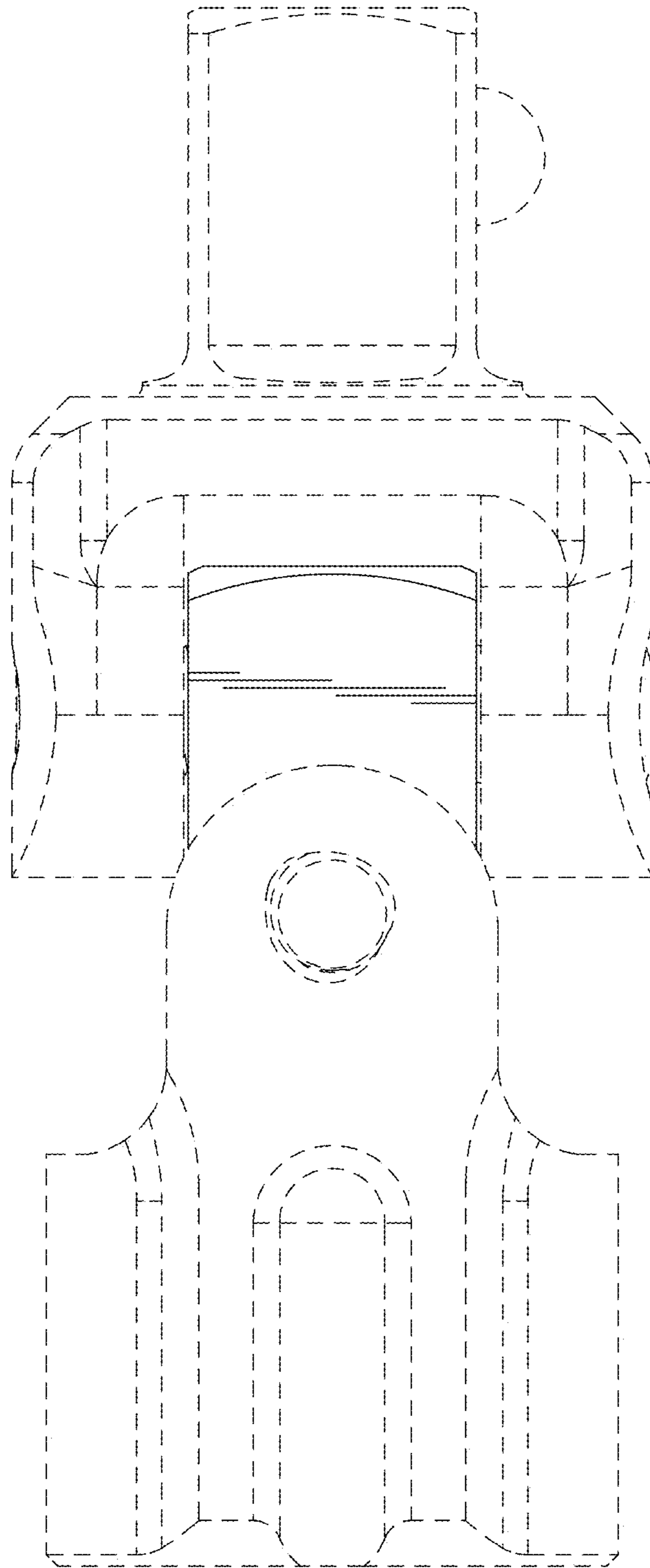


FIG.4

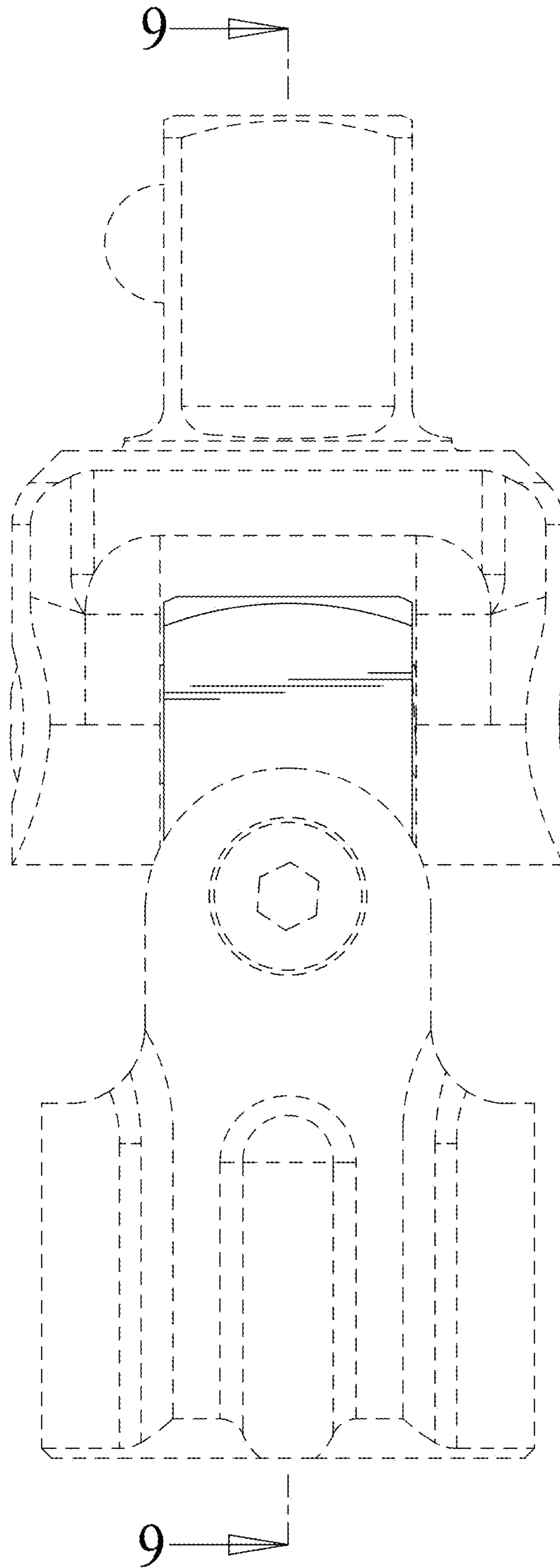


FIG.5

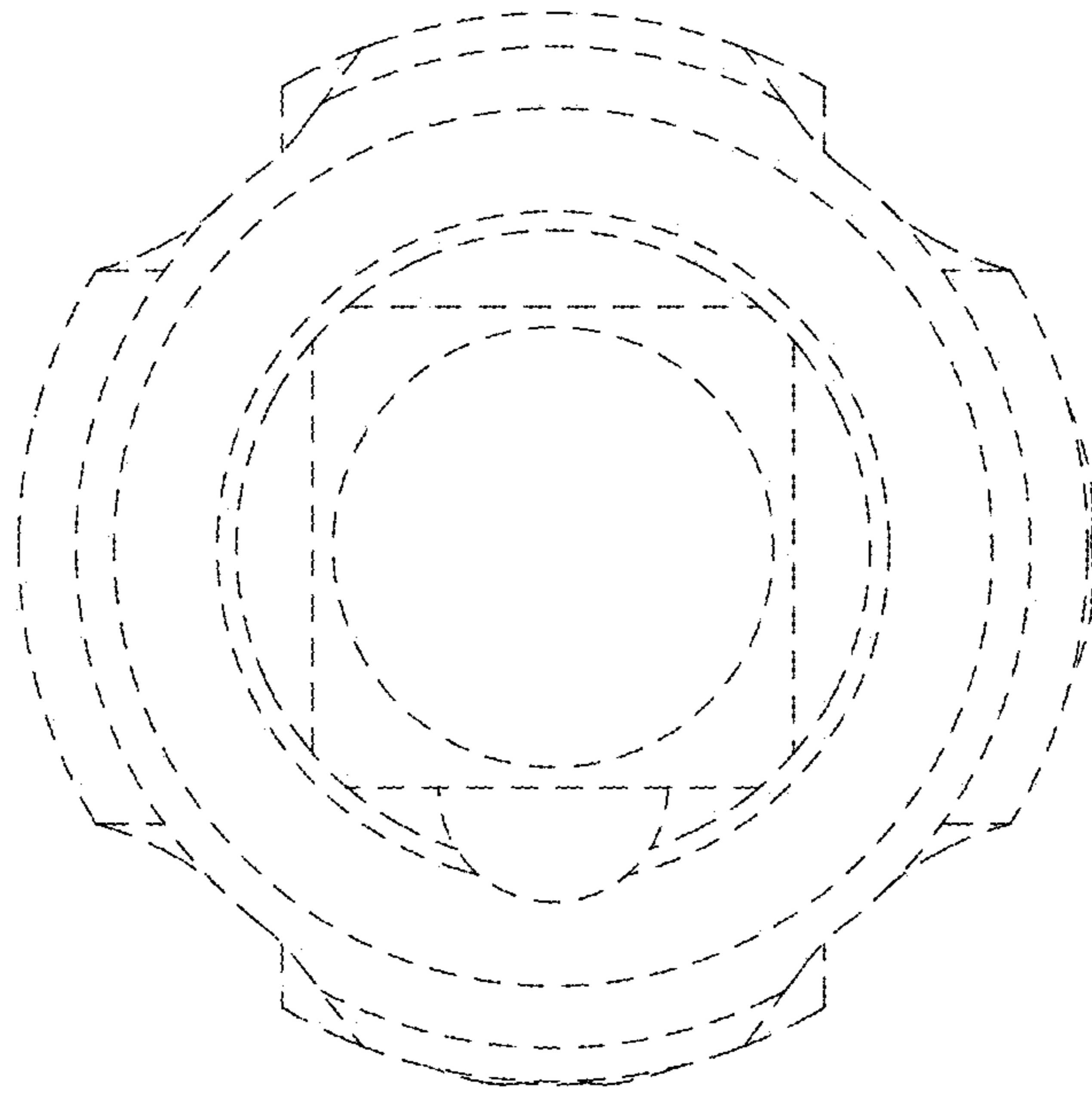


FIG.6

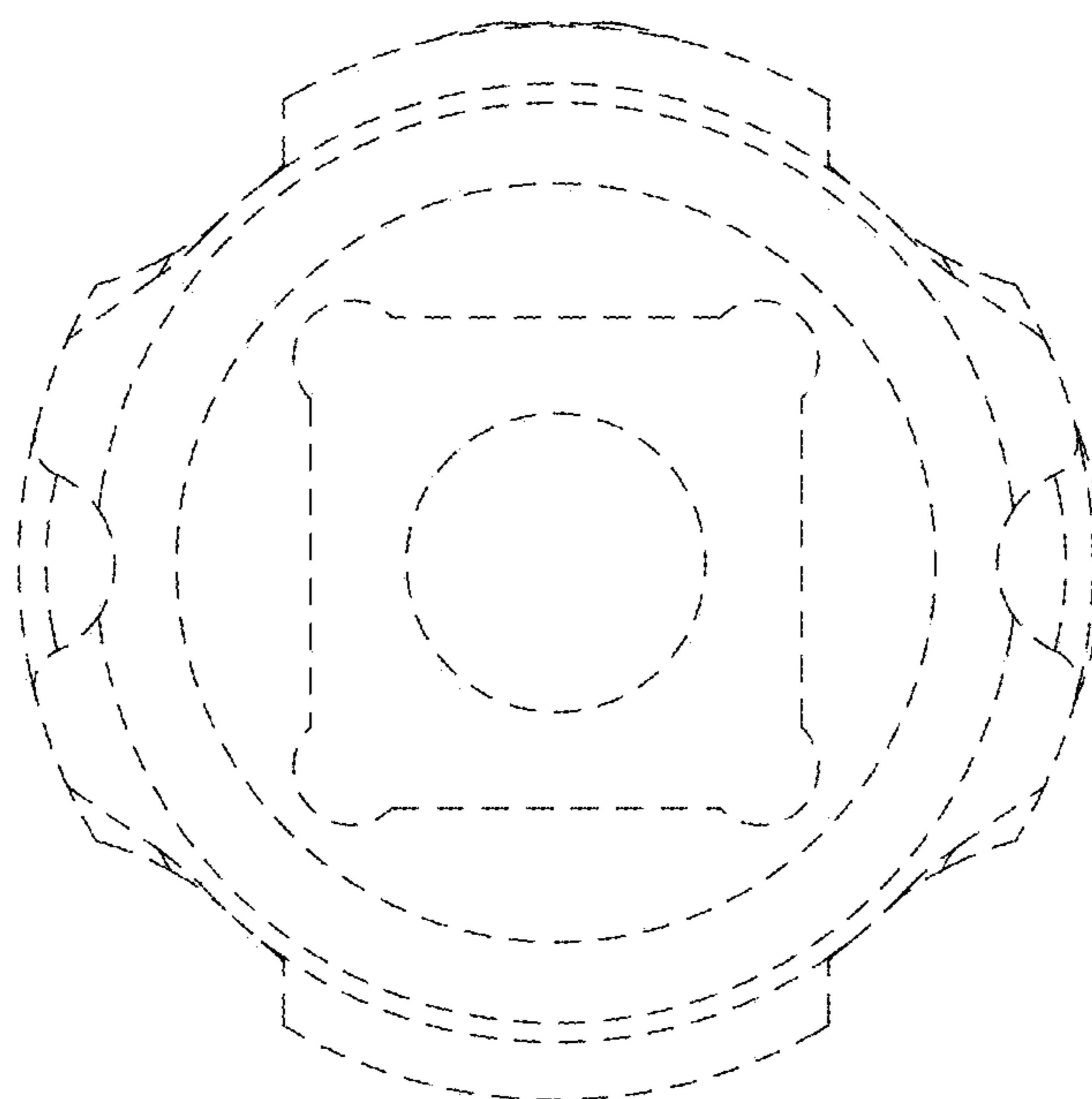


FIG. 7

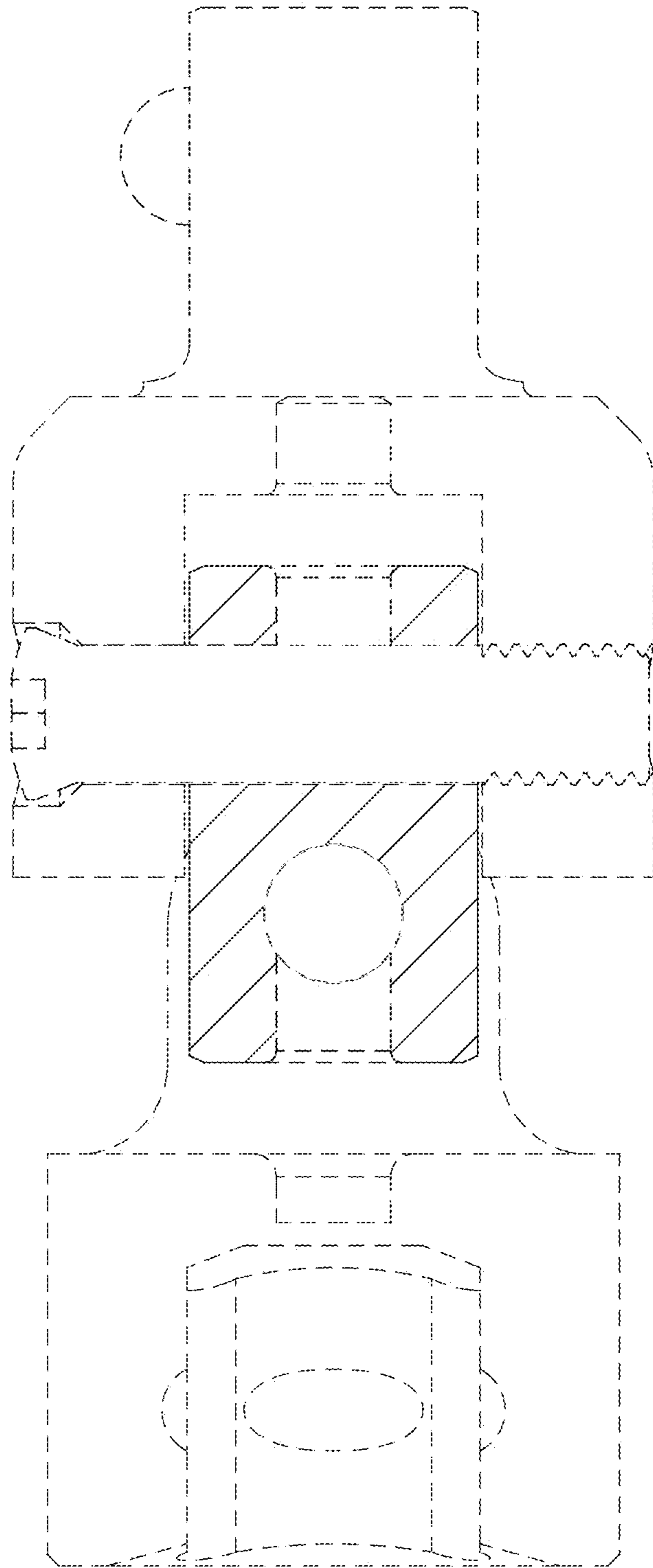


FIG.8

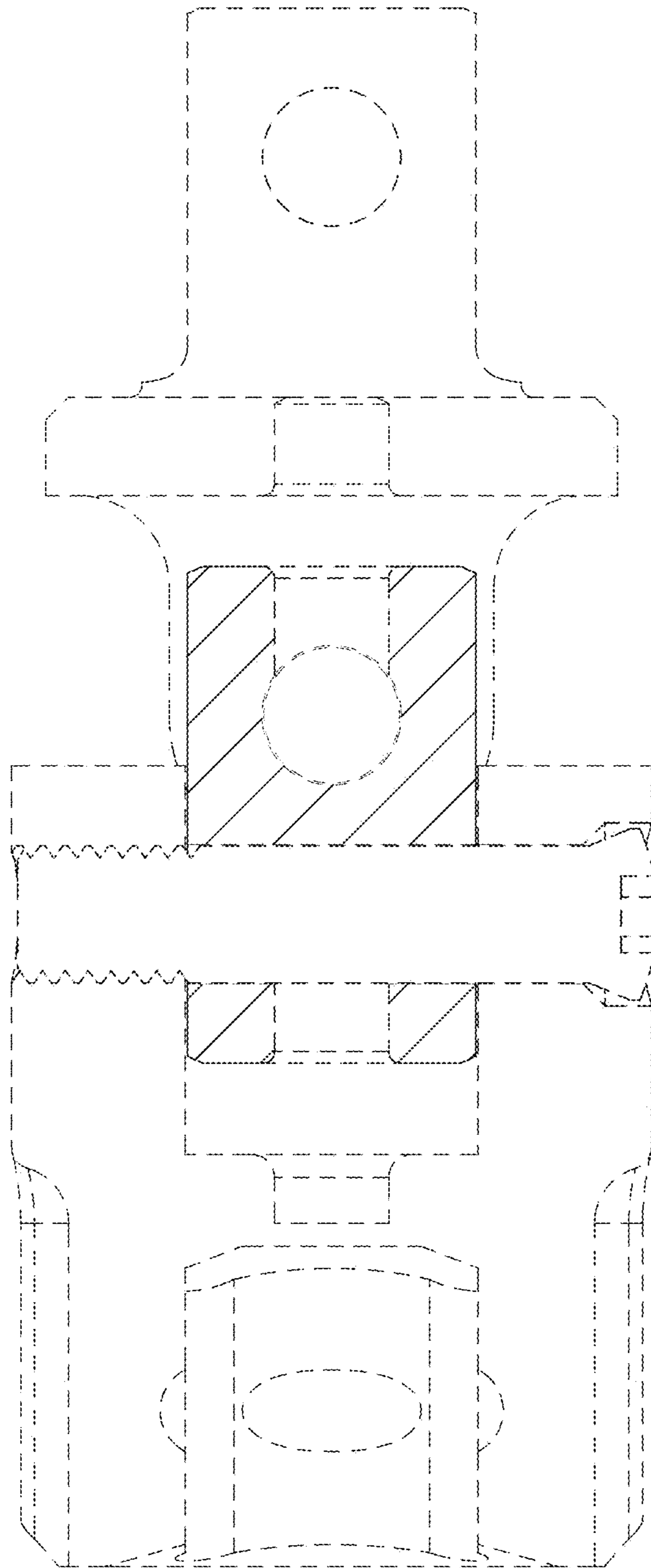


FIG.9

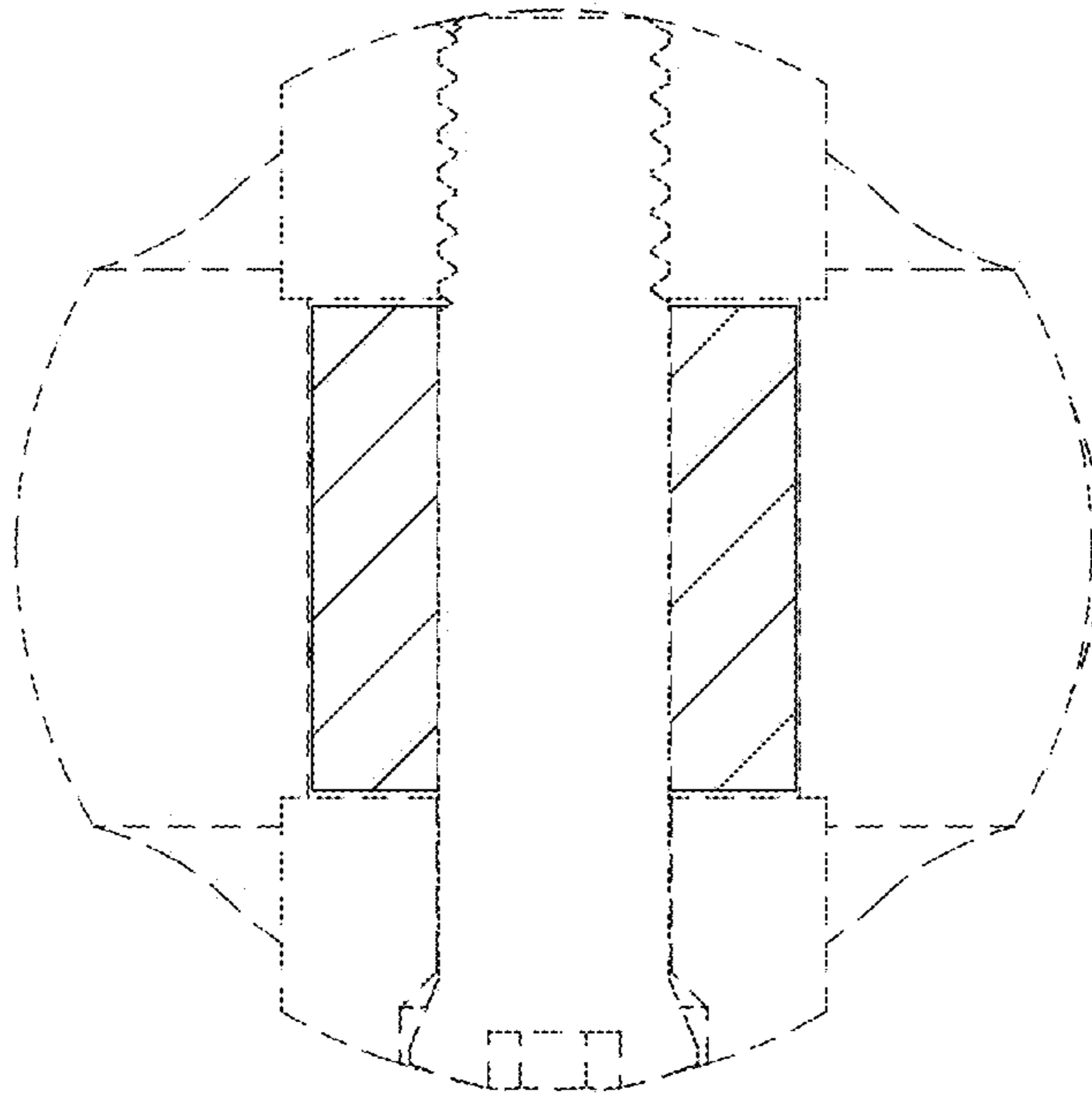


FIG. 10

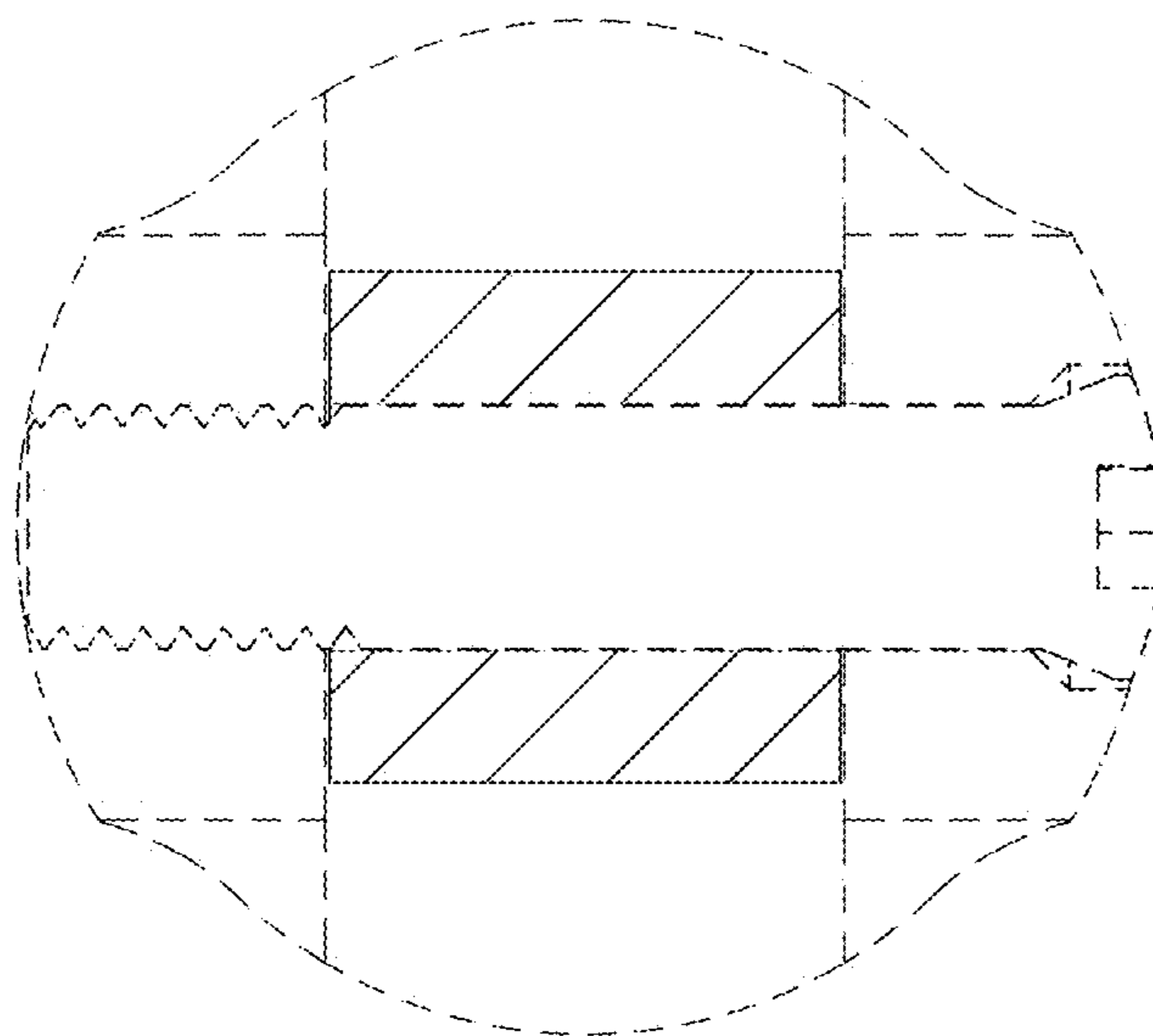


FIG. 11

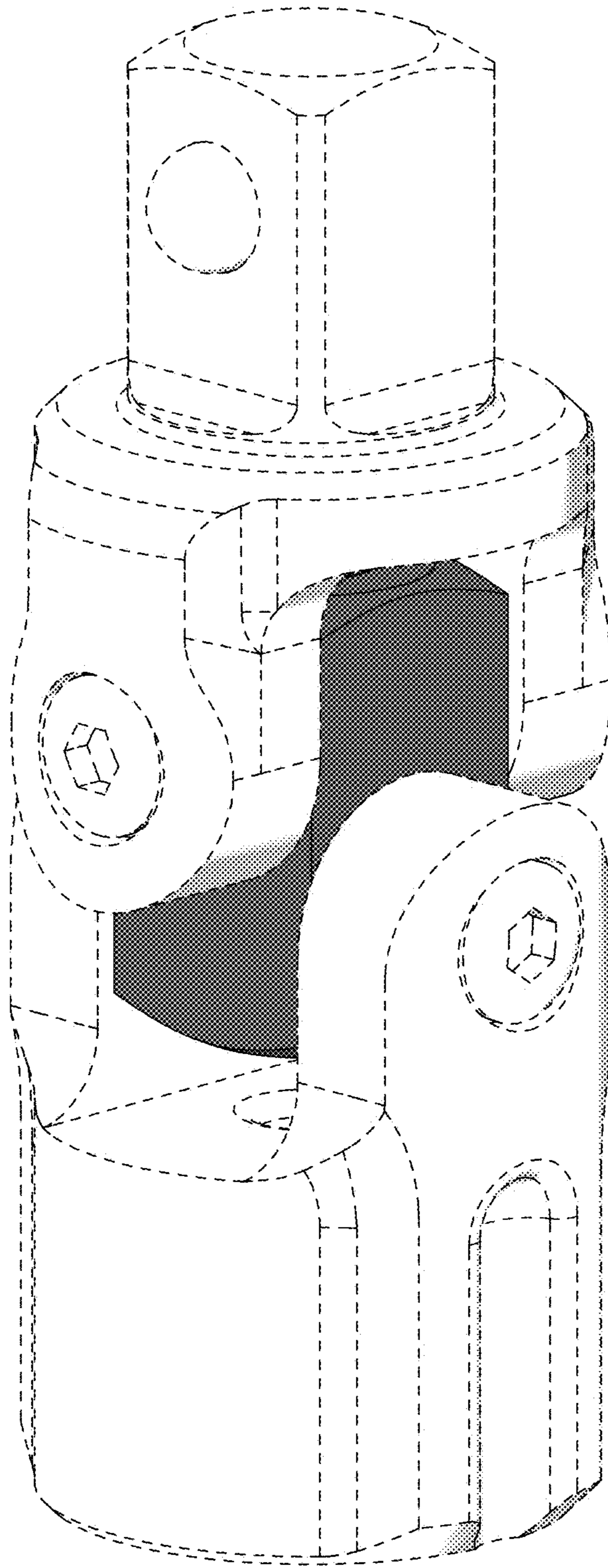


FIG.12

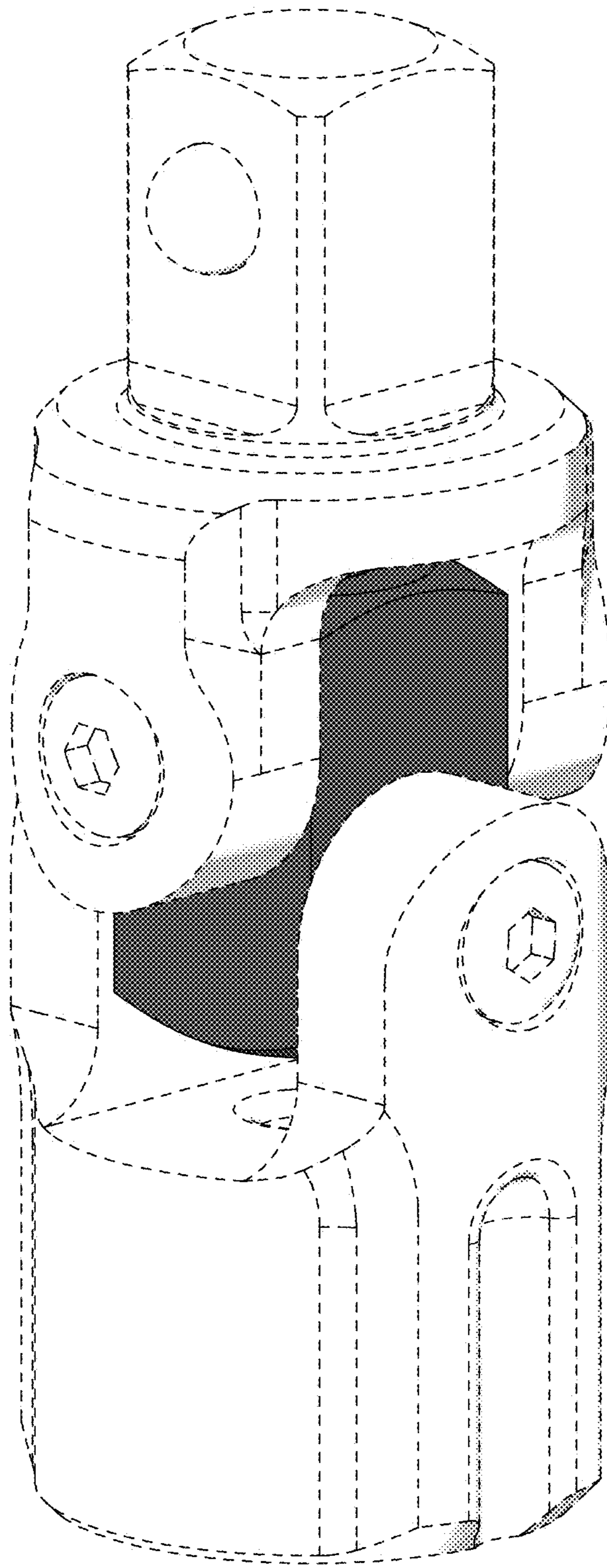


FIG.13