



US00D959255S

(12) **United States Design Patent** (10) **Patent No.:** **US D959,255 S**  
**Schramm et al.** (45) **Date of Patent:** **\*\* \*Aug. 2, 2022**

(54) **NUT** 4,253,353 A \* 3/1981 Symbol ..... B25B 19/00  
81/463  
(71) Applicant: **Caterpillar Inc.**, Peoria, IL (US) 4,371,293 A \* 2/1983 Wilcox et al. .... 405/302.1  
D269,410 S \* 6/1983 Johansson ..... D8/367  
(72) Inventors: **Zachary Alan Schramm**, Glendale, AZ D269,411 S \* 6/1983 Johansson ..... D8/367  
(US); **Bradley James Briars**, Palatine, D290,965 S \* 7/1987 Satalof et al. .... D17/13  
IL (US); **Robert E. Riedel, Jr.**, Fox D331,695 S \* 12/1992 O'Keefe ..... D8/356  
River Grove, IL (US) D339,814 S \* 9/1993 Pepper ..... D15/139  
5,251,964 A \* 10/1993 Ojanen ..... B23K 1/001  
175/435  
(73) Assignee: **Caterpillar Inc.**, Peoria, IL (US) D360,127 S \* 7/1995 Stiner ..... D20/42  
D364,084 S \* 11/1995 Yaich ..... D8/356

(\*) Notice: This patent is subject to a terminal disclaimer.

(\*\*) Term: **15 Years**

(21) Appl. No.: **29/722,300**

(22) Filed: **Jan. 28, 2020**

(51) **LOC (13) Cl.** ..... **08-08**

(52) **U.S. Cl.**  
USPC ..... **D8/397**

(58) **Field of Classification Search**  
USPC ..... D8/394, 382, 349, 397-399; 411/427,  
411/374  
CPC ..... A61B 17/0401; E04D 13/1476; E04G  
25/065; F16B 41/002; F16B 23/0061;  
F16B 37/14; F16B 35/00  
See application file for complete search history.

(56) **References Cited**

**U.S. PATENT DOCUMENTS**

92,199 A \* 7/1869 Mair ..... 24/713.7  
139,230 A \* 5/1873 Bell ..... 403/210  
713,537 A \* 11/1902 Treadwell ..... 403/282  
2,379,804 A \* 7/1945 Johnson ..... 411/302  
D172,741 S \* 8/1954 Cooper ..... D8/367  
2,813,692 A \* 11/1957 Peterson et al. .... 248/56  
D197,915 S \* 4/1964 Ayars ..... 7/164  
4,089,077 A \* 5/1978 Morton ..... B25F 1/00  
7/138  
D249,326 S \* 9/1978 Johanson ..... D8/367

**FOREIGN PATENT DOCUMENTS**

WO WO2016205208 A1 12/2016

**OTHER PUBLICATIONS**

Non-Final Office Action for U.S. Appl. No. 16/774,772 "Nut for Joining Conduits" Schramm,Z. 18 pages.

*Primary Examiner* — Cynthia R Underwood  
(74) *Attorney, Agent, or Firm* — Lee & Hayes, PLLC

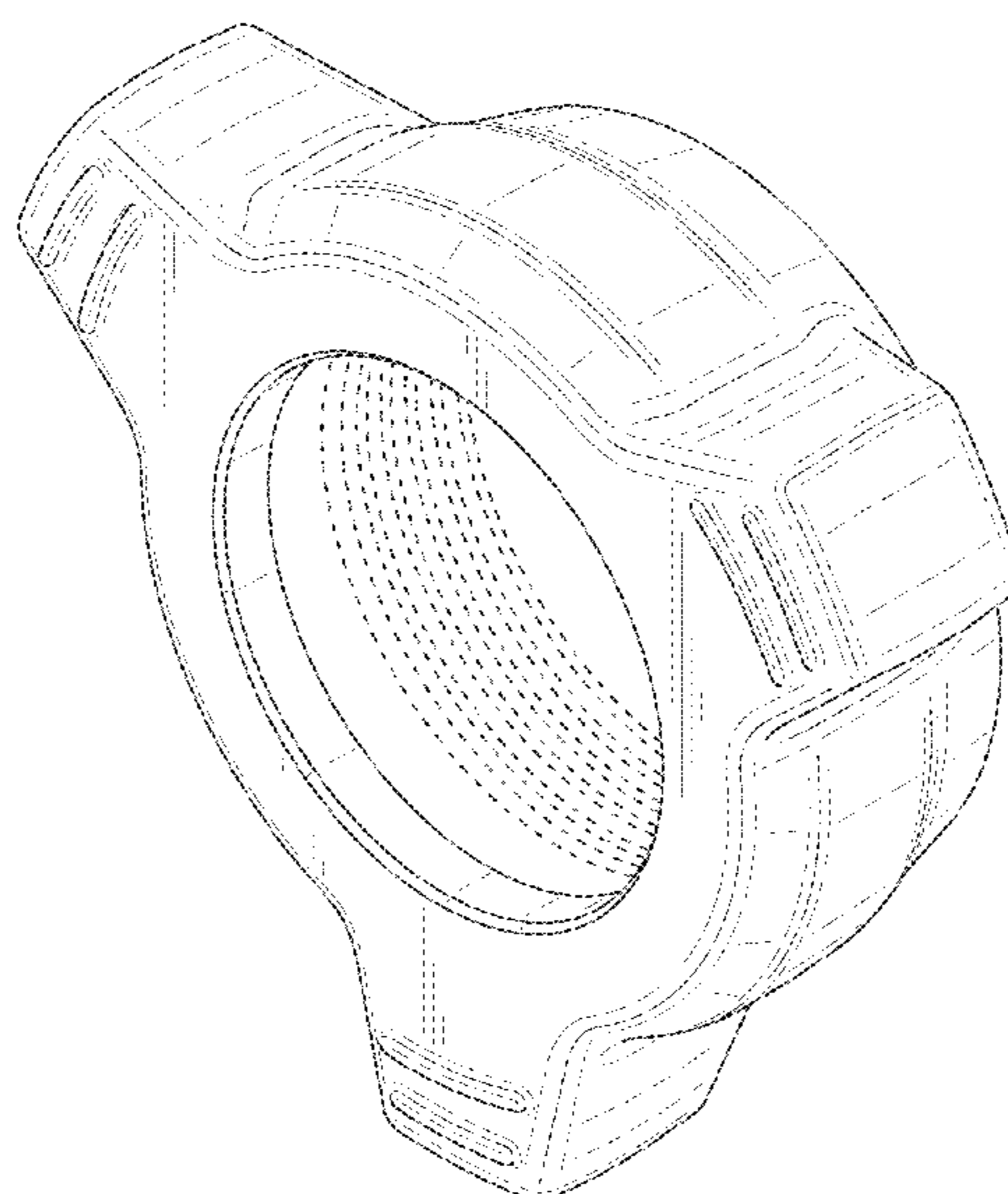
(57) **CLAIM**

The ornamental design for a nut, as shown and described.

**DESCRIPTION**

FIG. 1 is a top, right-side perspective view of a nut;  
FIG. 2 is a top view thereof;  
FIG. 3 is a bottom view thereof;  
FIG. 4 is a left-side view thereof;  
FIG. 5 is a right-side view thereof;  
FIG. 6 is back view thereof;  
FIG. 7 is a front view thereof; and,  
FIG. 8 is a cross-section, right-side view thereof, taken along section line 8-8 in FIG. 3.  
The broken lines depict portions of the nut that form no part of the claimed design.

**1 Claim, 8 Drawing Sheets**



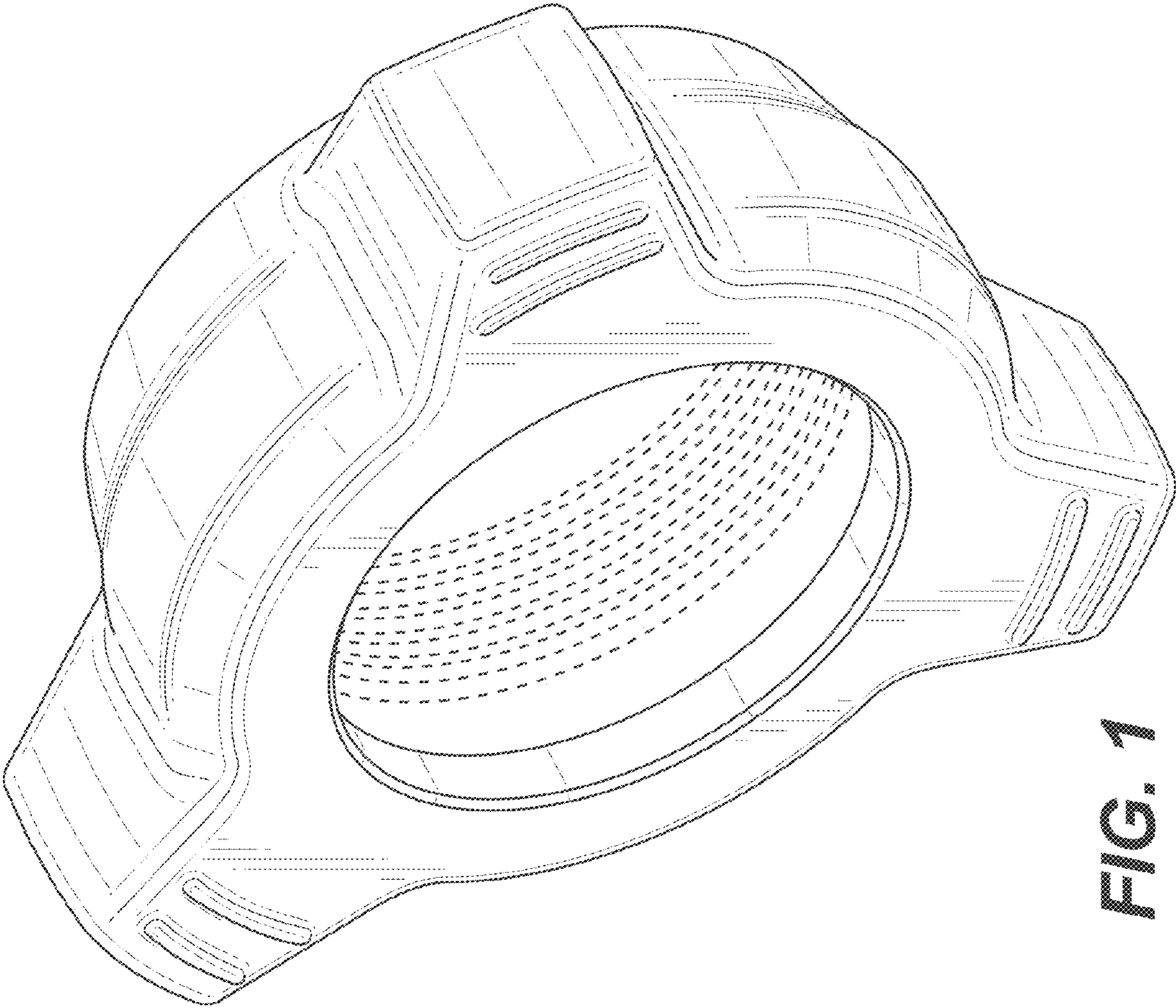
(56)

References Cited

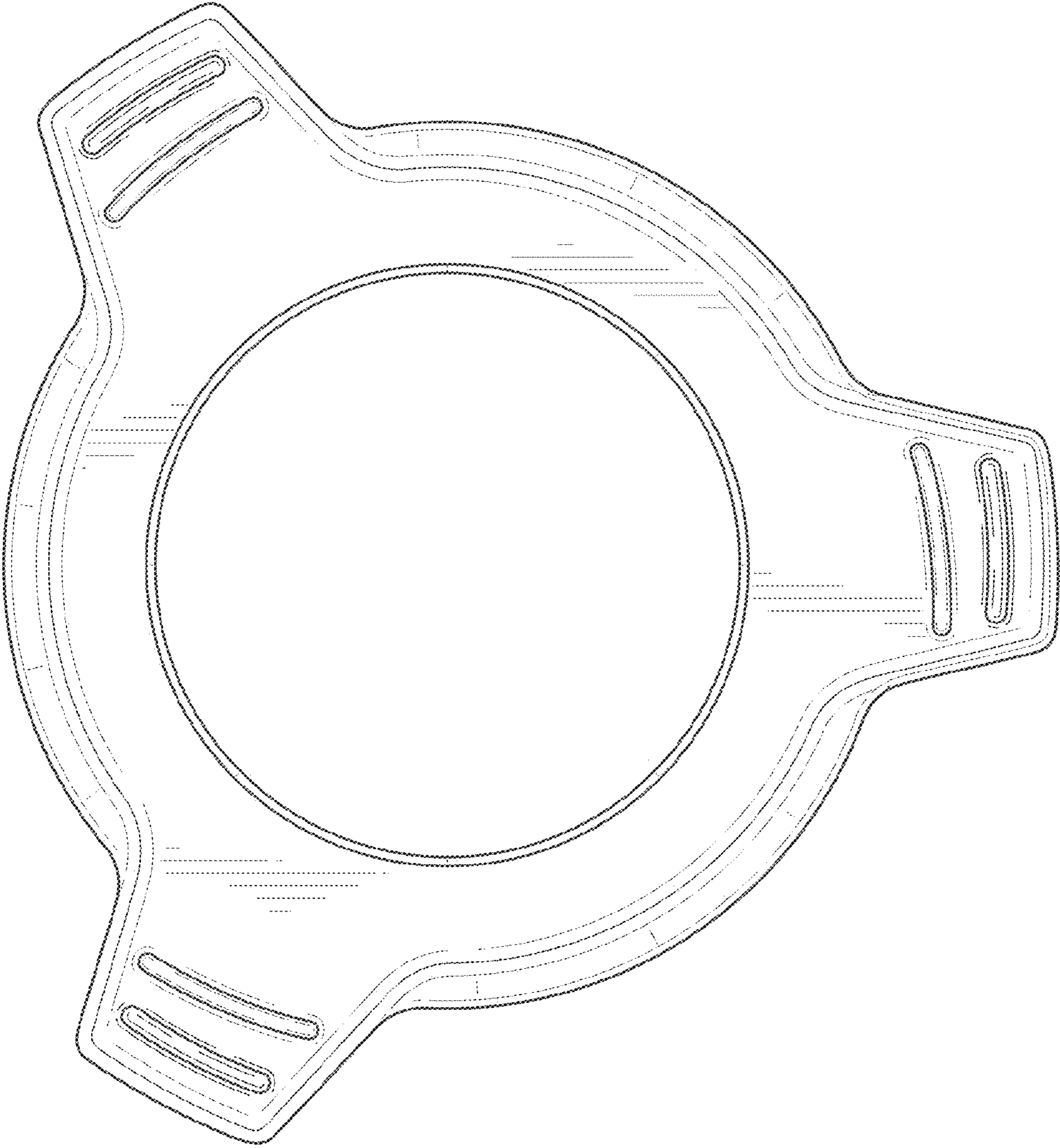
U.S. PATENT DOCUMENTS

5,684,258	A *	11/1997	Liao	.....	G10D 13/00				
					224/910				
D399,730	S *	10/1998	Pitre	.....	D8/399				
5,819,610	A *	10/1998	Brannan	.....	B25B 13/48				
					81/437				
6,130,375	A *	10/2000	Kellogg et al.	.....	84/327				
6,253,942	B1 *	7/2001	Elias	.....	B65D 41/0485				
					215/305				
6,505,532	B1 *	1/2003	Lawson	.....	B25B 13/48				
					81/124.3				
6,781,048	B1 *	8/2004	Royce	.....	84/454				
D512,302	S *	12/2005	Velten	.....	D8/397				
D550,545	S *	9/2007	Ernst et al.	.....	D8/373				
D558,306	S *	12/2007	McCluskey	.....	D23/264				
D561,019	S *	2/2008	Riedel	.....	D8/397				
D563,206	S *	3/2008	Bakker et al.	.....	D8/356				
D568,149	S *	5/2008	Riedel	.....	D8/397				
D582,763	S *	12/2008	Riedel	.....	D8/397				
D598,919	S *	8/2009	Takemasa et al.	.....	D14/432				
7,568,874	B2 *	8/2009	Riedel	.....	F16B 23/0061				
					411/935				
D620,781	S *	8/2010	Weckworth	.....	D8/356				
D625,915	S *	10/2010	Parsley et al.	.....	D3/232				
D630,497	S *	1/2011	Allina, Jr.	.....	H01R 4/48				
					D8/356				
D636,623	S *	4/2011	Edgemont	.....	D6/595				
7,930,800	B1 *	4/2011	Castrale et al.	.....	16/2.2				
8,096,017	B2 *	1/2012	Van Walraven et al.	.....	16/2.1				
D661,343	S *	6/2012	Cox	.....	D17/99				
D674,350	S *	1/2013	Hodge et al.	.....	D13/155				
D684,845	S *	6/2013	Wood	.....	A62B 35/04				
					D8/356				
D691,034	S *	10/2013	Field	.....	D8/399				
8,545,157	B2 *	10/2013	Golovashchenko	.....	411/531				
8,567,029	B2 *	10/2013	Oymaian	.....	B23D 63/18				
					254/25				
D693,668	S *	11/2013	Wojtowicz	.....	D8/394				
8,616,818	B2 *	12/2013	Travis	.....	F16B 43/00				
					411/371.1				
D702,543	S *	4/2014	Bell	.....	D8/397				
D713,237	S *	9/2014	Towner	.....	D8/323				
D713,240	S *	9/2014	Chance	.....	D8/356				
D717,620	S *	11/2014	Miyazaki	.....	D8/30				
D721,952	S *	2/2015	Parthibhan	.....	D8/397				
9,109,727	B1 *	8/2015	Madson	.....	B25B 13/50				
D747,183	S *	1/2016	Davidson	.....	D8/397				
D763,674	S *	8/2016	Nagaki	.....	D8/394				
D769,111	S *	10/2016	Kamiya	.....	D8/394				
D776,519	S *	1/2017	Almaghlouth	.....	D8/399				
D778,702	S *	2/2017	Mouthaan	.....	D8/71				
D785,140	S *	4/2017	Gross	.....	D23/259				
9,782,876	B2 *	10/2017	Francis	.....	B25B 21/002				
D809,375	S *	2/2018	Wyser	.....	D8/395				
D817,140	S *	5/2018	Mouthaan	.....	D8/71				
10,006,479	B2 *	6/2018	Dickinson	.....	B29C 45/006				
D830,161	S *	10/2018	Russo	.....	D8/399				
D835,503	S *	12/2018	Votel	.....	D8/394				
D835,979	S *	12/2018	Lin	.....	D8/399				
10,159,378	B1 *	12/2018	Orban	.....	A47J 36/12				
10,174,783	B1 *	1/2019	Nichols	.....	F16B 43/001				
D840,779	S *	2/2019	Votel	.....	D8/72				
D844,424	S *	4/2019	MacDonald	.....	D8/399				
D845,100	S *	4/2019	Gonzalez Garcia	.....	D8/71				
D849,891	S *	5/2019	Beeson	.....	D23/259				
D859,135	S *	9/2019	Pista	.....	D8/387				
D859,973	S *	9/2019	Foerster, Jr.	.....	D8/397				
D882,389	S *	4/2020	Schramm	.....	D8/397				
D903,481	S *	12/2020	Harders	.....	D8/397				
D907,562	S *	1/2021	Iverson	.....	D12/400				
10,941,805	B2 *	3/2021	Schramm	.....	F16L 33/24				
11,255,470	B2 *	2/2022	Morreale	.....	F16L 19/0225				
2009/0265891	A1 *	10/2009	Pett	.....	G05G 1/10				
					16/430				
2010/0253919	A1 *	10/2010	Douglas	.....	353/13				
2012/0117784	A1 *	5/2012	Collin	.....	F16L 19/0206				
					29/525.02				
2012/0186907	A1 *	7/2012	Brendley	.....	A62B 1/14				
					182/5				
2013/0026810	A1 *	1/2013	Ojanen	.....	E21C 35/183				
					299/104				
2016/0377207	A1 *	12/2016	Witkowski	.....	F16L 19/025				
					285/386				

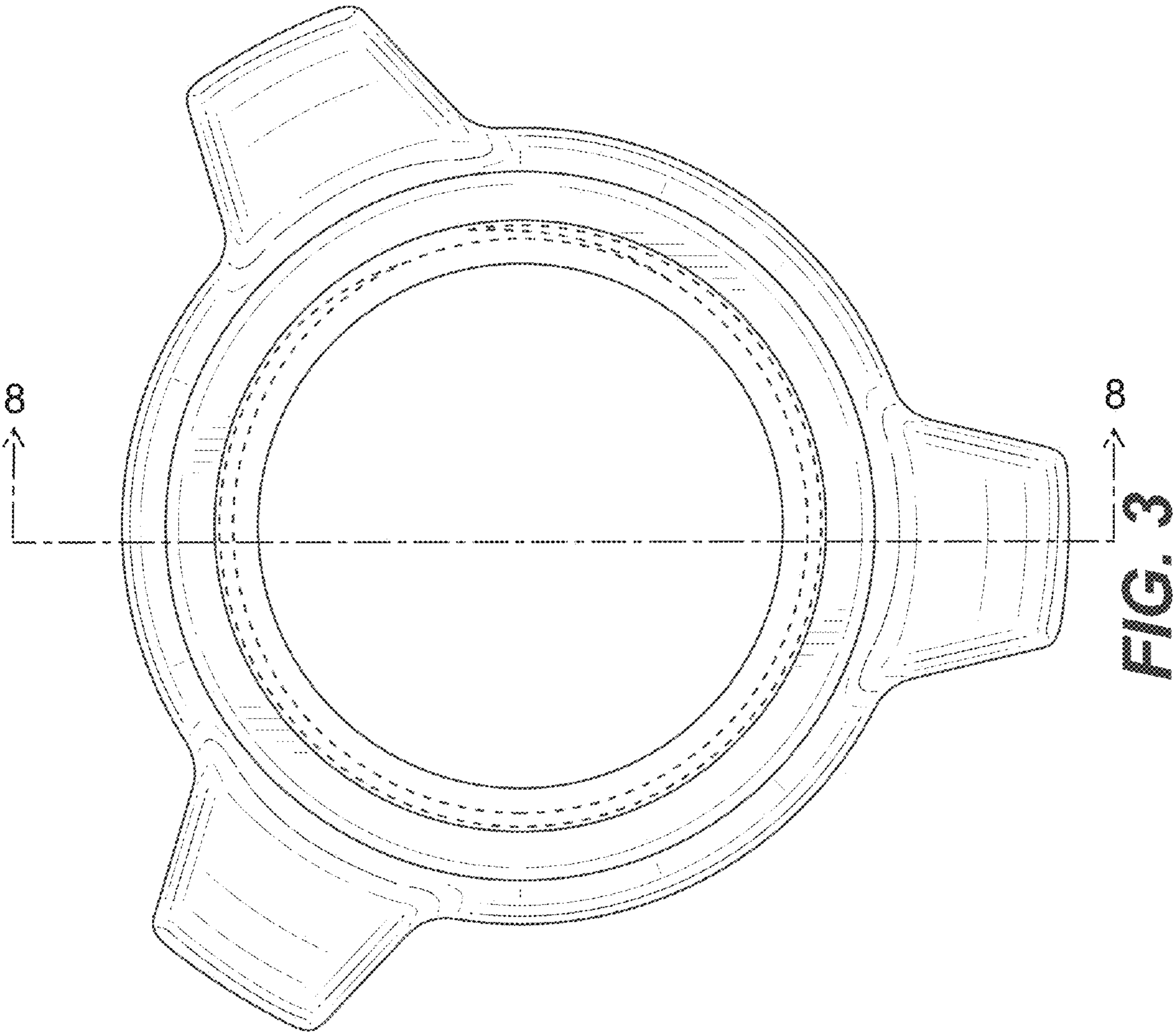
\* cited by examiner

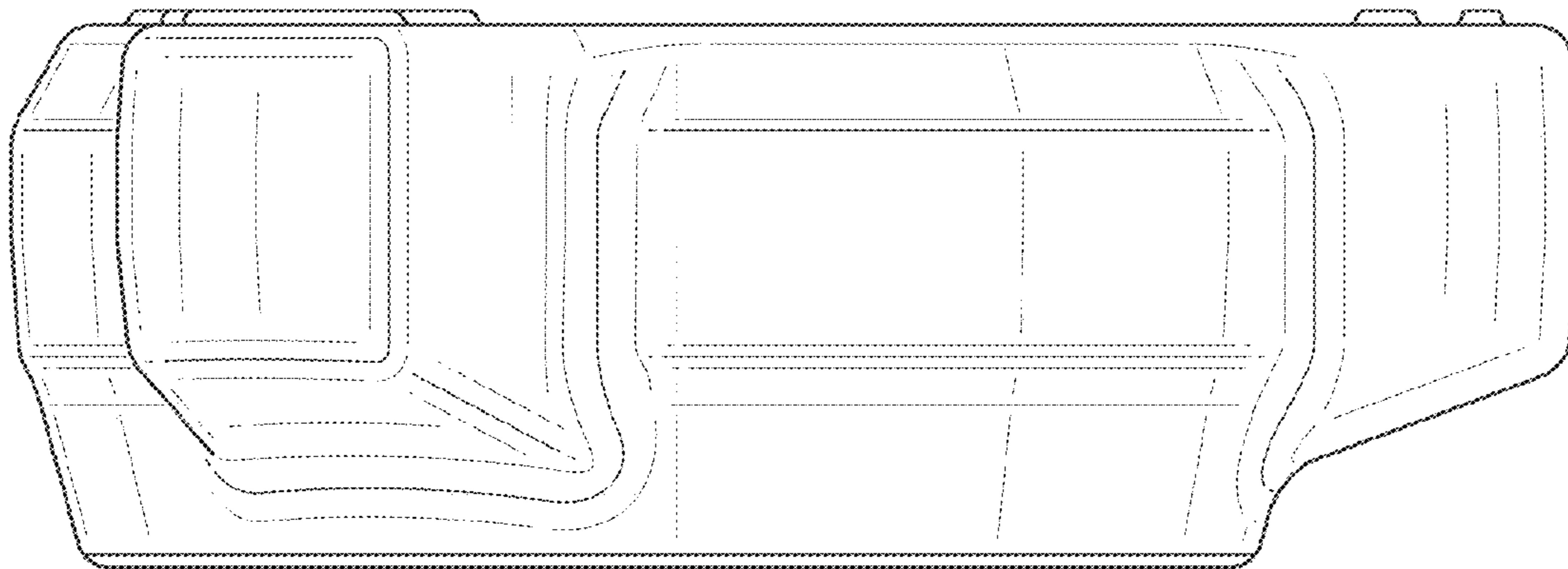


**FIG. 1**

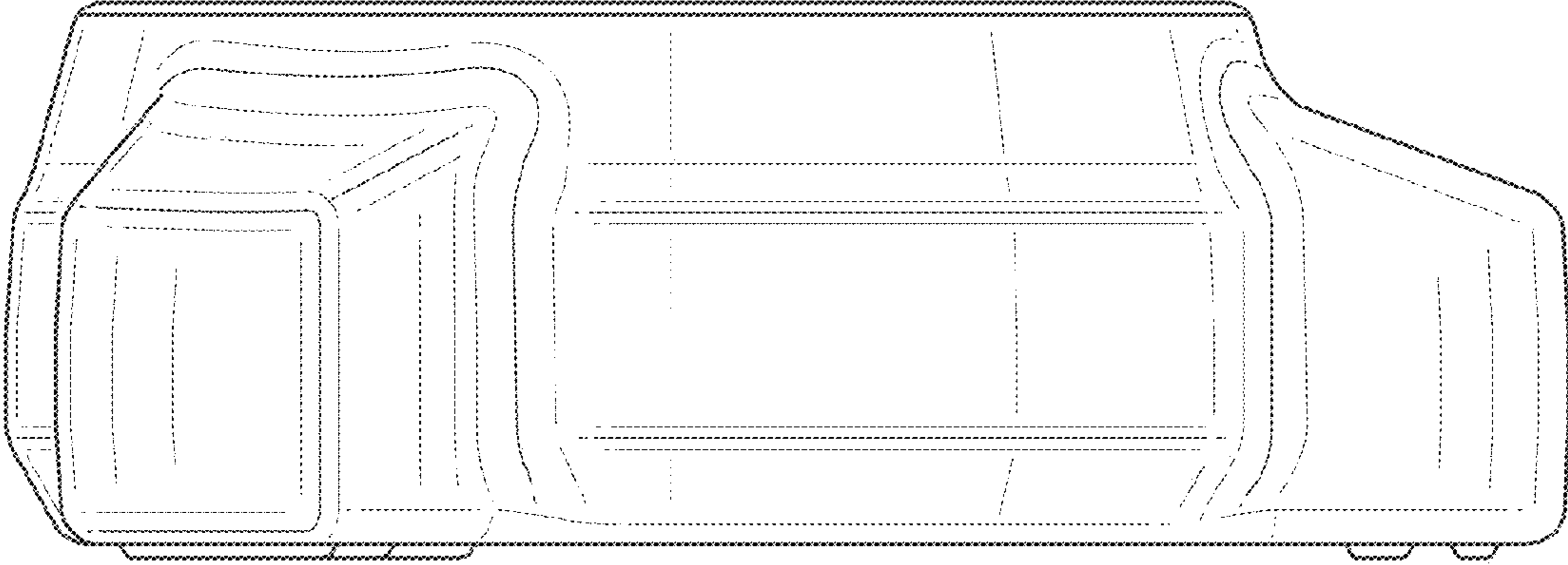


**FIG. 2**

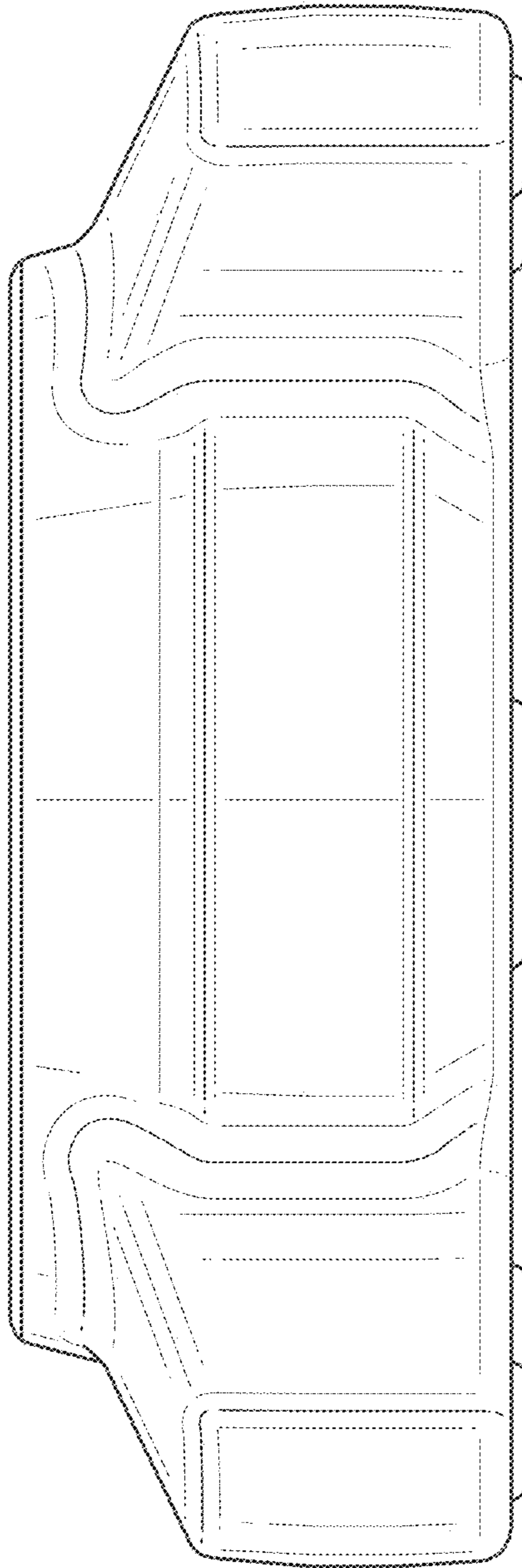




**FIG. 4**

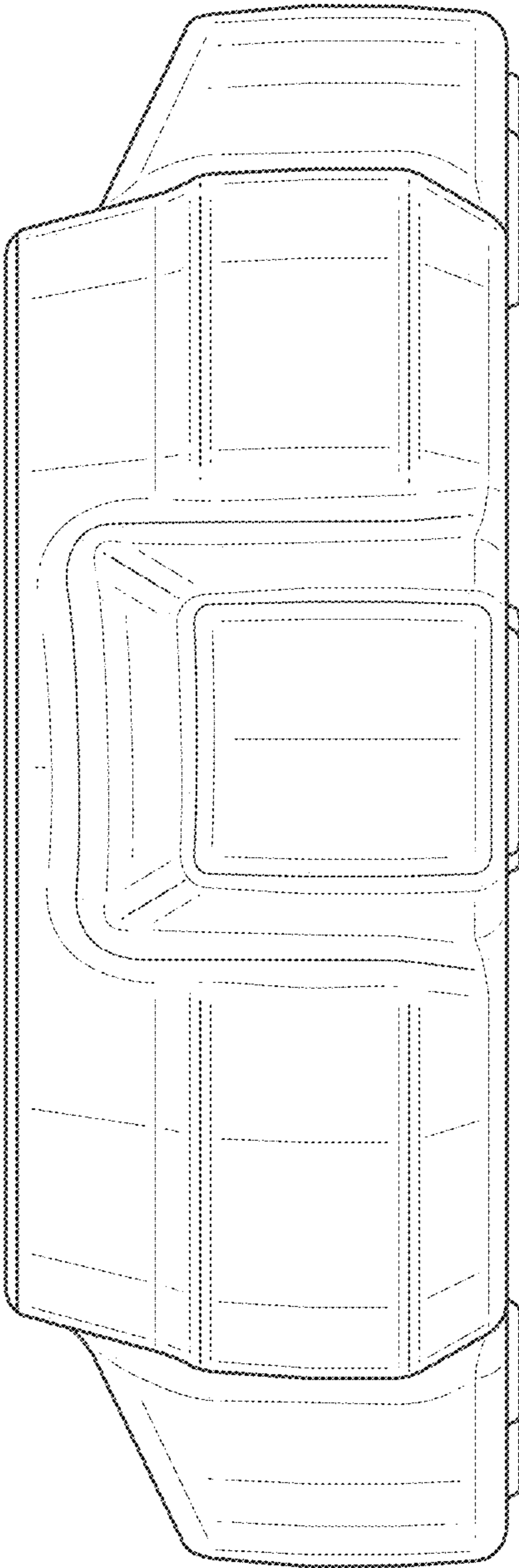


**FIG. 5**

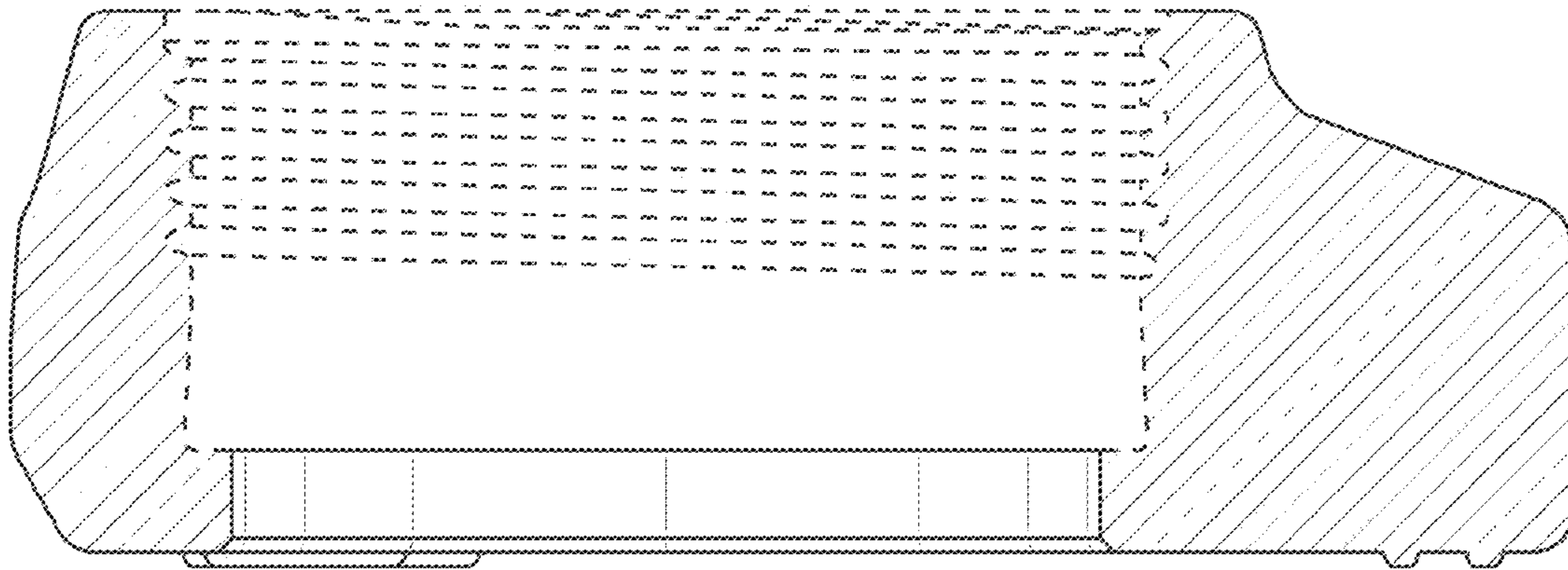


**FIG. 6**





**FIG. 7**



**FIG. 8**