



US00D959252S

(12) **United States Design Patent** (10) **Patent No.:** **US D959,252 S**
Lawson et al. (45) **Date of Patent:** **** Aug. 2, 2022**

(54) **SCREEN FRAME CORNER**

FOREIGN PATENT DOCUMENTS

(71) Applicant: **Peak Innovations Inc.**, Richmond (CA)

CA 144722 * 5/2013
CA 144733 * 5/2013

(72) Inventors: **Craig Lawson**, Burnaby (CA); **David Chen**, Burnaby (CA); **Adam Mantei**, Burnaby (CA)

(Continued)

(73) Assignee: **Peak Innovations Inc.**, Richmond (CA)

Outside Screen Frame Corner With Overlap, Image upload date: Mar. 23, 2018, Image retrieved on: Feb. 14, 2022 (online), <https://www.swisco.com/Square-Cut-Corner/pd/Corner-Keys-for-3_8-inch-Thick-Screen-Frame/95-207>.*

(**) Term: **15 Years**

(Continued)

(21) Appl. No.: **29/763,837**

(22) Filed: **Dec. 24, 2020**

Primary Examiner — Sheryl Lane
Assistant Examiner — Ieisha N Price
(74) *Attorney, Agent, or Firm* — Oyen Wiggs Green & Mutala LLP; Lawrence Chan

(30) **Foreign Application Priority Data**

Oct. 21, 2020 (CA) CA 198901

(51) **LOC (13) Cl.** **08-08**

(52) **U.S. Cl.**
USPC **D8/382**

(58) **Field of Classification Search**
USPC D8/349, 354, 382, 400, 403; D6/702, D6/301

CPC E06B 9/52; E06B 9/58; E06B 2009/527; E06B 2009/528; E06B 2009/587; E06B 3/96; E06B 3/962; E06B 3/9644; E06B 3/9628; E06B 3/9647; E06B 3/9648; E06B 3/968; E06B 3/9681; E06B 3/9682; B65D 81/053; B65D 81/057; A47G 1/17; A47G 1/0638

See application file for complete search history.

(57) **CLAIM**

The ornamental design for a screen frame corner, as shown and described.

DESCRIPTION

FIG. 1 is a top, front, left side perspective view of the screen frame corner;
FIG. 2 is a front, right, bottom perspective view thereof;
FIG. 3 is a top, rear, right side perspective view thereof;
FIG. 4 is a bottom, rear, right side perspective view thereof;
FIG. 5 is a front view thereof;
FIG. 6 is a rear view thereof;
FIG. 7 is a left side view thereof;
FIG. 8 is a right side view thereof;
FIG. 9 is a top view thereof; and,
FIG. 10 is a bottom view thereof.
The broken lines in the drawings illustrate portions of the screen frame corner that form no part of the claimed design.

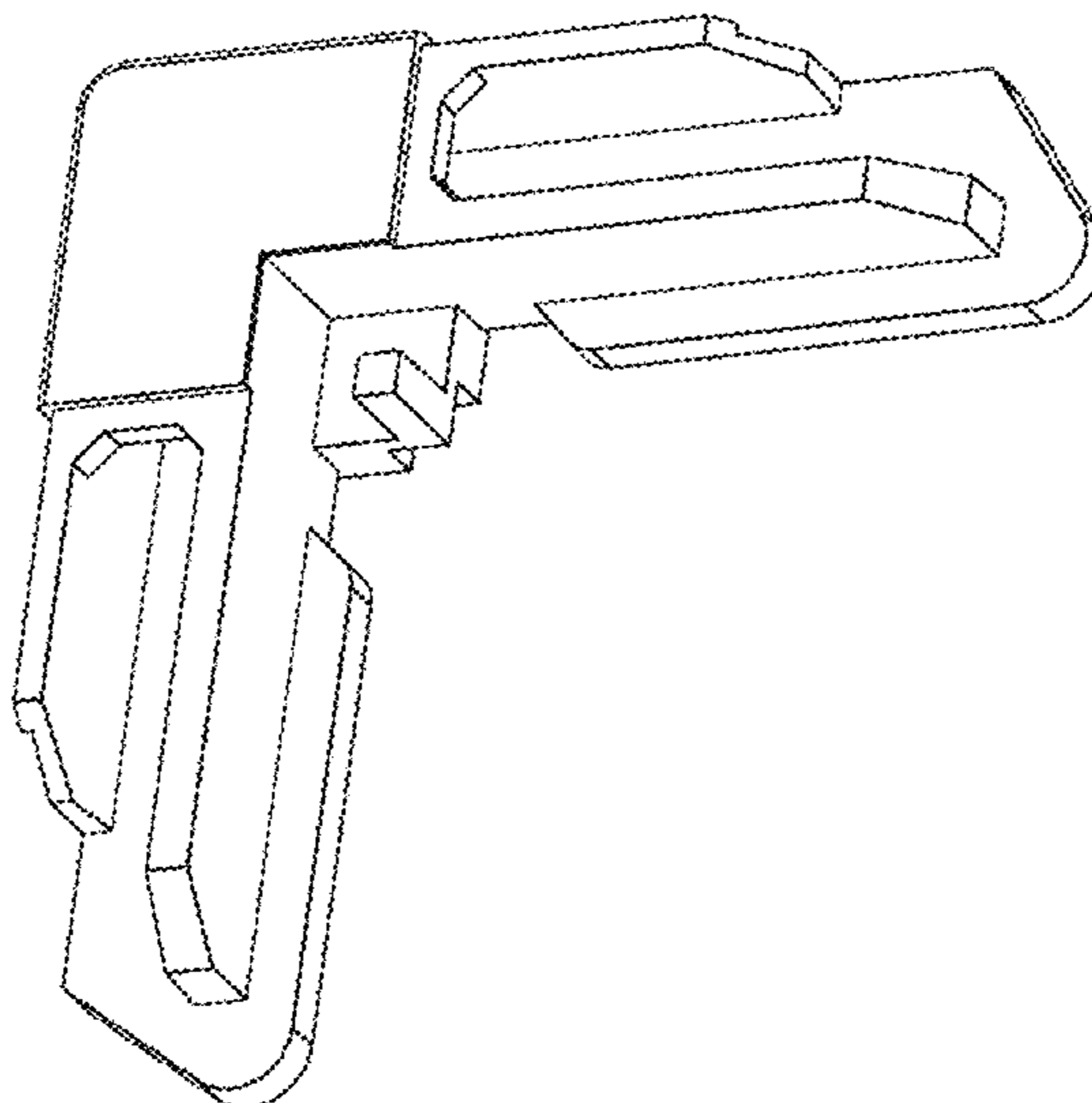
(56) **References Cited**

U.S. PATENT DOCUMENTS

1,852,866 A * 4/1932 Weitzel E06B 9/52
160/381
3,784,043 A * 1/1974 Presnick B65D 88/528
52/285.3
4,195,681 A * 4/1980 Douglas E06B 9/52
160/381

(Continued)

1 Claim, 10 Drawing Sheets



(56)

References Cited

U.S. PATENT DOCUMENTS

D267,764 S * 2/1983 Sundberg D6/300
 4,570,406 A * 2/1986 DiFazio E04C 2/384
 4,636,105 A * 1/1987 Johansson B29C 65/56
 403/402
 D288,244 S * 2/1987 Schmidt D25/119
 D307,078 S * 4/1990 Guillemet D8/382
 D317,400 S * 6/1991 Loew D8/382
 D333,607 S * 3/1993 Isler D8/382
 5,431,211 A * 7/1995 Guillemet E06B 9/52
 403/231
 5,473,853 A * 12/1995 Guillemet E06B 9/52
 160/381
 5,547,011 A * 8/1996 Dotson E06B 9/24
 403/402
 D465,033 S * 10/2002 Messier D25/102
 6,672,365 B2 * 1/2004 Therrien E06B 9/52
 160/381
 6,845,593 B2 * 1/2005 Silverman E06B 3/9647
 52/655.1
 D530,193 S * 10/2006 Goldenberg D8/400
 D731,298 S * 6/2015 Therrien D8/382

D734,136 S * 7/2015 Therrien D8/382
 2002/0005261 A1 * 1/2002 Therrien E06B 3/9647
 160/381
 2007/0056701 A1 * 3/2007 Brooker E06B 9/52
 160/381
 2008/0219759 A1 * 9/2008 Therrien E06B 9/52
 403/295
 2013/0272777 A1 * 10/2013 Hayter E06B 7/086
 403/205
 2014/0001773 A1 * 1/2014 Small E05C 1/004
 16/110.1

FOREIGN PATENT DOCUMENTS

CA 98155 * 11/2020
 KR 301084318.0000 * 11/2020
 KR 301084321.0000 * 11/2020

OTHER PUBLICATIONS

White External Screen Frame Corners, Image upload date: Unknown,
 Image retrieved on: Feb. 14, 2022 (online), <<https://www.amazon.com/White-External-Screen-Frame-Corners/dp/B07V7Y1TDW>>.*

* cited by examiner

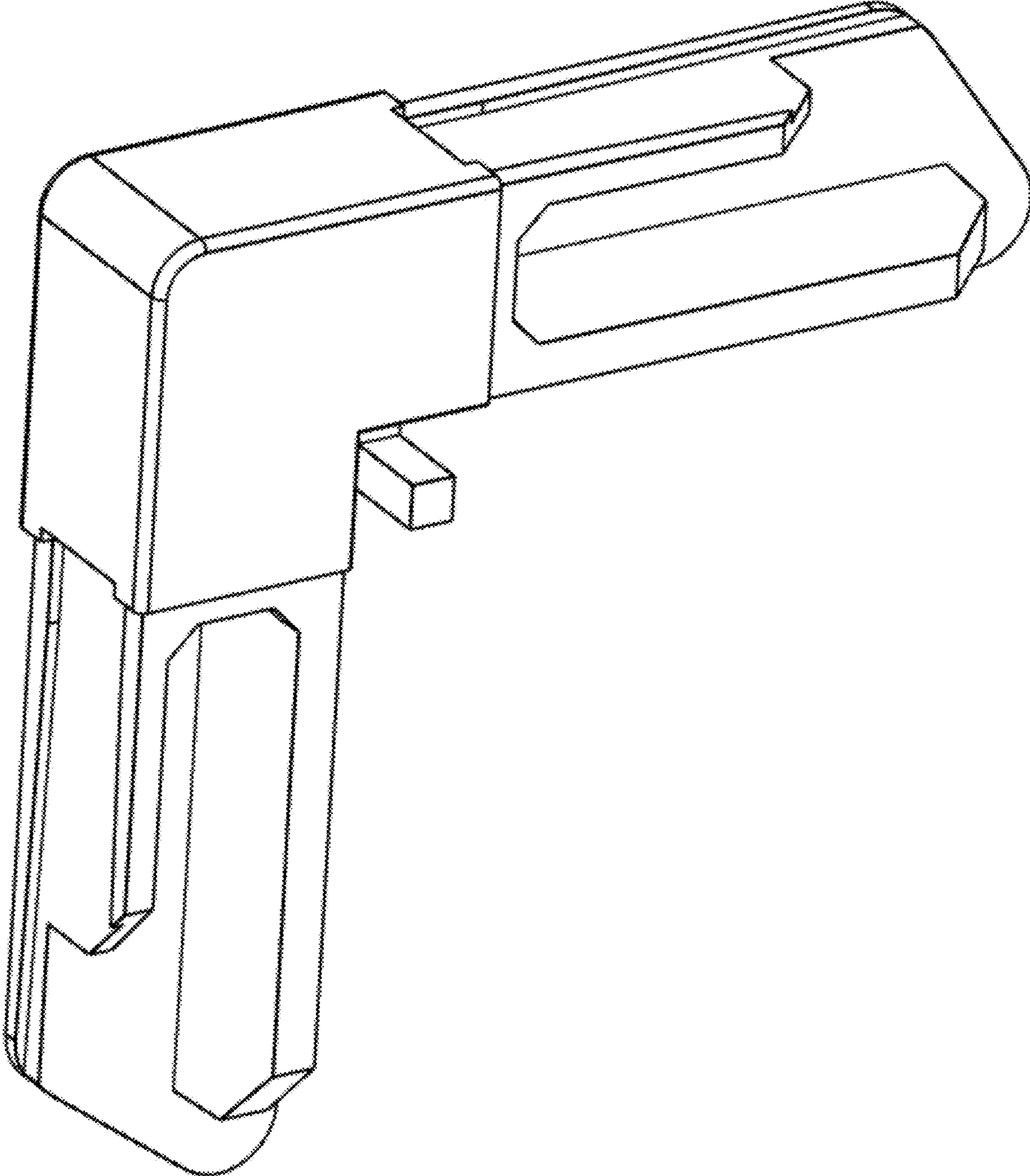


Fig. 1

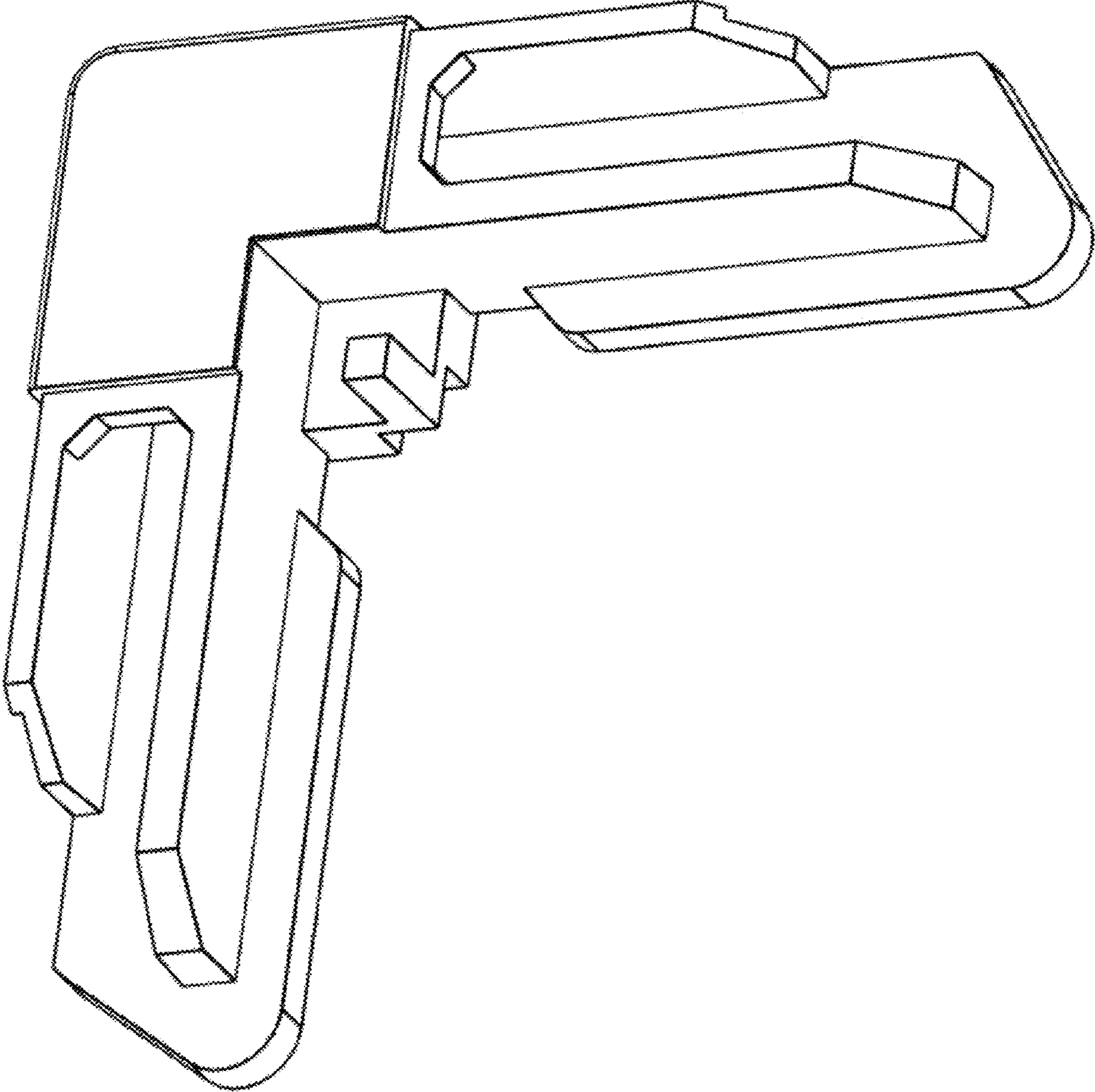


Fig. 2

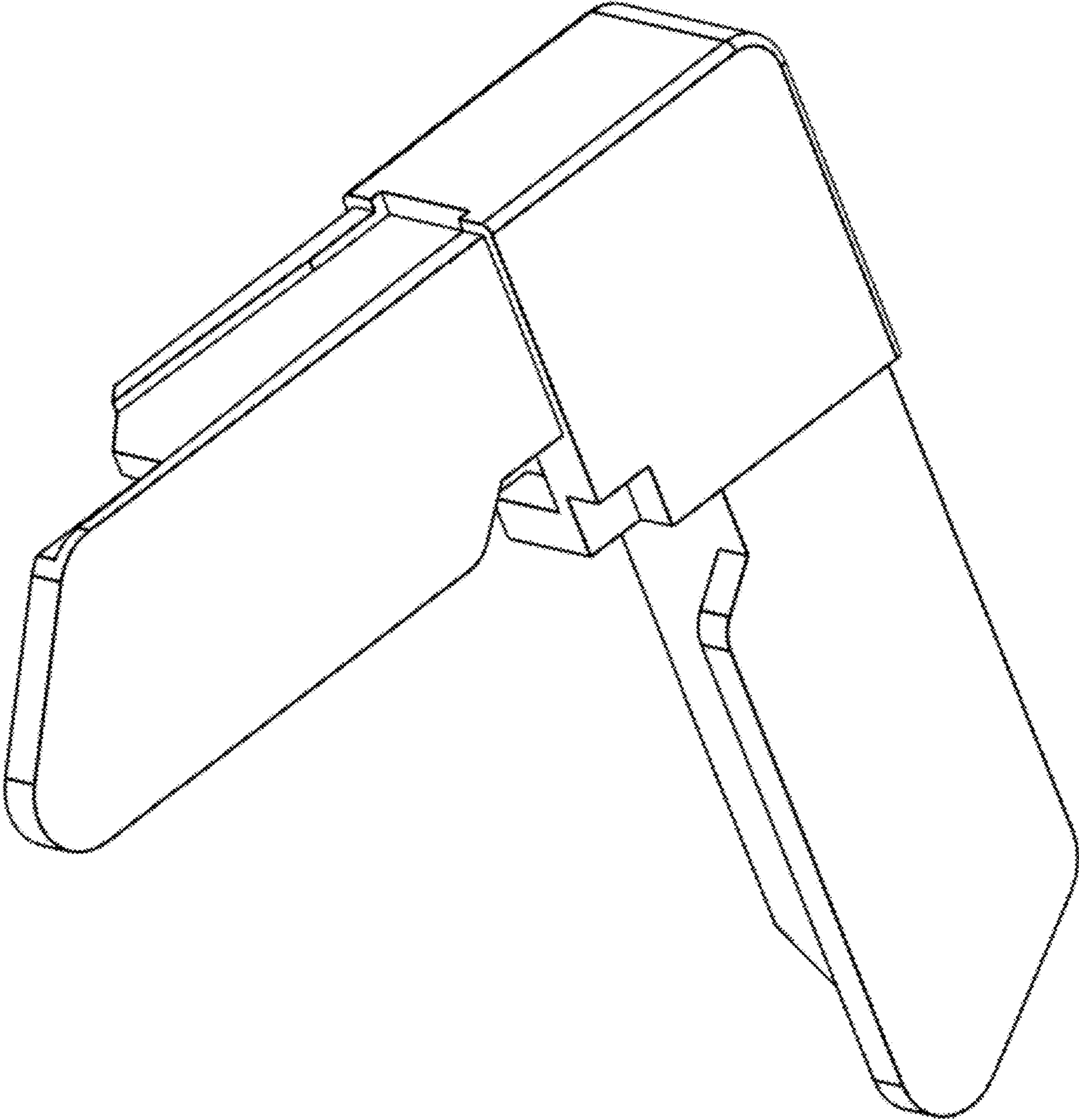


Fig. 3

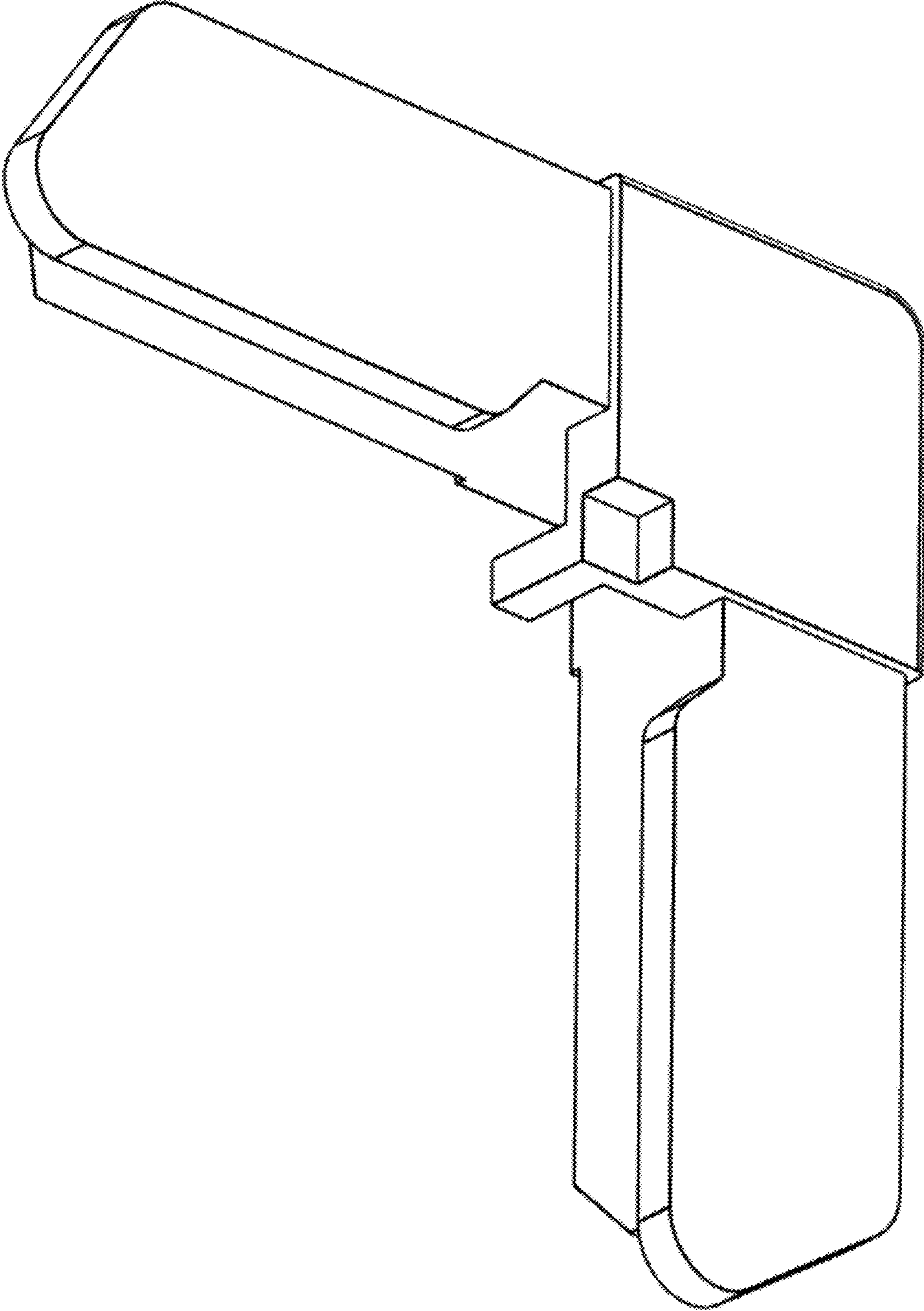


Fig. 4

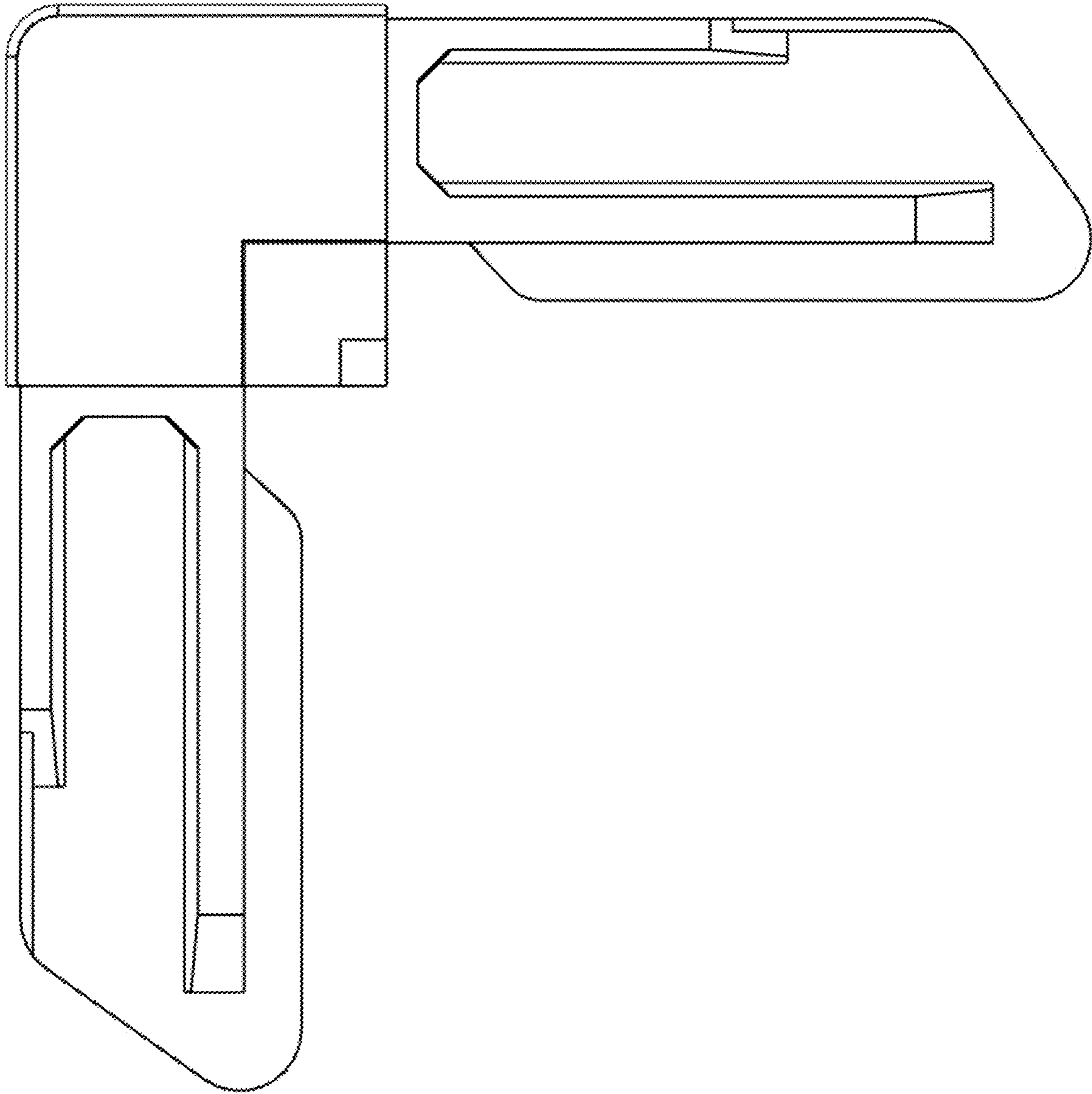


Fig. 5

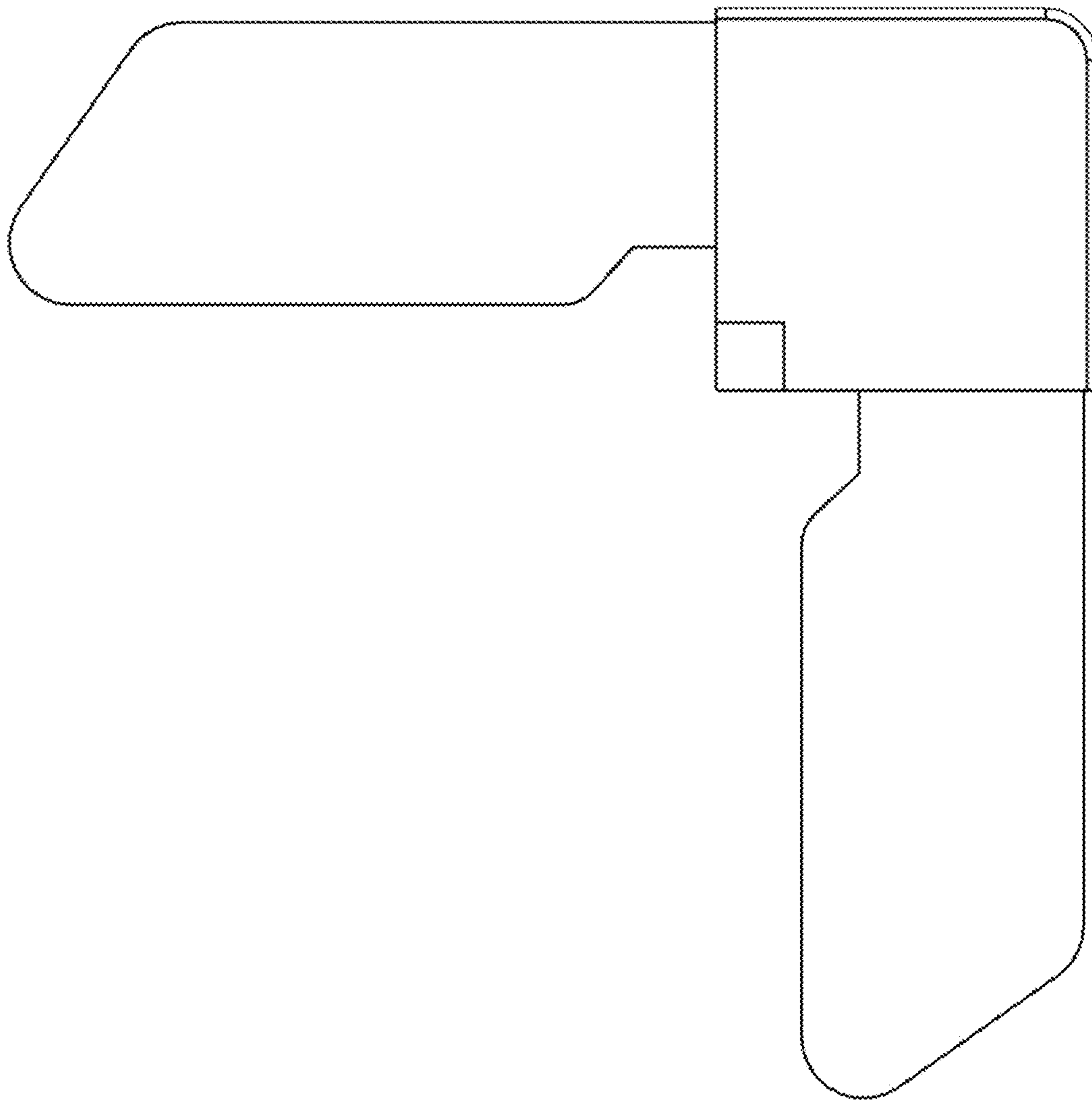


Fig. 6

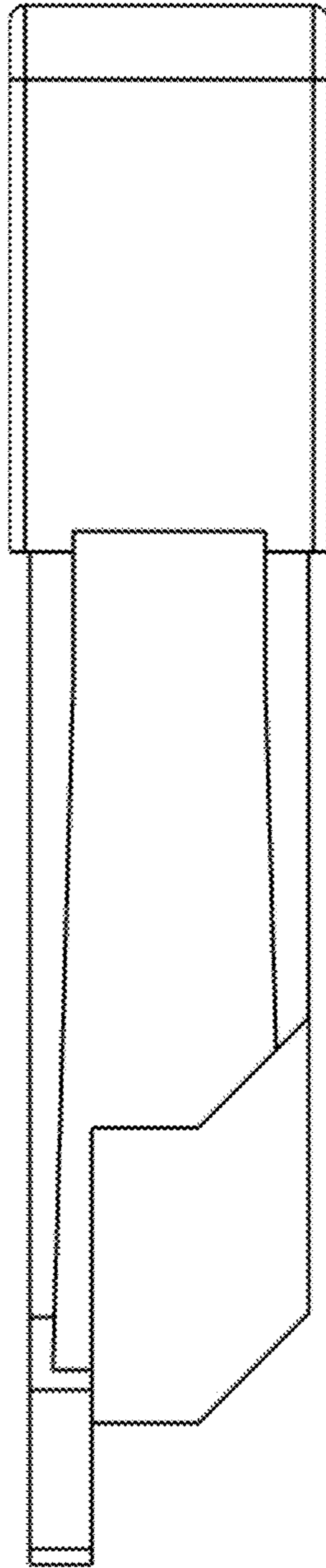


Fig. 7

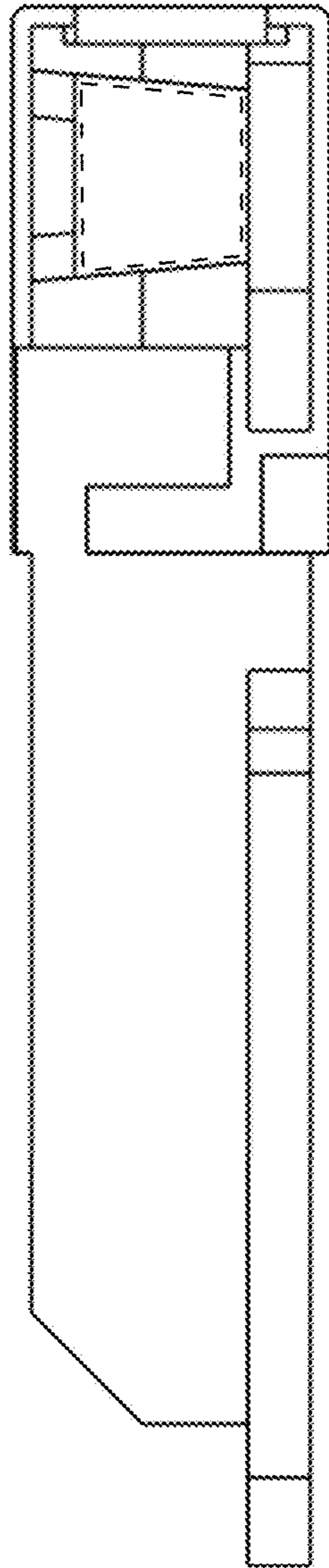


Fig. 8

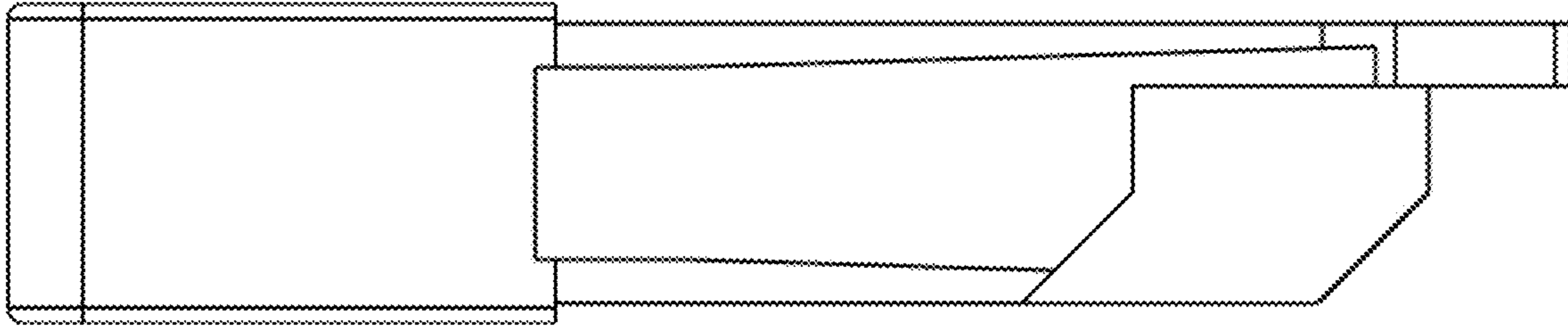


Fig. 9

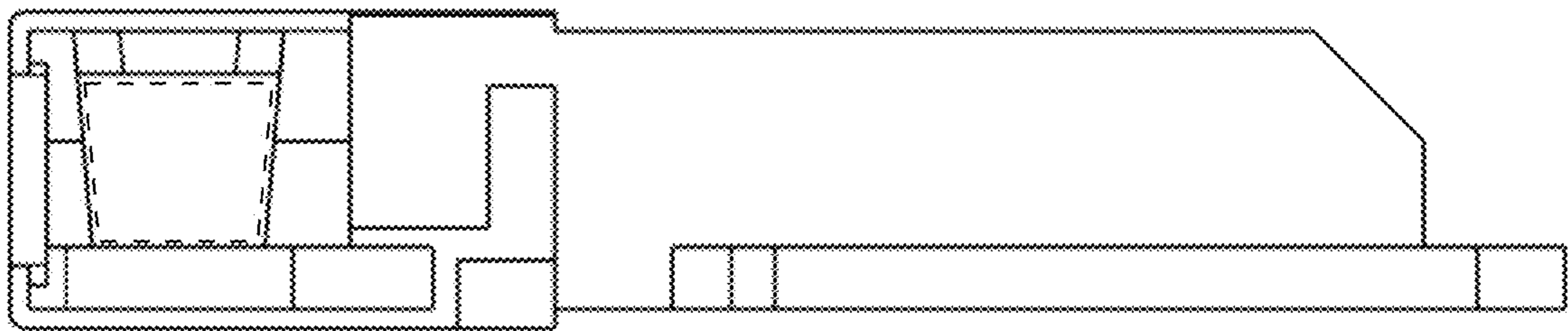


Fig. 10