



US00D959249S

(12) **United States Design Patent**
Strom et al.

(10) **Patent No.:** **US D959,249 S**

(45) **Date of Patent:** **** Aug. 2, 2022**

(54) **PORTABLE COFFERDAM**

(71) Applicant: **Subsurface, Inc.**, Moorhead, MN (US)

(72) Inventors: **Gary H. Strom**, Moorhead, MN (US);
Brandon G. Strom, Vergas, MN (US)

(73) Assignee: **Subsurface, Inc.**, Fargo, ND (US)

(**) Term: **15 Years**

(21) Appl. No.: **29/712,506**

(22) Filed: **Nov. 8, 2019**

Related U.S. Application Data

(63) Continuation of application No. 16/594,158, filed on Oct. 7, 2019, now Pat. No. 10,794,033, which is a continuation of application No. 16/159,917, filed on Oct. 15, 2018, now Pat. No. 10,435,860, which is a continuation of application No. 15/953,629, filed on Apr. 16, 2018, now Pat. No. 10,100,483, which is a continuation of application No. 15/292,977, filed on Oct. 13, 2016, now Pat. No. 9,945,091.

(51) **LOC (13) Cl.** **08-05**

(52) **U.S. Cl.**
USPC **D8/380**

(58) **Field of Classification Search**
USPC D8/380, 349, 352, 353, 354, 356, 373
CPC E02D 19/04; E02D 17/08
See application file for complete search history.

(56) **References Cited**

U.S. PATENT DOCUMENTS

- 3,051,424 A * 8/1962 Duhamel F16L 3/11
248/62
- 3,652,045 A * 3/1972 Hirt F16L 3/11
248/62
- 5,009,386 A * 4/1991 Berger F16L 3/2053
248/62
- D330,672 S * 11/1992 Wilkinson, III D8/380

- D402,188 S * 12/1998 Hetner D8/367
- D433,152 S * 10/2000 Masciarelli D25/2
- D433,760 S * 11/2000 Masciarelli D25/2
- D454,204 S * 3/2002 Masciarelli D25/2
- 7,284,728 B2 * 10/2007 Connolly F16L 3/11
248/62
- D625,586 S * 10/2010 Kramer D8/380
- D692,583 S * 10/2013 Weekly D25/48.5
- 8,545,129 B2 * 10/2013 Weekly E02D 19/04
405/282
- D703,029 S * 4/2014 Fox D8/373
- 8,910,367 B2 * 12/2014 Adams, Jr. F16B 7/00
403/233

(Continued)

OTHER PUBLICATIONS

<https://en.wikipedia.org/wiki/Cofferdam>; Wikipedia Cofferdam Article; Printed & Received Sep. 28, 2016.

Primary Examiner — Keli L Hill

Assistant Examiner — Harold E Blackwell, II

(74) *Attorney, Agent, or Firm* — Neustel Law Offices

(57) **CLAIM**

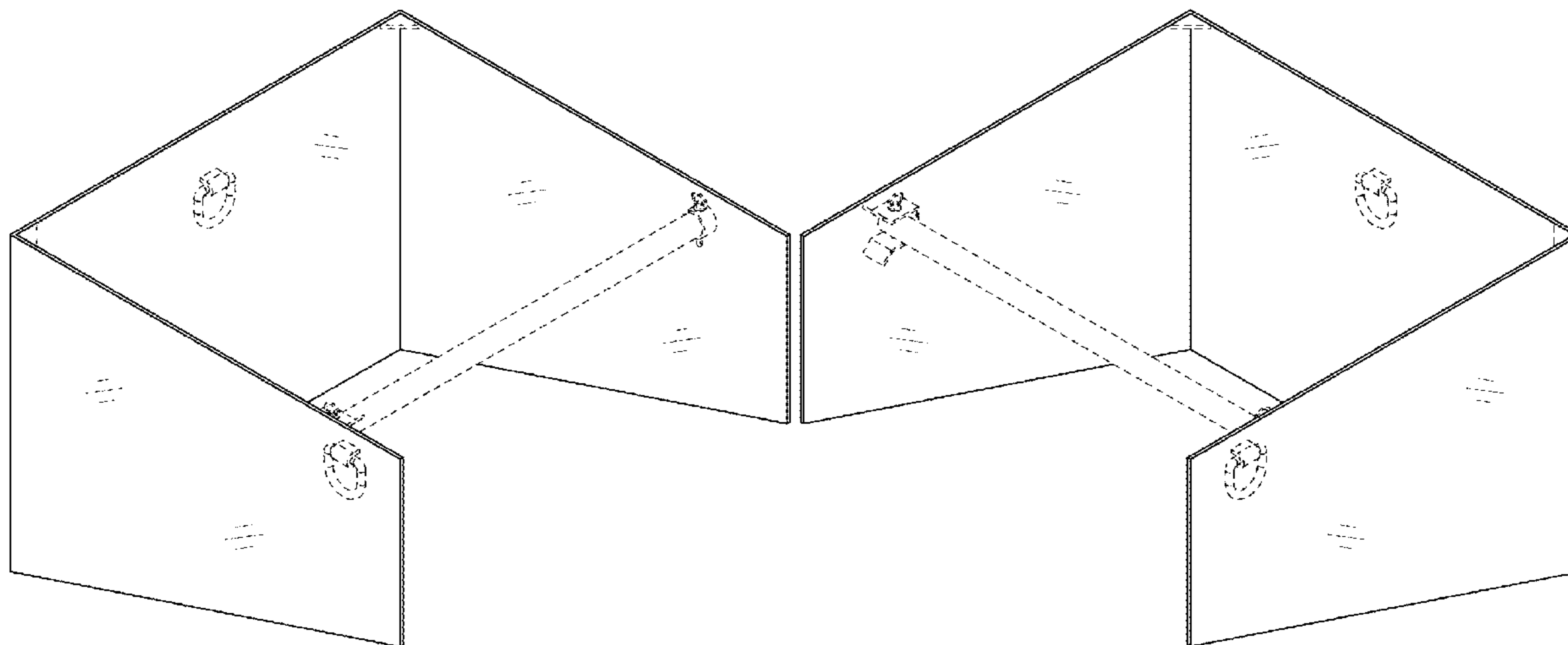
The ornamental design for a portable cofferdam, as shown and described.

DESCRIPTION

FIG. 1 is a left perspective view of a portable cofferdam showing our new design;
FIG. 2 is a right perspective view thereof;
FIG. 3 is a rear view thereof;
FIG. 4 is a front view thereof;
FIG. 5 is a right view thereof;
FIG. 6 is a left view thereof;
FIG. 7 is a top view thereof; and,
FIG. 8 is a bottom view thereof.

The broken line portions of the drawings are included to show unclaimed subject matter and form no part of the claimed design.

1 Claim, 7 Drawing Sheets



(56)

References Cited

U.S. PATENT DOCUMENTS

8,926,229	B1	1/2015	Clair	
9,874,008	B2 *	1/2018	Doupe	E04B 1/2612
9,945,091	B1 *	4/2018	Strom	E02D 17/04
D842,684	S *	3/2019	House	D8/354
D858,267	S *	9/2019	Malec	D8/499
2006/0002768	A1	1/2006	Meyer	
2016/0108599	A1	4/2016	Spry	

* cited by examiner

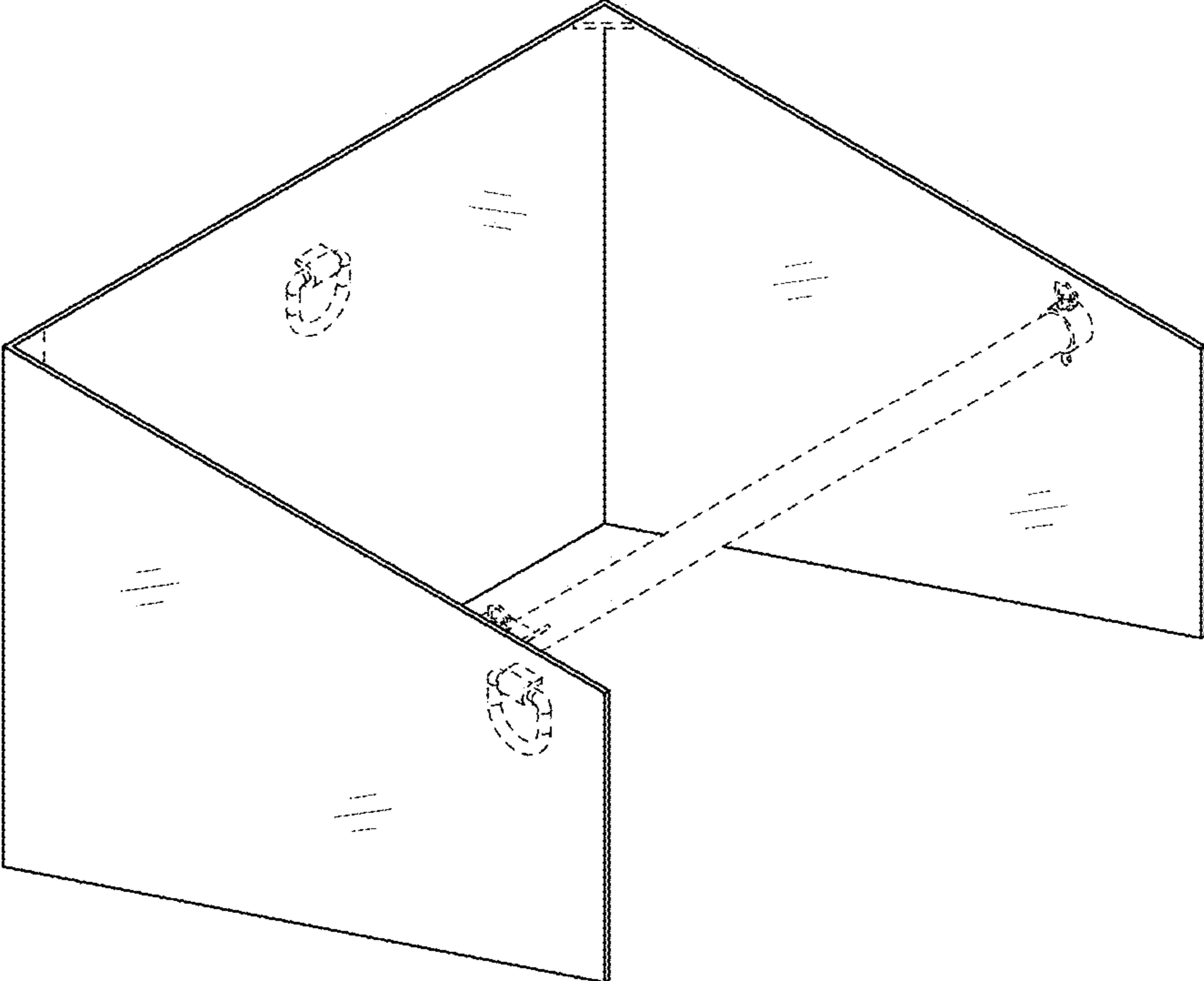


FIG. 1

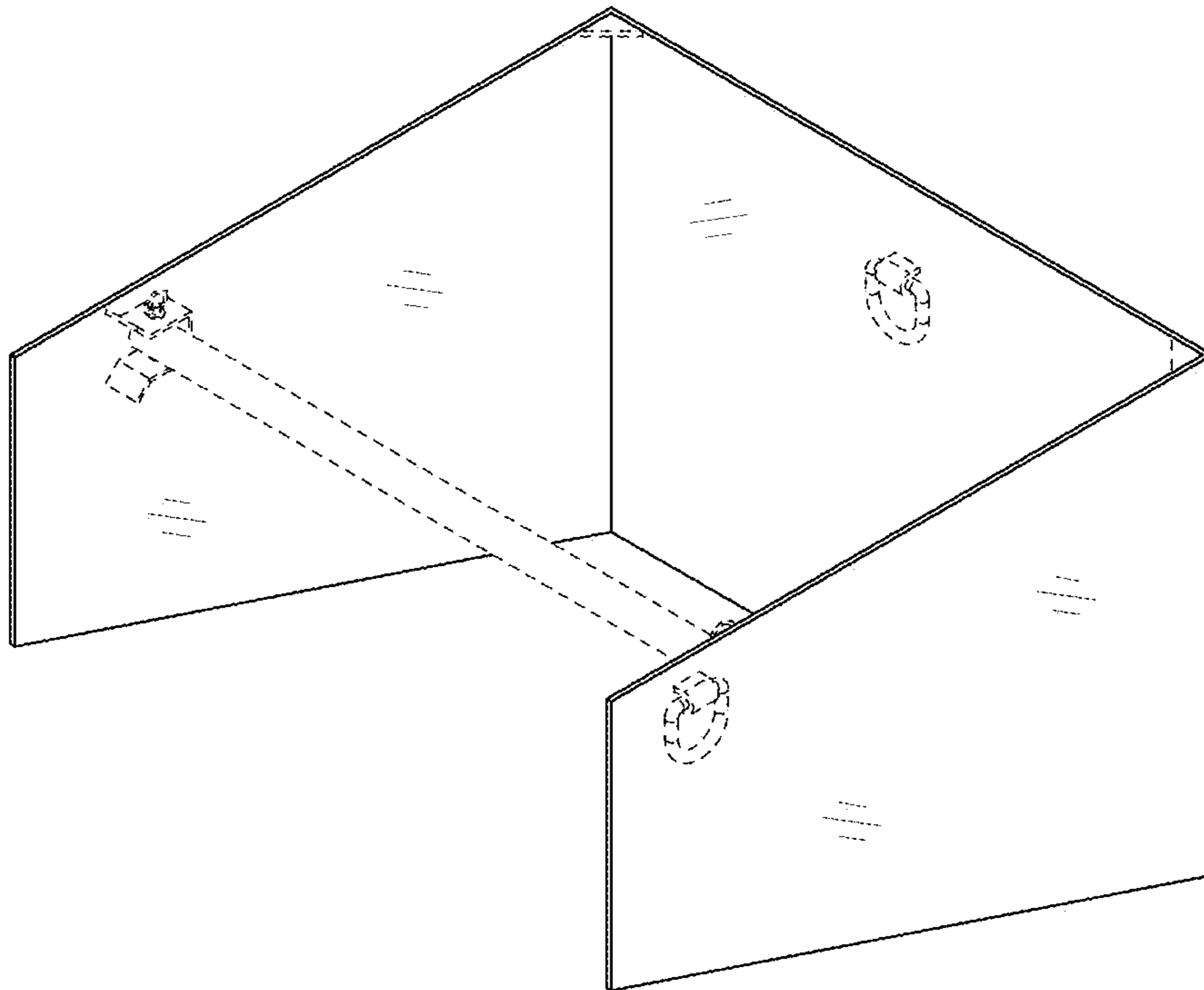


FIG. 2

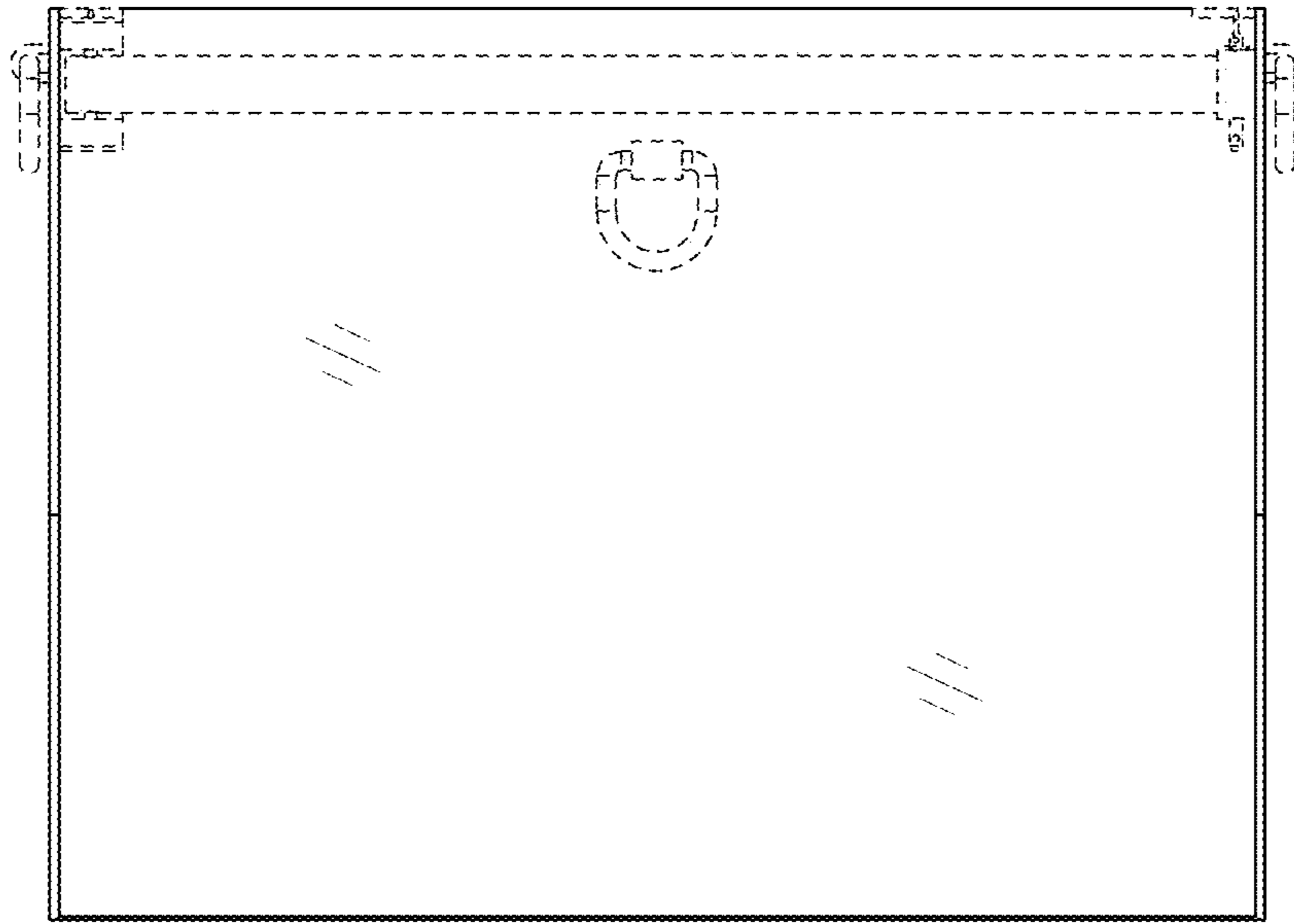


FIG. 3

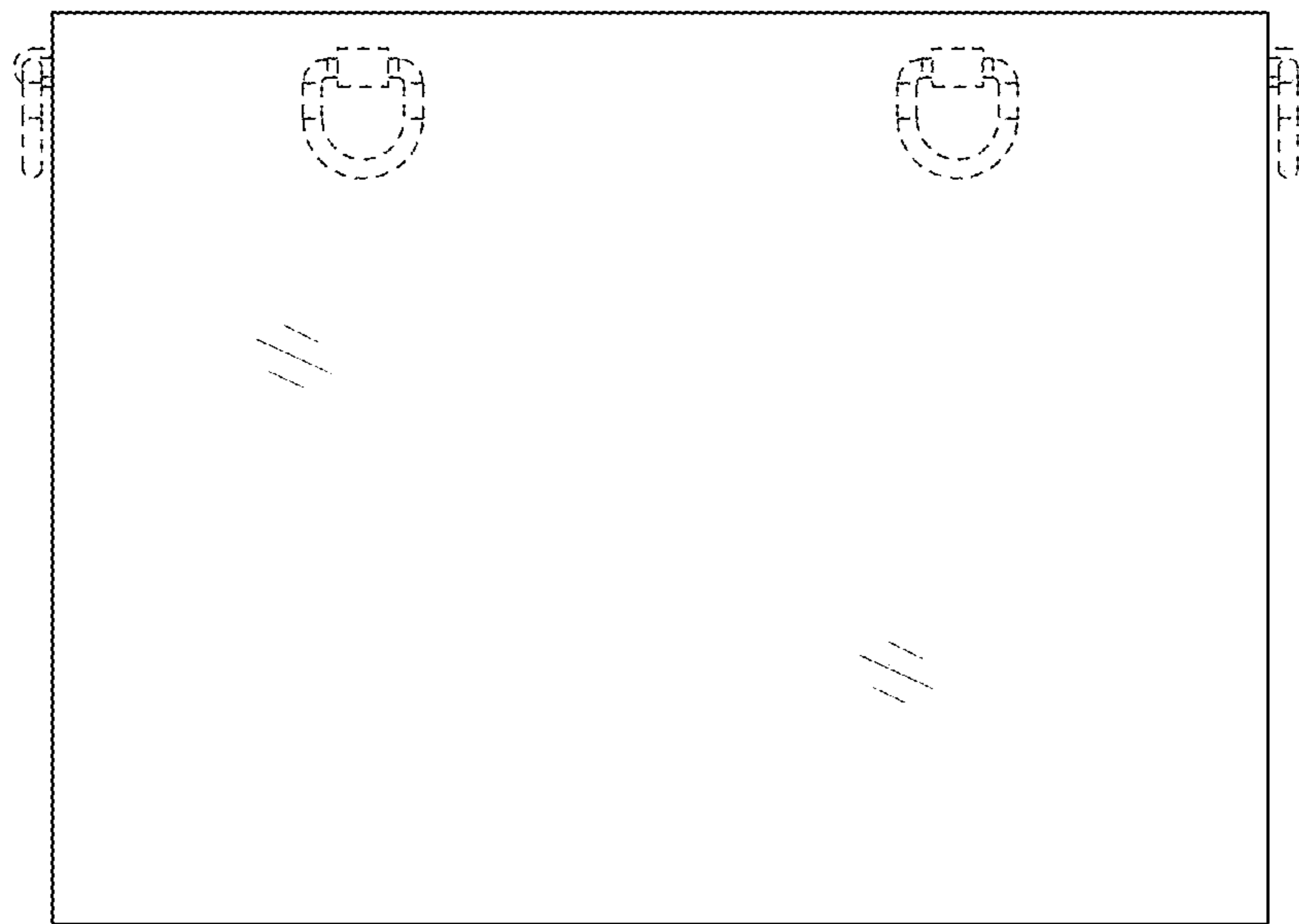


FIG. 4

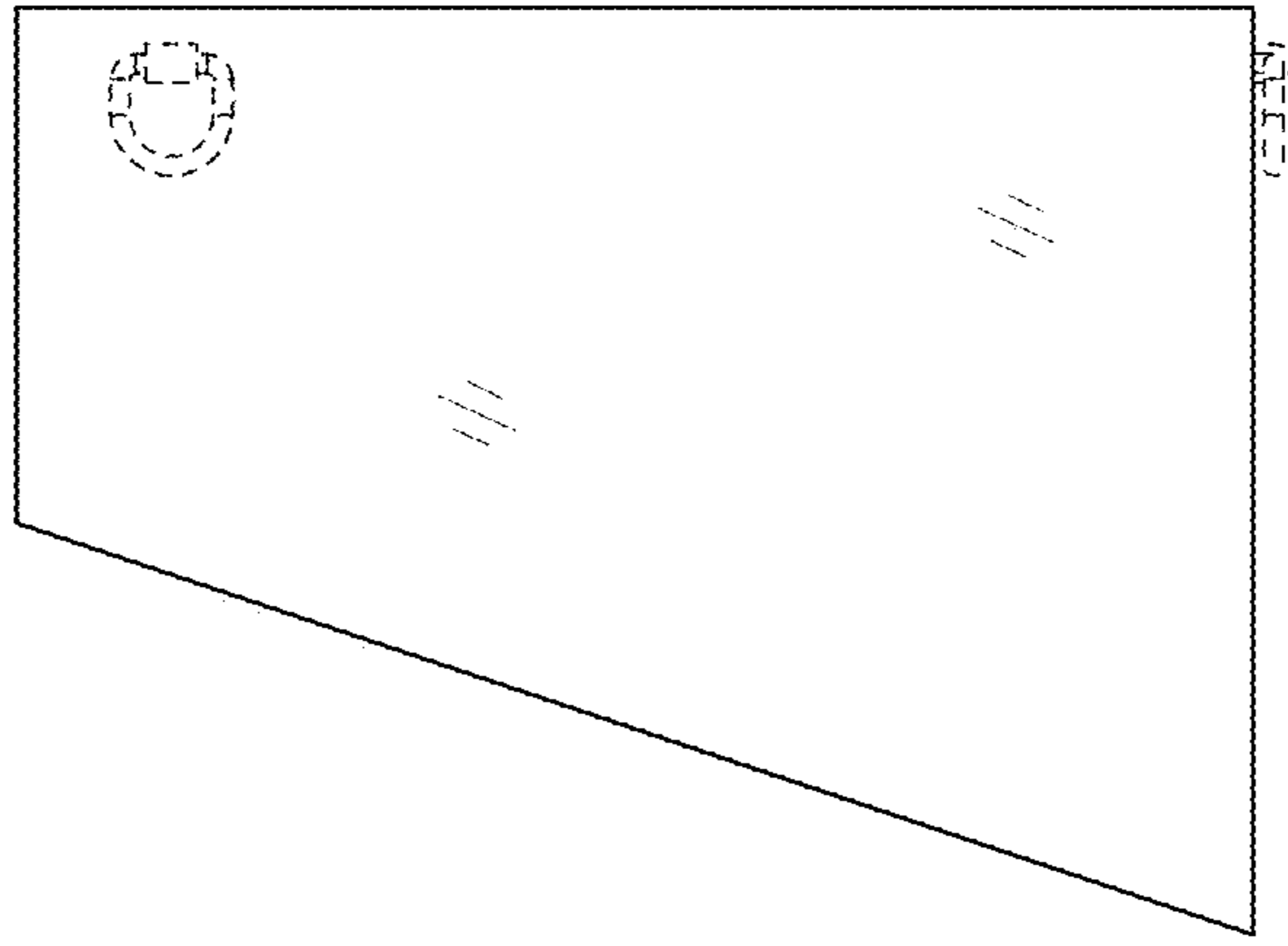


FIG. 5

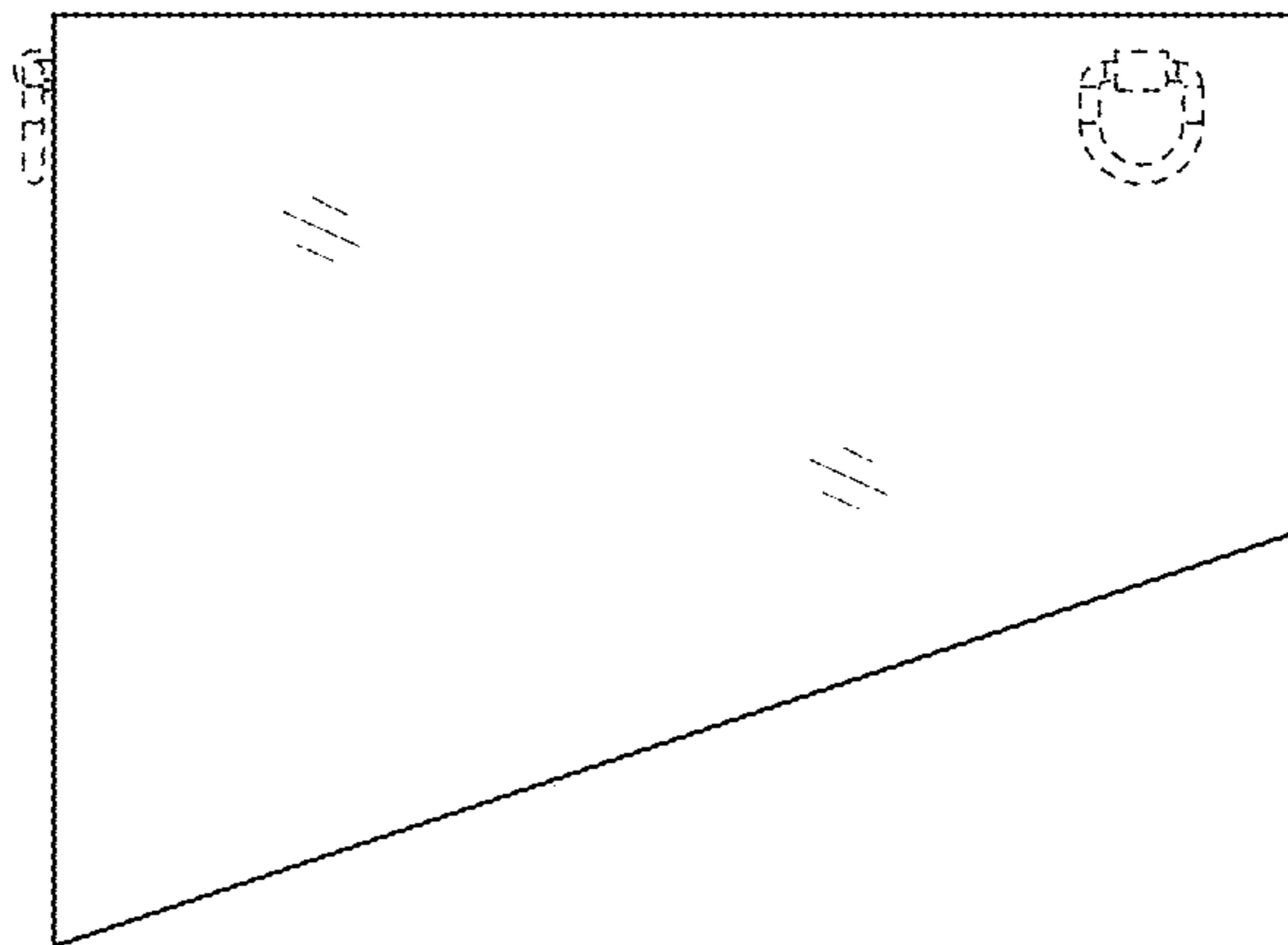


FIG. 6

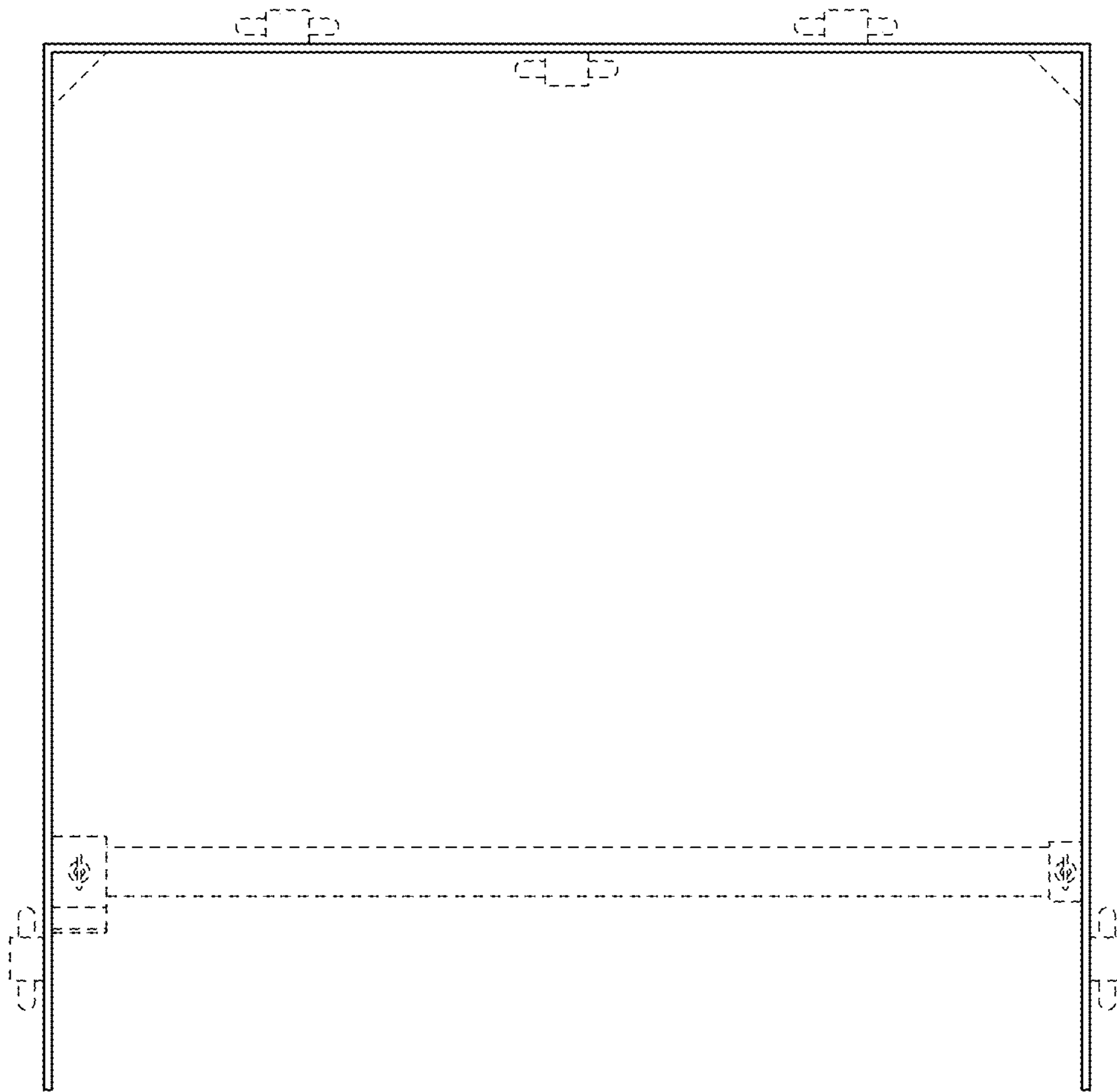


FIG. 7

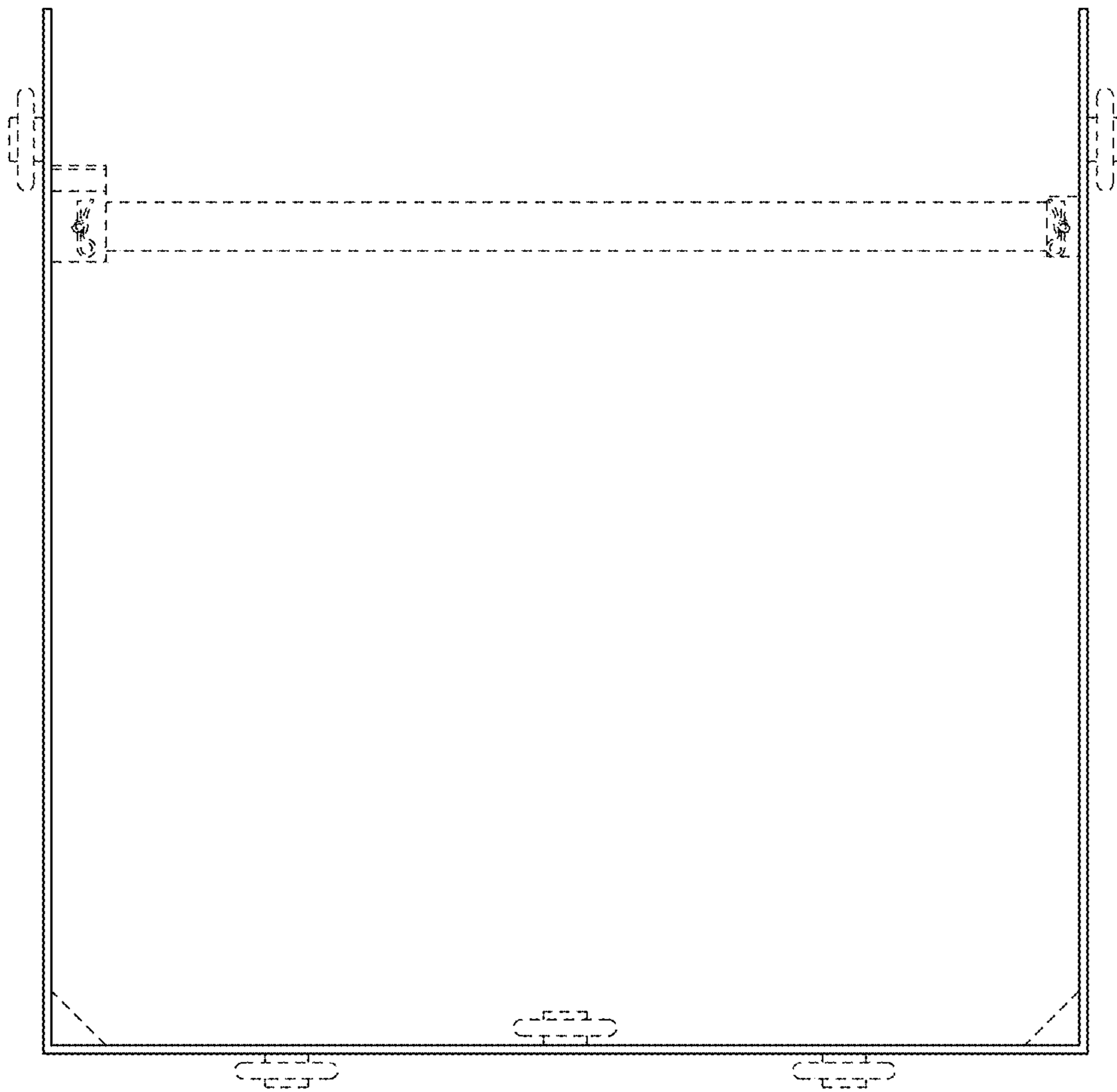


FIG. 8