



US00D959247S

(12) **United States Design Patent** (10) **Patent No.:** **US D959,247 S**
Rizzo (45) **Date of Patent:** **** Aug. 2, 2022**

(54) **ROUND FOOTBALL BED LEG COVER**

(71) Applicant: **Sandra Jean Rizzo**, Kenosha, WI (US)

(72) Inventor: **Sandra Jean Rizzo**, Kenosha, WI (US)

(**) Term: **15 Years**

(21) Appl. No.: **29/742,365**

(22) Filed: **Oct. 27, 2020**

(51) **LOC (13) Cl.** **08-05**

(52) **U.S. Cl.**
USPC **D8/374**

(58) **Field of Classification Search**
USPC D8/315, 321–322, 373–375;
D21/707–710, 712–13, 780–781,
D21/788–789, 799.1
CPC A47B 91/12; A47C 7/002; Y10T 16/216
See application file for complete search history.

(56) **References Cited**

U.S. PATENT DOCUMENTS

- D166,618 S * 4/1952 Mince D6/610
- 2,744,283 A * 5/1956 Reineman A47B 91/04
16/42 R
- 5,173,990 A * 12/1992 Owen B60B 33/0002
16/18 CG
- D340,078 S * 10/1993 Turner D11/149
- D373,721 S * 9/1996 Panow D6/710
- D379,061 S * 5/1997 Williams D8/374
- D433,321 S * 11/2000 Pattengell D8/402
- D455,335 S * 4/2002 Cort D8/374
- 6,418,578 B1 * 7/2002 Polevoy A47B 91/00
16/18 CG
- D474,960 S * 5/2003 West-Delgado D8/402
- D487,392 S * 3/2004 Chase D8/374
- D491,793 S * 6/2004 Corso D8/374
- D512,870 S * 12/2005 Rochon D6/610
- 7,124,986 B1 * 10/2006 Bailey A47B 91/12
248/188.9
- D557,598 S * 12/2007 Hoelting D8/402

- D609,987 S * 2/2010 Moman D8/38
- D616,289 S * 5/2010 Frankel D8/374
- D650,262 S * 12/2011 Hinkle, III D8/374
- D668,942 S * 10/2012 McGarry D8/374
- D682,078 S * 5/2013 Chase D8/374
- D734,513 S * 7/2015 Brown D26/16
- D793,211 S * 8/2017 Exley D8/374
- D912,467 S * 3/2021 Cramton D7/515
- D925,342 S * 7/2021 Winthrop D8/374
- D945,868 S * 3/2022 Rizzo D8/374
- 2007/0220703 A1 * 9/2007 LaPointe A47B 91/06
16/42 R

(Continued)

OTHER PUBLICATIONS

“Toe Guard-Bed Bumpers”, Apr. 10, 2012, Amazon.com, site visited Nov. 8, 2021: <https://www.amazon.com/Guard-bed-Bumpers-Against-Injuries-Package/dp/B007SRXQDQ> (Year: 2012).*

(Continued)

Primary Examiner — Jack Reickel

Assistant Examiner — Michael A Kervin

(74) *Attorney, Agent, or Firm* — Davis & Kuelthau, sc;
Joseph S. Heino; Erin E. Kaprelian

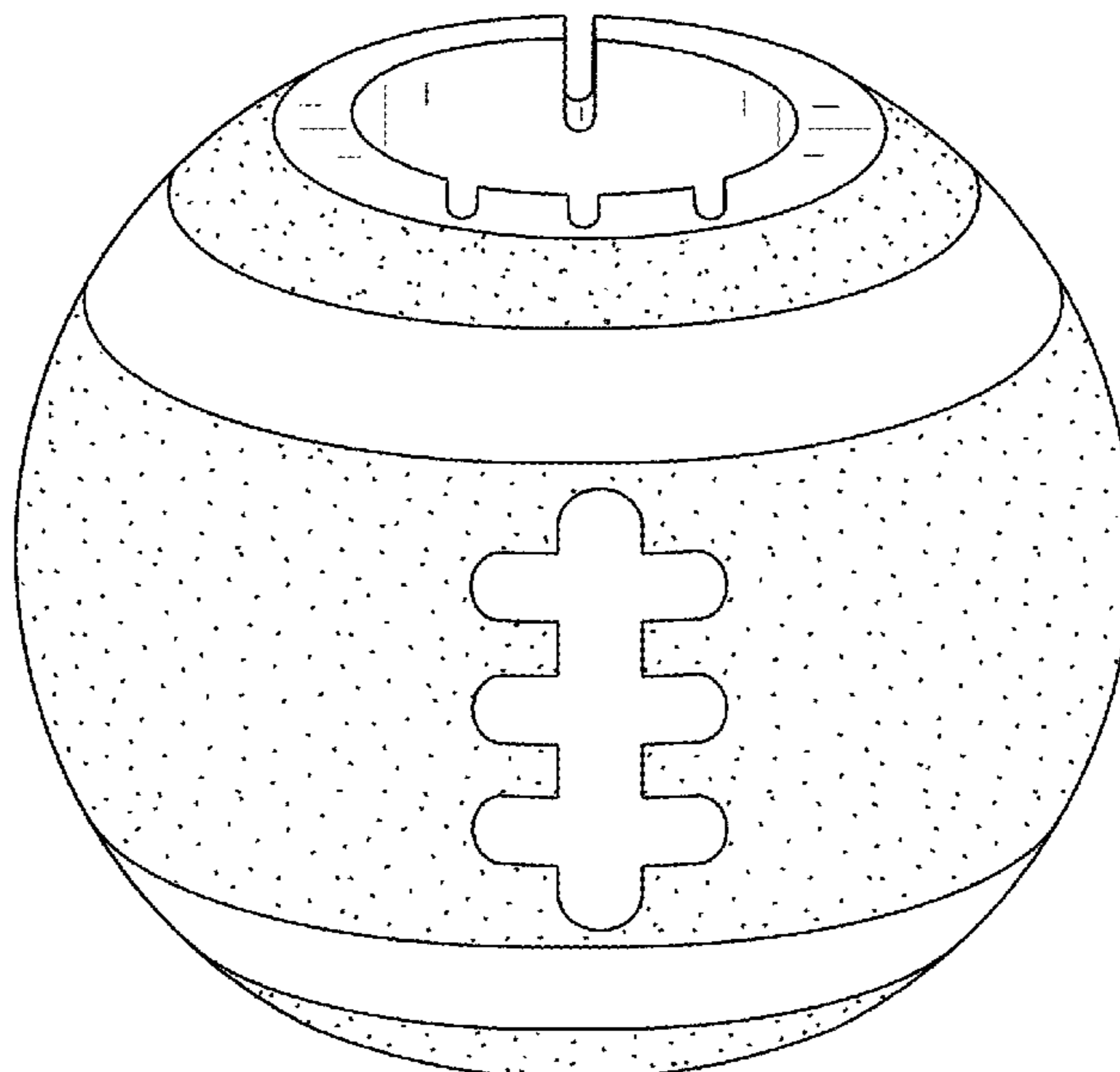
(57) **CLAIM**

The ornamental design for a round football bed leg cover, as shown and described.

DESCRIPTION

FIG. 1 is a front perspective view of a round football bed leg cover showing my new design;
FIG. 2 is a rear perspective view of a round football bed leg cover showing my new design;
FIG. 3 is a top plan view thereof;
FIG. 4 is a bottom plan view thereof;
FIG. 5 is a rear elevation view thereof; and,
FIG. 6 is a front elevation view thereof.

1 Claim, 6 Drawing Sheets



(56)

References Cited

U.S. PATENT DOCUMENTS

2008/0258023 A1* 10/2008 Desmarais A47C 7/002
248/188.9
2012/0061545 A1* 3/2012 Schneider A47B 91/00
248/345.1
2013/0019410 A1* 1/2013 Willis A47B 91/12
5/663
2019/0357691 A1* 11/2019 Rizzo F21V 23/0471
2020/0093265 A1* 3/2020 Becker A47B 91/12

OTHER PUBLICATIONS

“Bed Leg Toe Cushion”, Sep. 10, 2017, Amazon.com, site visited
Nov. 8, 2021: [https://www.amazon.com/Cushion-Beige-Prevents-
injuries-stubs/dp/B075JBFT2H](https://www.amazon.com/Cushion-Beige-Prevents-injuries-stubs/dp/B075JBFT2H) (Year: 2017).*

“Funny Novelty Practice Golf Balls”, Sep. 13, 2017, Amazon.com,
site visited Nov. 8, 2021: [https://www.amazon.com/Funny-Novelty-
Practice-Christmas-Birthday/dp/B075LDDN9F](https://www.amazon.com/Funny-Novelty-Practice-Christmas-Birthday/dp/B075LDDN9F) (Year: 2017).*

* cited by examiner

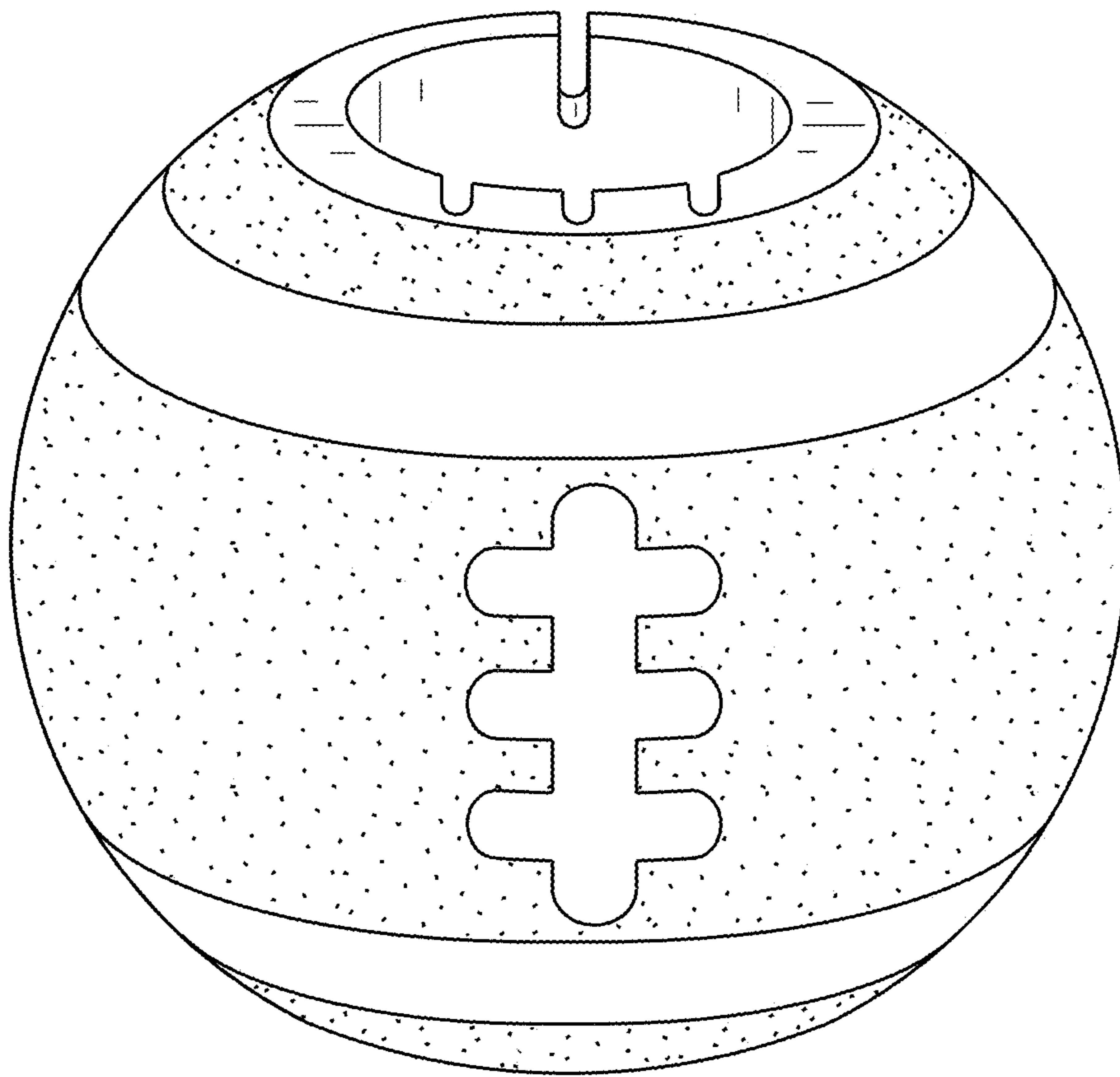


FIG. 1

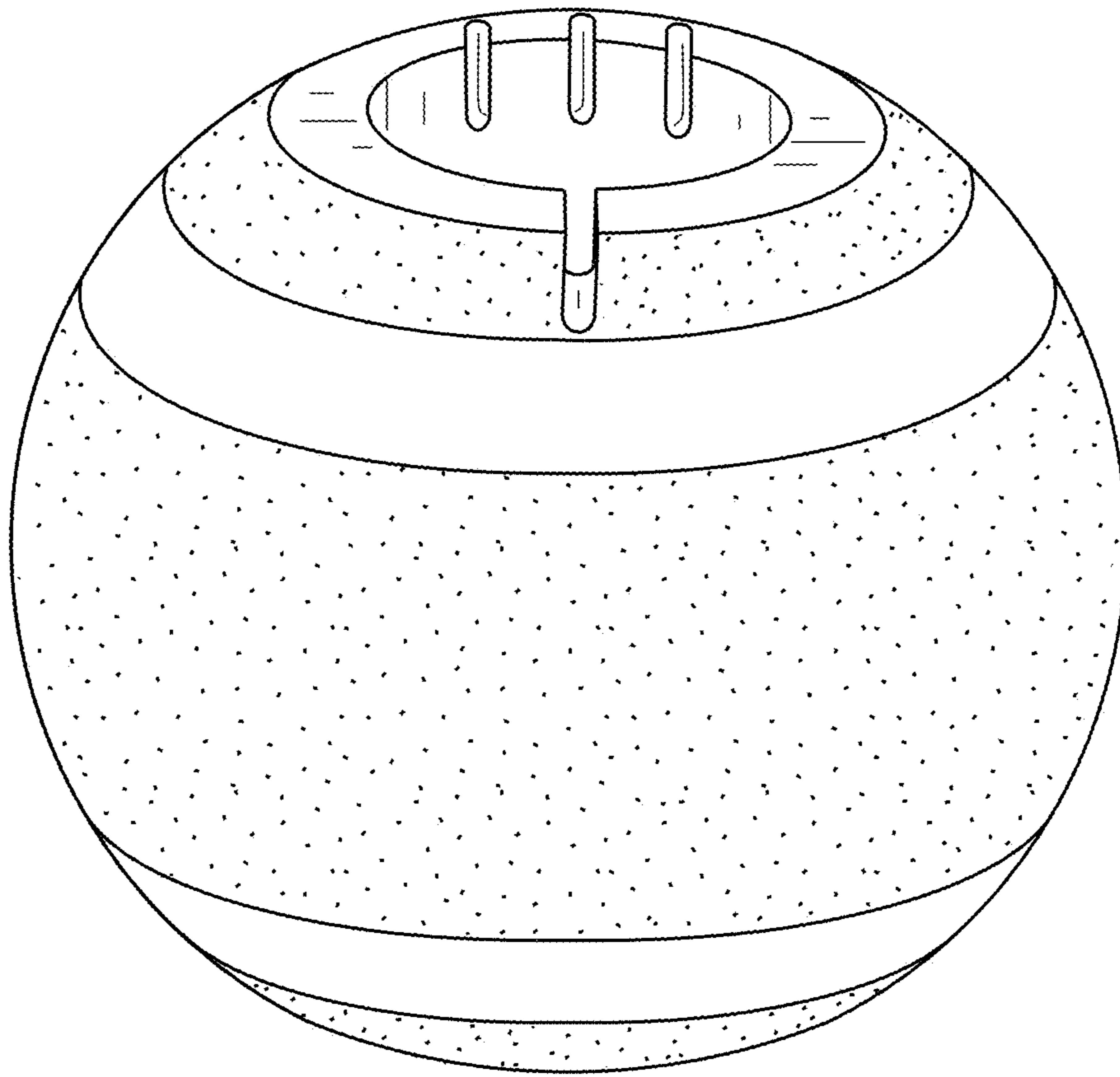


FIG. 2

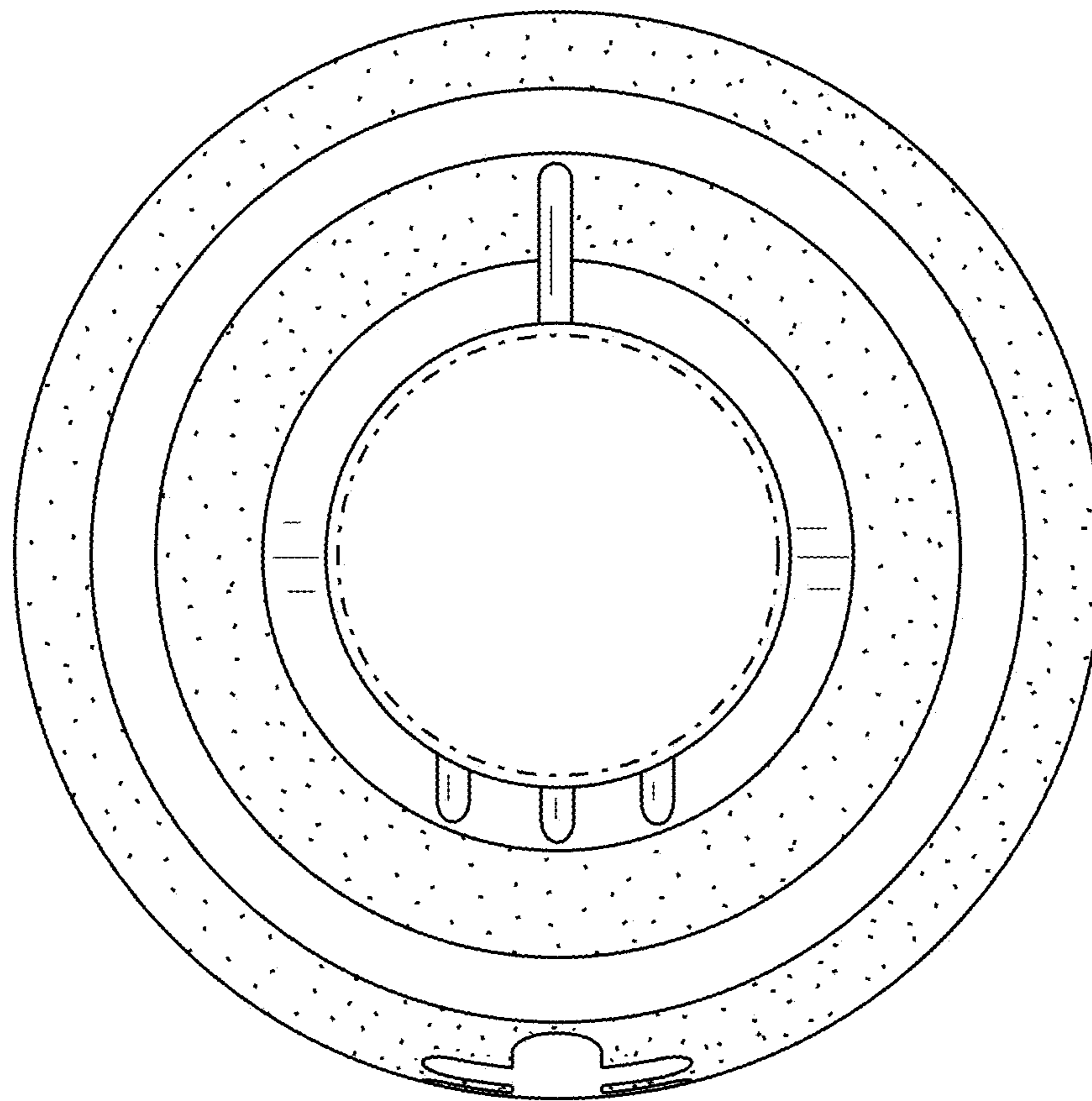


FIG. 3

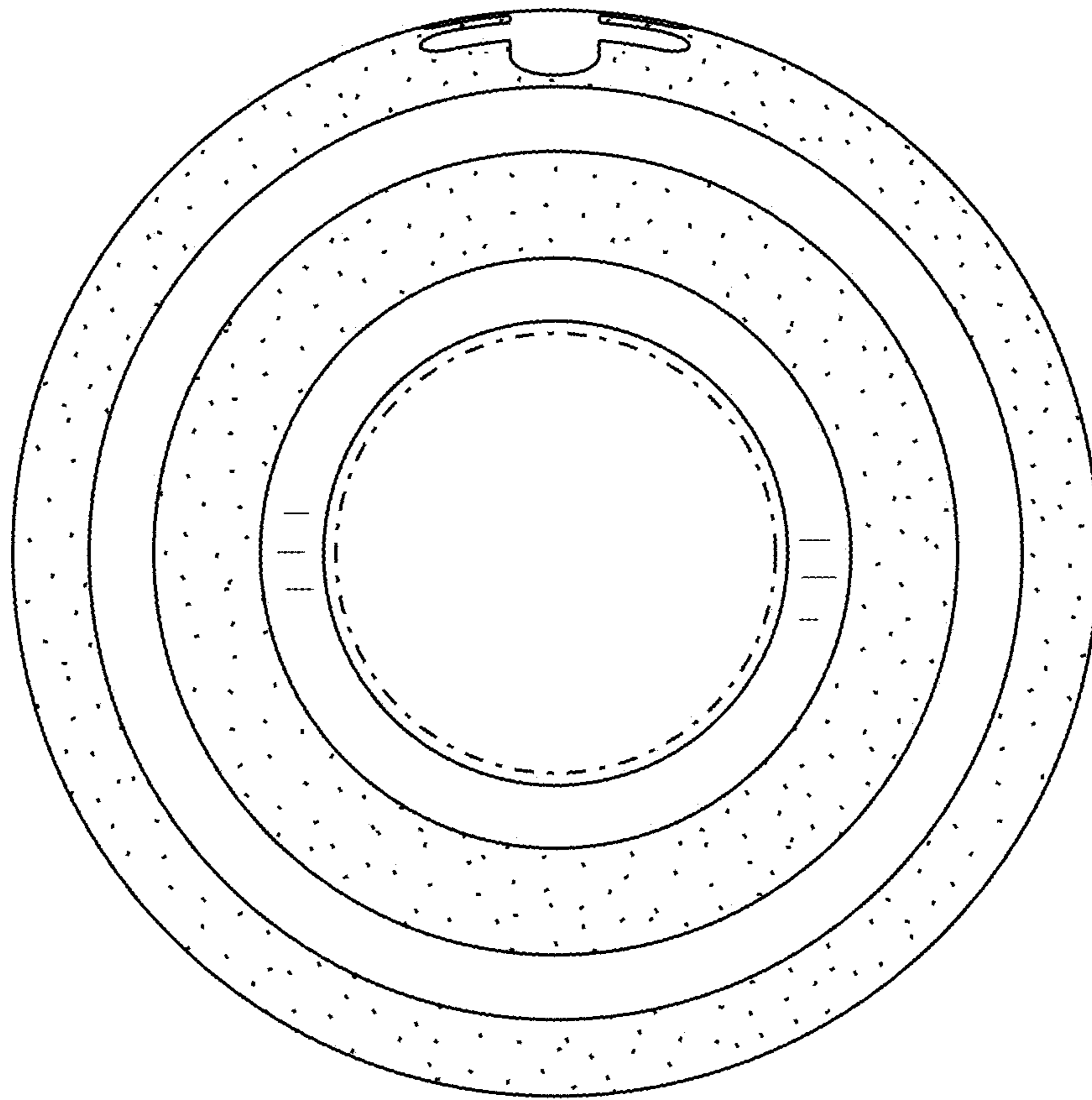


FIG. 4

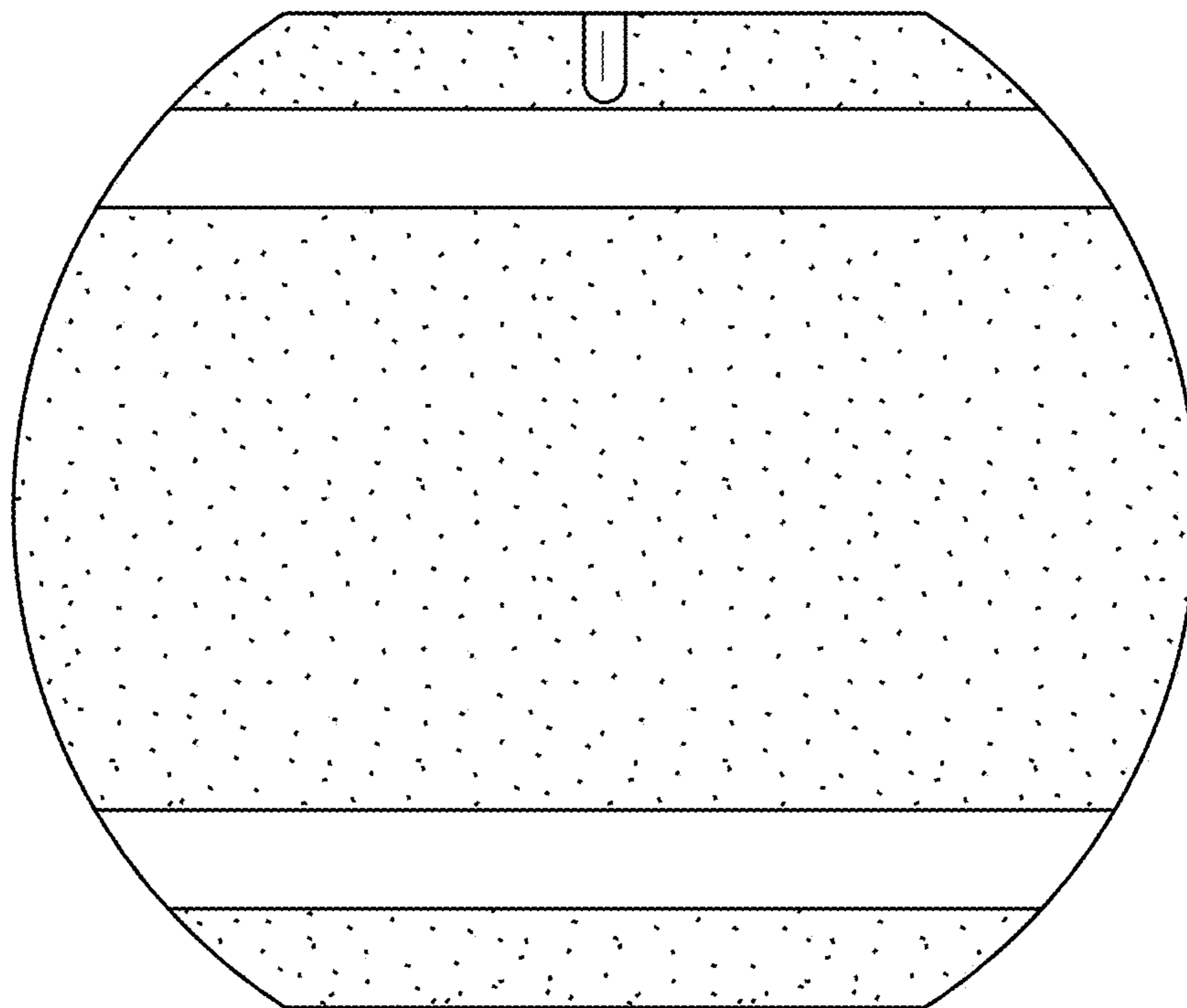


FIG. 5

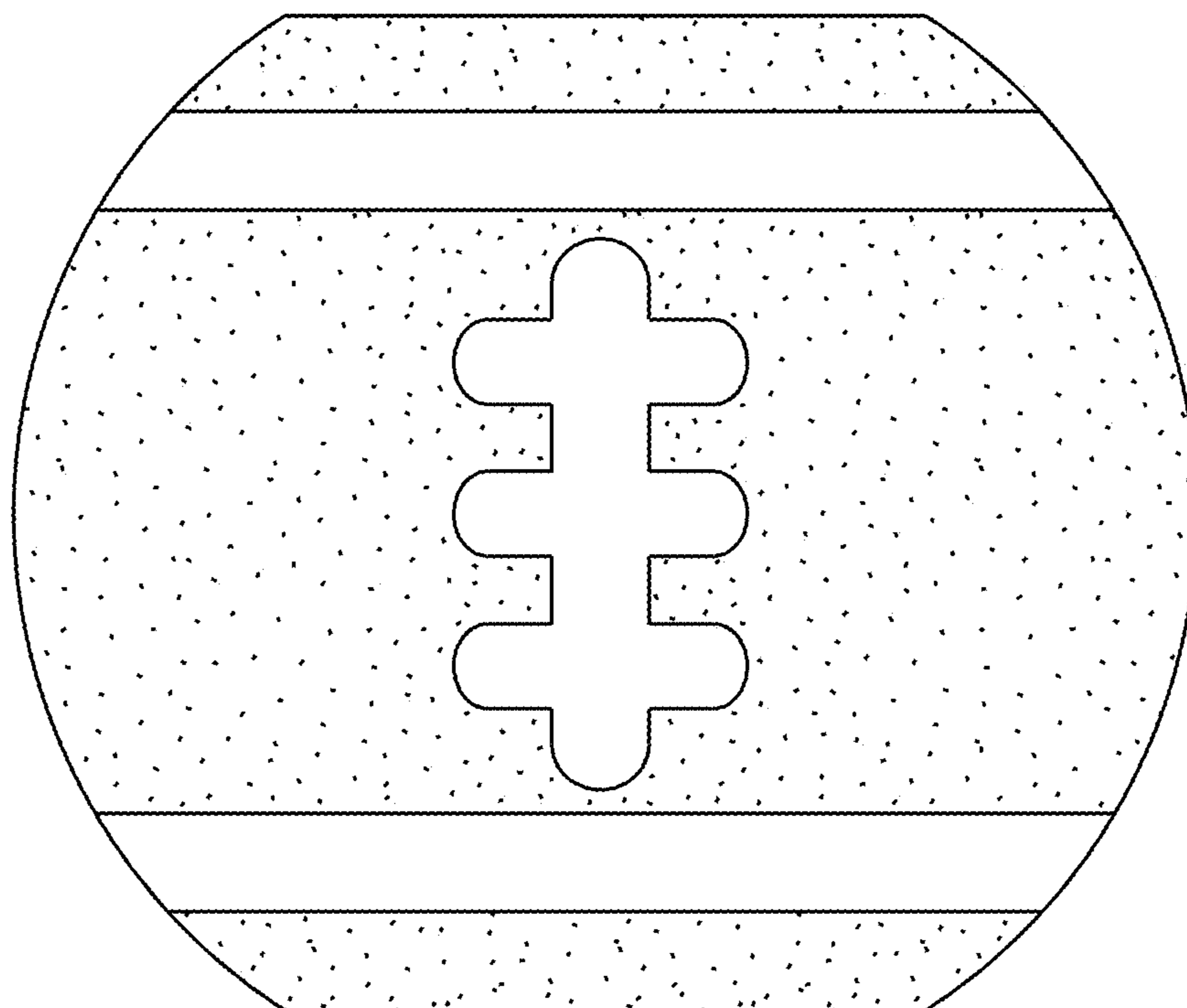


FIG. 6