



US00D959245S

(12) **United States Design Patent** (10) **Patent No.:** **US D959,245 S**
Rizzo (45) **Date of Patent:** **** Aug. 2, 2022**

- (54) **OBLONG ROUND BED LEG COVER**
- (71) Applicant: **Sandra Jean Rizzo**, Kenosha, WI (US)
- (72) Inventor: **Sandra Jean Rizzo**, Kenosha, WI (US)
- (**) Term: **15 Years**
- (21) Appl. No.: **29/742,245**
- (22) Filed: **Jun. 10, 2020**
- (51) **LOC (13) Cl.** **08-05**
- (52) **U.S. Cl.**
USPC **D8/374**
- (58) **Field of Classification Search**
USPC D8/315, 321-322, 373-375;
D21/707-710, 712-13, 780-781,
D21/788-789, 799.1
CPC A47B 91/12; A47C 7/002; Y10T 16/216
See application file for complete search history.

D650,262	S	*	12/2011	Hinkle, III	D8/374
D668,942	S	*	10/2012	McGarry	D8/374
D682,078	S	*	5/2013	Chase	D8/374
D793,211	S	*	8/2017	Exley	D8/374
D925,342	S	*	7/2021	Winthrop	D8/374
D945,868	S	*	3/2022	Rizzo	D8/374
2007/0220703	A1	*	9/2007	LaPointe	A47B 91/06 16/42 R
2008/0258023	A1	*	10/2008	Desmarais	A47C 7/002 248/188.9

(Continued)

OTHER PUBLICATIONS

“Toe Guard-Bed Bumpers”, Apr. 10, 2012, Amazon.com, site visited Nov. 8, 2021: <https://www.amazon.com/Guard-bed-Bumpers-Against-Injuries-Package/dp/B007SRXQDQ> (Year: 2012).*

(Continued)

Primary Examiner — Jack Reickel
Assistant Examiner — Michael A Kervin
(74) *Attorney, Agent, or Firm* — Davis & Kuelthau, sc;
Joseph S. Heino; Erin E. Kaprelian

(56) **References Cited**

U.S. PATENT DOCUMENTS

D166,618	S	*	4/1952	Mince	D6/610
2,744,283	A	*	5/1956	Reineman	A47B 91/04 16/42 R
5,173,990	A	*	12/1992	Owen	B60B 33/0002 16/18 CG
D373,721	S	*	9/1996	Panow	D6/710
D379,061	S	*	5/1997	Williams	D8/374
D433,321	S	*	11/2000	Pattengell	D8/402
D455,335	S	*	4/2002	Cort	D8/374
6,418,578	B1	*	7/2002	Polevoy	A47B 91/00 16/18 CG
D474,960	S	*	5/2003	West-Delgado	D8/402
D487,392	S	*	3/2004	Chase	D8/374
D491,793	S	*	6/2004	Corso	D8/374
D512,870	S	*	12/2005	Rochon	D6/610
7,124,986	B1	*	10/2006	Bailey	A47B 91/12 248/188.9
D557,598	S	*	12/2007	Hoelting	D8/402
D616,289	S	*	5/2010	Frankel	D8/374

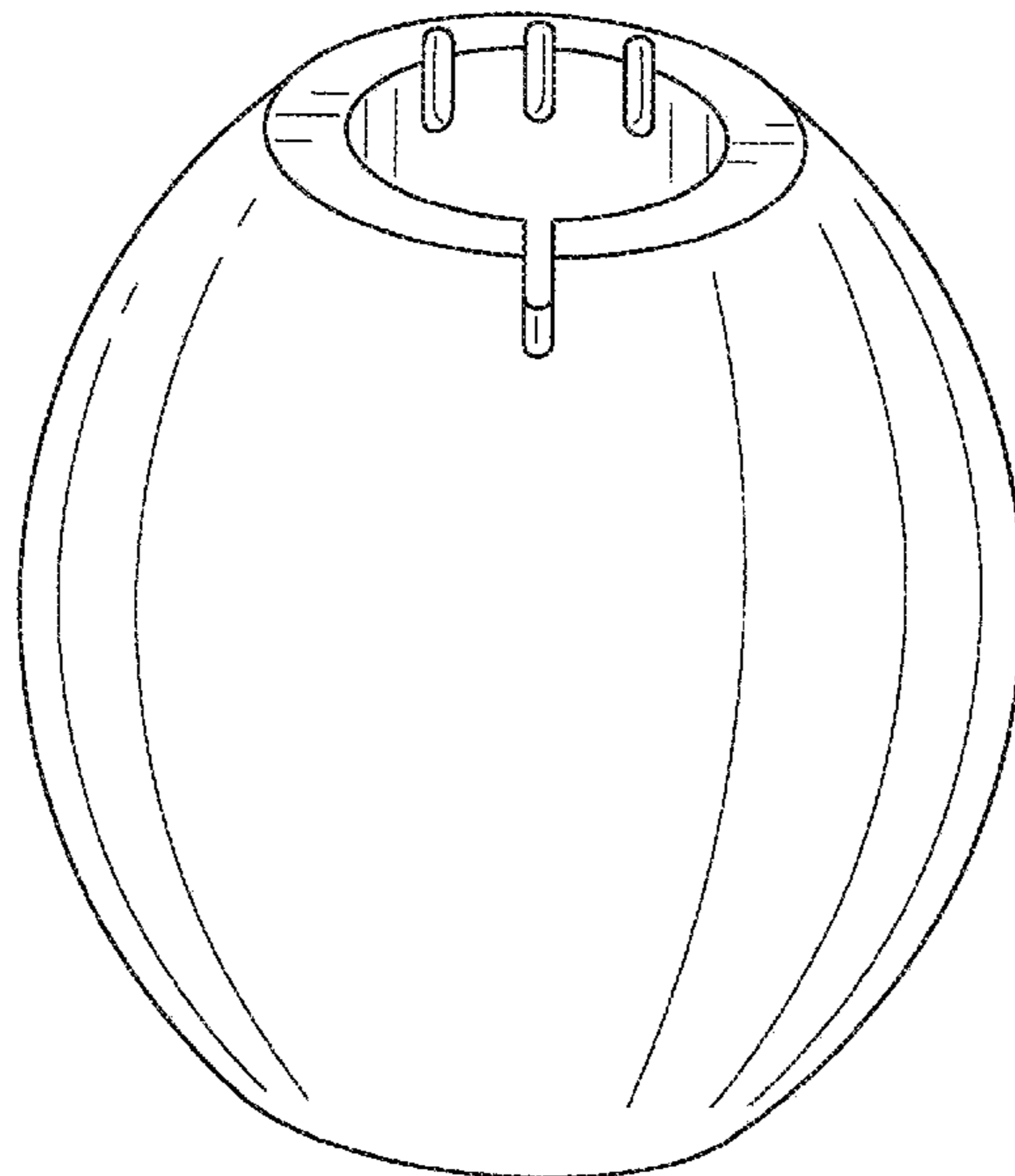
(57) **CLAIM**

The ornamental design for an oblong round bed leg cover, as shown and described.

DESCRIPTION

FIG. 1 is a front perspective view of an oblong round bed leg cover showing my new design;
FIG. 2 is a rear perspective view thereof;
FIG. 3 is a top plan view thereof;
FIG. 4 is a bottom plan view thereof;
FIG. 5 is a rear elevation view thereof; and,
FIG. 6 is a front elevation view thereof.
The dot-dash broken lines define the bounds of the claimed design and form no part thereof.

1 Claim, 6 Drawing Sheets



(56)

References Cited

U.S. PATENT DOCUMENTS

2012/0061545 A1* 3/2012 Schneider A47B 91/00
248/345.1
2013/0019410 A1* 1/2013 Willis A47B 91/12
5/663
2019/0357691 A1* 11/2019 Rizzo F21V 23/0471
2020/0093265 A1* 3/2020 Becker A47B 91/12

OTHER PUBLICATIONS

“Bed Leg Toe Cushion”, Sep. 10, 2017, Amazon.com, site visited
Nov. 8, 2021: <https://www.amazon.com/Cushion-Beige-Prevents-injuries-stubs/dp/B075JBFT2H> (Year: 2017).*

* cited by examiner

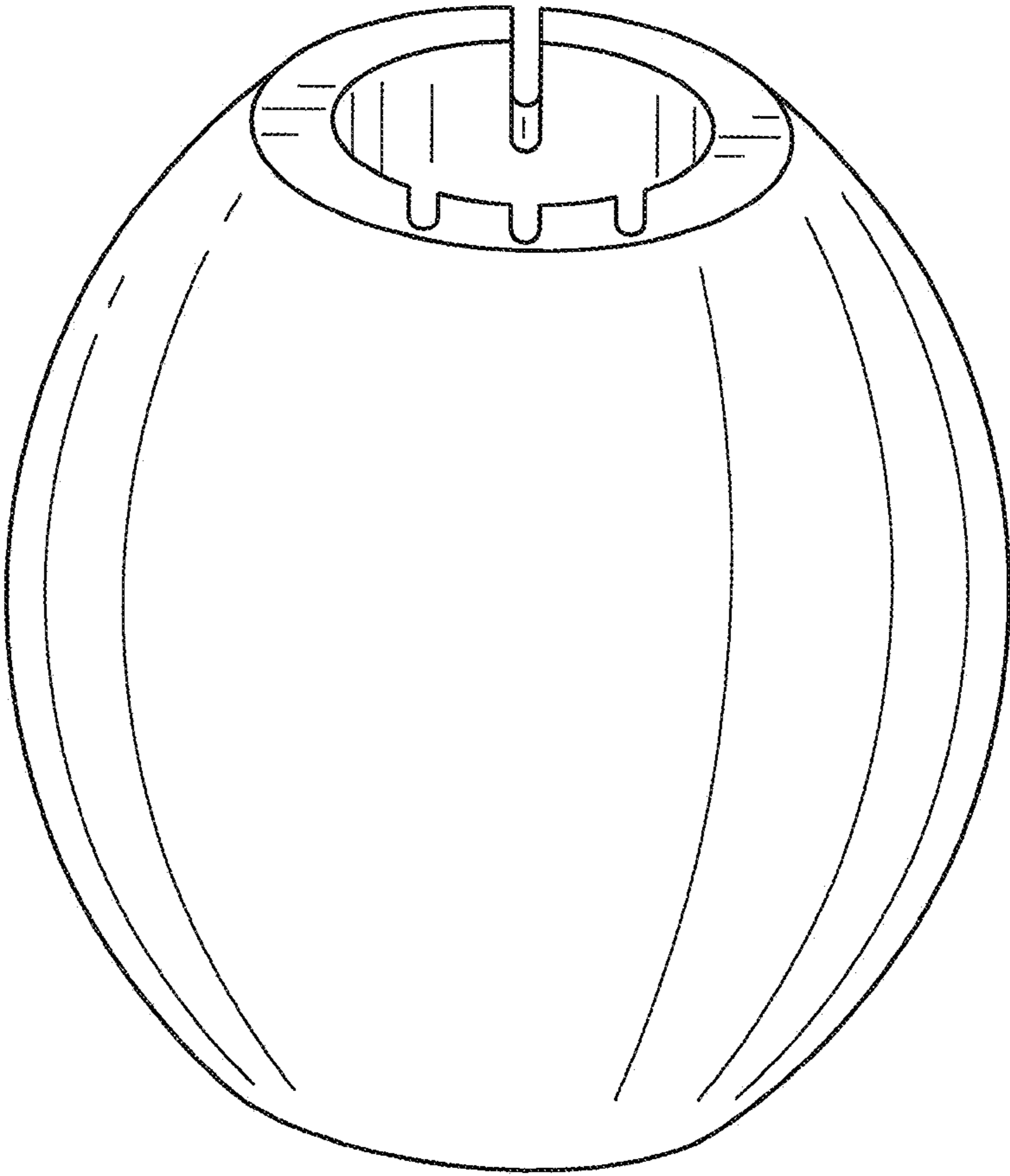


FIG. 1

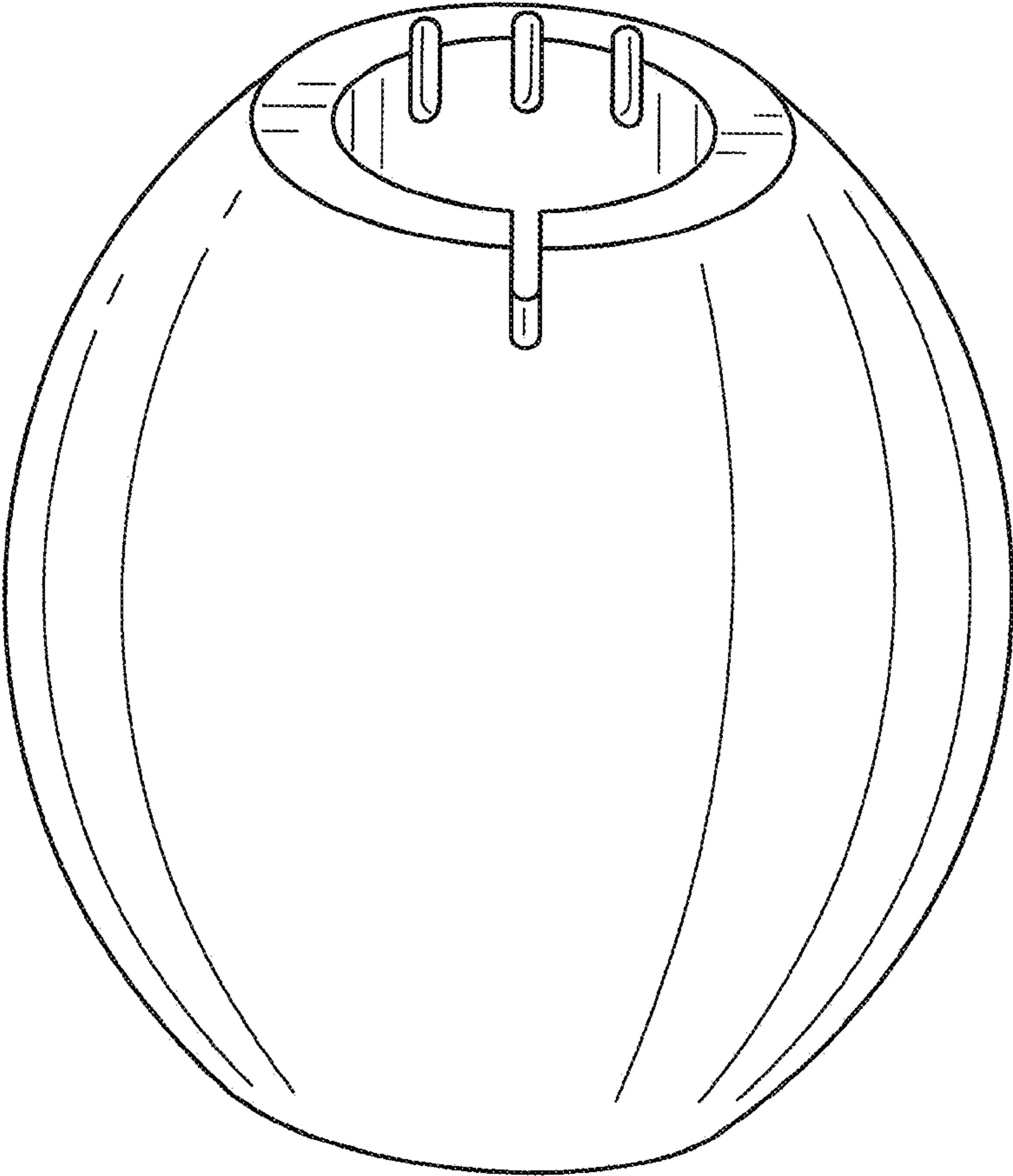


FIG. 2

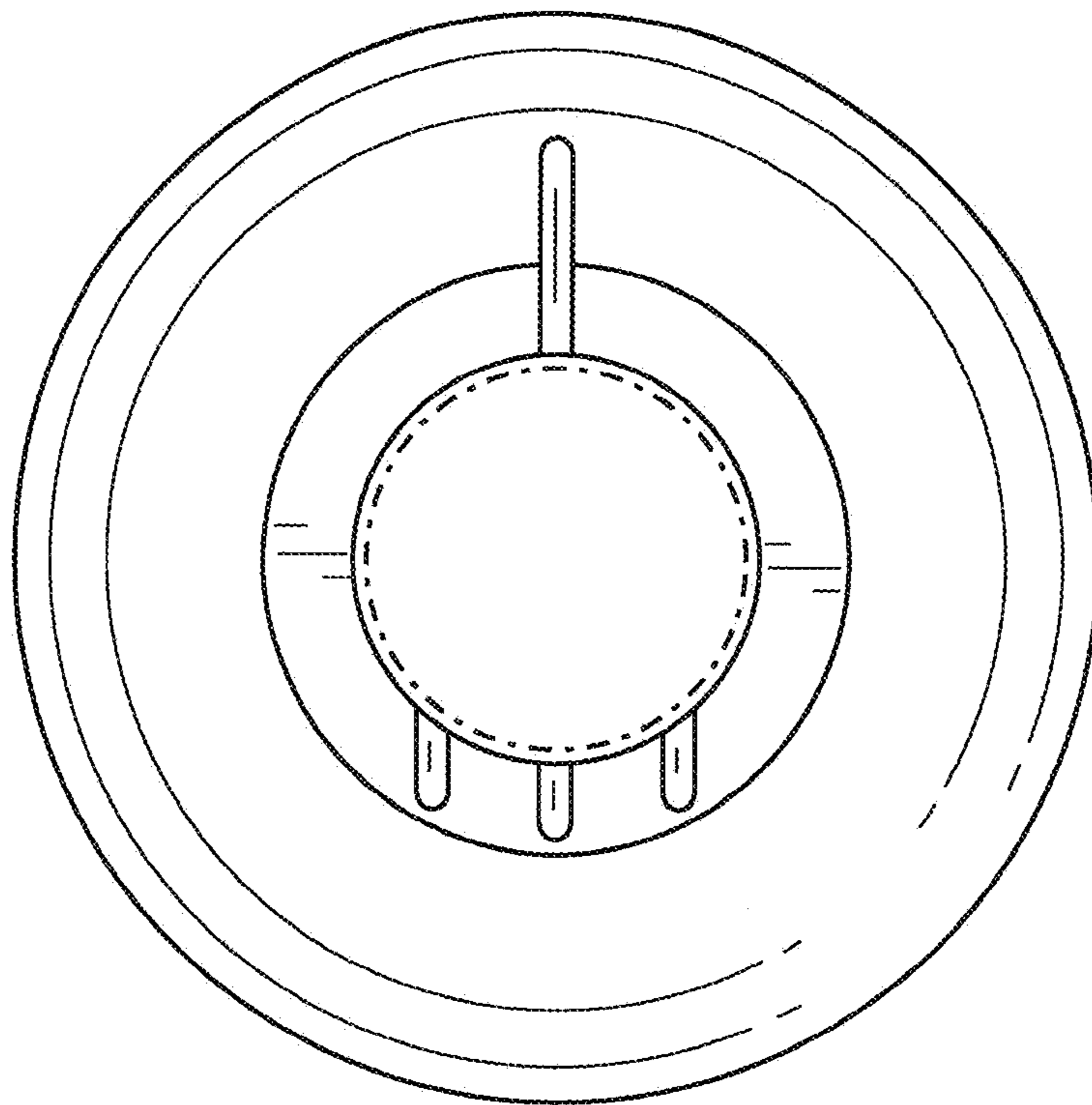


FIG. 3

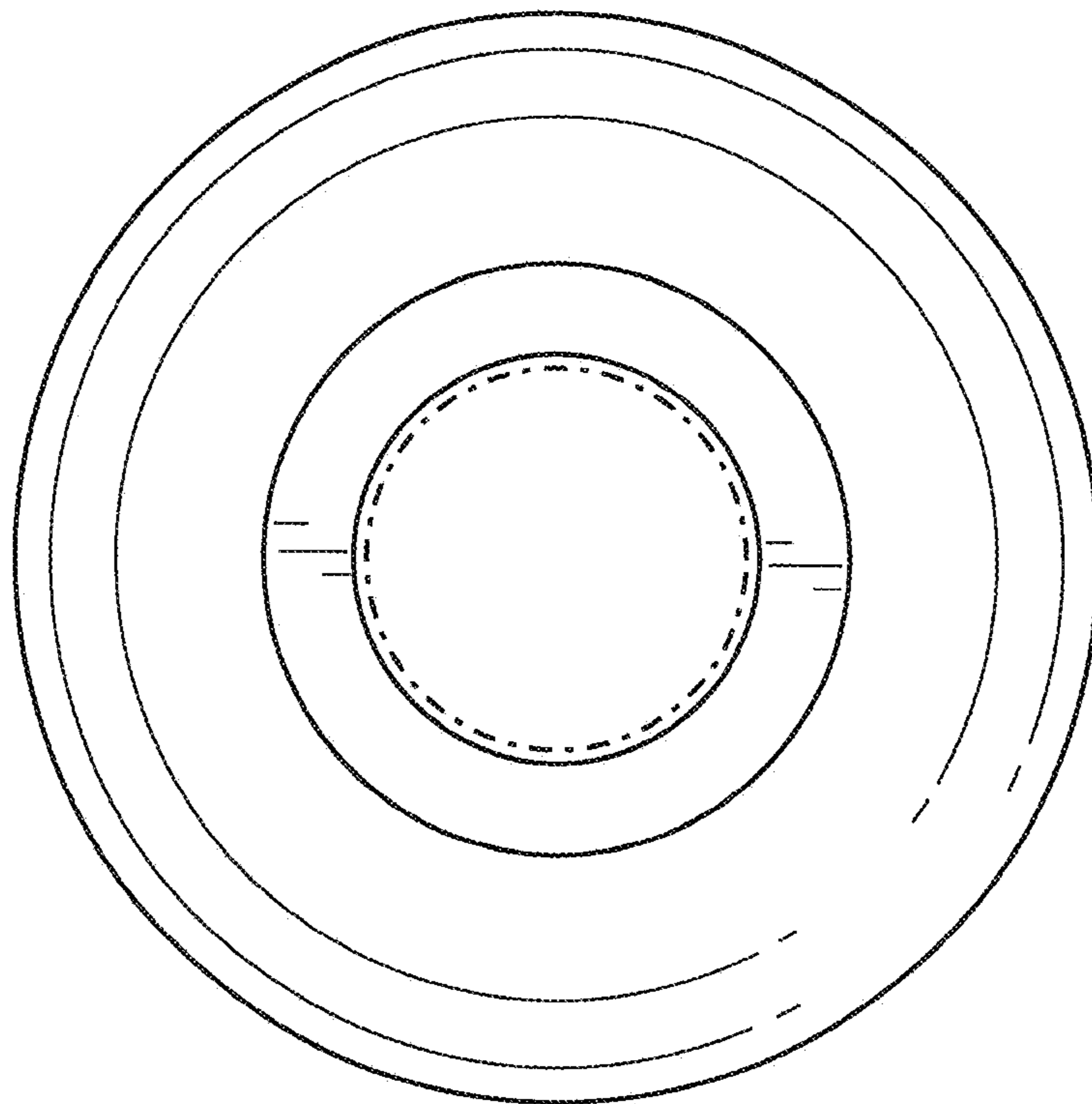


FIG. 4

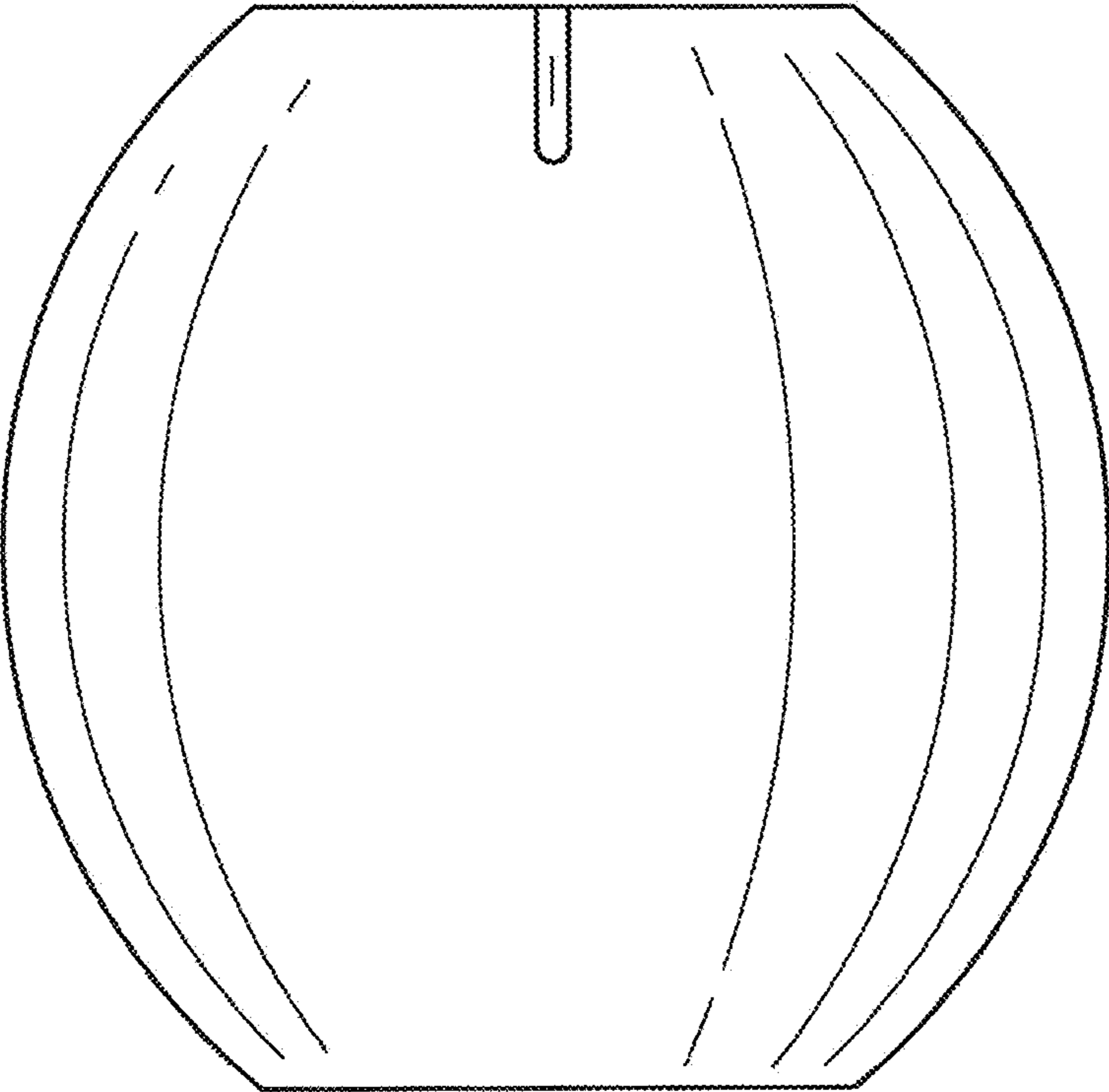


FIG. 5

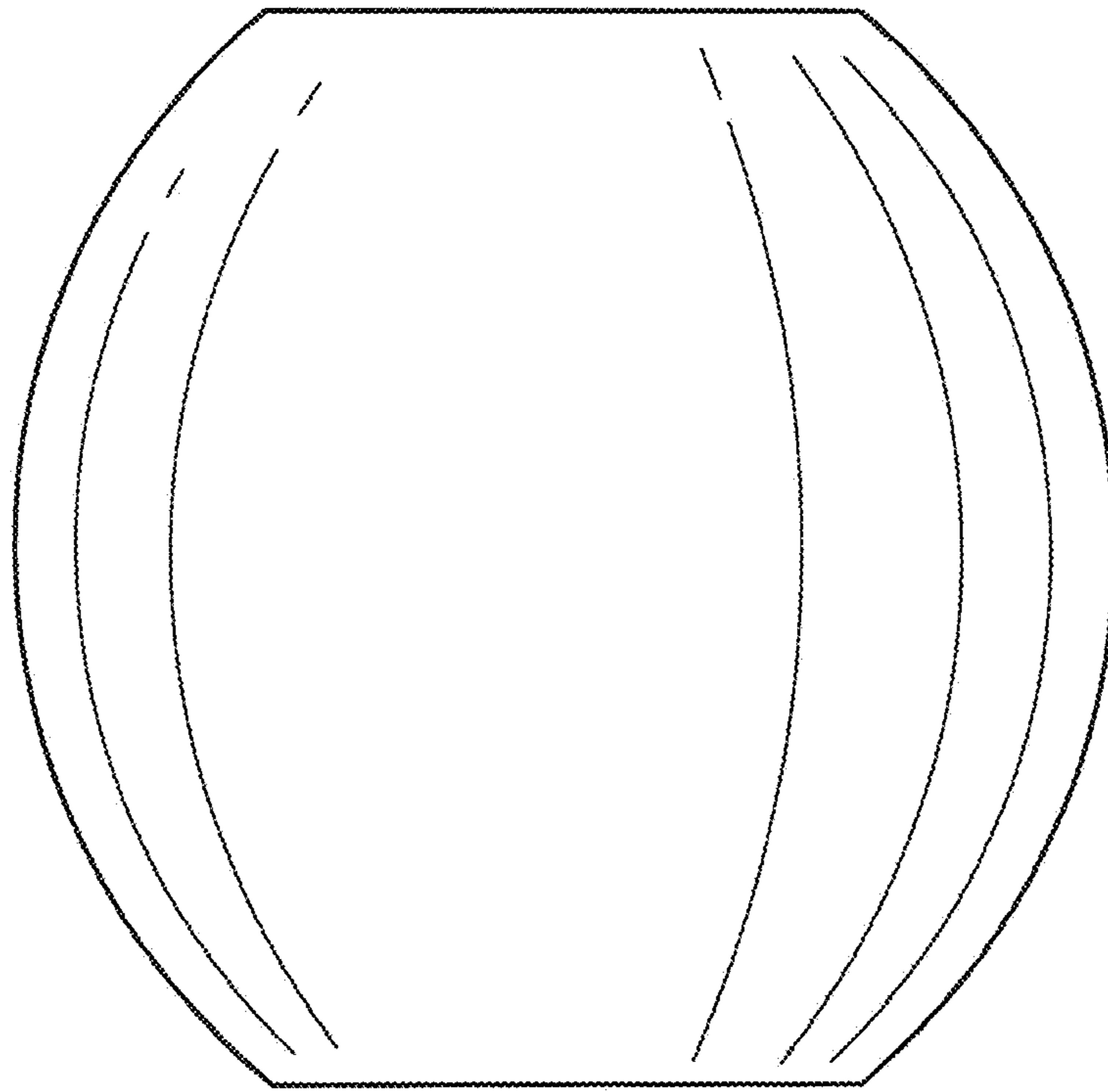


FIG. 6