



US00D959240S

(12) **United States Design Patent** (10) **Patent No.:** **US D959,240 S**
Smith (45) **Date of Patent:** **** Aug. 2, 2022**

(54) **FRAME WITH BRACKETS**
(71) Applicant: **Rentokil Initial 1927 plc**, Surrey (GB)
(72) Inventor: **Paul Smith**, Preston (GB)

D823,675 S * 7/2018 Dammann D8/380
D825,319 S * 8/2018 Zussman D8/381
D845,744 S * 4/2019 Charette D8/354
D848,621 S * 5/2019 McGee D24/183

(Continued)

(**) Term: **15 Years**

FOREIGN PATENT DOCUMENTS

(21) Appl. No.: **35/510,070**

CN 304581728 * 4/2018
KR 300441489.0000 * 2/2007

(22) Filed: **Nov. 22, 2019**

Primary Examiner — Deanna L Pratt

(80) **Hague Agreement Data**

(57) **CLAIM**

Int. Filing Date: **Nov. 22, 2019**
Int. Reg. No.: **DM/209604**
Int. Reg. Date: **Nov. 22, 2019**
Int. Reg. Pub. Date: **Aug. 14, 2020**

The ornamental design for a frame with brackets, as shown and described.

DESCRIPTION

(51) **LOC (13) Cl.** **08-08**

(52) **U.S. Cl.**
USPC **D8/354**

(58) **Field of Classification Search**
USPC D8/349, 354; D6/300; D25/38.1, 58,
D25/138, 151, 199
CPC .. E04B 2001/405; B65D 81/053; E06B 3/964
See application file for complete search history.

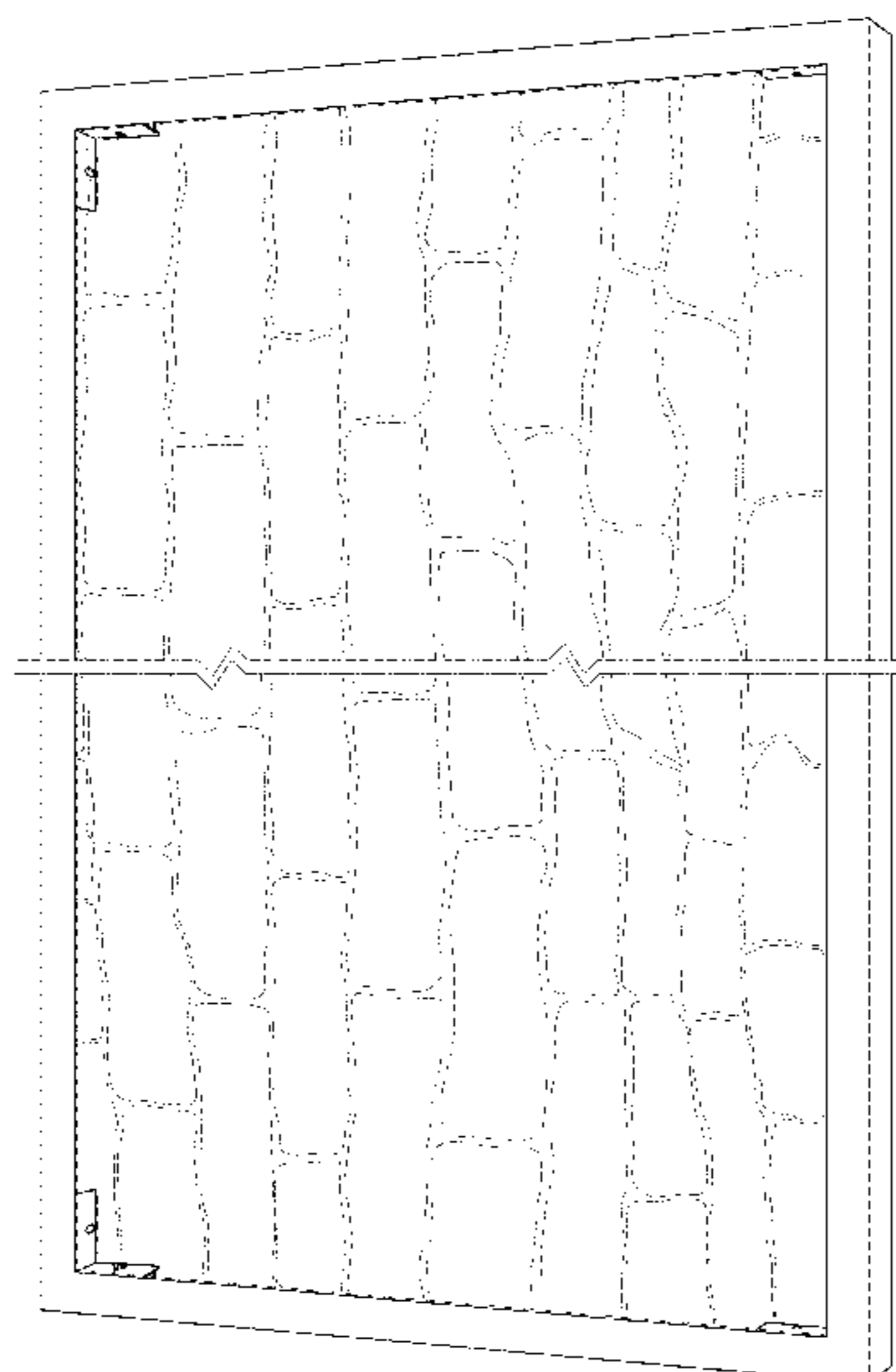
1. Frame with brackets
Fig. 1.1 is a perspective view of a single bracket of the design for a frame with brackets, shown separately for completeness of disclosure.
Fig. 1.2 is a further perspective view, at a different angle of the single bracket of the design for a frame with brackets, shown separately for completeness of disclosure.
Fig. 1.3 a perspective view of a frame of the design for a frame with brackets, shown separately for completeness of disclosure.
Fig. 1.4 is a further perspective view, at a different angle of the frame of the design for a frame with brackets, shown separately for completeness of disclosure.
Fig. 1.5 is a perspective view of a group of brackets of the design with circular magnet for a frame with brackets, shown separately for completeness of disclosure.
Fig. 1.6 is a perspective view of the frame with brackets.
Fig. 1.7 is a perspective view of the frame with brackets attached to an object for display.
The dotted lines indicate that the circular magnets and the object do not form part of the design.
The claim is directed to the collective appearance of the frame with brackets as shown in Fig. 1.7.

(56) **References Cited**

U.S. PATENT DOCUMENTS

D290,223 S * 6/1987 Westerheim 403/232.1
D307,078 S * 4/1990 Guillemet D6/300
D342,662 S * 12/1993 Lavin, Sr. D8/354
D362,383 S * 9/1995 Boelling D8/354
D558,041 S * 12/2007 Skinner D8/354
D635,449 S * 4/2011 Robinson D8/366
D638,280 S * 5/2011 Mcalonan D8/349
D647,385 S * 10/2011 Watts D8/349
D702,532 S * 4/2014 Garrido D8/354
D731,879 S * 6/2015 Williamson D8/381
D732,929 S * 6/2015 Harrow D8/354
D783,390 S * 4/2017 Nelson D8/382
D808,576 S * 1/2018 Clarke D26/138
D819,427 S * 6/2018 Mercaldi D8/354
D823,093 S * 7/2018 Kanter D8/354

1 Claim, 7 Drawing Sheets



(56)

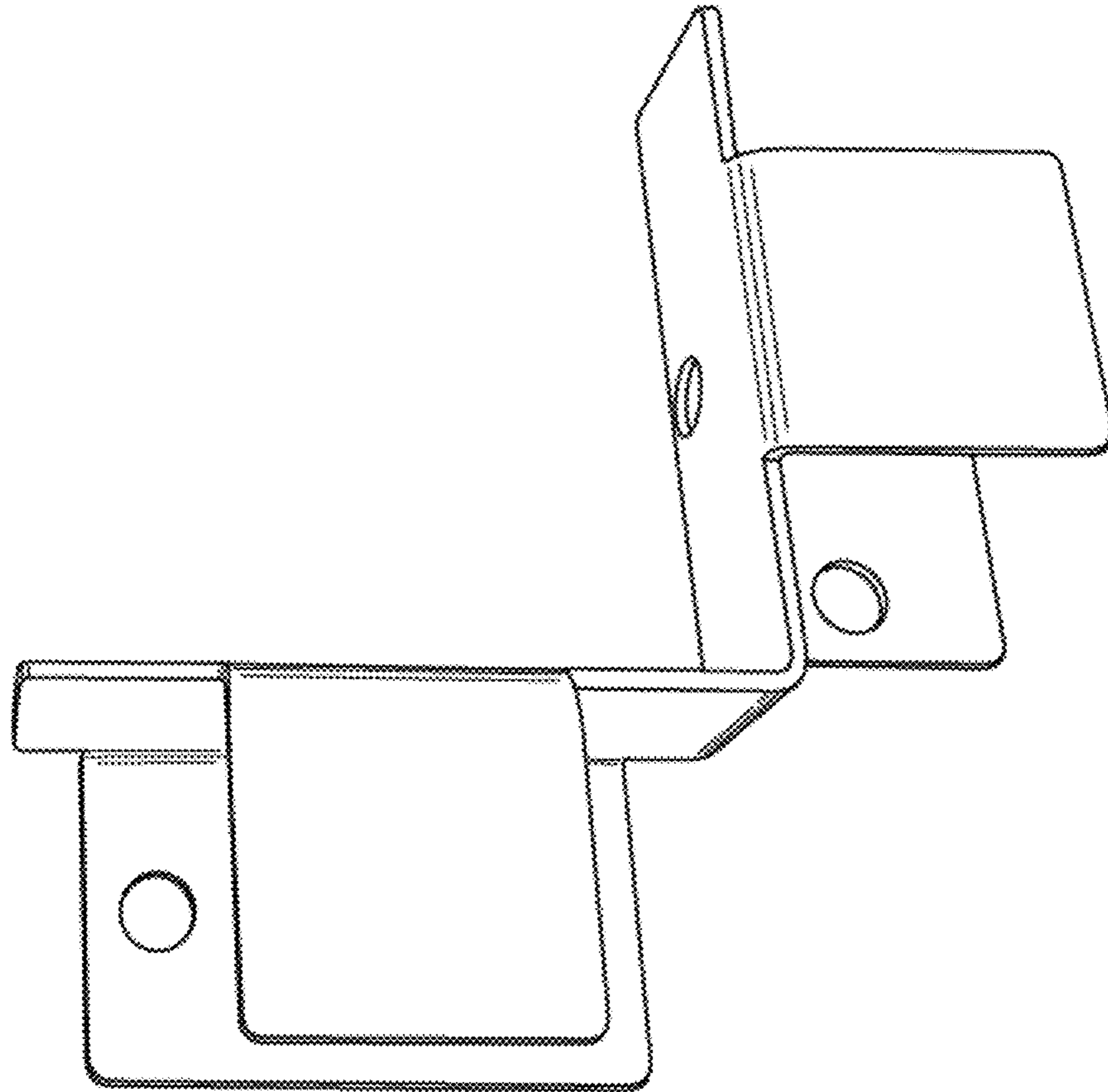
References Cited

U.S. PATENT DOCUMENTS

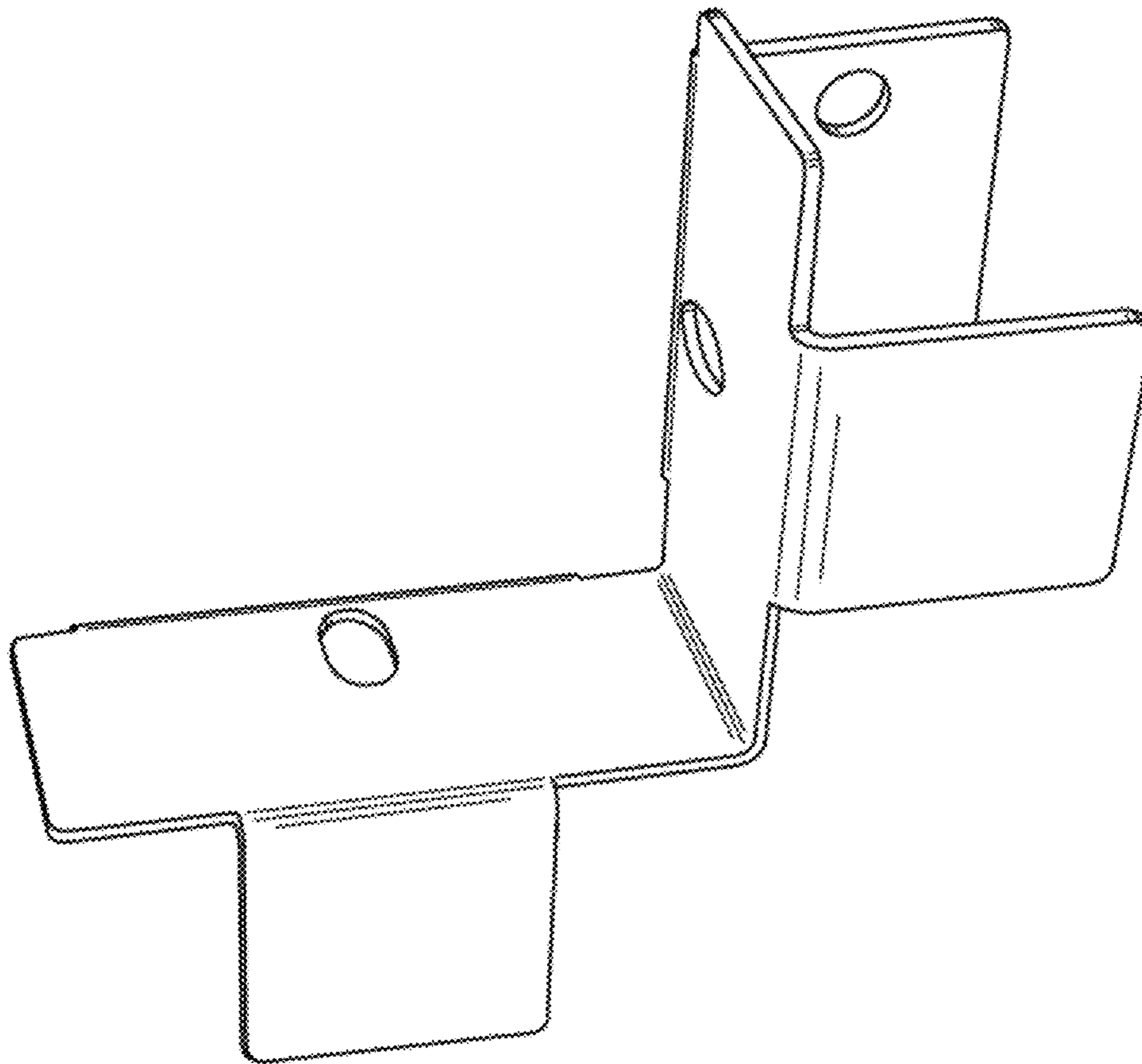
| | | | |
|--------------|--------|--------------|--------|
| D874,246 S * | 2/2020 | Stekr | D8/354 |
| D874,249 S * | 2/2020 | Stekr | D8/354 |
| D893,290 S * | 8/2020 | Wojcik | D8/382 |
| D909,076 S * | 2/2021 | Smith | D6/300 |
| D909,767 S * | 2/2021 | Katz | D6/300 |
| D911,151 S * | 2/2021 | Smith | D8/354 |

* cited by examiner

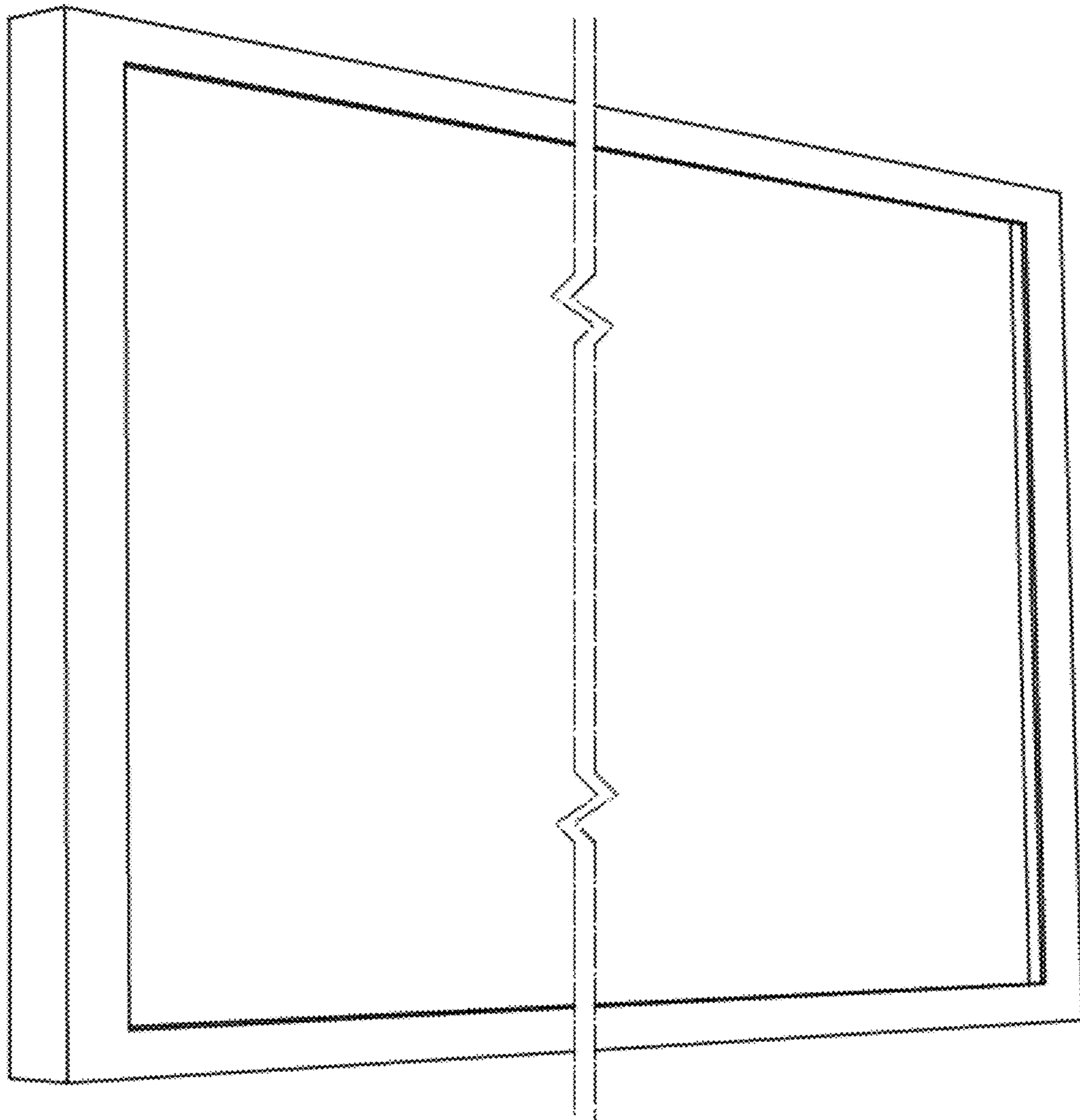
1.1



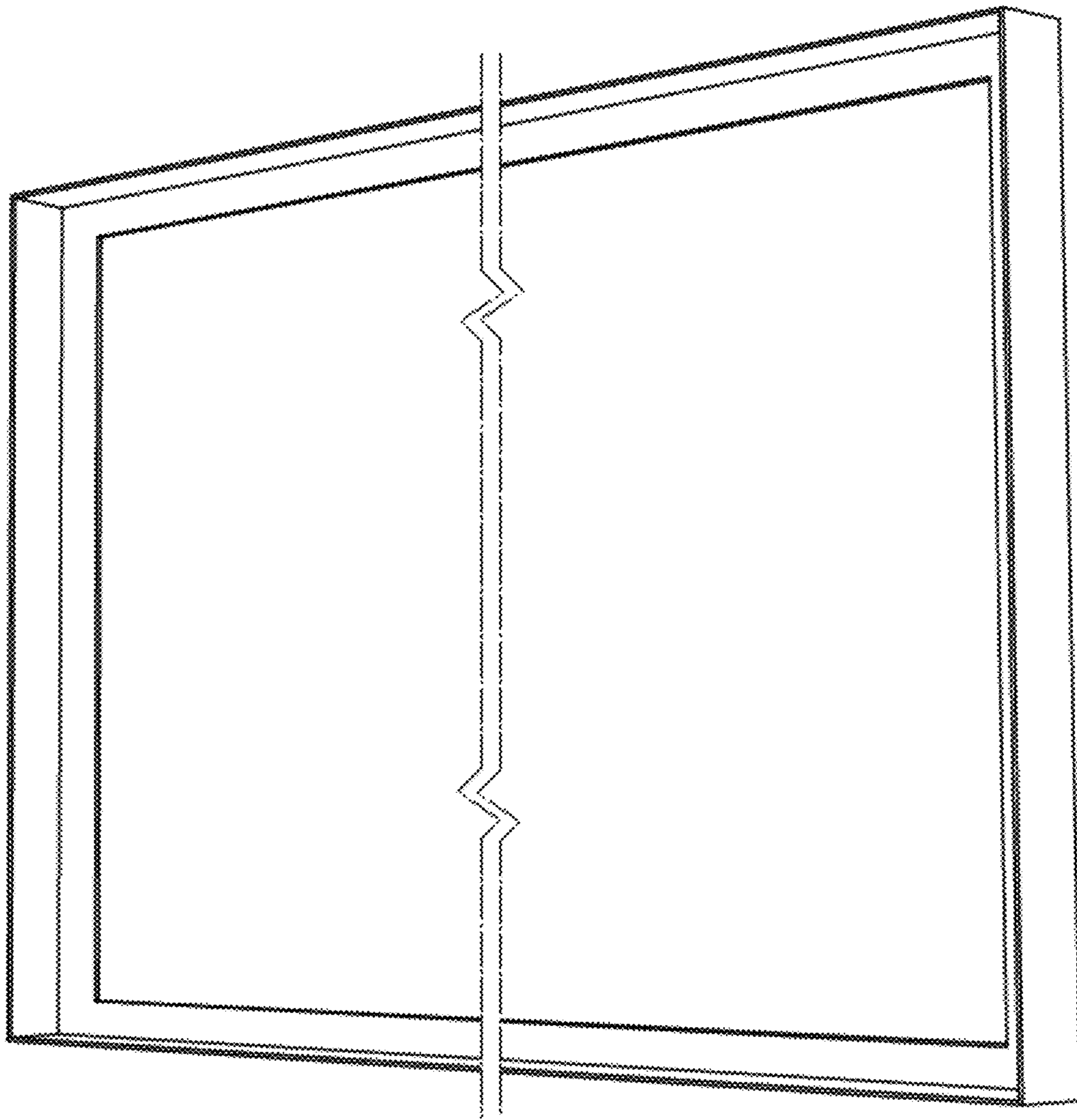
1.2



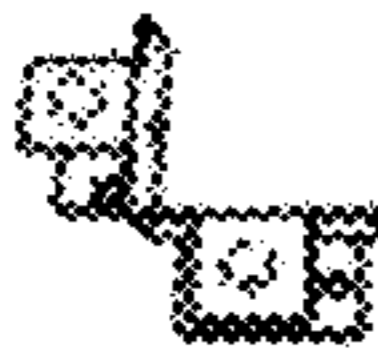
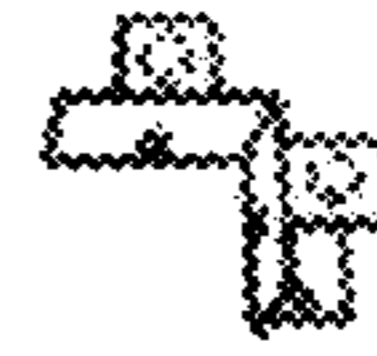
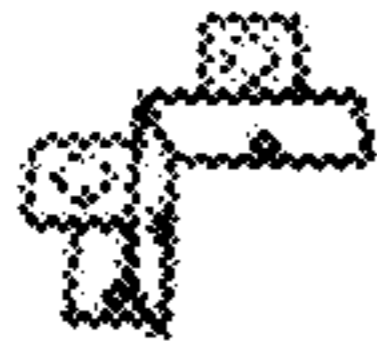
1.3



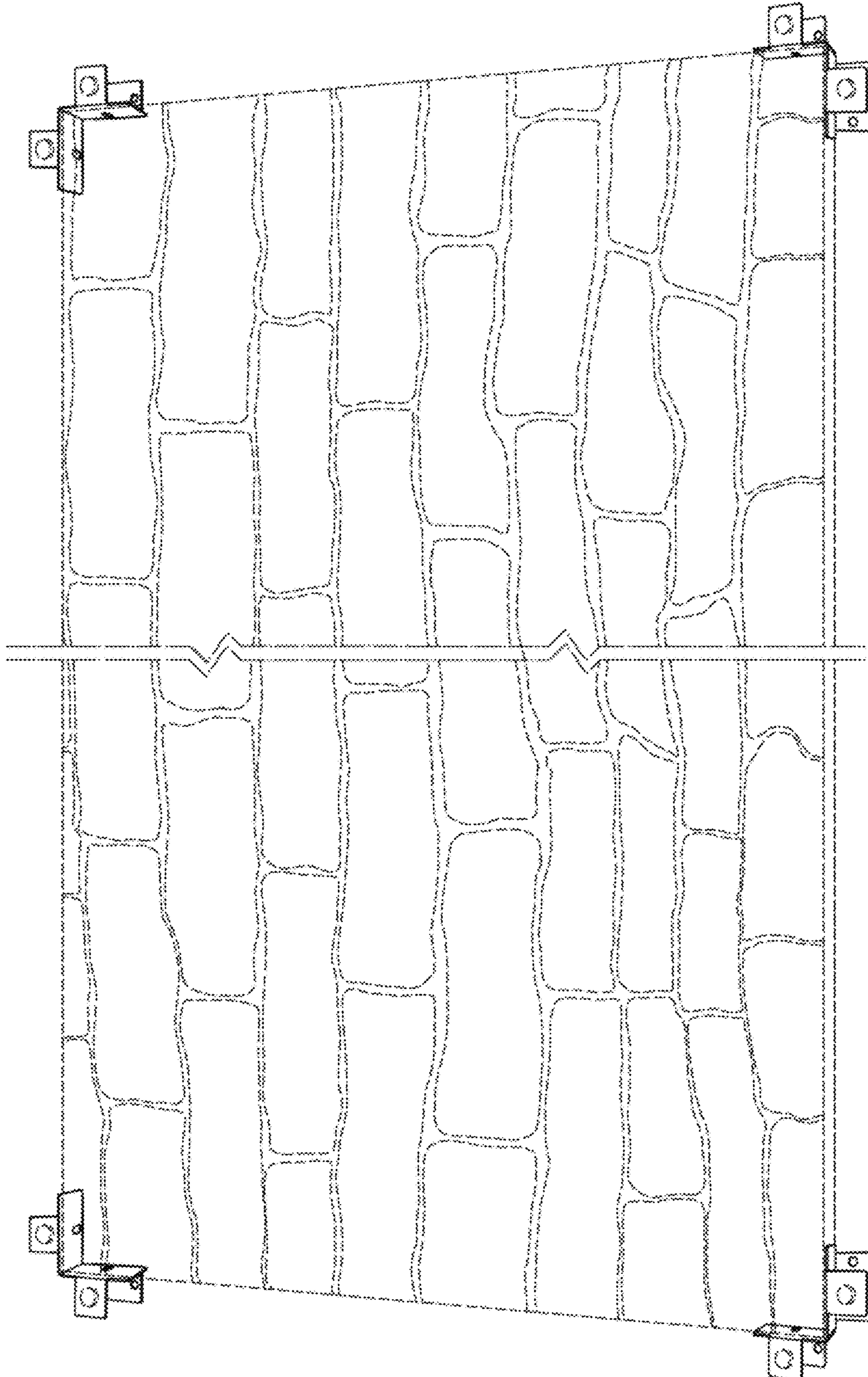
1.4



1.5



1.6



1.7

