



US00D959238S

(12) **United States Design Patent**
Nguyen et al.

(10) **Patent No.:** **US D959,238 S**

(45) **Date of Patent:** **** Aug. 2, 2022**

(54) **PUMP MOUNT**

(71) Applicant: **BLUE-WHITE INDUSTRIES, LTD.**,
Huntington Beach, CA (US)

(72) Inventors: **John T. Nguyen**, Fountain Valley, CA
(US); **Robert E. Gledhill, III**,
Huntington Beach, CA (US)

(73) Assignee: **BLUE-WHITE INDUSTRIES, LTD.**,
Huntington Beach, CA (US)

(**) Term: **15 Years**

(21) Appl. No.: **29/702,346**

(22) Filed: **Aug. 19, 2019**

(51) **LOC (13) Cl.** **08-05**

(52) **U.S. Cl.**
USPC **D8/354**

(58) **Field of Classification Search**
USPC D8/16, 19, 350, 353, 354, 364, 366, 499,
D8/380, 381, 371, 373, 349
CPC . F04D 29/605; F04B 39/14; F17C 2205/0192
See application file for complete search history.

(56) **References Cited**

U.S. PATENT DOCUMENTS

4,444,358	A *	4/1984	Spohn	B60S 1/50	
					D8/395	
5,494,250	A	2/1996	Chen			
5,664,292	A	9/1997	Chen			
7,001,153	B2	2/2006	McDowell et al.			
7,284,964	B2	10/2007	McDowell et al.			
D555,459	S *	11/2007	Goodwin, III	D8/363	
D631,735	S *	2/2011	Johnson	D8/380	
D635,013	S *	3/2011	Larsen	D8/380	
8,215,931	B2	7/2012	McDowell et al.			
8,418,364	B2	4/2013	McDowell et al.			
8,639,363	B2	1/2014	Gledhill, III et al.			
9,374,024	B2	6/2016	Nguyen et al.			

9,389,109	B2	7/2016	Gledhill, III et al.			
D766,601	S *	9/2016	Barre	D6/326	
9,523,374	B2 *	12/2016	Yazykov	F04D 29/605	
9,777,720	B2	10/2017	Gledhill, III et al.			
9,828,984	B2	11/2017	Gledhill, III et al.			
9,909,579	B2	3/2018	Gledhill, III et al.			
9,996,089	B2	6/2018	Gledhill, III et al.			
D821,850	S *	7/2018	Tyrer	D8/354	
10,281,083	B2 *	5/2019	Bacallao	F16M 13/02	
10,330,094	B2	6/2019	Gledhill, III et al.			
D853,224	S *	7/2019	Bacallao	D8/373	
10,385,859	B2 *	8/2019	Roussel	F04D 29/605	
D878,096	S *	3/2020	Tortorella, Jr.	D6/553	
10,823,167	B2 *	11/2020	Dietzsch	F04B 39/14	
10,948,320	B2	3/2021	Gledhill, III et al.			

(Continued)

FOREIGN PATENT DOCUMENTS

CN 201027711 Y 2/2008

Primary Examiner — Keli L Hill

Assistant Examiner — Harold E Blackwell, II

(74) *Attorney, Agent, or Firm* — Knobbe, Martens, Olson & Bear, LLP

(57) **CLAIM**

The ornamental design for a pump mount, as shown and described.

DESCRIPTION

FIG. 1 is a top-side isometric view of a design for a pump mount;

FIG. 2 is a front view of the pump mount;

FIG. 3 is a rear view of the pump mount;

FIG. 4 is a left side view of the pump mount;

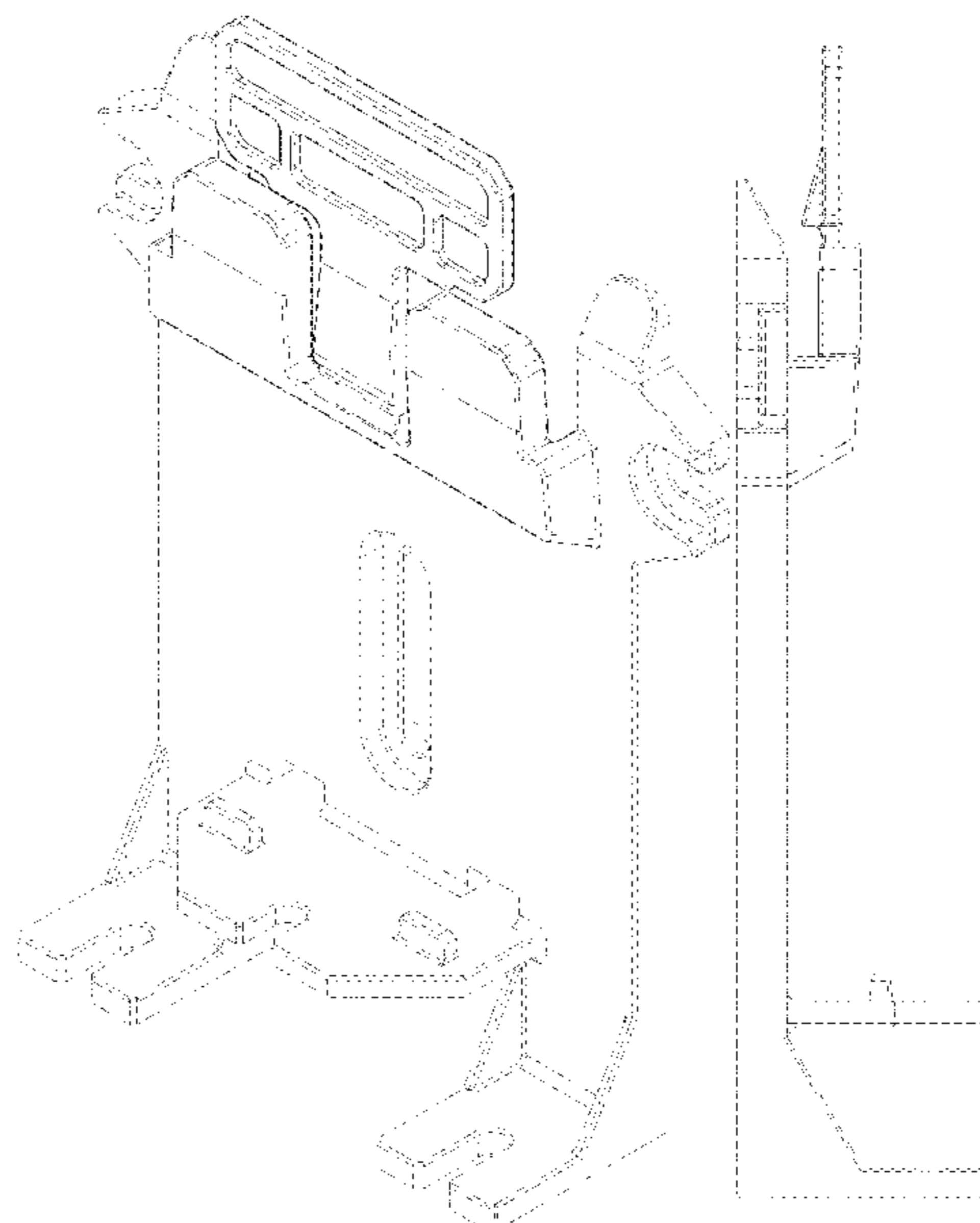
FIG. 5 is a right side view of the pump mount;

FIG. 6 is a top view of the pump mount; and,

FIG. 7 is a bottom view of the pump mount.

The broken lines in the drawings illustrate portions of a pump mount which form no part of the claimed design.

1 Claim, 5 Drawing Sheets



(56)

References Cited

U.S. PATENT DOCUMENTS

D929,838	S *	9/2021	Tschan	D8/71
11,131,300	B2	9/2021	Gledhill, III et al.	
D932,289	S *	10/2021	Tortorella, Jr.	D8/373
11,150,118	B2	10/2021	Gledhill, III et al.	
11,221,004	B2	1/2022	Gledhill, III et al.	
D945,870	S *	3/2022	Vandenberg	D8/382
11,261,857	B2	3/2022	Gledhill, III et al.	
2009/0078848	A1	3/2009	Caldwell et al.	
2010/0005655	A1	1/2010	Nguyen	
2011/0180172	A1	7/2011	Gledhill, III et al.	
2015/0211509	A1	7/2015	Gledhill, III et al.	
2018/0291886	A1	10/2018	Gledhill, III et al.	
2018/0298891	A1	10/2018	Gledhill, III et al.	
2020/0386593	A1	12/2020	Nguyen et al.	
2021/0047209	A1	2/2021	Gledhill, III et al.	
2021/0054963	A1	2/2021	Nguyen et al.	
2021/0064735	A1	3/2021	Gledhill, III et al.	
2021/0324845	A1	10/2021	Nguyen et al.	
2021/0348602	A1	11/2021	Nguyen et al.	
2022/0034693	A1	2/2022	Gledhill, III et al.	
2022/0099083	A1	3/2022	Gledhill, III et al.	

* cited by examiner

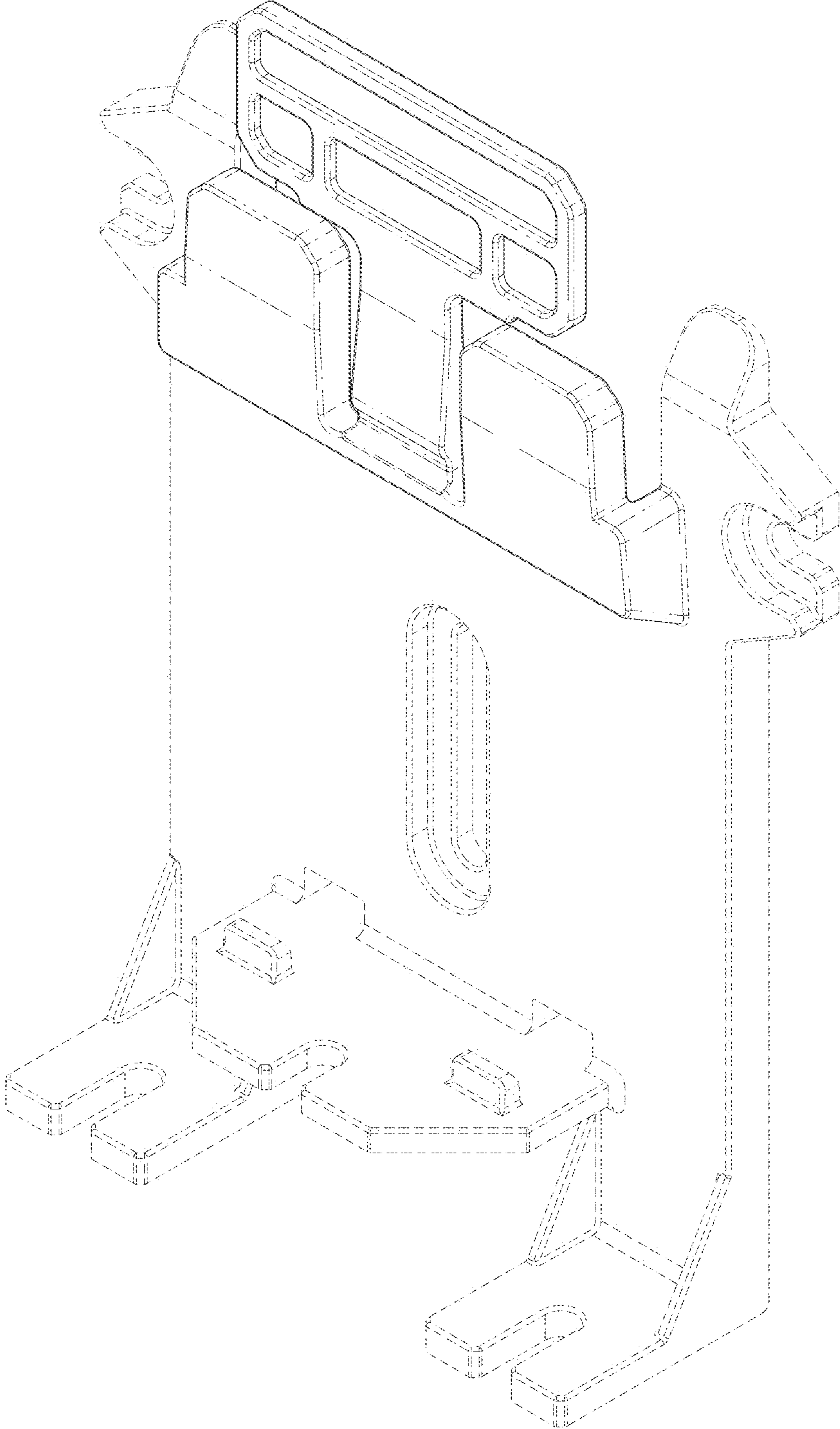


FIG. 1

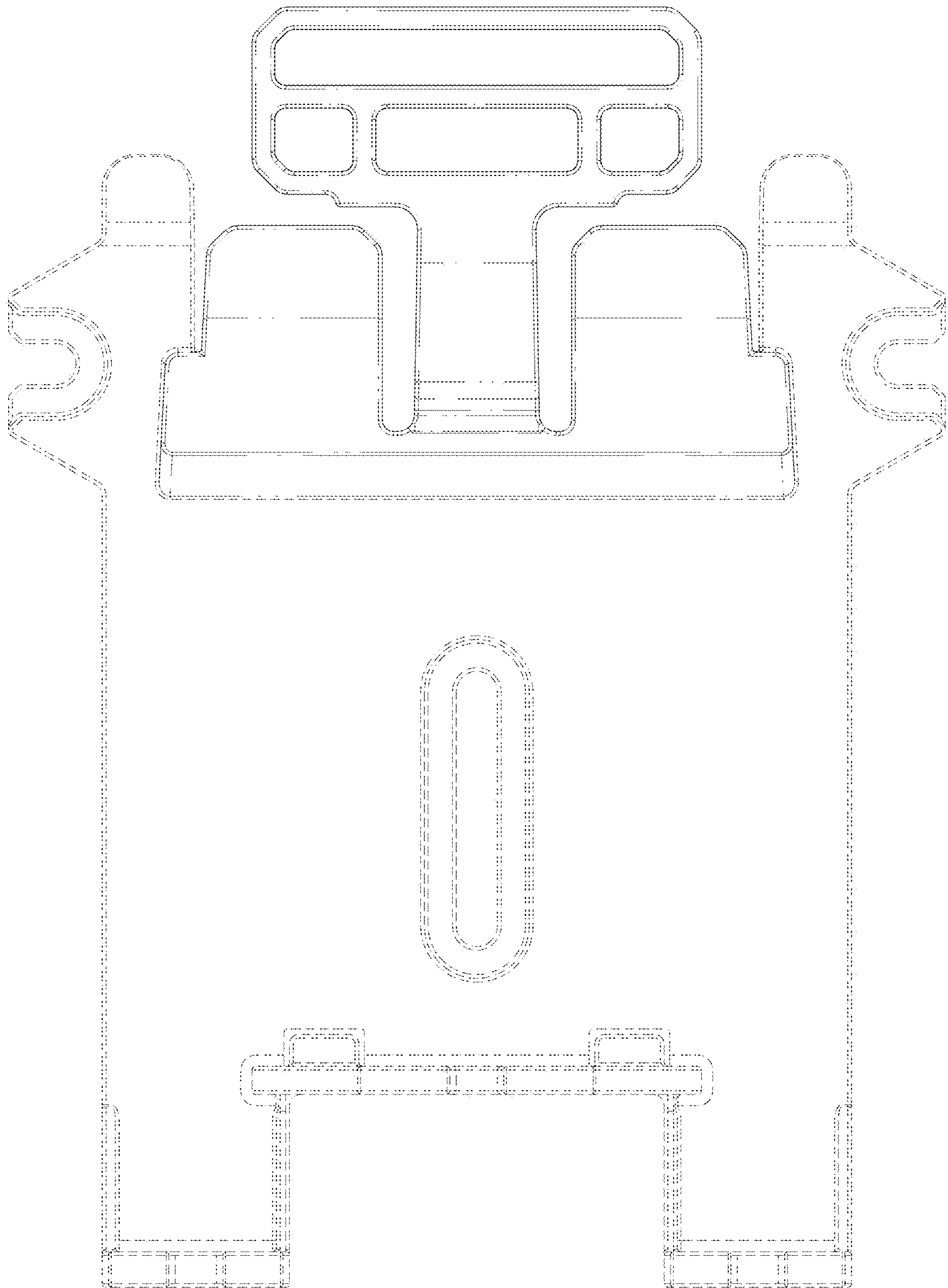


FIG. 2

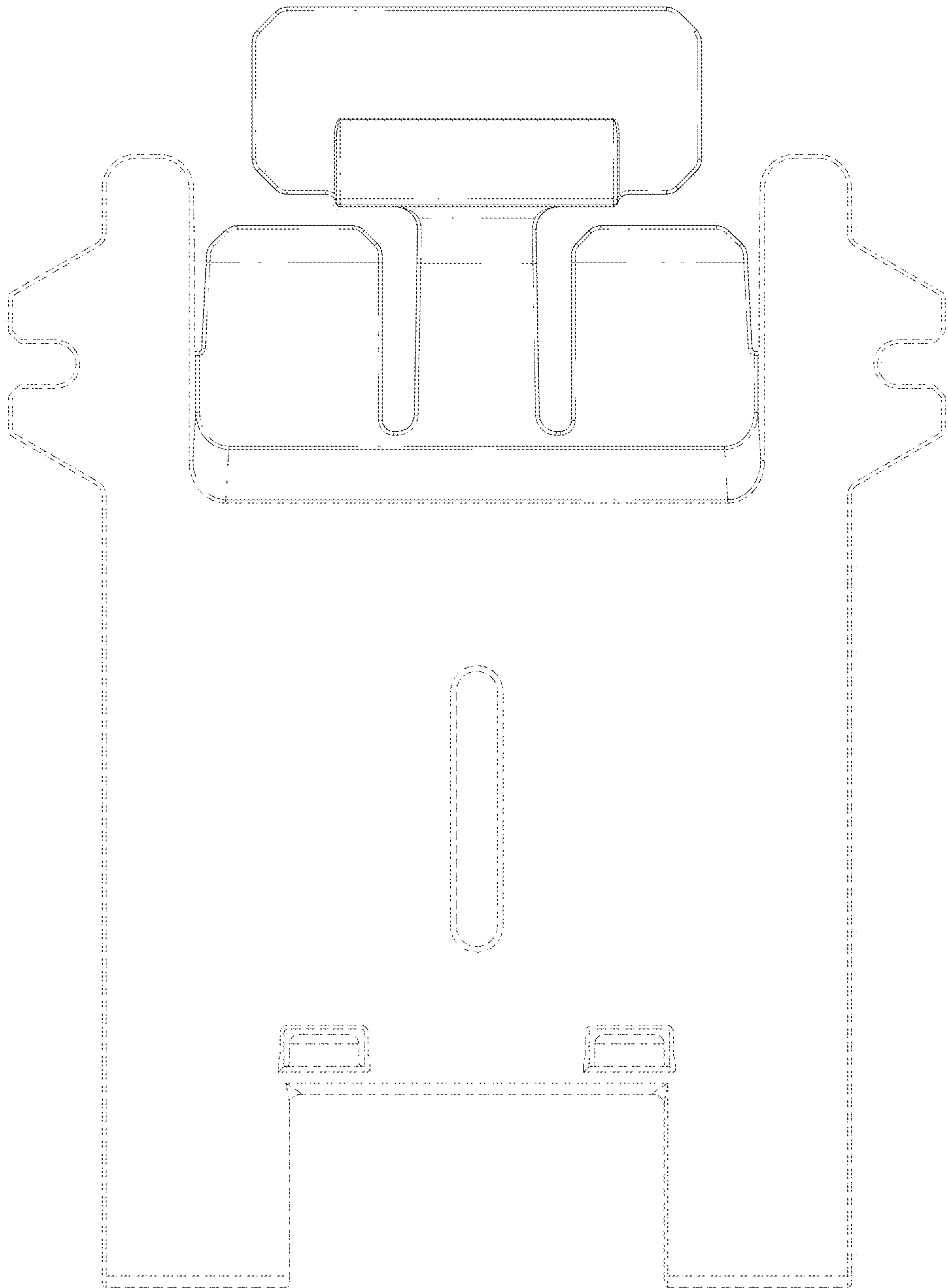


FIG. 3

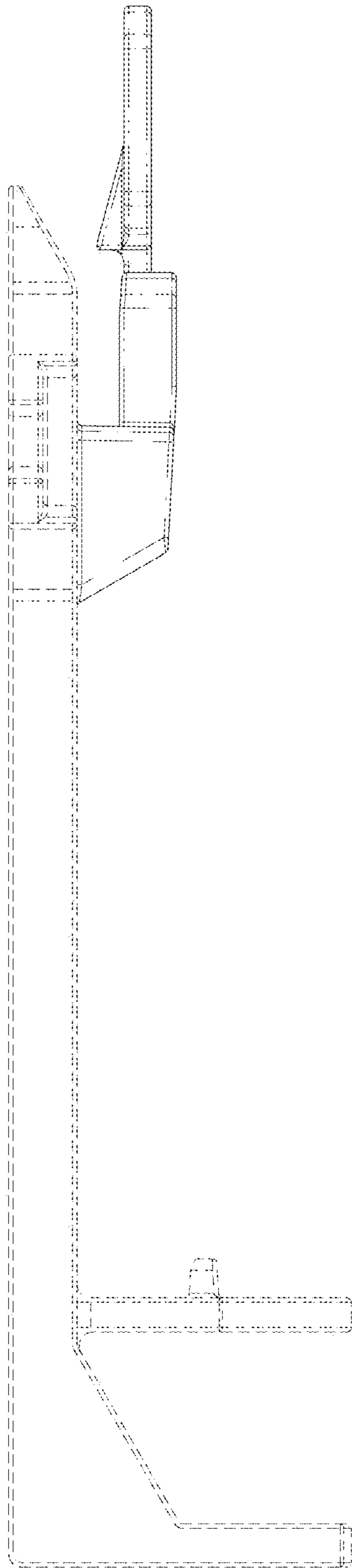


FIG. 4

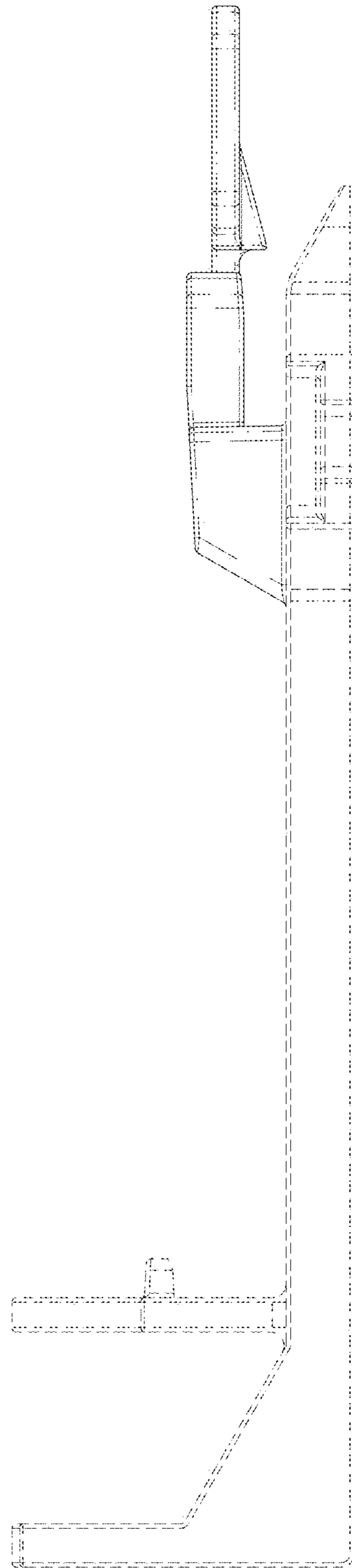


FIG. 5

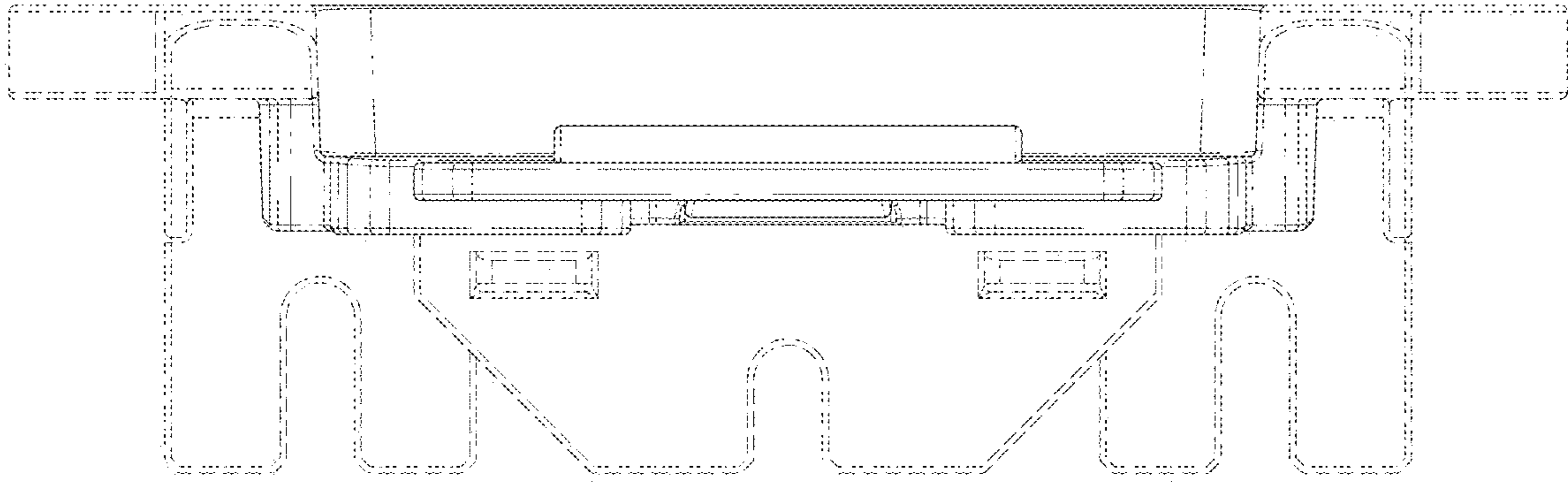


FIG. 6

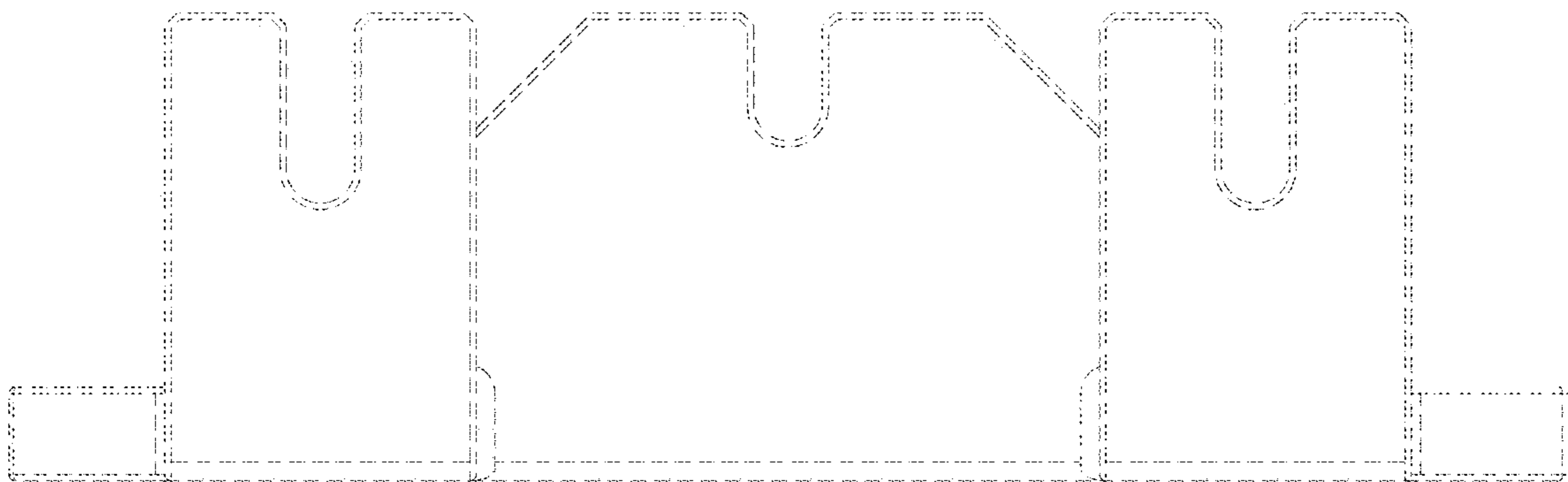


FIG. 7