



US00D959237S

(12) **United States Design Patent**
Mantenuto

(10) **Patent No.:** **US D959,237 S**

(45) **Date of Patent:** **** Aug. 2, 2022**

(54) **BRACKET**

(71) Applicant: **2721111 Ontario Inc.**, Vaughan (CA)

(72) Inventor: **Paolo Mantenuto**, Vaughan (CA)

(**) Term: **15 Years**

(21) Appl. No.: **29/727,464**

(22) Filed: **Mar. 11, 2020**

(30) **Foreign Application Priority Data**

Nov. 1, 2019 (CA) CA 190900

(51) **LOC (13) Cl.** **08-08**

(52) **U.S. Cl.**
USPC **D8/349**

(58) **Field of Classification Search**
USPC D8/349, 354, 363, 366, 371, 373, 380,
D8/381, 382, 384; 52/707, 712, 715, 98,
52/100, 696, 697, 188, 191, 702, 745.06,
52/189, 506.5, 586.1; 248/48.1, 519, 300,
248/237, 309.1, 238; D25/137, 133;
256/11; 174/45 R, 46, 40 R, 45 TD,
174/40 CCC, 43, 493; 220/251, 284;
362/431; 411/402

CPC E04H 17/14; E04H 17/24; E04H 17/00;
E04H 17/10; E04H 17/02; E04C 3/02;
E04C 3/42; E04C 2003/026; E04B
2001/2696; E04B 2001/2644; E04B
2001/405; E04B 1/2612; E04B 1/26;
E04B 1/2608; E04B 1/003; E04B 1/2604
See application file for complete search history.

(56) **References Cited**

U.S. PATENT DOCUMENTS

D425,402 S * 5/2000 Welborn D8/354
D632,159 S * 2/2011 Charette D8/354

D663,608 S * 7/2012 Ruperto D8/354
D695,592 S * 12/2013 White D8/354
D752,417 S * 3/2016 Witting D8/354
D766,701 S * 9/2016 Snell D8/349
D782,289 S * 3/2017 Darby D8/380
D790,324 S * 6/2017 Ajello D8/354
D826,029 S * 8/2018 Granberg D8/349
D833,851 S * 11/2018 Kanter D8/354
D878,184 S * 3/2020 Holloway D8/394
D884,461 S * 5/2020 Allen D8/349
D905,537 S * 12/2020 Marsden D8/354
D909,185 S * 2/2021 Su D6/682.2
D920,082 S * 5/2021 Kellerman D8/354
D938,803 S * 12/2021 Gualtieri D8/349
D943,393 S * 2/2022 McVey D8/354
D948,315 S * 4/2022 Pavlov D8/354
D950,358 S * 5/2022 Dedios-Shirley D8/349

* cited by examiner

Primary Examiner — Mark A Goodwin

(74) *Attorney, Agent, or Firm* — Larson & Larson, P.A.;
Frank Liebenow; Justin P. Miller

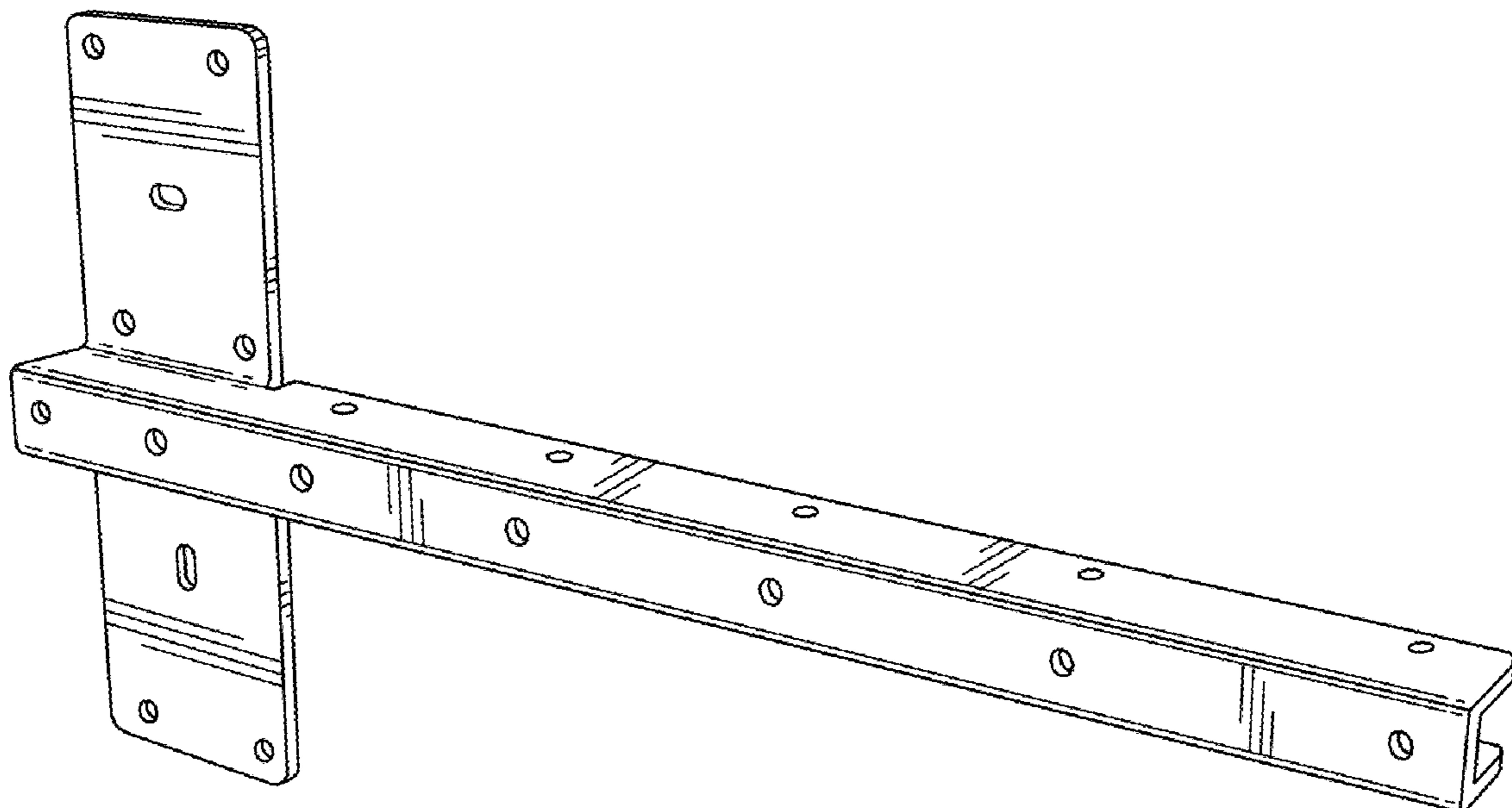
(57) **CLAIM**

The ornamental design for a bracket, as shown and described.

DESCRIPTION

FIG. 1 is a first perspective view of the bracket;
FIG. 2 is a second perspective view thereof;
FIG. 3 is a top plan view thereof;
FIG. 4 is a bottom plan view thereof;
FIG. 5 is a rear-side plan thereof;
FIG. 6 is a front-side plan view thereof;
FIG. 7 is a left-side plan view thereof; and,
FIG. 8 is a right-side plan view thereof.

1 Claim, 3 Drawing Sheets



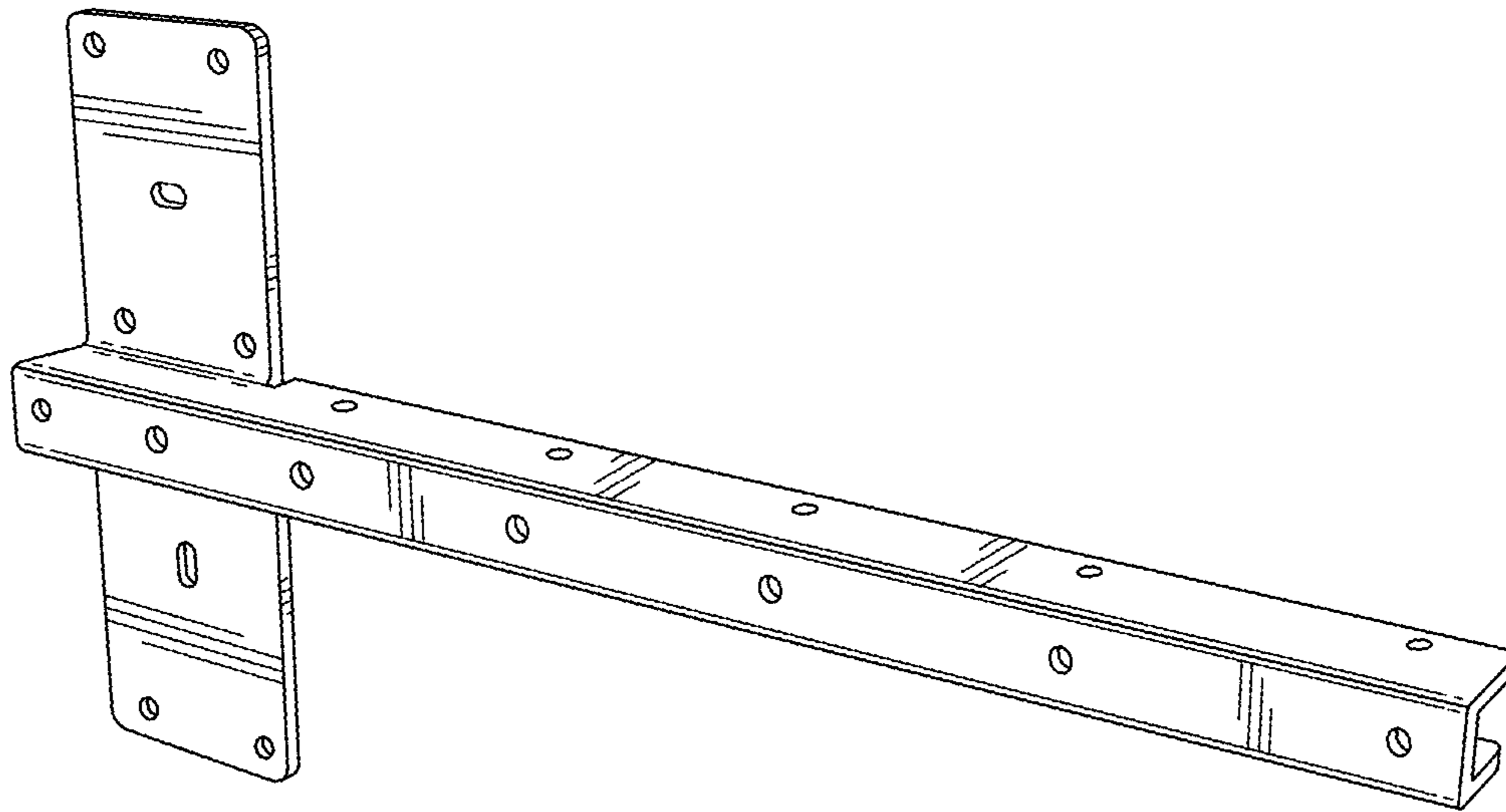


FIG. 1

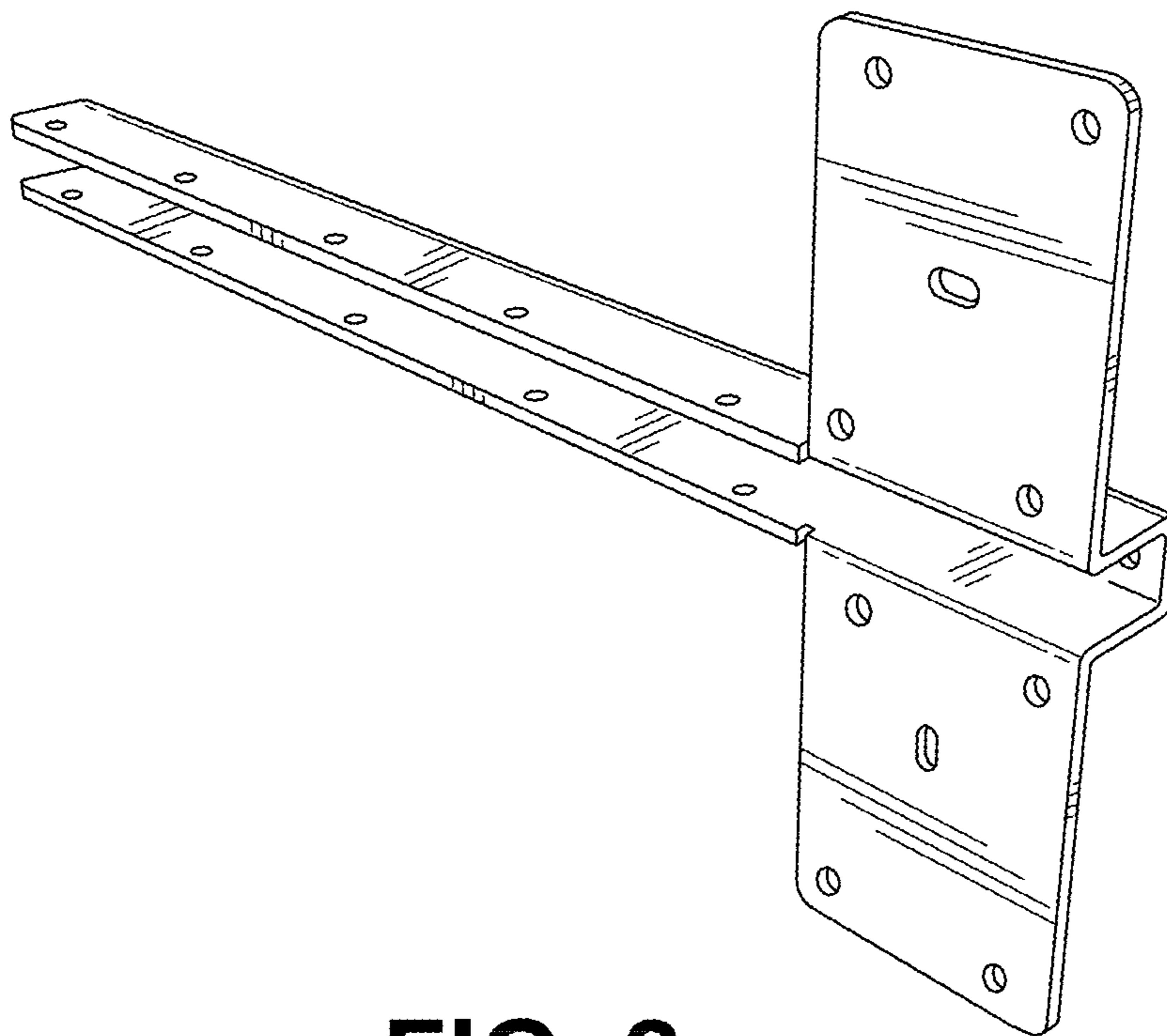


FIG. 2

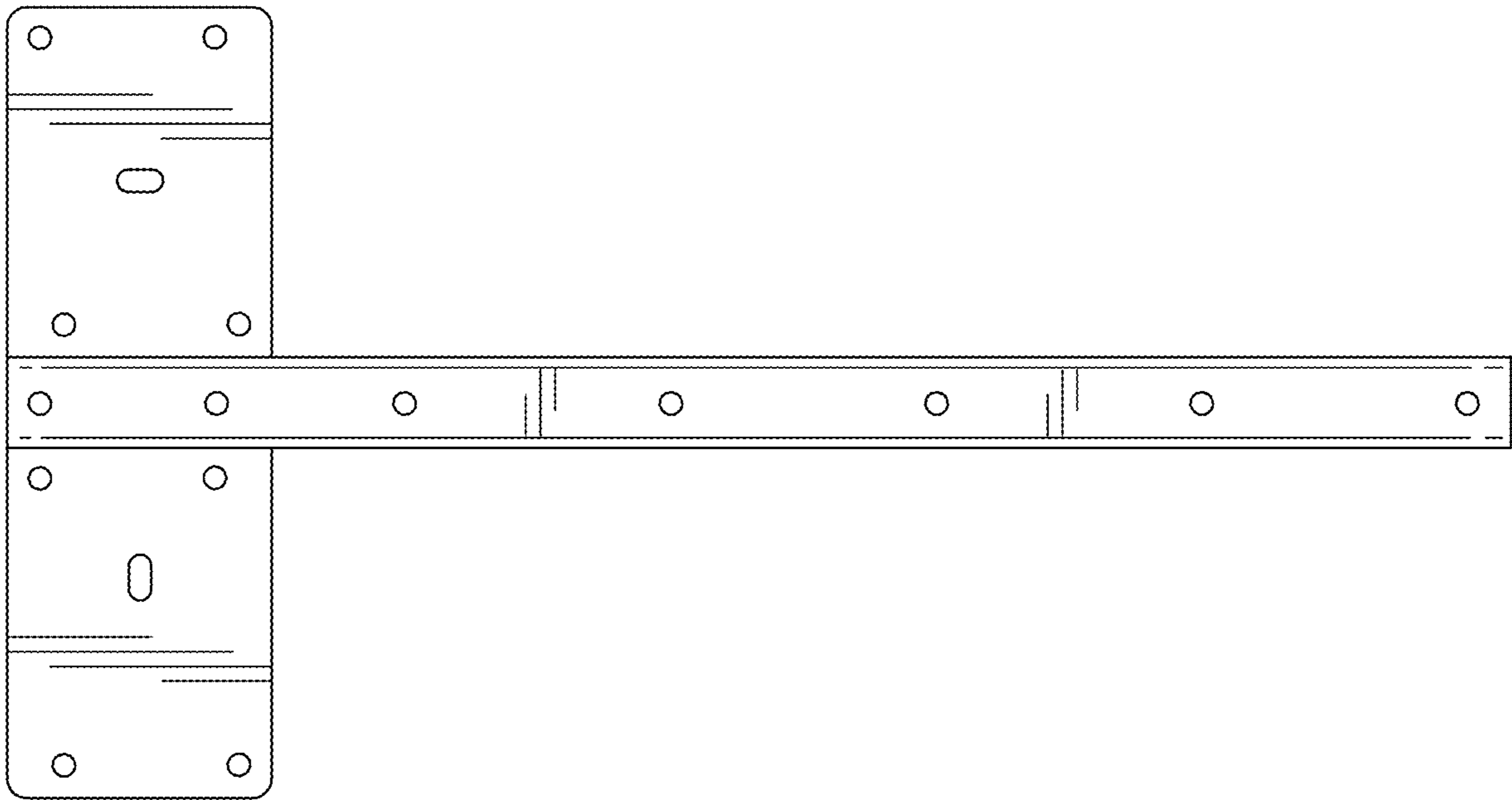


FIG. 3

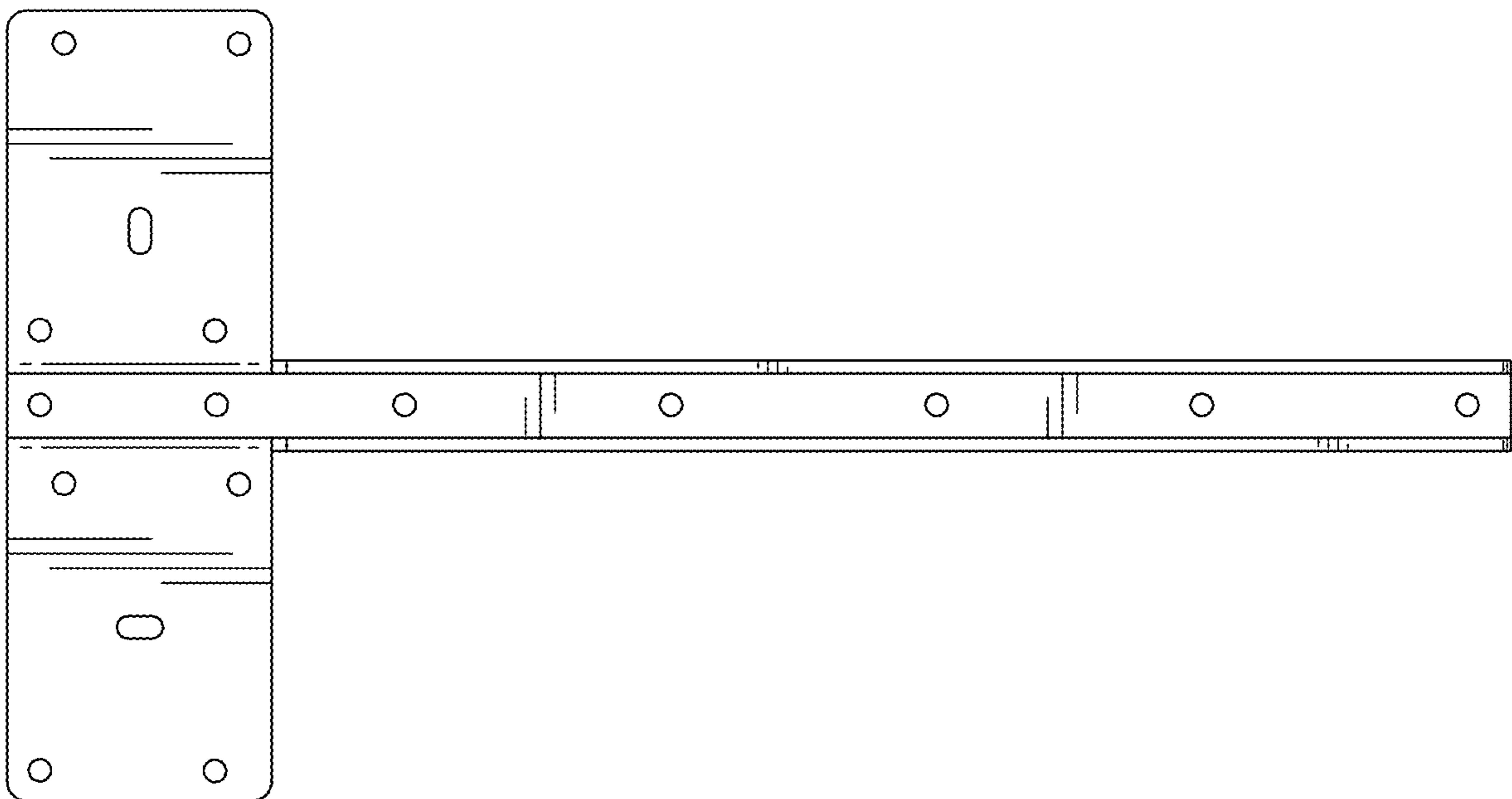


FIG. 4

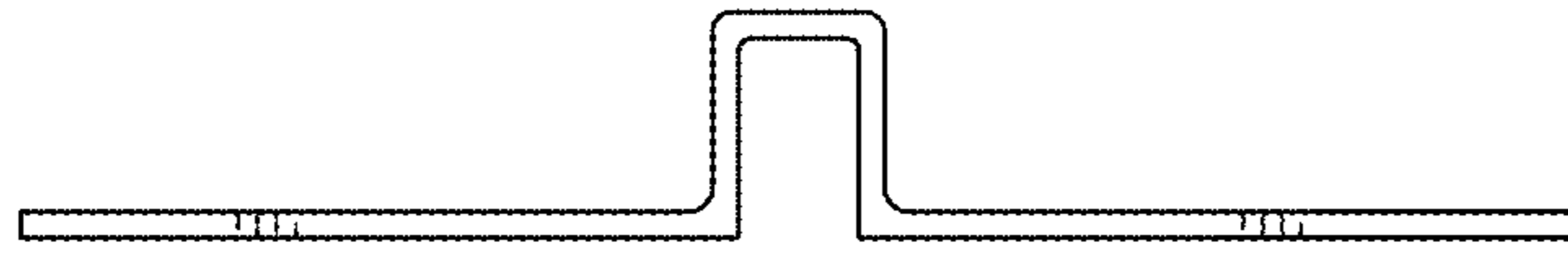


FIG. 5

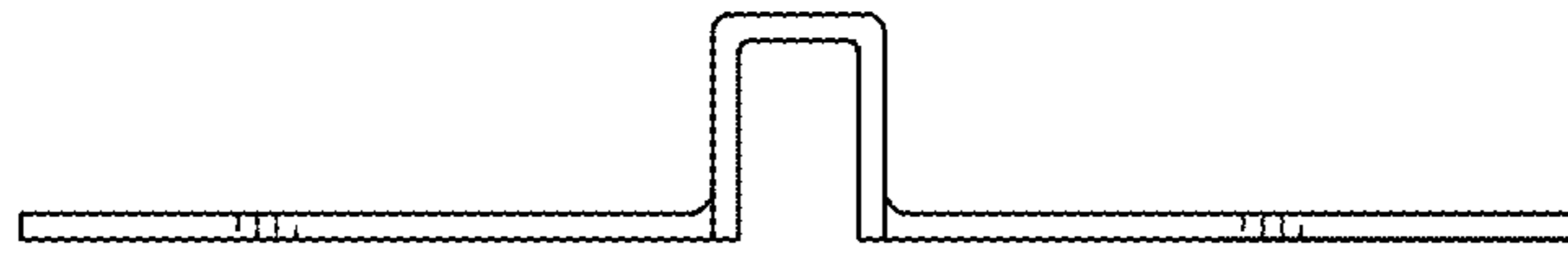


FIG. 6

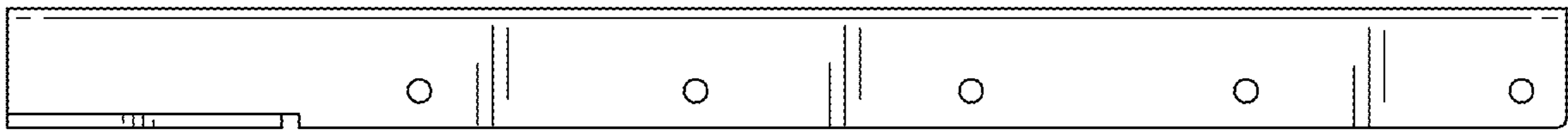


FIG. 7

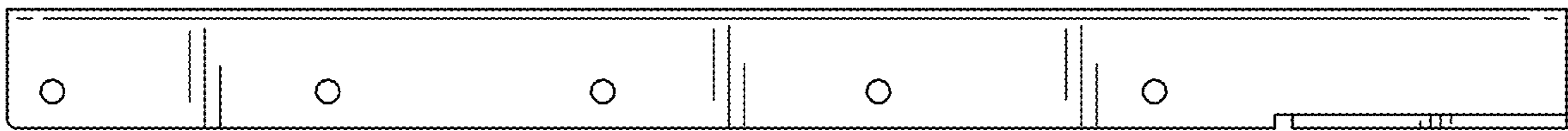


FIG. 8