



US00D959235S

(12) **United States Design Patent**
Habbouch

(10) **Patent No.:** **US D959,235 S**

(45) **Date of Patent:** **** Aug. 2, 2022**

(54) **DECORATIVE HANDLE**

D788,567 S * 6/2017 Zimmer D8/317
D801,778 S * 11/2017 Zimmer D8/316
D896,058 S * 9/2020 Prezner D8/319

(71) Applicant: **Pride Industrial, LLC**, Chino Hills, CA (US)

(72) Inventor: **Joseph Habbouch**, Chino Hills, CA (US)

(73) Assignee: **Pride Industrial, LLC**, Chino Hills, CA (US)

(**) Term: **15 Years**

(21) Appl. No.: **29/756,231**

(22) Filed: **Oct. 27, 2020**

(51) **LOC (13) Cl.** **08-06**

(52) **U.S. Cl.**
USPC **D8/315; D8/320**

(58) **Field of Classification Search**
USPC D8/315–316, 319–322
CPC A47B 95/02; Y10T 16/458; Y10T 16/462
See application file for complete search history.

(56) **References Cited**

U.S. PATENT DOCUMENTS

D138,910 S *	9/1944	Stone	D8/DIG. 1
D327,409 S *	6/1992	Fulton	D8/316
D387,265 S *	12/1997	Mattson	D8/316
D413,248 S *	8/1999	O’Neil	D8/317
D418,389 S *	1/2000	O’Neil	D8/317
D598,269 S *	8/2009	Hanes	D8/317
D629,667 S *	12/2010	Koskela	D8/315
D679,985 S *	4/2013	Ramsland	D8/317
D718,606 S *	12/2014	Ramsland	D8/315
D737,112 S *	8/2015	Han	D8/316
D763,657 S *	8/2016	Zimmer	D8/317
D779,916 S *	2/2017	Zimmer	D8/317
D780,552 S *	3/2017	Zimmer	D8/316

OTHER PUBLICATIONS

“G is for Greek Key”, Sep. 1, 2010, ibbdesign.com, site visited Jan. 20, 2022: <https://ibbdesign.com/2010/09/01/g-is-for-greek-key/> (Year: 2010).*

“Treat Yo Self: Greek Key Hardware”, Sep. 2018, blog.effortless-style.com, site visited Jan. 20, 2022: <https://blog.effortless-style.com/2018/09/treat-yo-self-greek-key-hardware/> (Year: 2018).*

“LynnsGraceland”, Jan. 31, 2019, Amazon.com, site visited Jan. 20, 2022: <https://www.amazon.com/dp/B099JFRM33> (Year: 2019).*

* cited by examiner

Primary Examiner — Jack Reickel

Assistant Examiner — Michael A Kervin

(74) *Attorney, Agent, or Firm* — Varnum LLP

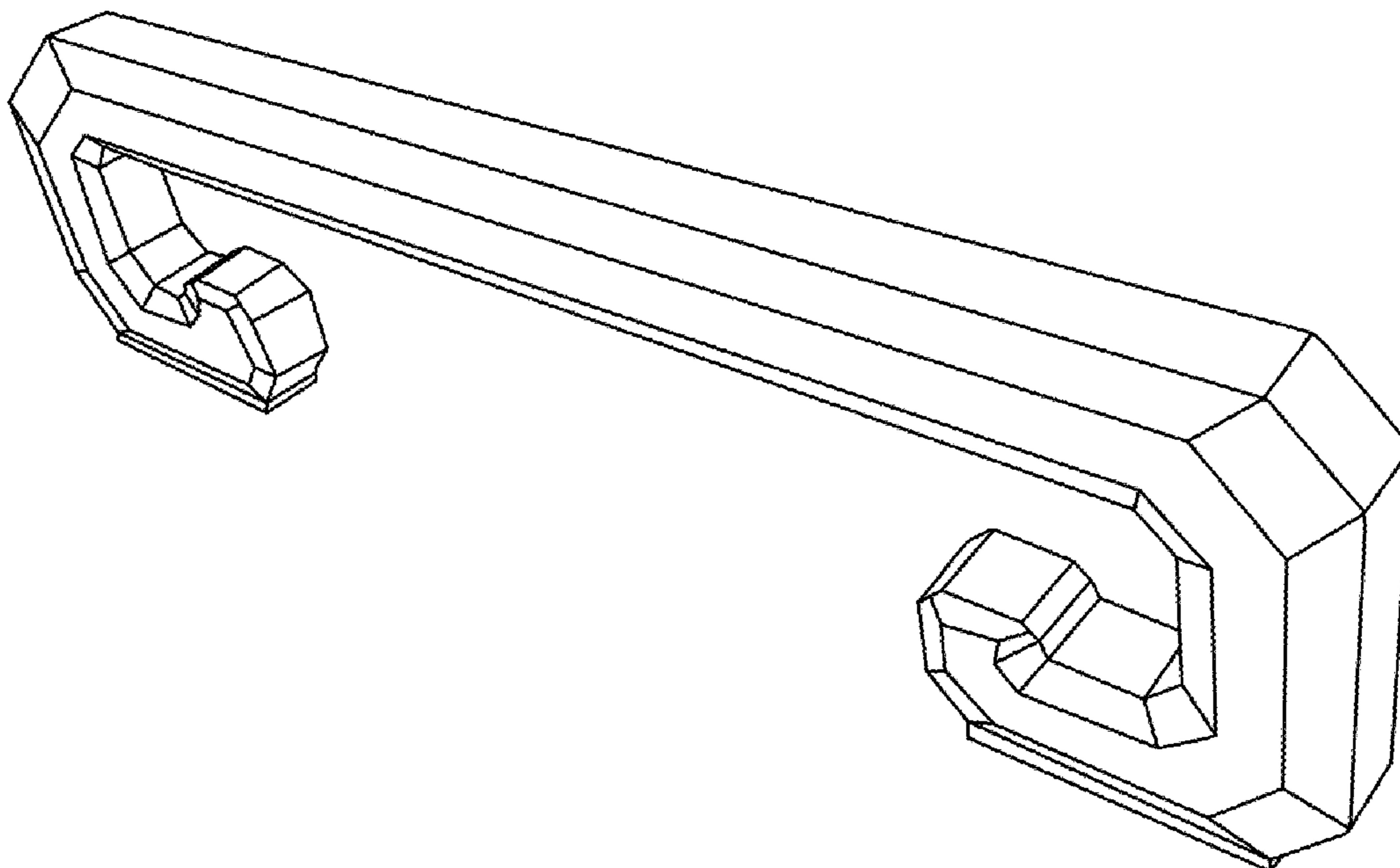
(57) **CLAIM**

I claim the ornamental design for a decorative handle, as shown and described.

DESCRIPTION

FIG. 1 is a perspective view of a decorative handle; FIG. 2 is a front view of the decorative handle of FIG. 1; FIG. 3 is a back view of the decorative handle of FIG. 1; FIG. 4 is a left view of the decorative handle of FIG. 1; FIG. 5 is a right view of the decorative handle of FIG. 1; FIG. 6 is a top view of the decorative handle of FIG. 1; and, FIG. 7 is a bottom view of the decorative handle of FIG. 1. All broken lines shown in the Figures illustrate portions of the decorative handle that form no part of the claimed design.

1 Claim, 2 Drawing Sheets



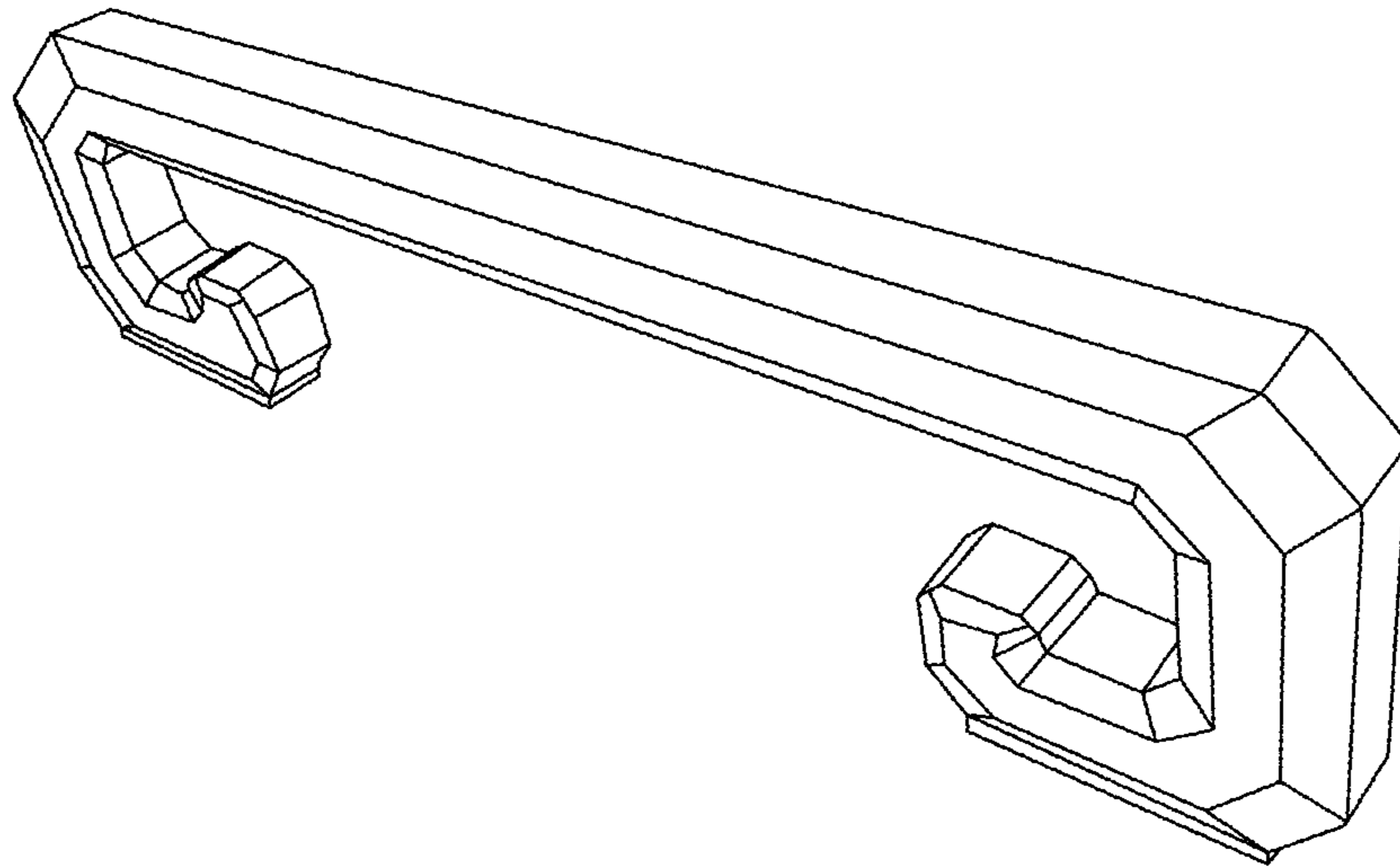


FIG. 1

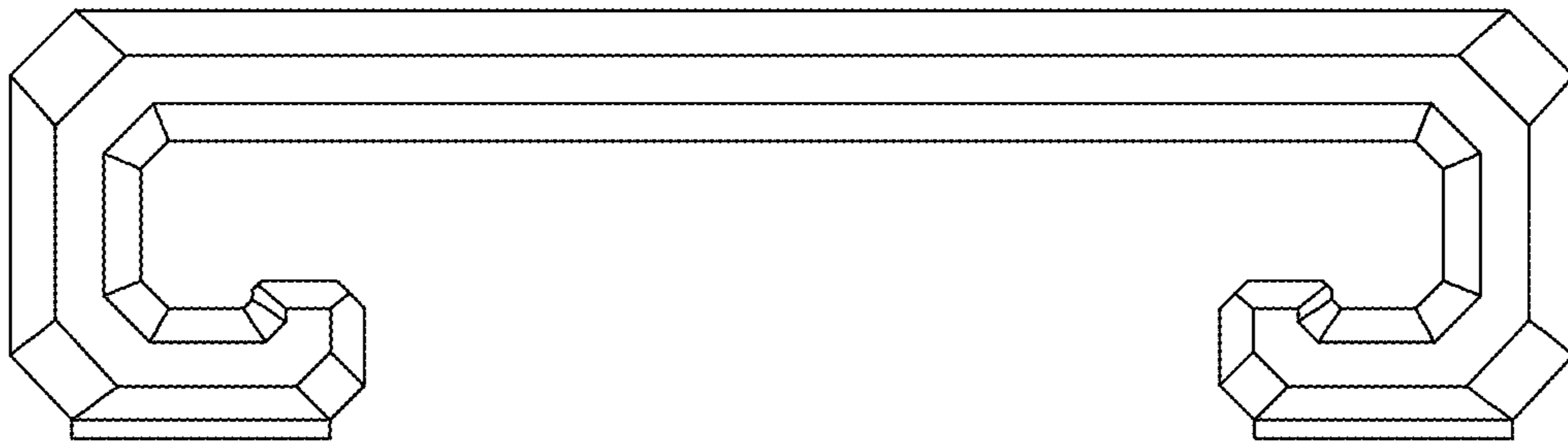


FIG. 2

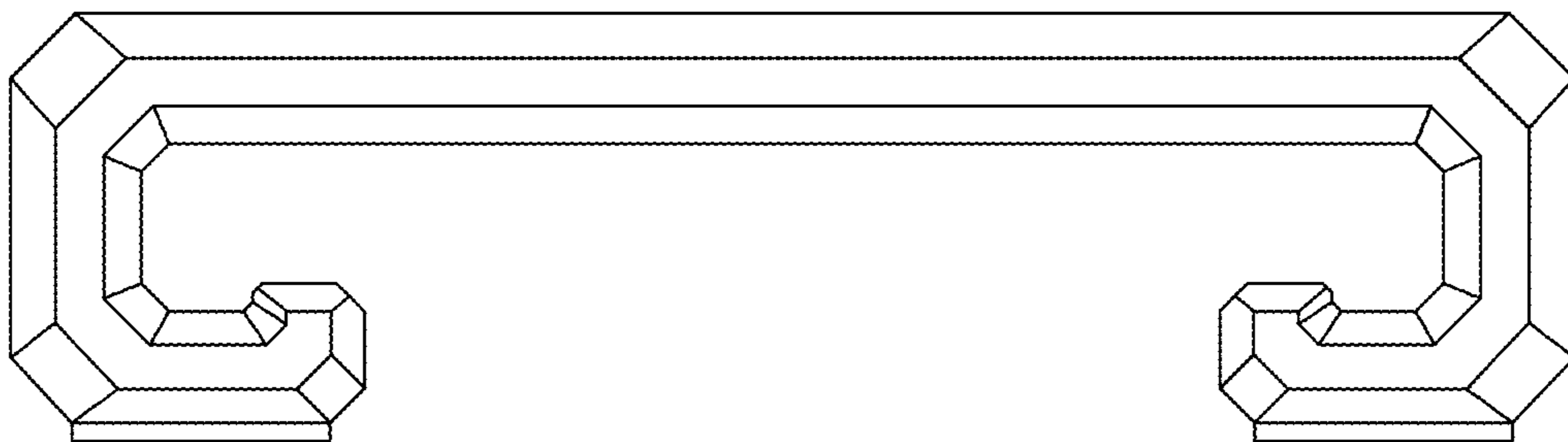


FIG. 3

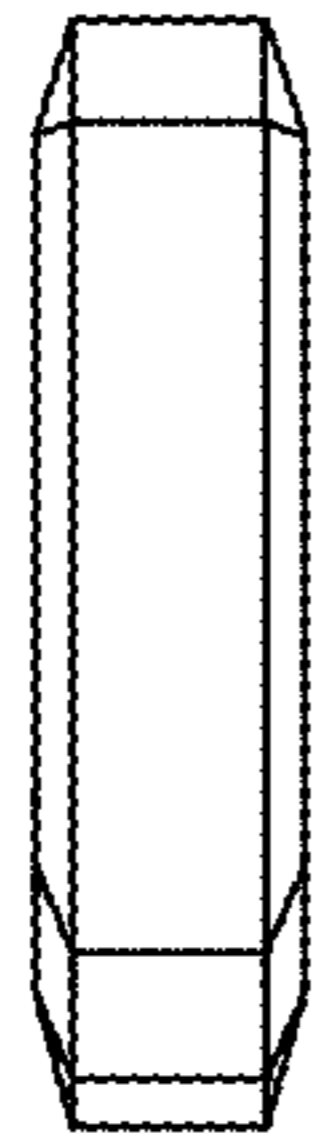


FIG. 4

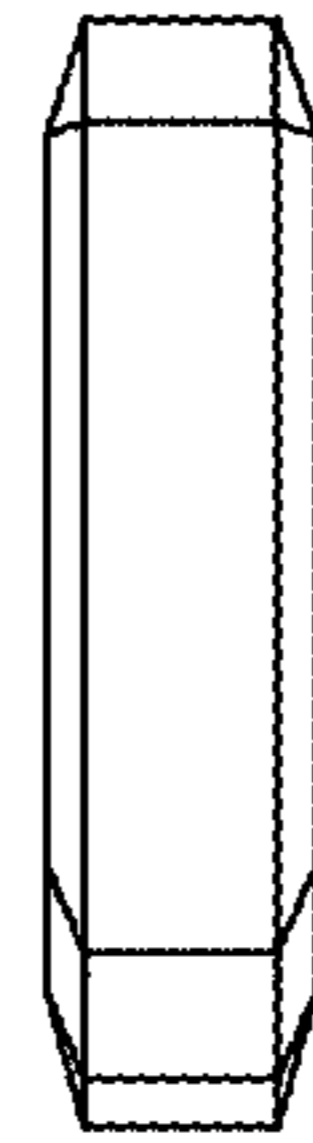


FIG. 5

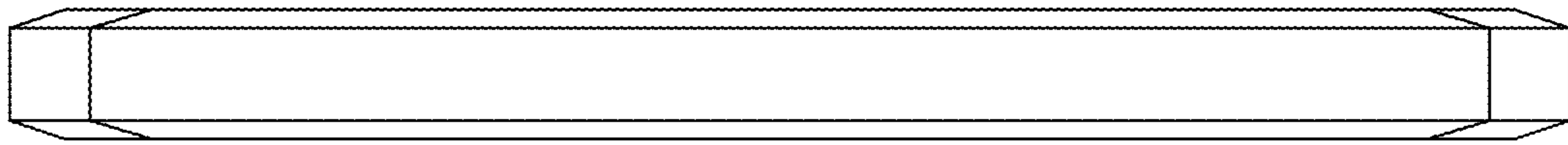


FIG. 6

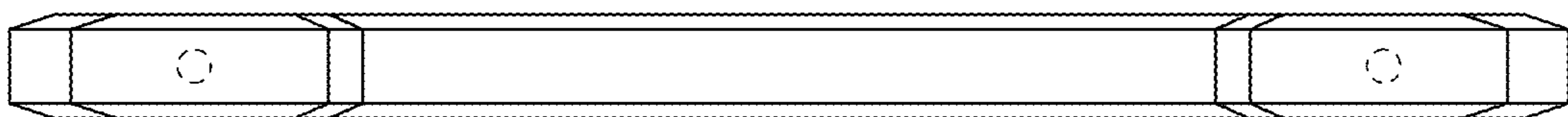


FIG. 7