



US00D959233S

(12) **United States Design Patent**  
**Bäckström**

(10) **Patent No.:** **US D959,233 S**

(45) **Date of Patent:** **\*\* Aug. 2, 2022**

(54) **HANDLE FOR FLUID AND GAS COUPLING**

(71) Applicant: **Mann Teknik AB**, Mariestad (SE)

(72) Inventor: **Marcus Bäckström**, Mariestad (SE)

(73) Assignee: **Mann Teknik AB**, Mariestad (SE)

(\*\*) Term: **15 Years**

(21) Appl. No.: **29/727,466**

(22) Filed: **Mar. 11, 2020**

(30) **Foreign Application Priority Data**

Sep. 12, 2019 (EM) ..... 006857884

(51) **LOC (13) Cl.** ..... **08-06**

(52) **U.S. Cl.**  
USPC ..... **D8/311; D23/253**

(58) **Field of Classification Search**  
USPC ..... D8/300, 307, 308, 309, 310, 311;  
D23/249, 250, 253, 262-265; D7/393,  
D7/394, 395

CPC ..... Y10T 74/2084; Y10T 137/8225; Y10T  
16/506; Y10T 16/46; Y10T 292/57; Y10T  
137/86863; Y10T 292/82; Y10T  
137/87627; Y10T 137/87804; Y10T  
16/459; Y10S 16/30; Y10S 292/12; F16K  
35/027; F16K 37/0008; F16K 31/602;  
F16K 35/025; F16K 31/60; F16K 35/10;  
F16K 31/605; F16L 37/38

See application file for complete search history.

(56) **References Cited**

**U.S. PATENT DOCUMENTS**

2,307,392 A \* 1/1943 Crane ..... F16K 31/60  
74/553  
D206,522 S \* 12/1966 Stephenson et al. .... D8/307

6,349,622 B1 \* 2/2002 Lemaire ..... B25B 13/48  
251/291  
D494,660 S \* 8/2004 Herring ..... D23/253  
D565,151 S \* 3/2008 Brown ..... D23/213  
D760,574 S \* 7/2016 Arthurs ..... D8/311  
9,772,047 B1 \* 9/2017 Meyer ..... F16K 35/06  
D856,777 S \* 8/2019 Castillo ..... D8/310  
2004/0103942 A1 \* 6/2004 Brown ..... F16K 35/10  
137/383  
2015/0114471 A1 \* 4/2015 Draper ..... F16K 3/02  
137/1  
2015/0226341 A1 \* 8/2015 Broome ..... F16K 31/60  
251/249.5  
2017/0067577 A1 \* 3/2017 Wetzstein ..... F16K 35/06  
2020/0333809 A1 \* 10/2020 Ollander ..... F16K 31/05  
2020/0408331 A1 \* 12/2020 Kopplin ..... F16K 31/60

\* cited by examiner

*Primary Examiner* — Lauren R Calve

(74) *Attorney, Agent, or Firm* — Nixon & Vanderhye P.C.

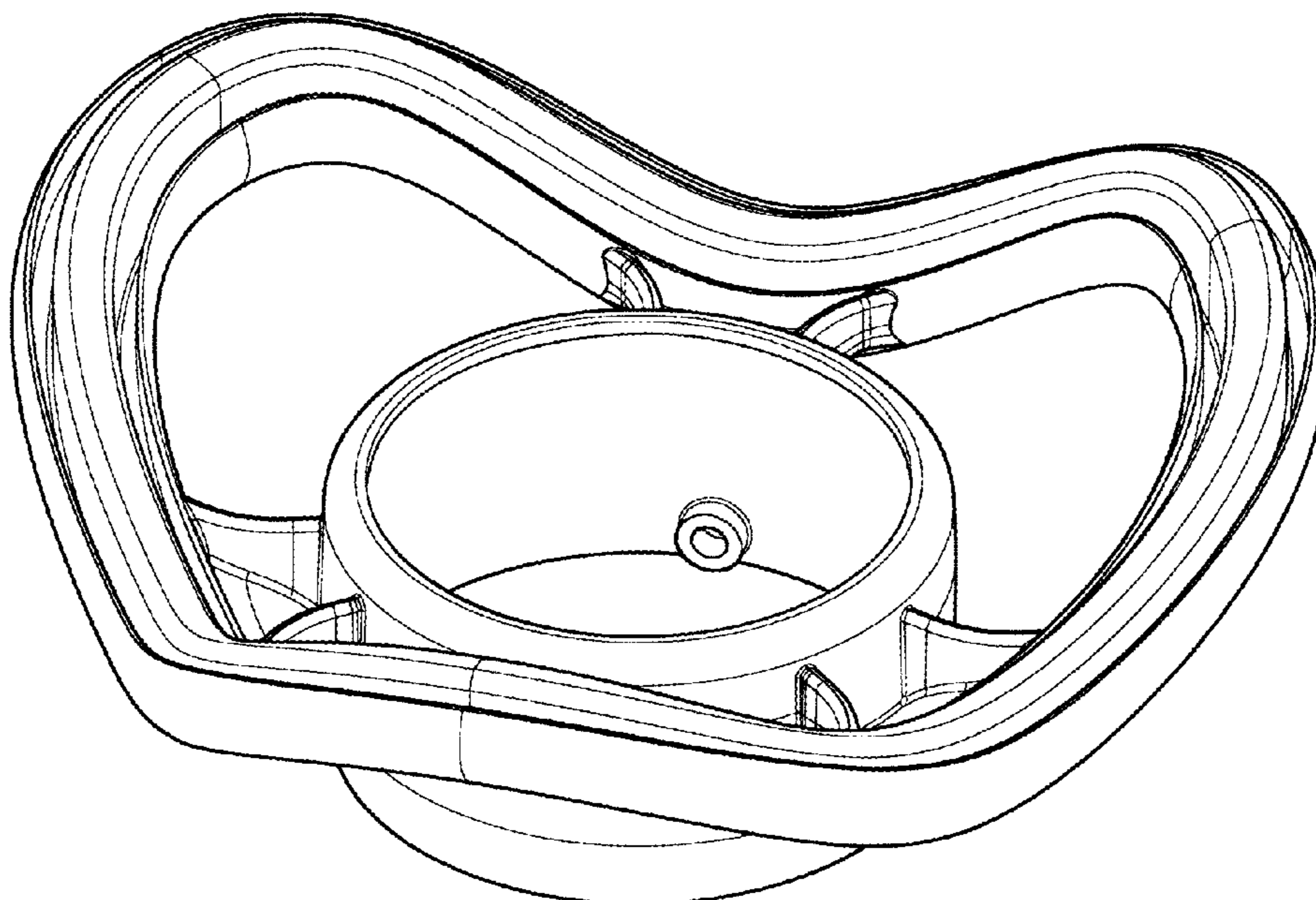
(57) **CLAIM**

The ornamental design for a handle for fluid and gas coupling, as shown and described.

**DESCRIPTION**

FIG. 1 is a perspective view of a handle for fluid and gas coupling according to the present design;  
FIG. 2 is a second perspective view thereof;  
FIG. 3 is a side view thereof, the opposite side being a mirror image;  
FIG. 4 is a front view thereof;  
FIG. 5 is a rear view thereof;  
FIG. 6 is a top view thereof; and,  
FIG. 7 is a bottom view thereof.

**1 Claim, 7 Drawing Sheets**



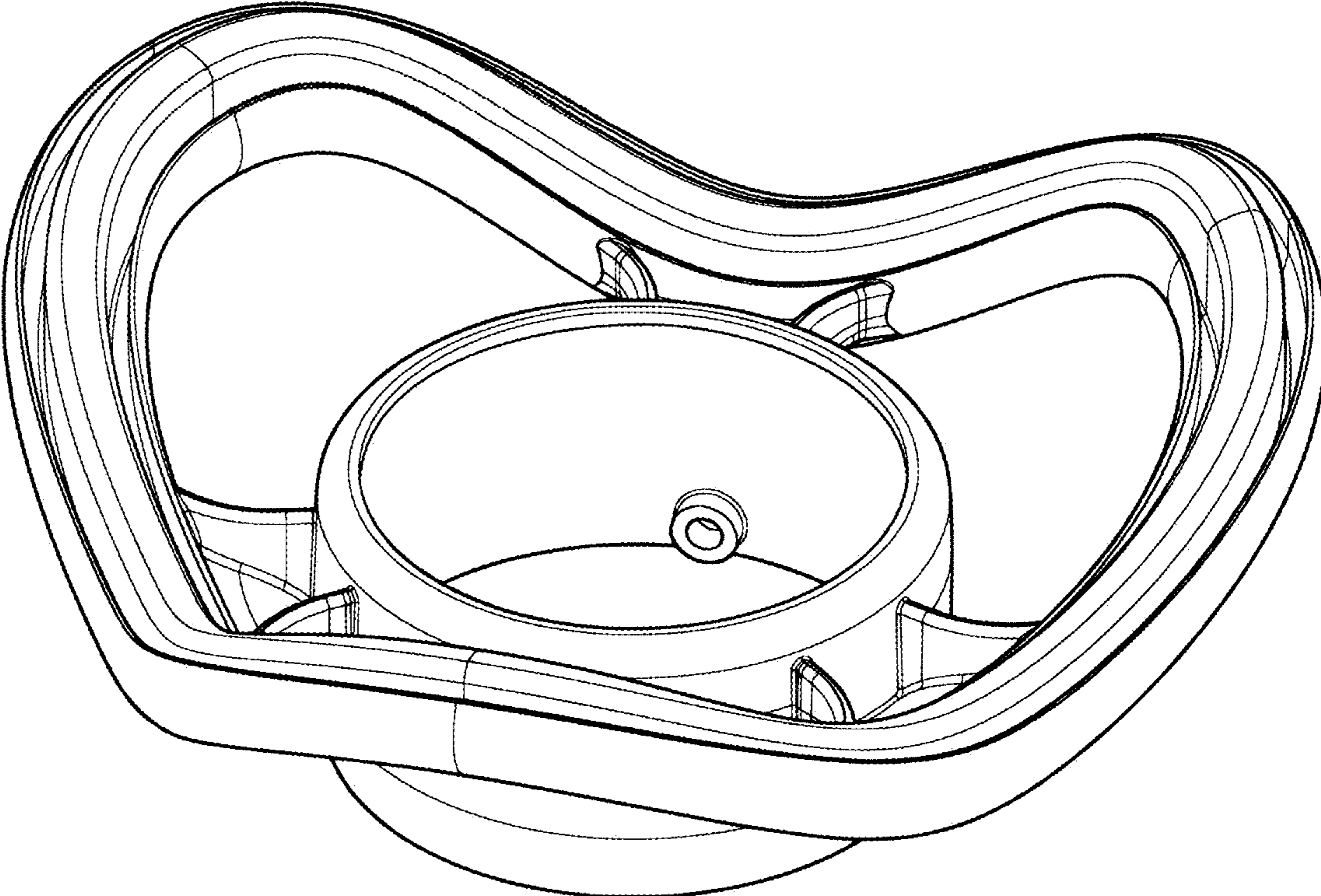


FIG. 1

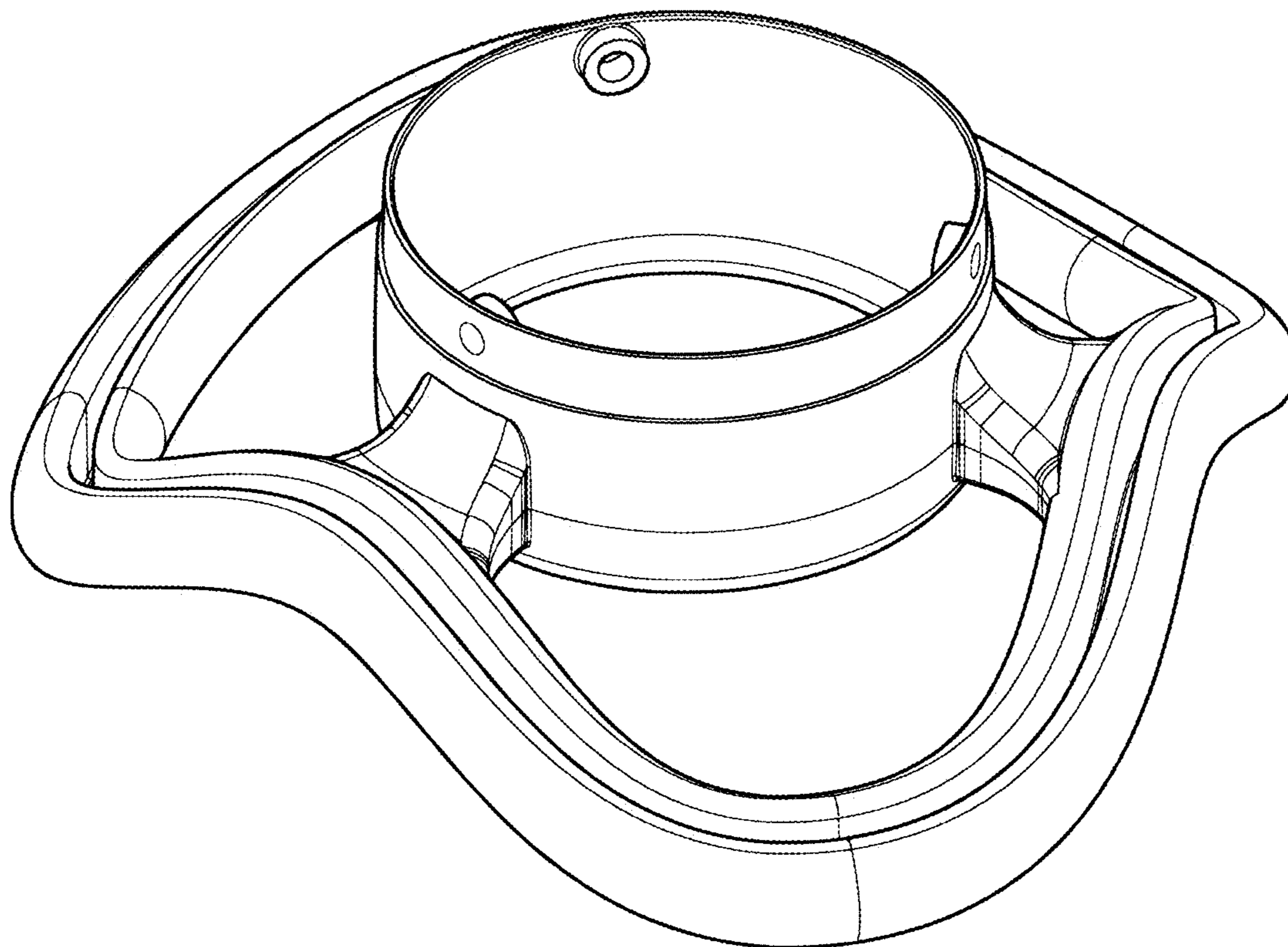


FIG. 2

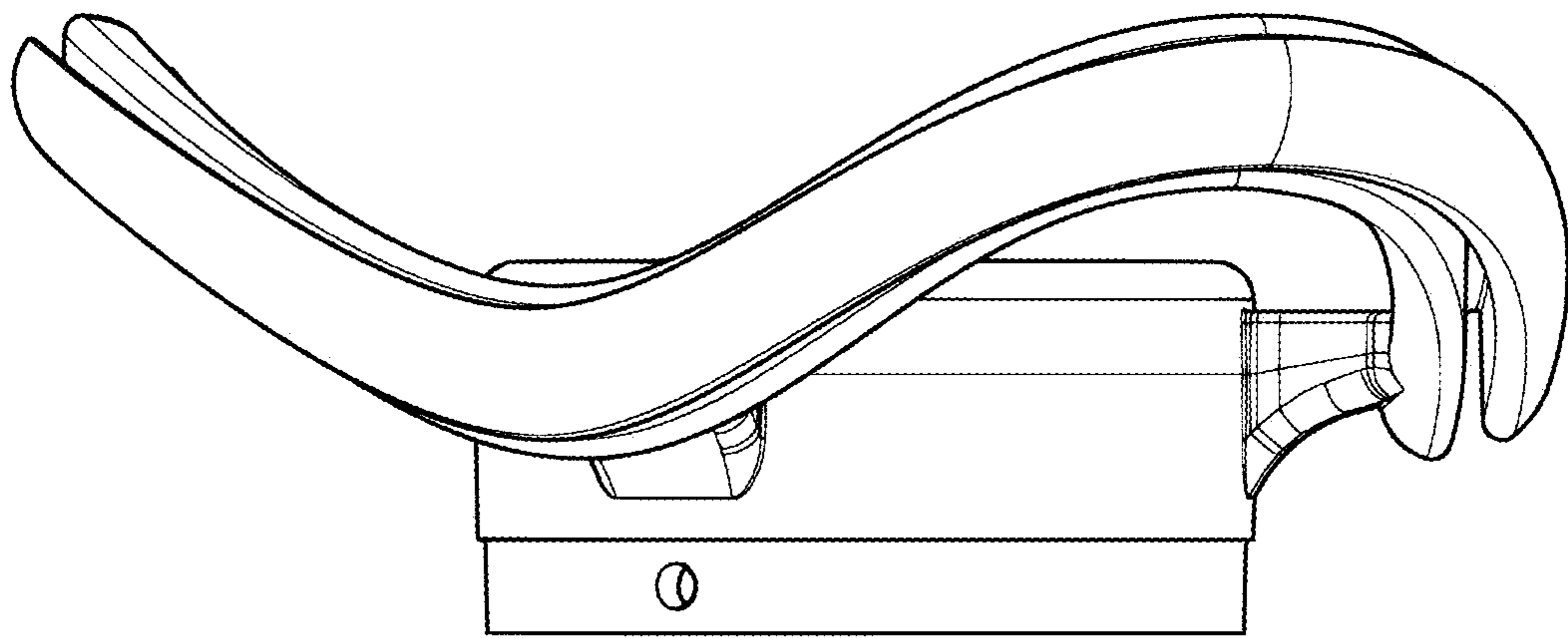


FIG. 3

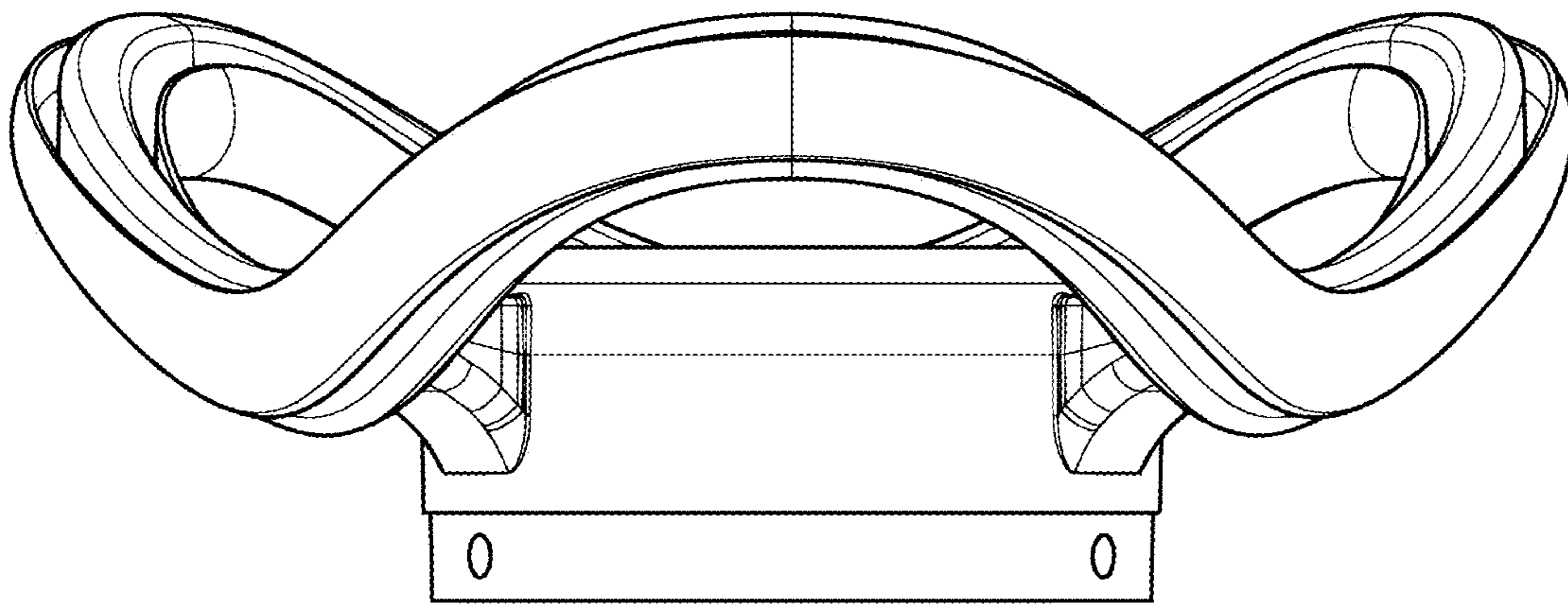


FIG. 4

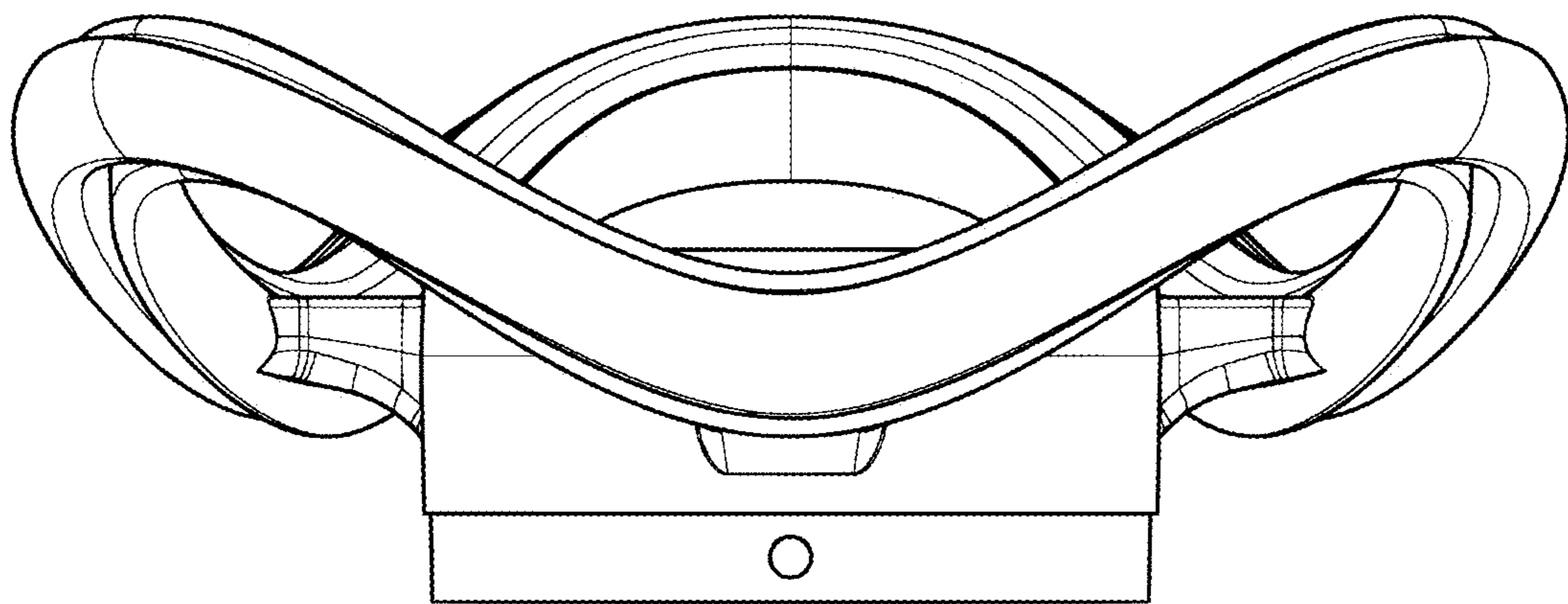


FIG. 5

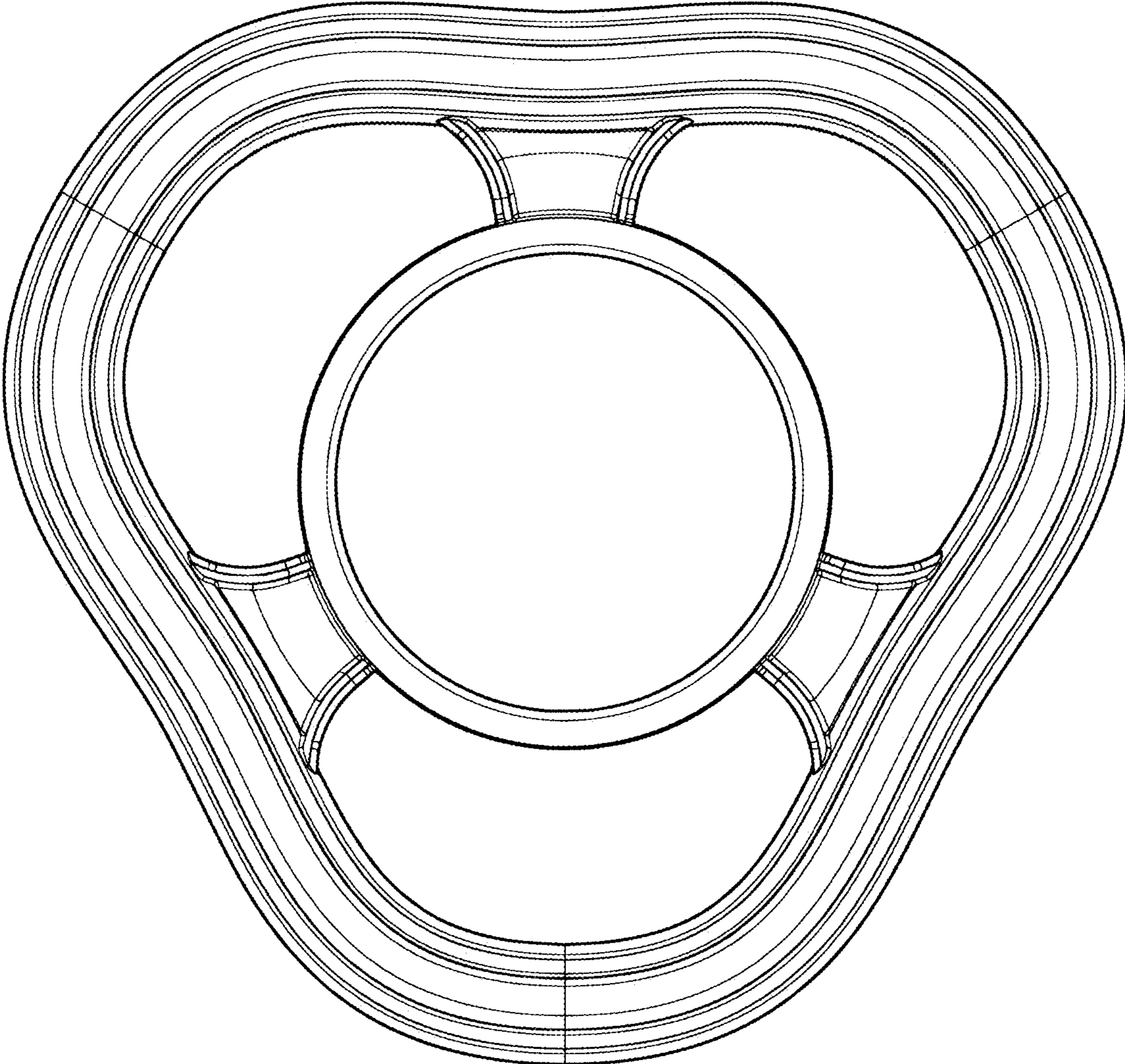


FIG. 6

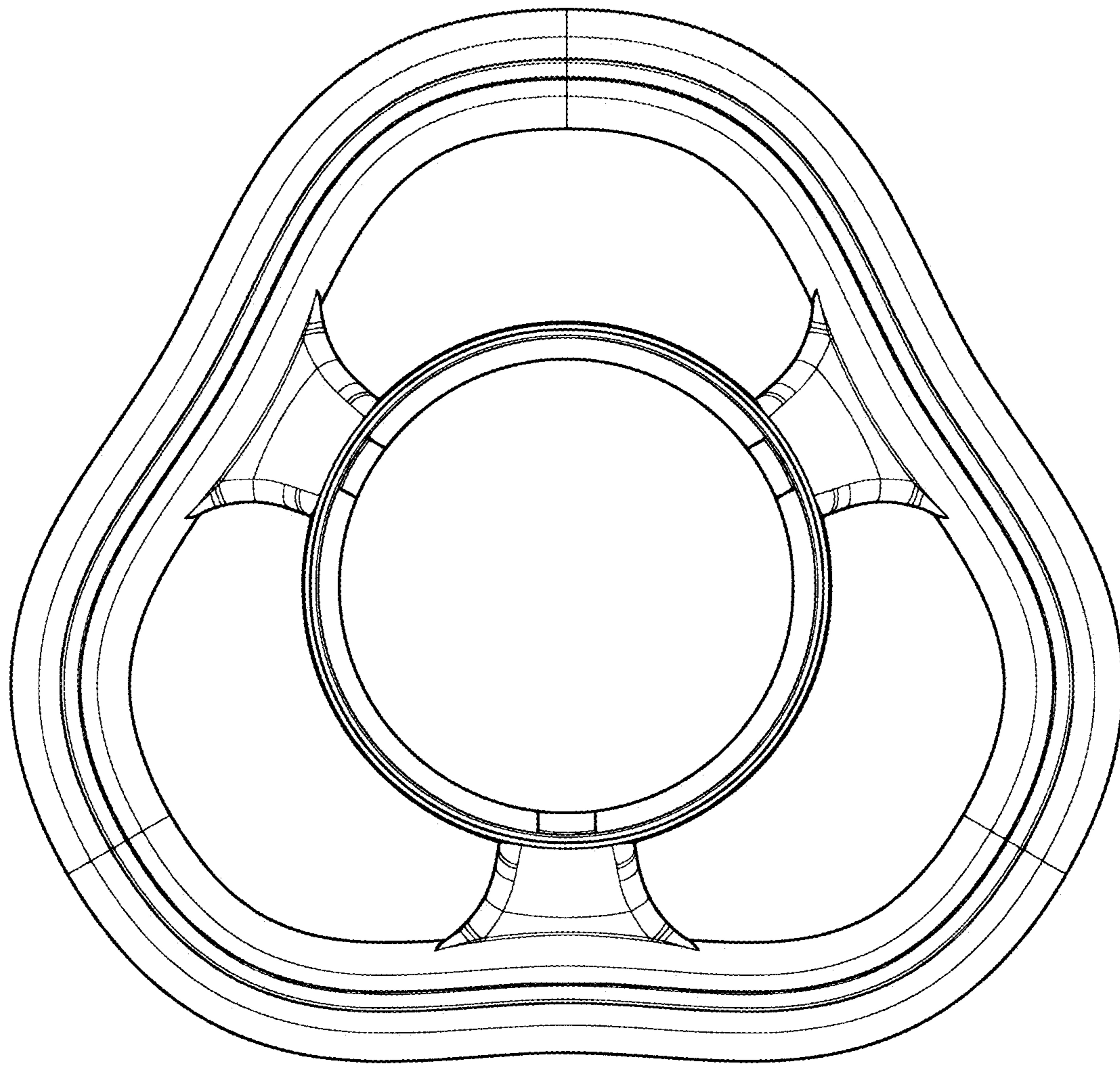


FIG. 7