



US00D959228S

(12) **United States Design Patent**
Chen

(10) **Patent No.:** **US D959,228 S**

(45) **Date of Patent:** **** Aug. 2, 2022**

(54) **MULTIFUNCTION KNIFE SHARPENER**

(71) Applicant: **ZhongBo Chen**, Guangdong (CN)

(72) Inventor: **ZhongBo Chen**, Guangdong (CN)

(**) Term: **15 Years**

(21) Appl. No.: **29/765,102**

(22) Filed: **Jan. 6, 2021**

(51) **LOC (13) Cl.** **08-05**

(52) **U.S. Cl.**
USPC **D8/93**

(58) **Field of Classification Search**
USPC D8/63, 90, 91, 92, 93
CPC B24B 3/54; B24B 3/36; B24B 3/58; B24B
3/00; B24B 23/08; B24D 15/00; B24D
15/06; B24D 15/063; B24D 15/08; B24D
15/081

See application file for complete search history.

(56) **References Cited**

U.S. PATENT DOCUMENTS

D375,442 S *	11/1996	Hughes	D8/16
D578,581 S *	10/2008	Smith	D21/667
8,221,199 B2 *	7/2012	Smith	B24D 15/081 451/461
D723,898 S *	3/2015	Smith	D8/93
D731,278 S *	6/2015	Cavanaugh	D8/93
D744,803 S *	12/2015	Johnson	D8/93
D744,804 S *	12/2015	Johnson	D8/93
D746,656 S *	1/2016	Smith	D8/93
D754,514 S *	4/2016	Huber	D8/93

D772,674 S *	11/2016	Johnson	D8/91
D816,455 S *	5/2018	Fire	D8/91
D860,752 S *	9/2019	Bloch	D8/93
D863,921 S *	10/2019	Chalfant	D8/93
D863,922 S *	10/2019	Chalfant	D8/93
D863,923 S *	10/2019	Chalfant	D8/93
D888,527 S *	6/2020	Cavanaugh, Jr.	D8/93
D929,843 S *	9/2021	Zachariasen	D8/93
2008/0171504 A1 *	7/2008	Smith	B24D 15/081 451/540
2014/0127984 A1 *	5/2014	Smith	F21V 33/0084 451/461
2015/0283678 A1 *	10/2015	Hangen	B24D 15/08 451/552

* cited by examiner

Primary Examiner — Philip S Hyder

(57) **CLAIM**

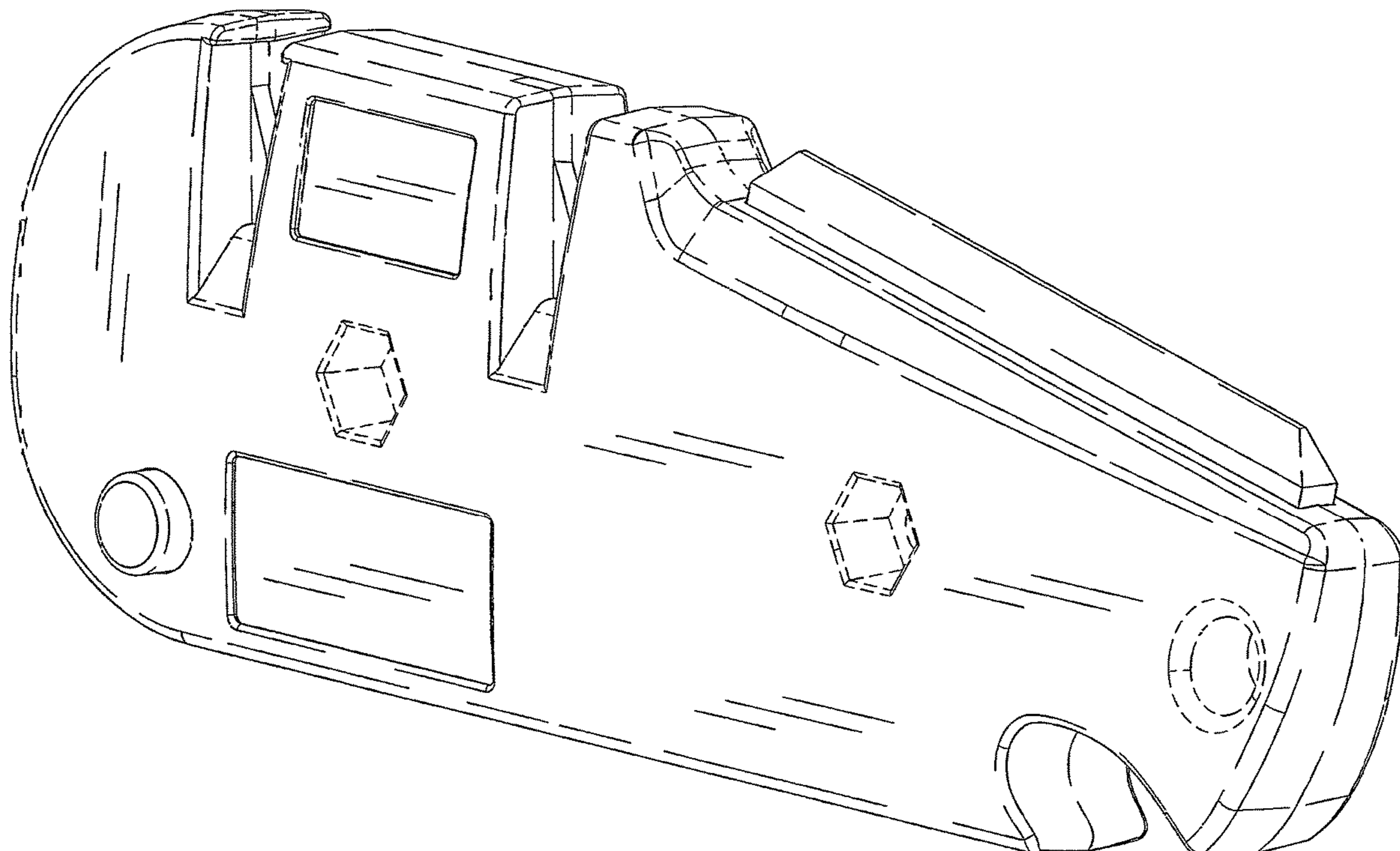
The ornamental design for a multifunction knife sharpener, as shown and described.

DESCRIPTION

FIG. 1 is a top, rear, left side perspective view of a multifunction knife sharpener showing my new design; FIG. 2 is a bottom, front, right side perspective view thereof; FIG. 3 is an enlarged front elevation view thereof; FIG. 4 is an enlarged rear elevation view thereof; FIG. 5 is a left side elevation view thereof; FIG. 6 is a right side elevation view thereof; FIG. 7 is a top plan view thereof; and, FIG. 8 is a bottom plan view thereof.

The broken lines in the drawings illustrate portions of the multifunction knife sharpener that form no part of the claimed design.

1 Claim, 6 Drawing Sheets



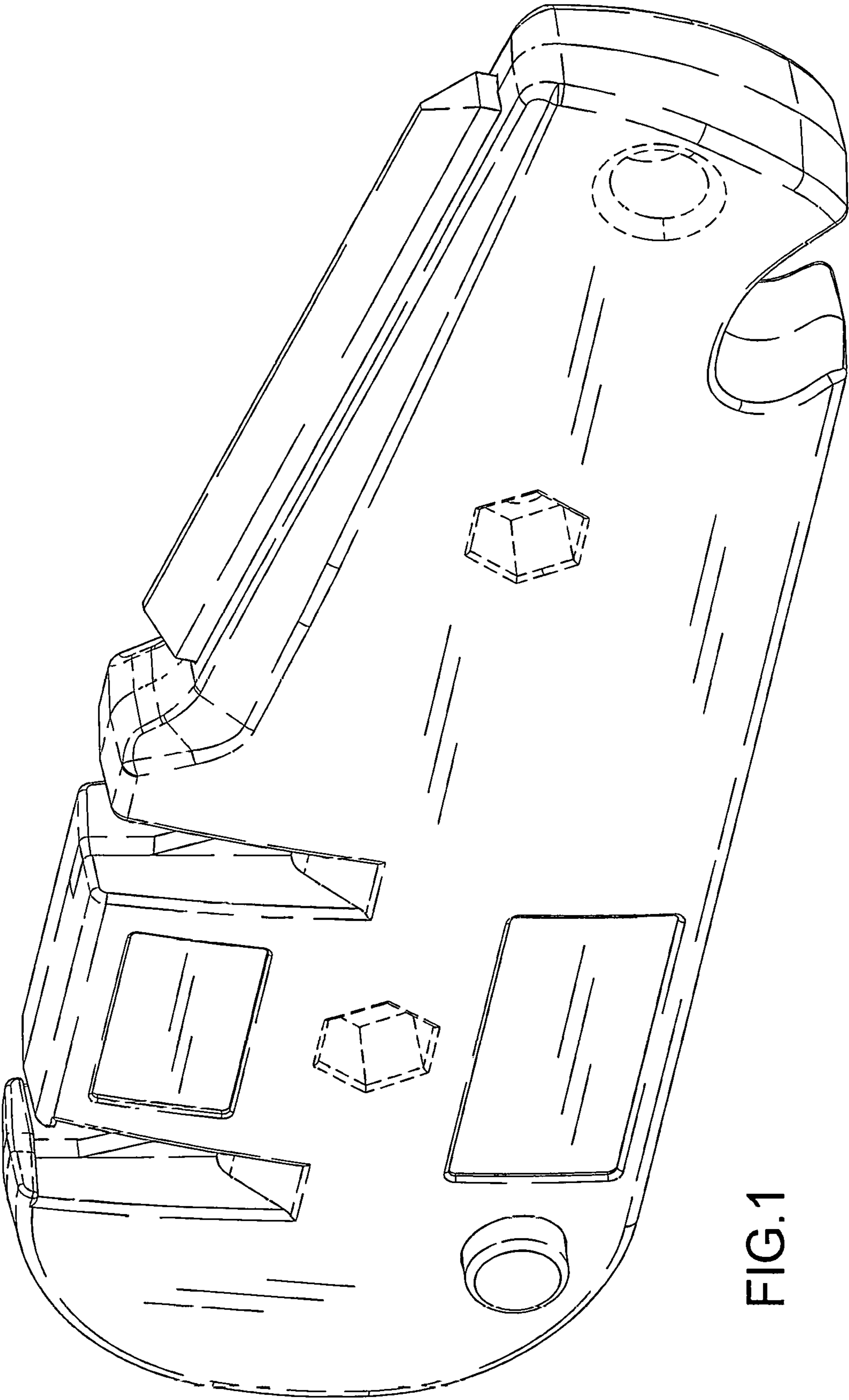


FIG.1

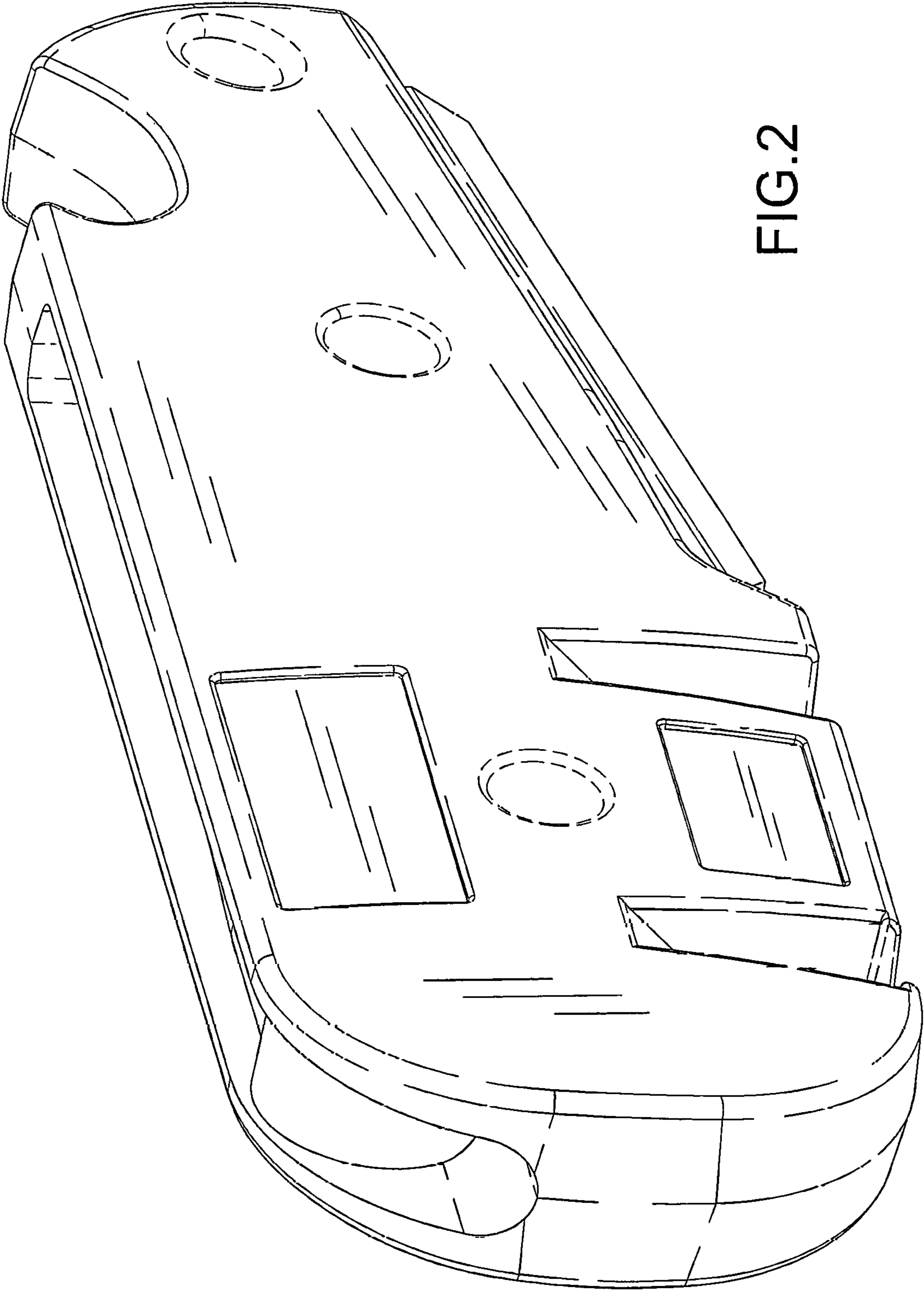


FIG. 2

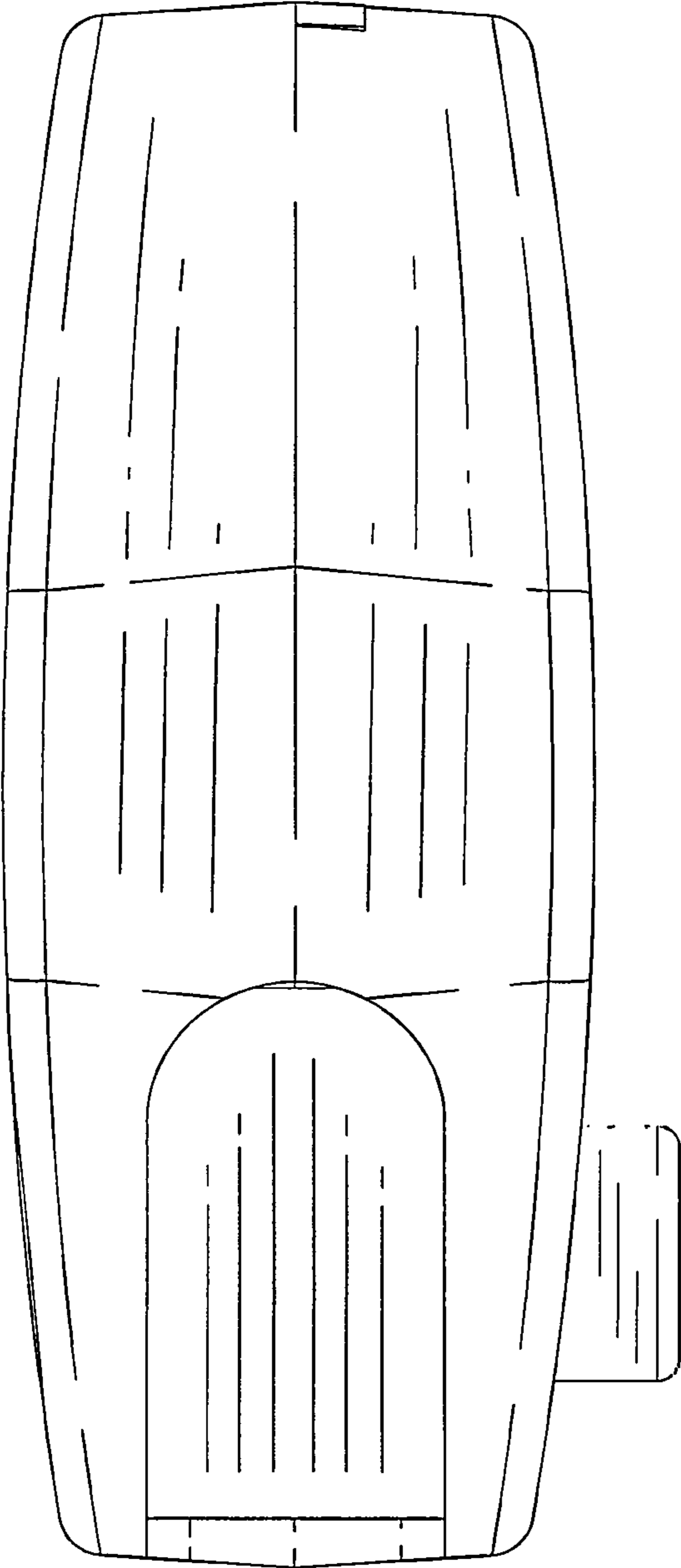


FIG.3

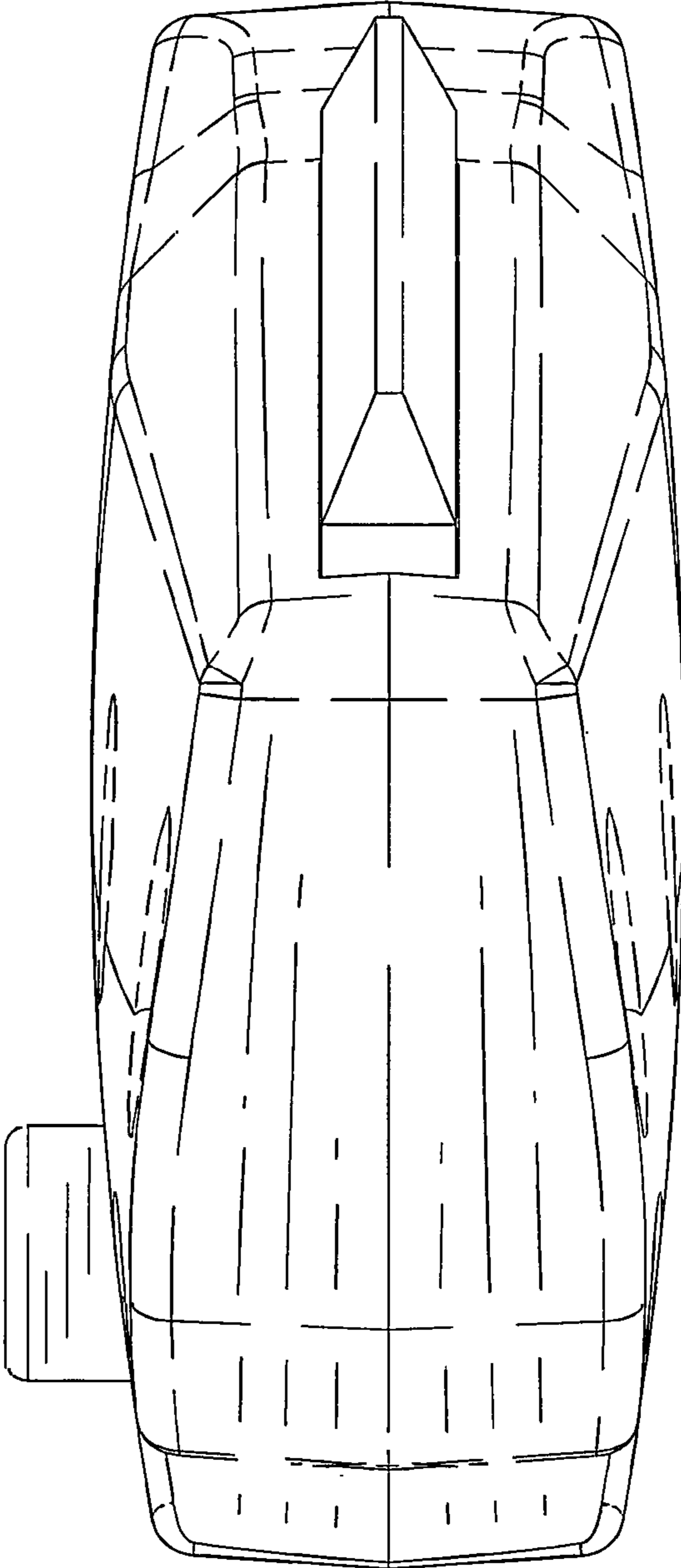


FIG.4

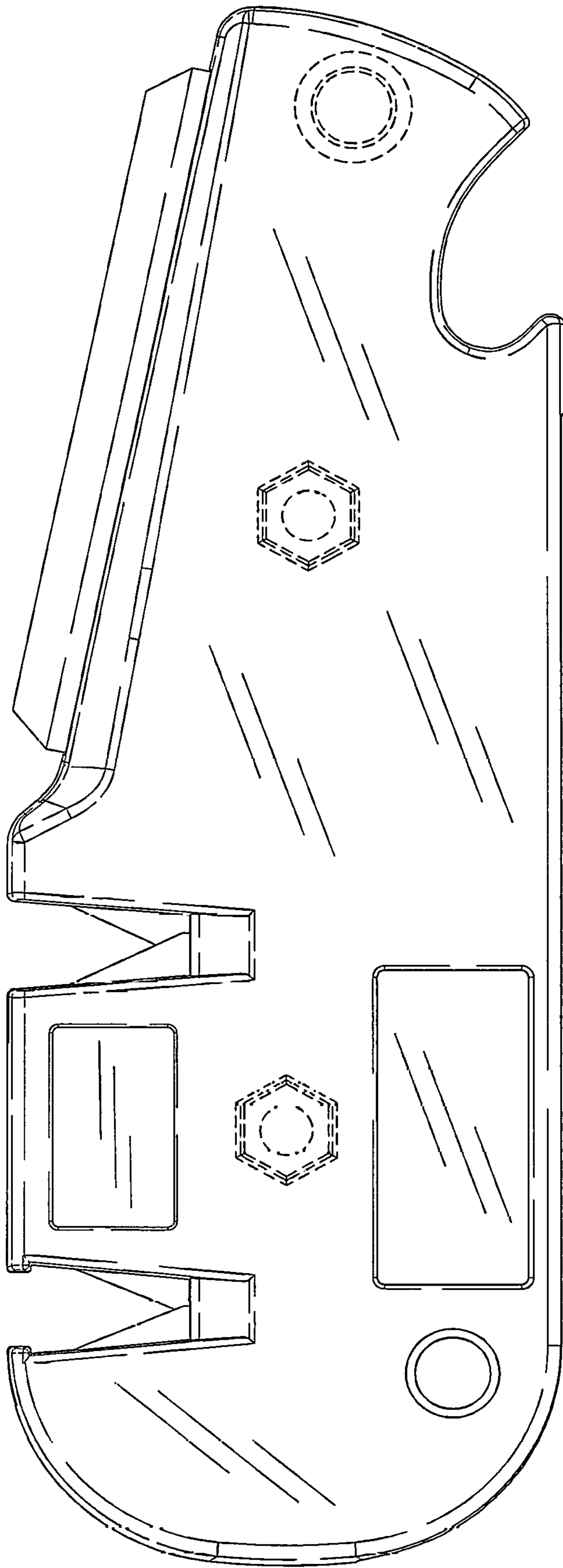


FIG.5

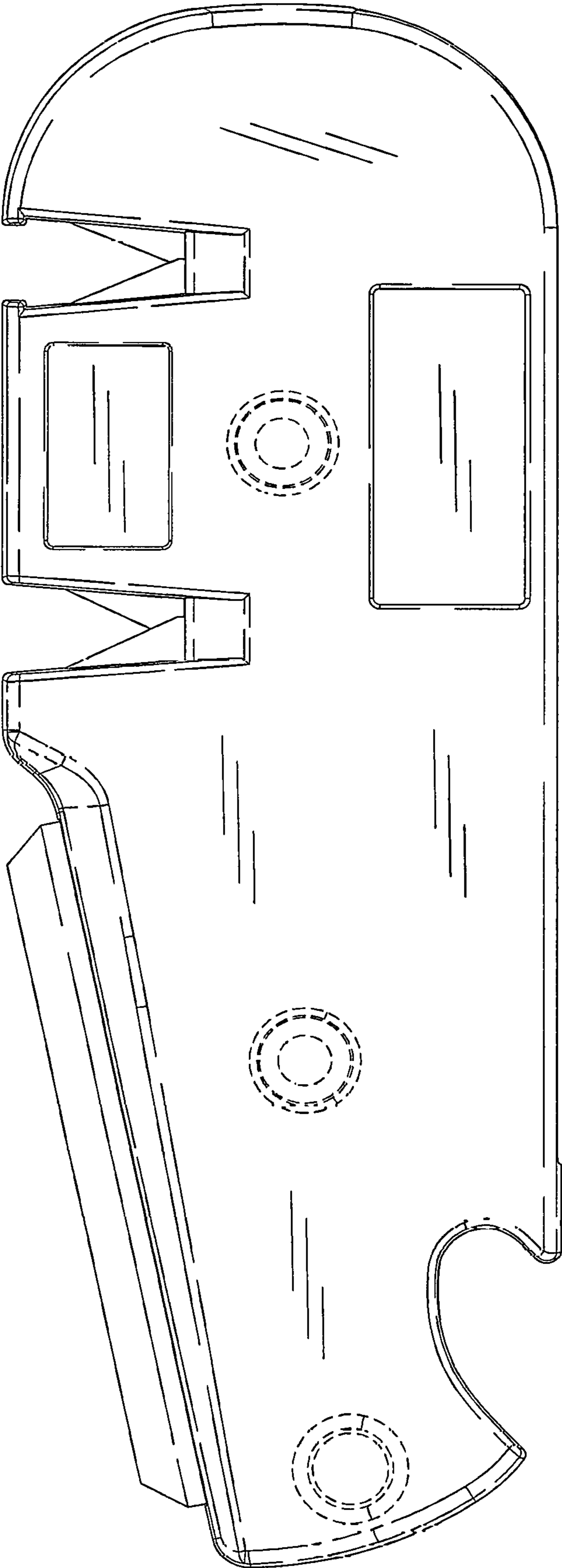


FIG.6

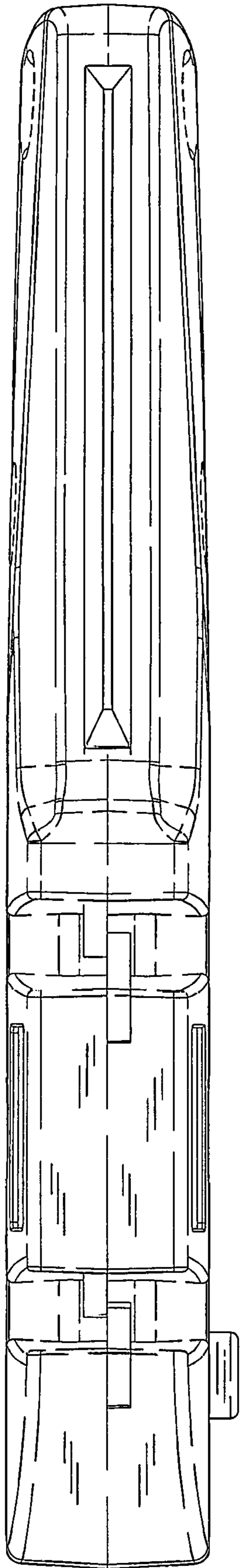


FIG. 7

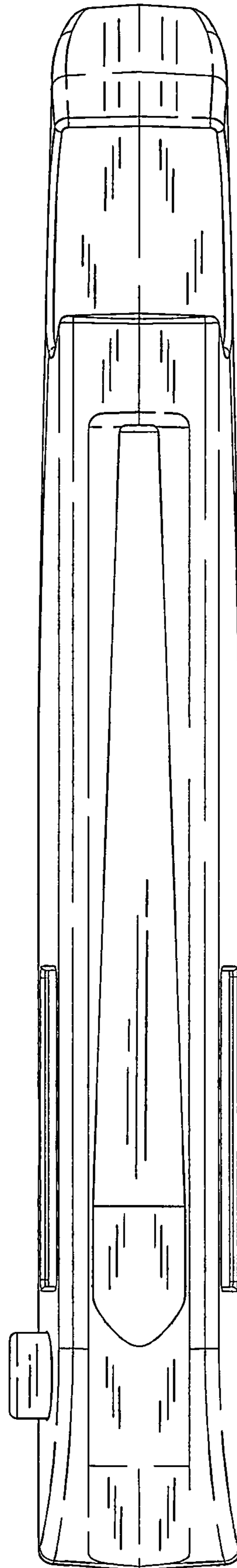


FIG. 8