



US00D959227S

(12) **United States Design Patent** (10) **Patent No.:** **US D959,227 S**  
**Bandis et al.** (45) **Date of Patent:** **\*\* Aug. 2, 2022**

(54) **TOOL HOLDER ASSEMBLY**  
(71) Applicant: **Cricut, inc.**, South Jordan, UT (US)  
(72) Inventors: **Steven Bandis**, West Jordan, UT (US);  
**Jeremy Burton Crystal**, Springville,  
UT (US)  
(73) Assignee: **Cricut, Inc.**, South Jordan, UT (US)

6,880,249 B2 4/2005 Long et al.  
D511,003 S \* 10/2005 Sliwa, Jr. .... D24/147  
D514,420 S \* 2/2006 Xu ..... D8/107  
7,240,845 B2 7/2007 Komine et al.  
D565,917 S \* 4/2008 Peterson ..... D8/98  
D592,482 S \* 5/2009 Gregory ..... D8/107  
D618,715 S \* 6/2010 Corcoran ..... D15/140  
D635,429 S \* 4/2011 Hakki ..... D8/70  
(Continued)

(\*\*) Term: **15 Years**

(21) Appl. No.: **29/771,267**

(22) Filed: **Feb. 22, 2021**

**Related U.S. Application Data**

(60) Division of application No. 29/689,742, filed on May 1, 2019, which is a continuation of application No. PCT/US2018/044371, filed on Jul. 30, 2018.

(51) **LOC (13) Cl.** ..... **08-05**

(52) **U.S. Cl.**  
USPC ..... **D8/71; D15/138**

(58) **Field of Classification Search**  
USPC ..... D15/138, 140; D8/71, 14, 107, 98, 47  
CPC ..... B25B 23/0028; B25F 1/04; B23B  
2231/2027; B23C 2250/04; B23C 5/26  
See application file for complete search history.

(56) **References Cited**

**U.S. PATENT DOCUMENTS**

4,019,822 A \* 4/1977 Matsumoto ..... B43K 19/00  
401/96  
D278,245 S \* 4/1985 Smith ..... D15/140  
D278,344 S \* 4/1985 Smith ..... D15/140  
D344,005 S \* 2/1994 Arai ..... D8/98  
D383,962 S \* 9/1997 Daley ..... D19/163  
D392,537 S \* 3/1998 Schulz ..... D8/51  
6,216,348 B1 \* 4/2001 Martirosian ..... B26B 1/10  
30/329  
D484,977 S \* 1/2004 Ryan ..... D24/133

**OTHER PUBLICATIONS**

Cricut Maker NEW Tools, Date Published: Jul. 8, 2019, Youtube, Date Visited: Nov. 30, 2020, <https://www.youtube.com/watch?v=nKcn9KHcdDI> (Year: 2019).\*

(Continued)

*Primary Examiner* — Susan Bennett Hattan  
*Assistant Examiner* — Elizabeth S Ko  
(74) *Attorney, Agent, or Firm* — Honigman LLP

(57) **CLAIM**

The ornamental design for a tool holder assembly, as shown and described.

**DESCRIPTION**

FIG. 1 is a front, right, top isometric view of the claimed design.

FIG. 2 is a front, right, bottom isometric view thereof.

FIG. 3 is a front elevational view thereof.

FIG. 4 is a rear elevational view thereof.

FIG. 5 is a left side elevational view thereof.

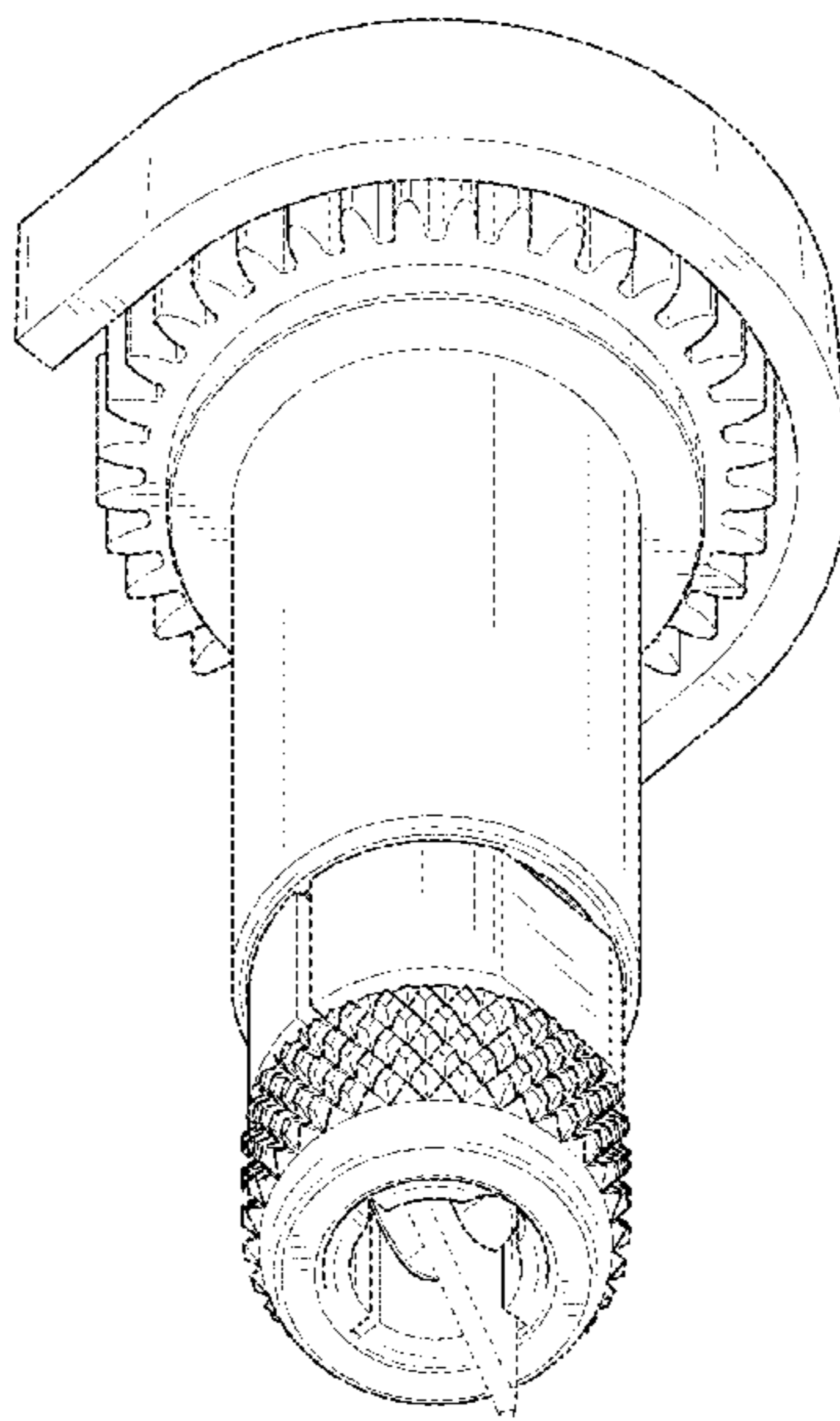
FIG. 6 is a right side elevational view thereof.

FIG. 7 is a top view thereof; and,

FIG. 8 is a bottom view thereof.

Broken lines in the drawing views form no part of the claimed design. The shade lines in the drawing views show contour and not surface ornamentation of the claimed design.

**1 Claim, 7 Drawing Sheets**



(56)

References Cited

U.S. PATENT DOCUMENTS

8,021,085 B1 \* 9/2011 Nelson ..... B23C 5/10  
407/54  
D669,988 S \* 10/2012 Packard ..... D24/147  
D697,769 S \* 1/2014 Lion ..... D7/694  
9,079,286 B1 \* 7/2015 DeCamillis ..... B24B 23/02  
D741,134 S \* 10/2015 Massey ..... D8/70  
D877,214 S \* 3/2020 Crisp ..... D15/127  
D887,246 S \* 6/2020 Chang ..... D8/107  
D902,998 S \* 11/2020 Wolter ..... D19/202  
D902,999 S \* 11/2020 Wolter ..... D19/202  
2002/0069736 A1 6/2002 Yasoda et al.  
2003/0059263 A1 \* 3/2003 Chen ..... B23C 5/10  
407/54  
2004/0242794 A1 \* 12/2004 Kanazawa ..... D06M 14/26  
525/327.3  
2006/0029479 A1 \* 2/2006 Stoll ..... B23B 31/1179  
409/136  
2006/0090345 A1 \* 5/2006 Stravitz ..... B26B 29/02  
30/50

2007/0012152 A1 1/2007 Workman et al.  
2008/0282551 A1 \* 11/2008 Stravitz ..... B26B 29/02  
30/265  
2009/0295104 A1 \* 12/2009 Cover ..... B44B 11/02  
279/83  
2011/0280999 A1 11/2011 Crystal et al.  
2014/0150619 A1 6/2014 Fujihara  
2015/0258699 A1 \* 9/2015 Vander Woude ..... B26D 5/34  
83/13  
2016/0167188 A1 \* 6/2016 Davis ..... B24B 3/247  
451/48  
2016/0303892 A1 10/2016 Killian et al.  
2017/0259450 A1 \* 9/2017 Oka ..... B65H 35/0086  
2019/0061025 A1 \* 2/2019 Trecapelli ..... B23C 5/26

OTHER PUBLICATIONS

Cricut 2007441 Knife Blade, Date Visited: Nov. 20, 2021, Amazon, Date Available: Jun. 15, 2020, <https://www.amazon.co.uk/Cricut-Knife-Blade-Drive-Housing/dp/B08B72SHTP> (Year: 2020).\*

\* cited by examiner

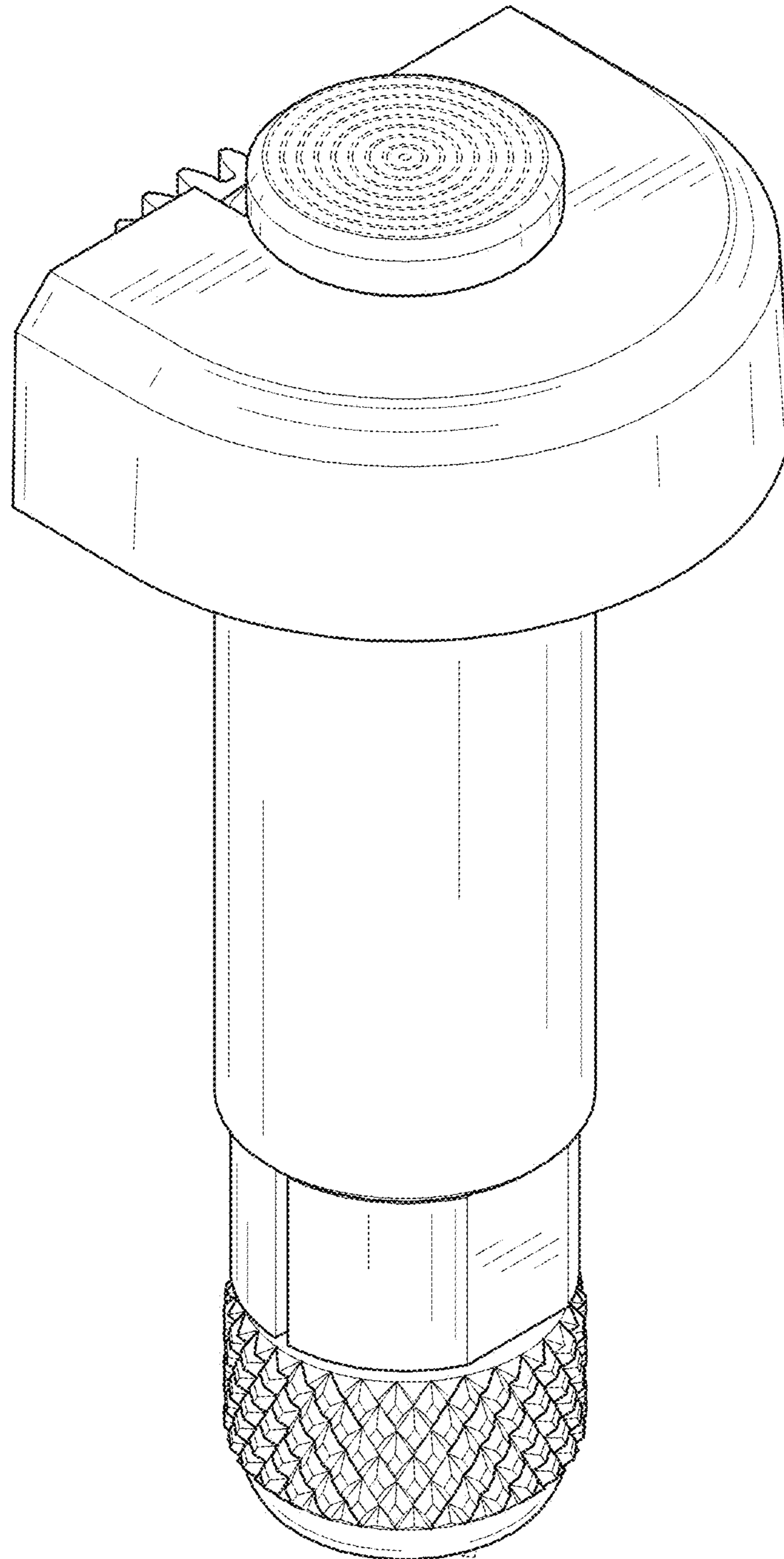


FIG. 1

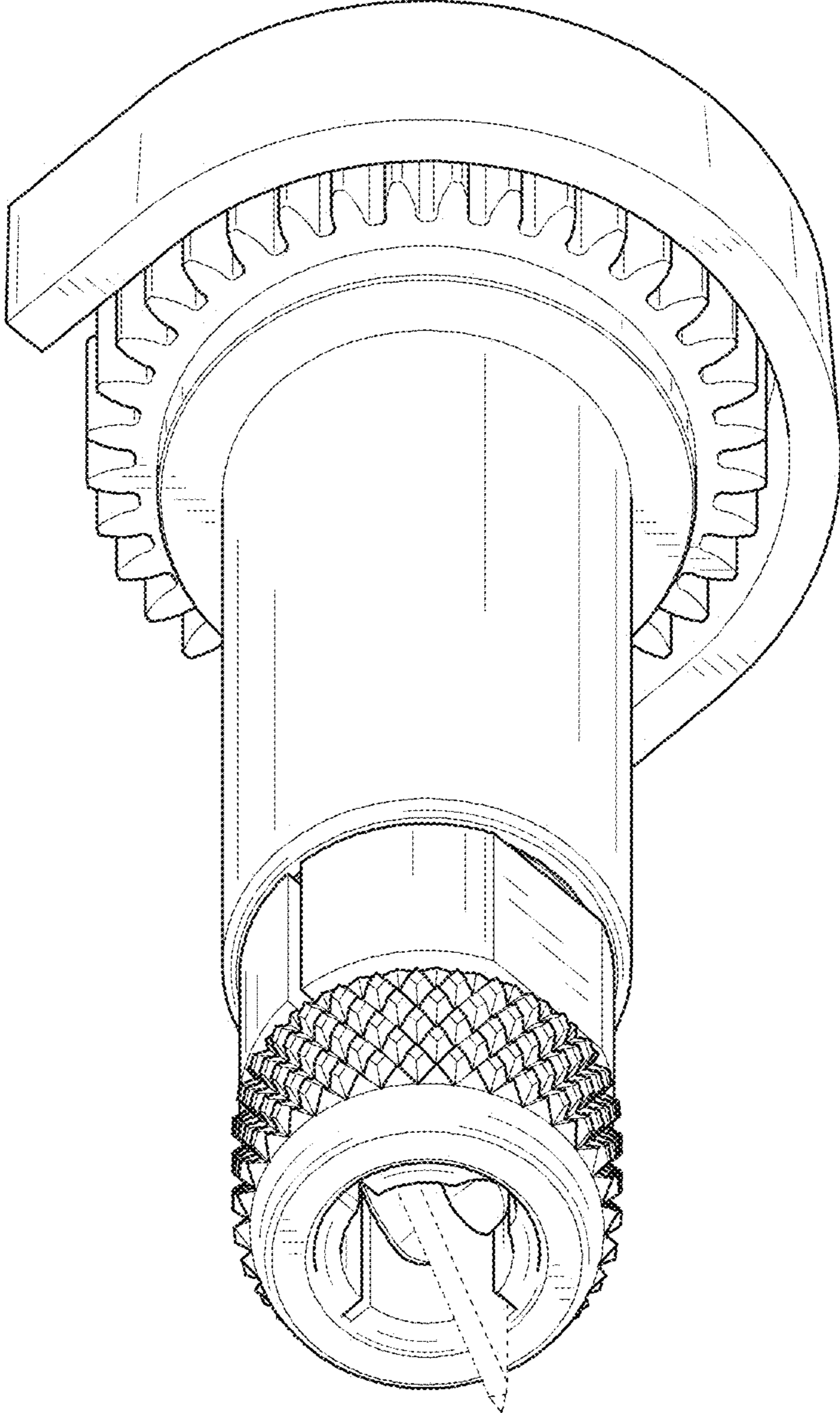


FIG. 2



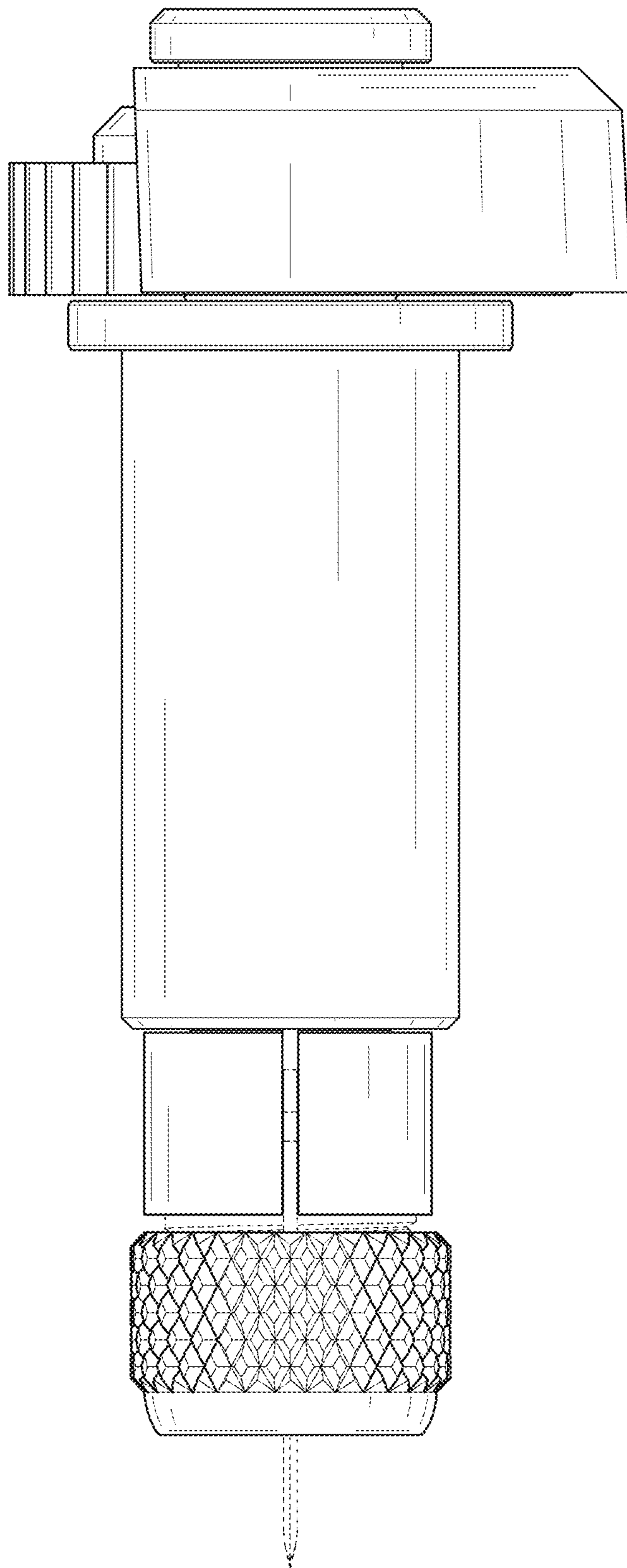


FIG. 3

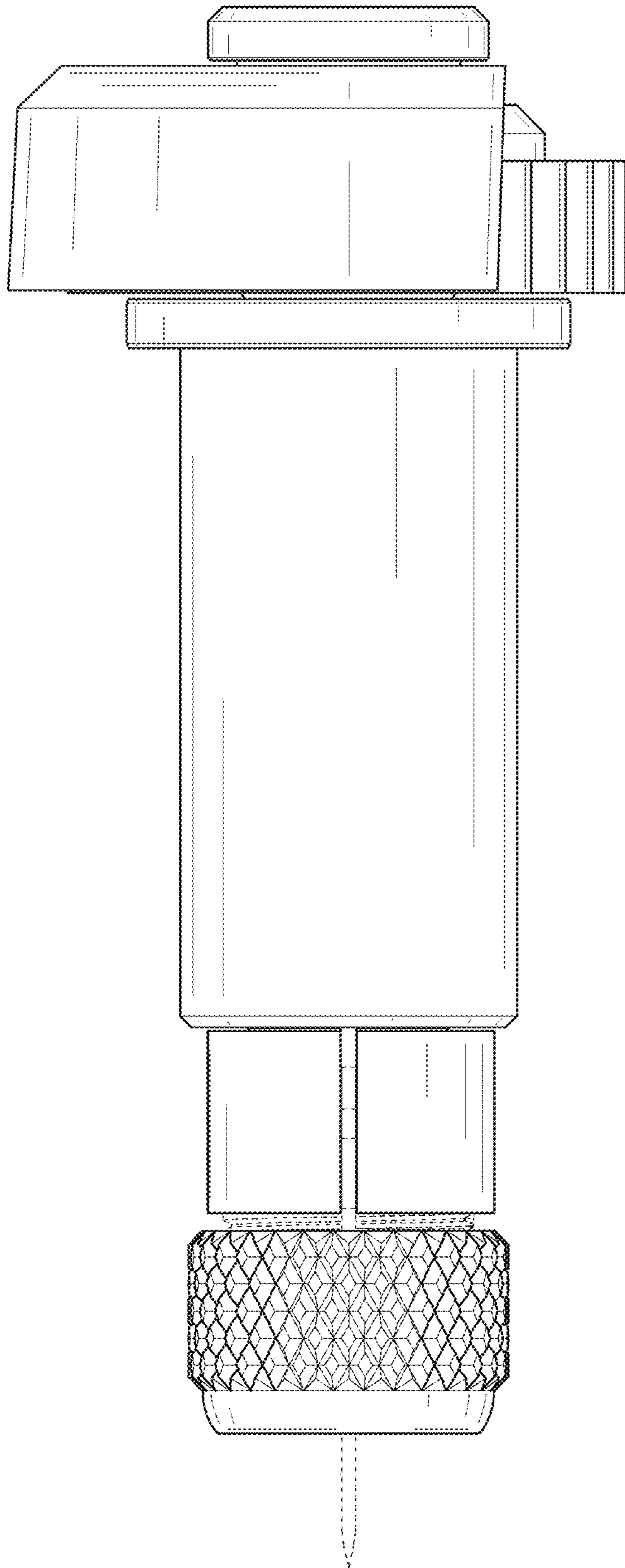


FIG. 4

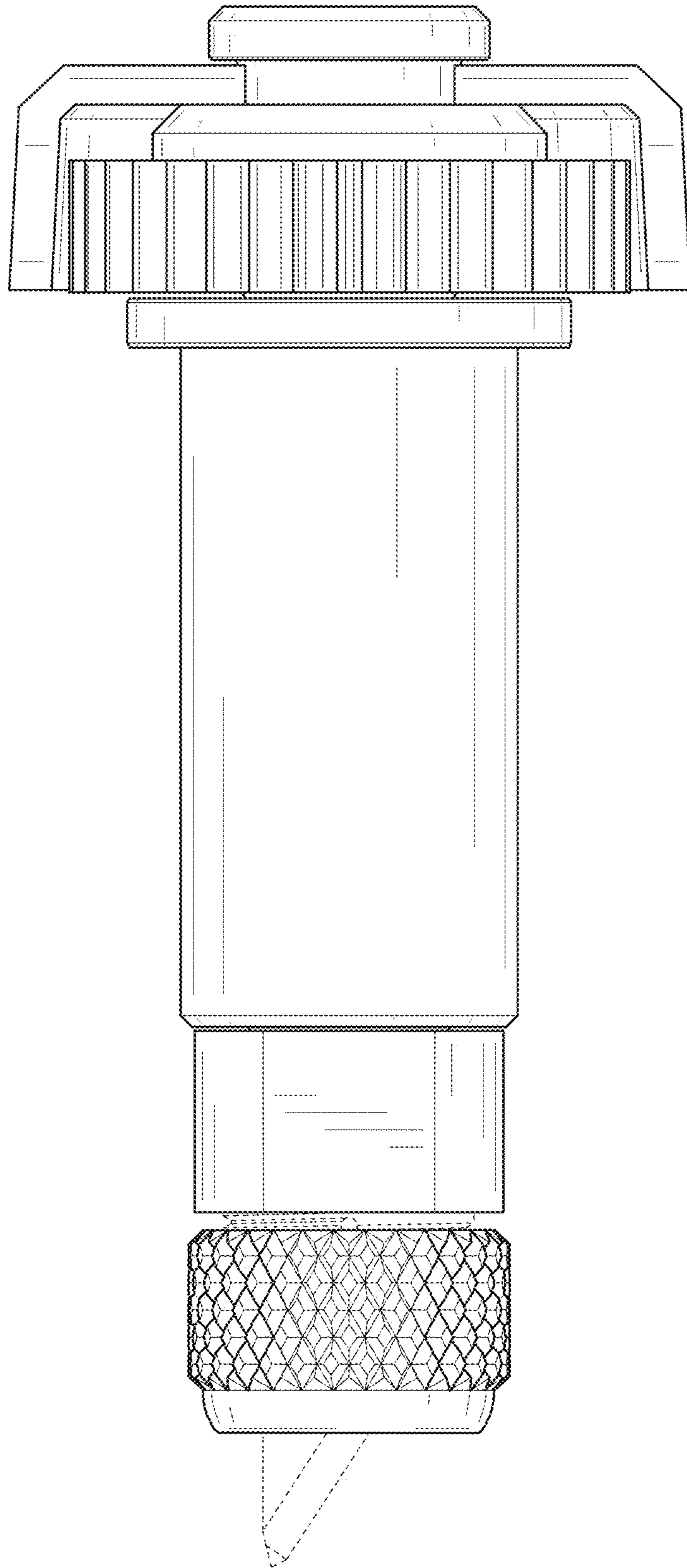


FIG. 5

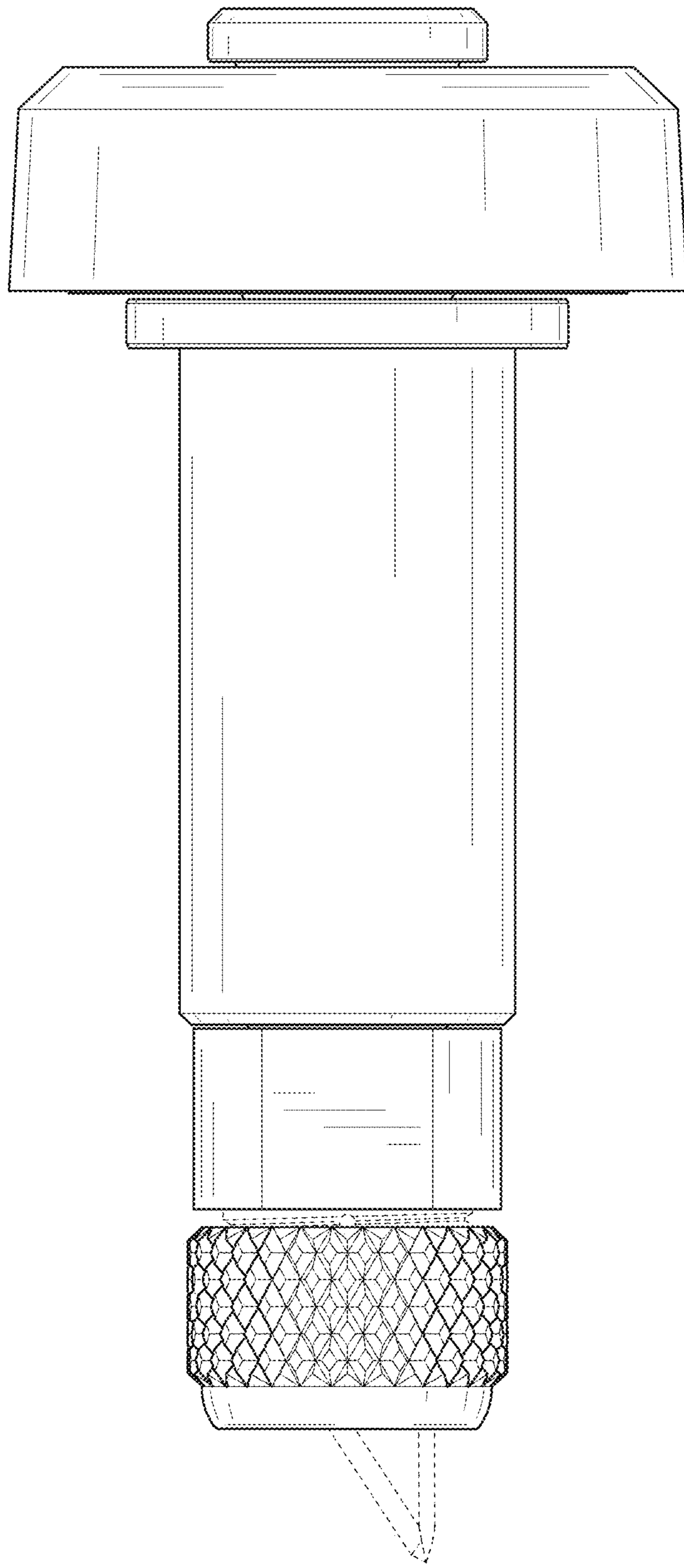


FIG. 6



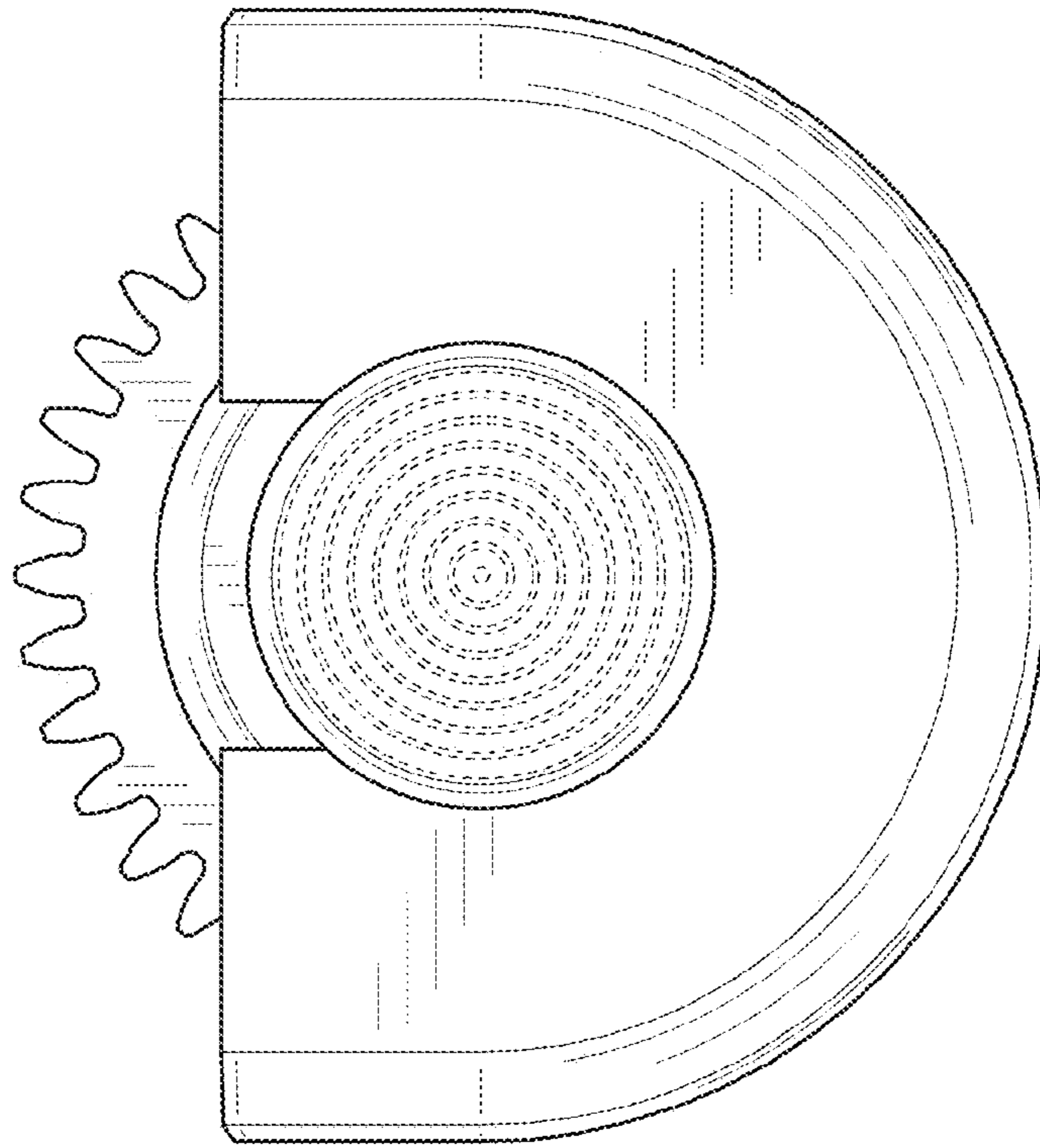


FIG. 7

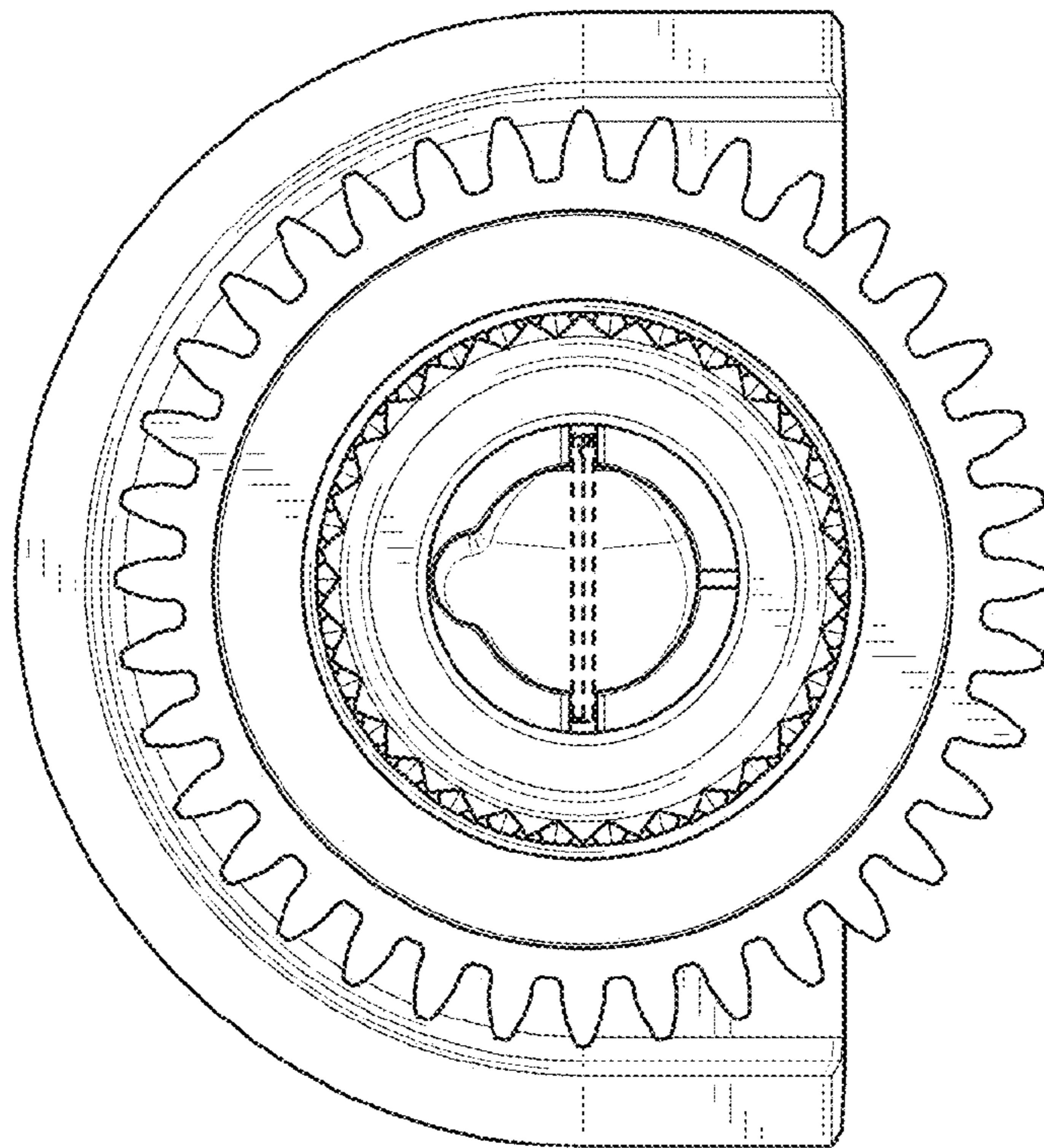


FIG. 8