



US00D959226S

(12) **United States Design Patent** (10) **Patent No.:** **US D959,226 S**  
**Suzuki et al.** (45) **Date of Patent:** **\*\* Aug. 2, 2022**

(54) **PORTABLE ELECTRIC CIRCULAR SAW BODY**  
(71) Applicant: **MAKITA CORPORATION**, Anjo (JP)  
(72) Inventors: **Wataru Suzuki**, Anjo (JP); **Mingli Lei**, Jiangsu (CN); **Tao Wang**, Jiangsu (CN)  
(73) Assignee: **MAKITA CORPORATION**, Anjo (JP)  
(\*\*) Term: **15 Years**  
(21) Appl. No.: **29/772,568**  
(22) Filed: **Mar. 2, 2021**  
(30) **Foreign Application Priority Data**

Sep. 4, 2020 (JP) ..... 2020-018901 D  
(51) **LOC (13) Cl.** ..... **08-03**  
(52) **U.S. Cl.**  
USPC ..... **D8/66**  
(58) **Field of Classification Search**  
USPC .... D8/69, 68, 67, 66, 64, 61, 70; 83/698.41,  
83/747, 166.3, 374, 373, 375, 376, 391,  
83/377, 390, 388, 389; 125/13.01;  
144/218  
CPC .... B27B 9/00; B27B 9/02; B27B 5/02; B27B  
5/18; B27B 33/08; B28D 1/04; B28D  
1/045; B23D 45/00  
See application file for complete search history.

(56) **References Cited**  
U.S. PATENT DOCUMENTS  
5,007,173 A \* 4/1991 Rush ..... B27B 9/00  
30/391  
D363,656 S \* 10/1995 Gierke ..... D8/69  
(Continued)

FOREIGN PATENT DOCUMENTS  
JP D1571653 S 2/2017

*Primary Examiner* — Austin Murphy  
(74) *Attorney, Agent, or Firm* — Global IP Counselors, LLP

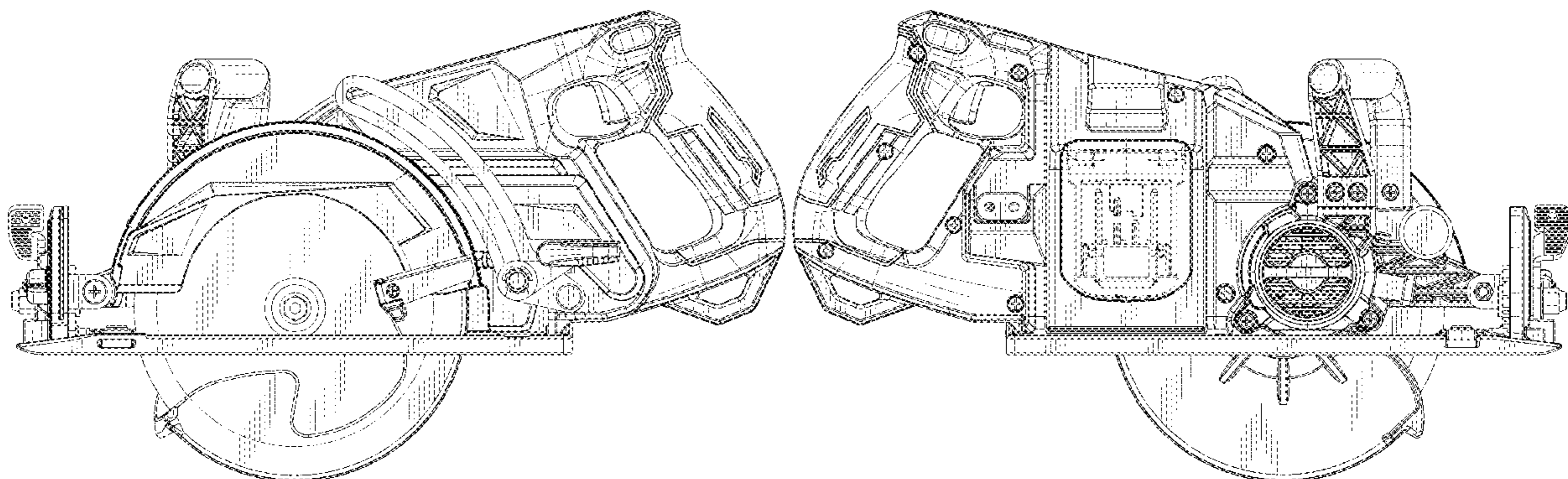
(57) **CLAIM**

The ornamental design for a portable electric circular saw body, as shown and described.

**DESCRIPTION**

FIG. 1 is a front perspective view of a portable electric circular saw body in accordance with our new design; FIG. 2 is a rear perspective view of the portable electric circular saw body in accordance with our new design; FIG. 3 is a front elevational view of the portable electric circular saw body in accordance with our new design; FIG. 4 is a rear elevational view of the portable electric circular saw body in accordance with our new design; FIG. 5 is a top plan view of the portable electric circular saw body in accordance with our new design; FIG. 6 is a bottom plan view of the portable electric circular saw body in accordance with our new design; FIG. 7 is a right side elevational view of the portable electric circular saw body in accordance with our new design; FIG. 8 is a left side elevational view of the portable electric circular saw body in accordance with our new design; and, FIG. 9 is a rear perspective view, similar to FIG. 2, of the portable electric circular saw body in accordance with our new design illustrating a state in which a battery is attached to the portable electric circular saw body. The broken line showing of the battery in FIG. 9 is provided for the purpose of illustrating environmental structures; whereas the broken line showing in FIGS. 2 and 4-6 and the broke line showing in FIG. 9 other than the battery illustrate portions of the portable electric circular saw body. These broken line subject matters do not form part of the claimed design.

**1 Claim, 9 Drawing Sheets**



(56)

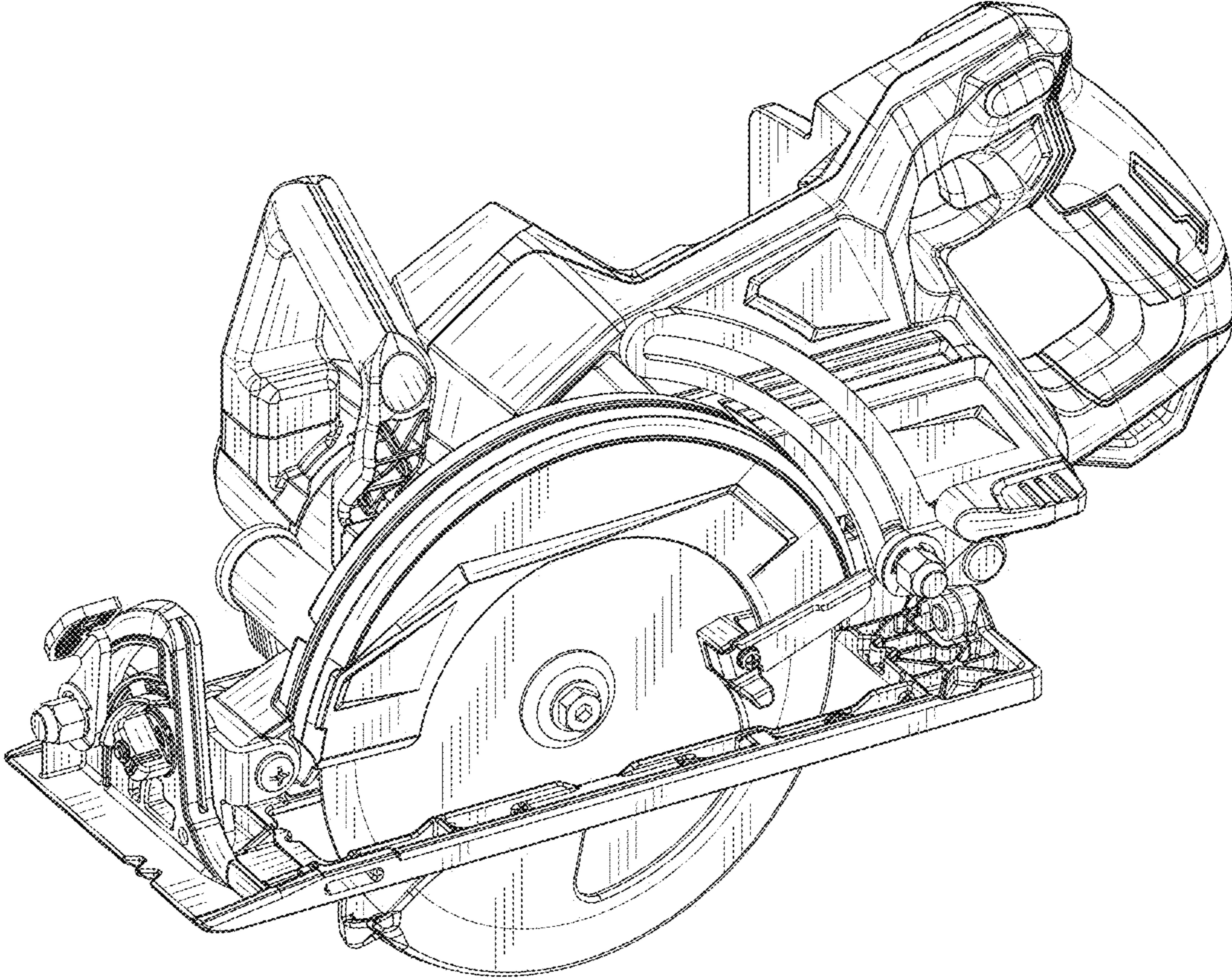
**References Cited**

U.S. PATENT DOCUMENTS

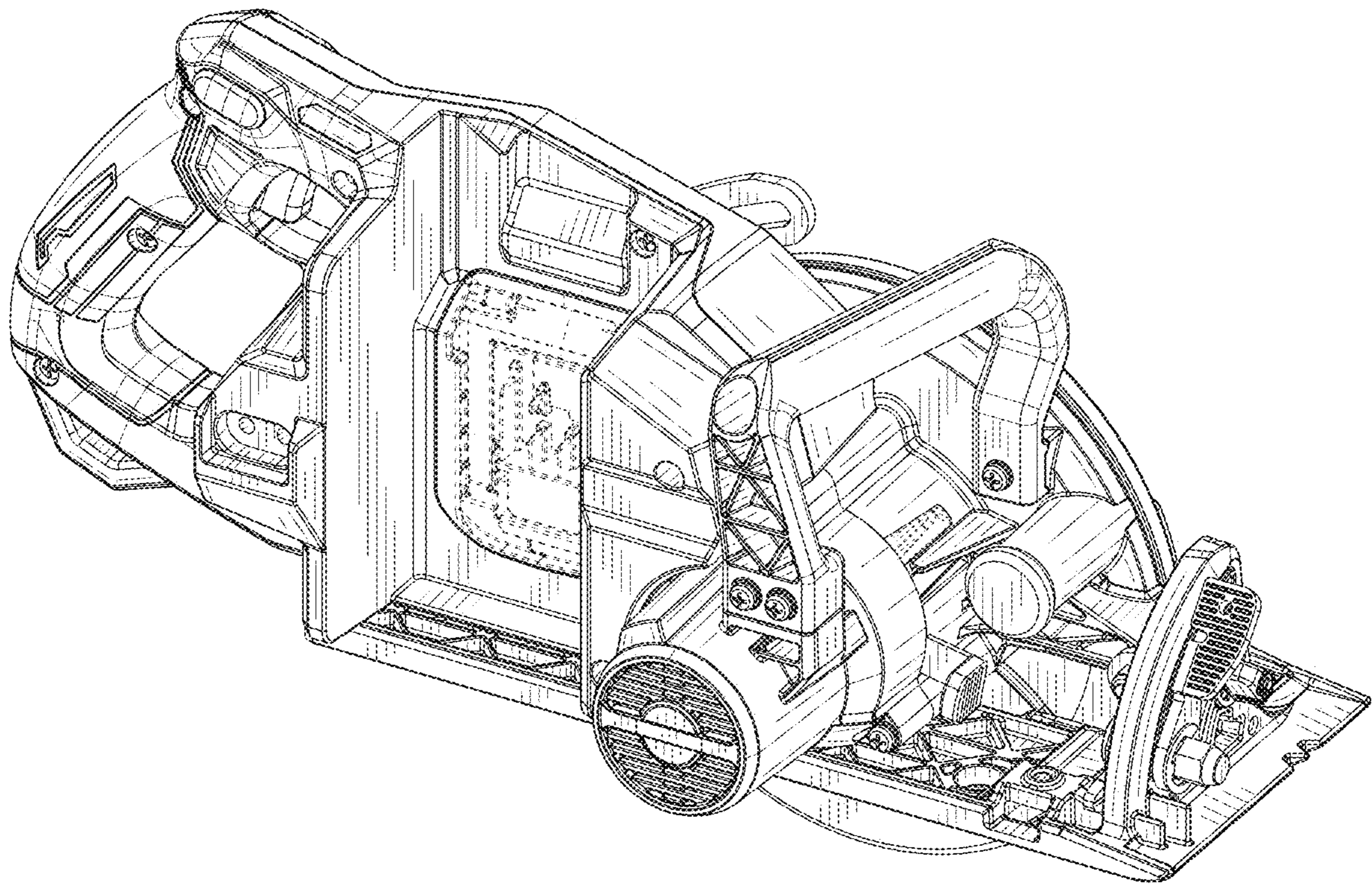
6,055,734 A \* 5/2000 McCurry ..... B27B 9/00  
83/520  
D427,872 S \* 7/2000 Snider ..... D8/66  
D428,319 S \* 7/2000 Gallagher ..... D8/66  
6,161,293 A \* 12/2000 Watson ..... B23D 45/16  
30/DIG. 1  
6,202,311 B1 \* 3/2001 Nickels, Jr. .... B27B 9/02  
30/376  
D445,013 S \* 7/2001 Etter ..... D8/66  
6,260,274 B1 \* 7/2001 Kane ..... B23D 47/12  
30/390  
D449,503 S \* 10/2001 Tsuzuki ..... D8/66  
D470,376 S \* 2/2003 Chunn ..... D8/66  
D507,949 S \* 8/2005 Chunn ..... D8/66  
6,996,909 B1 \* 2/2006 Buck ..... H01M 50/543  
30/DIG. 1  
D531,473 S \* 11/2006 Lopano ..... D8/66  
D555,450 S \* 11/2007 Van Wambeke ..... D8/66  
D559,644 S \* 1/2008 Kuroyanagi ..... D8/66  
D567,612 S \* 4/2008 Wright ..... D8/66  
2011/0167651 A1 \* 7/2011 Tokunaga ..... B23D 47/12  
30/388  
2014/0215839 A1 \* 8/2014 Abe ..... B25F 5/001  
30/388

\* cited by examiner



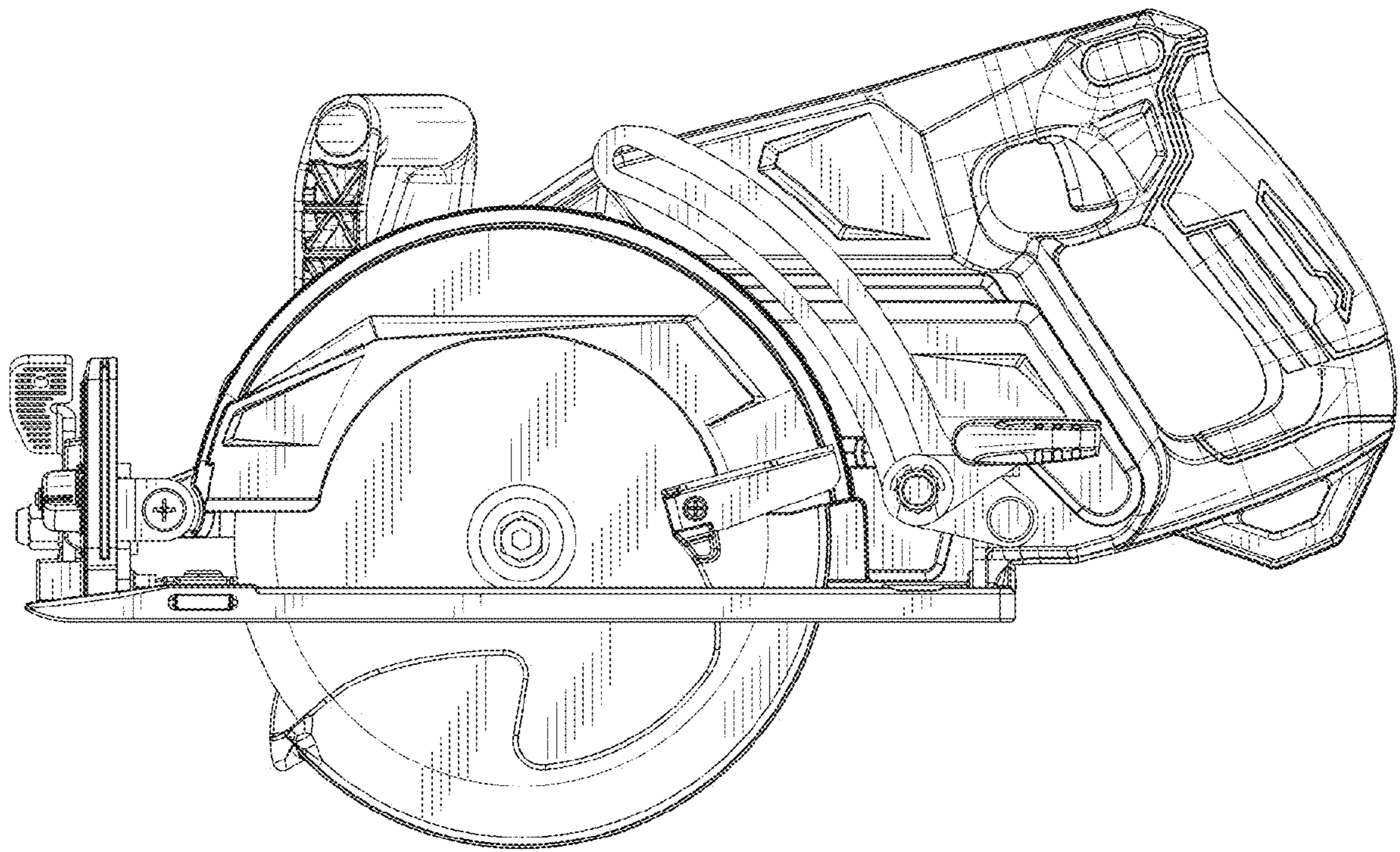


**FIG. 1**

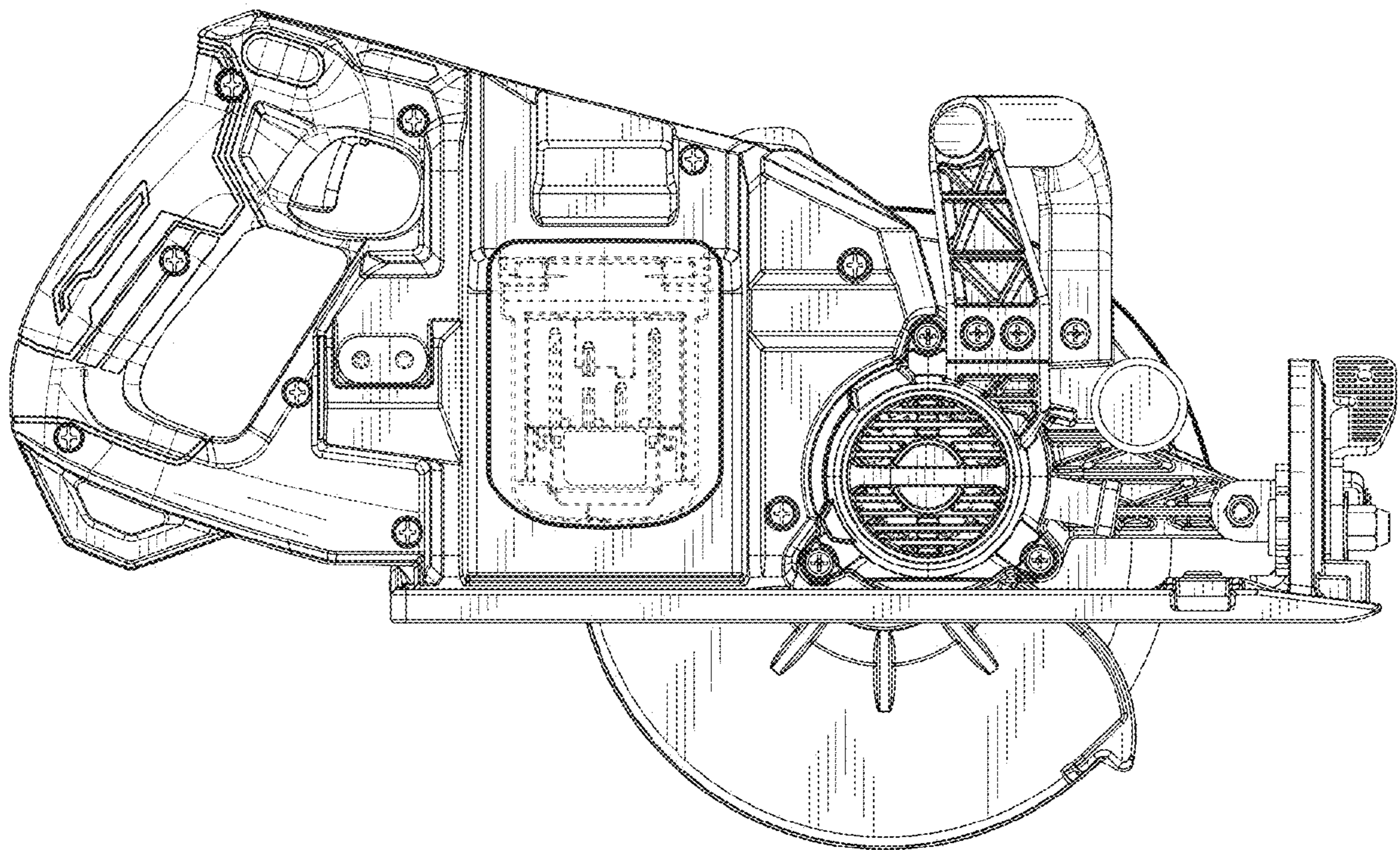


**FIG. 2**



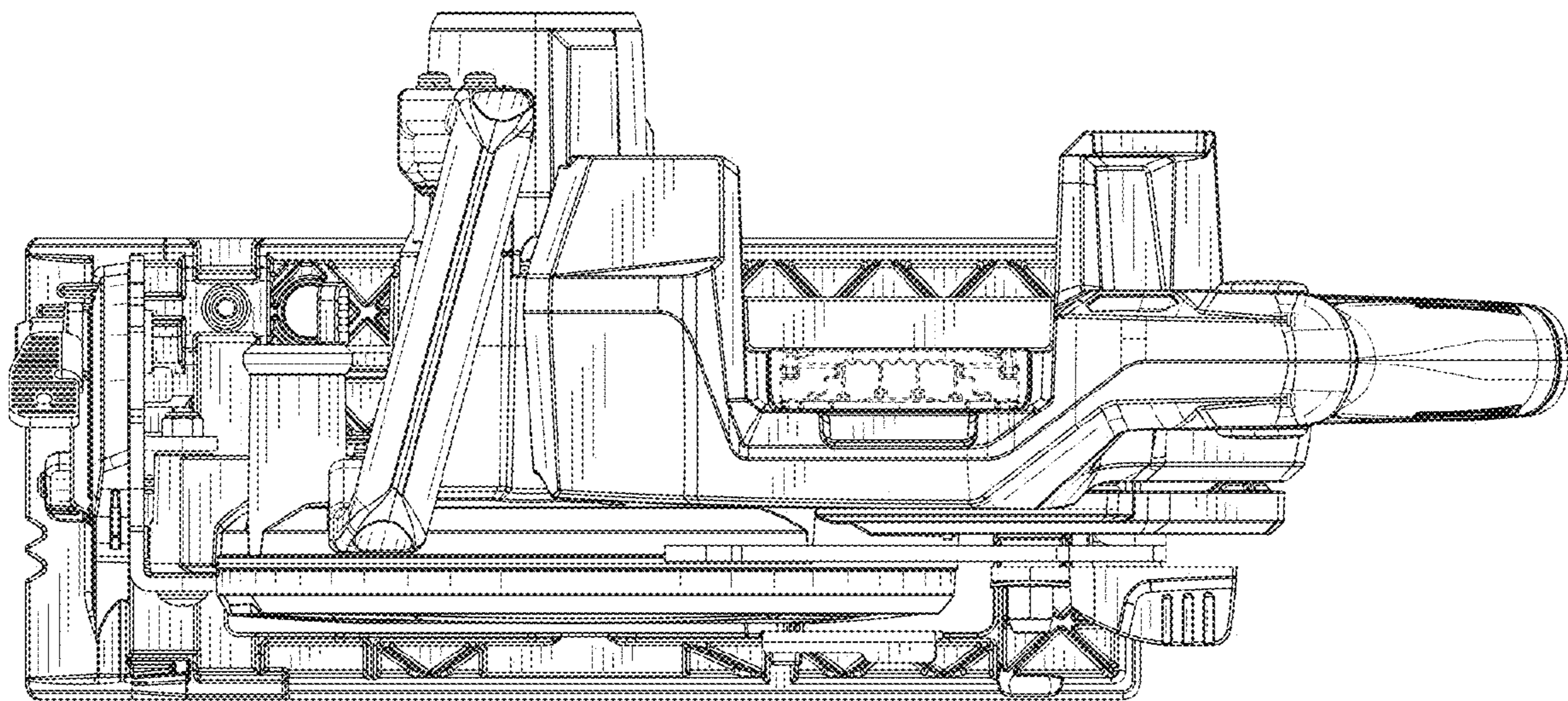


**FIG. 3**

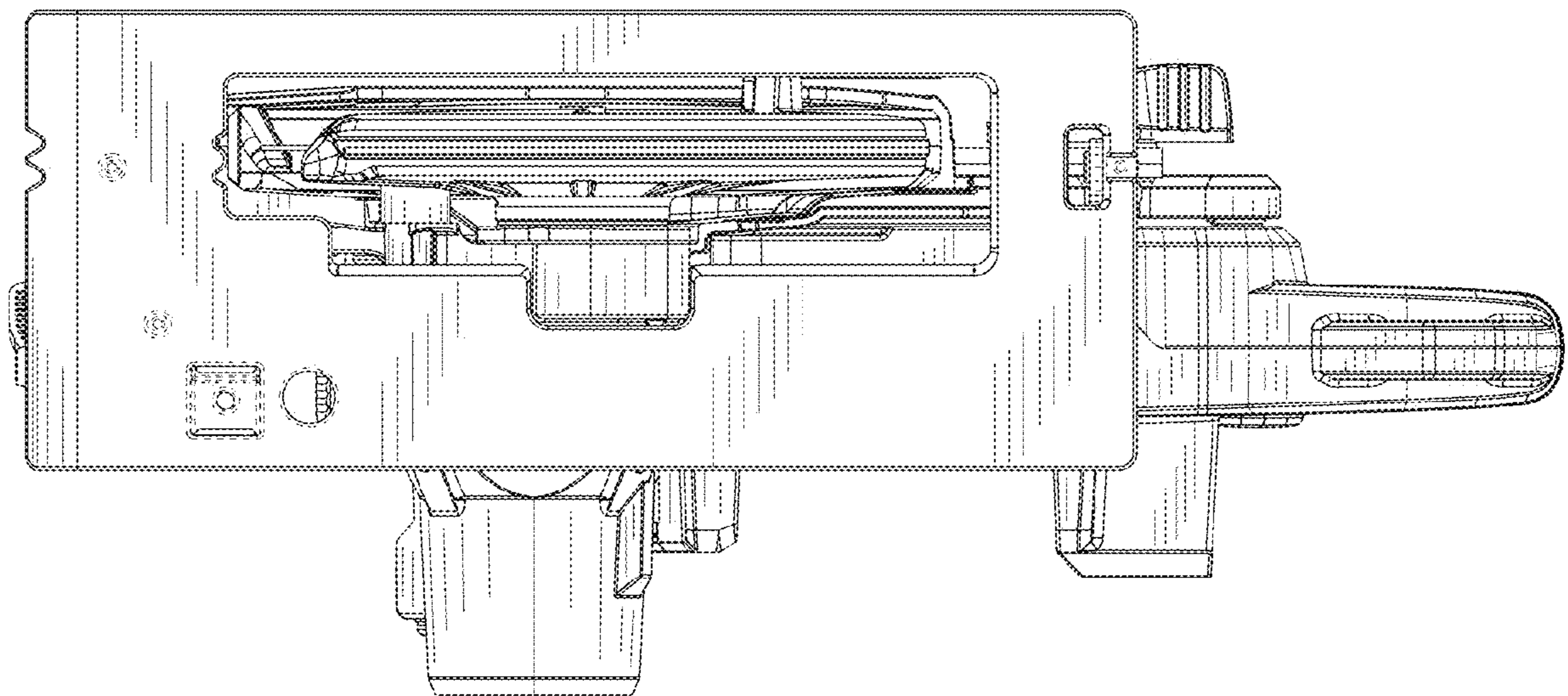


**FIG. 4**



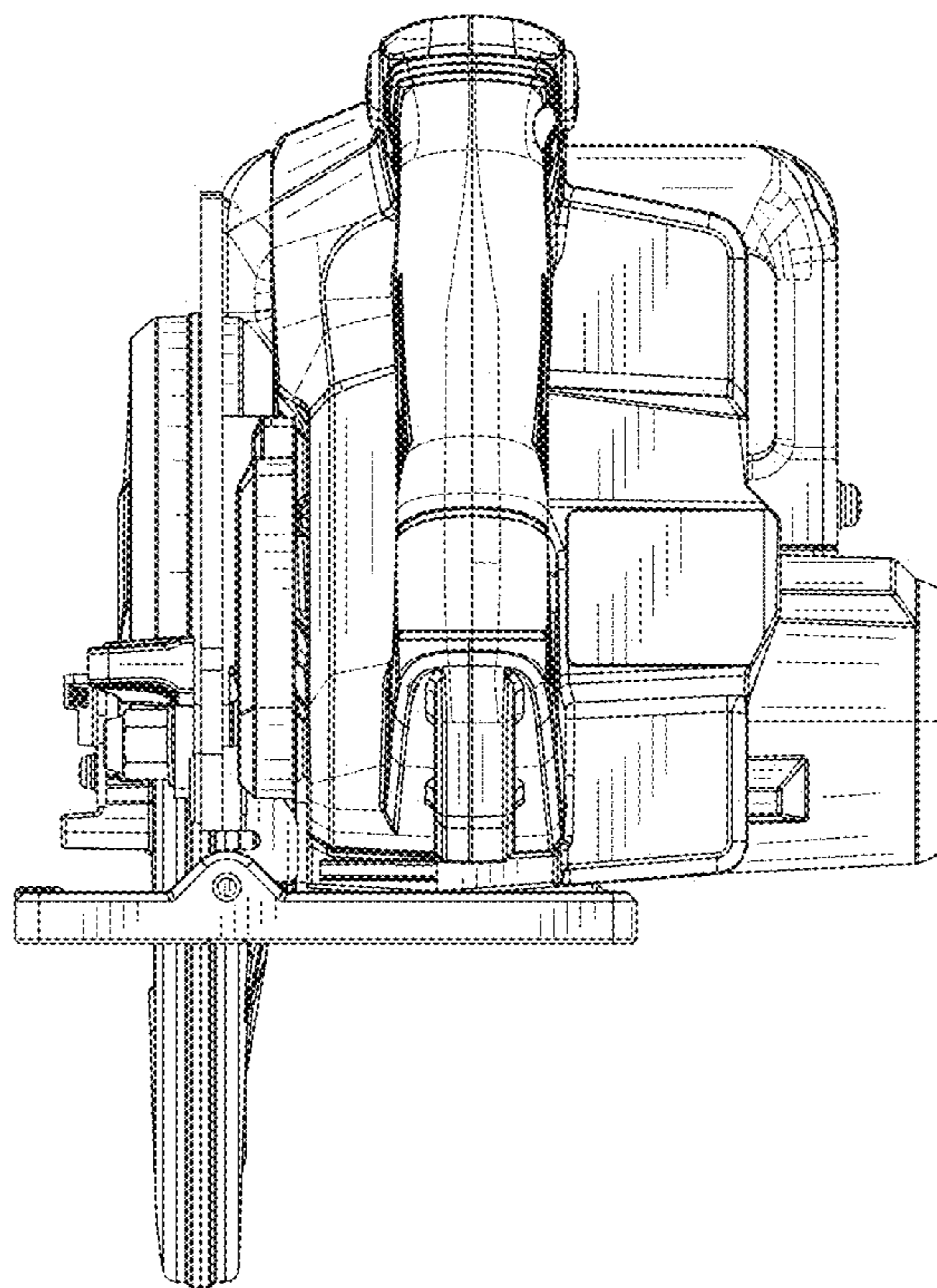


**FIG. 5**

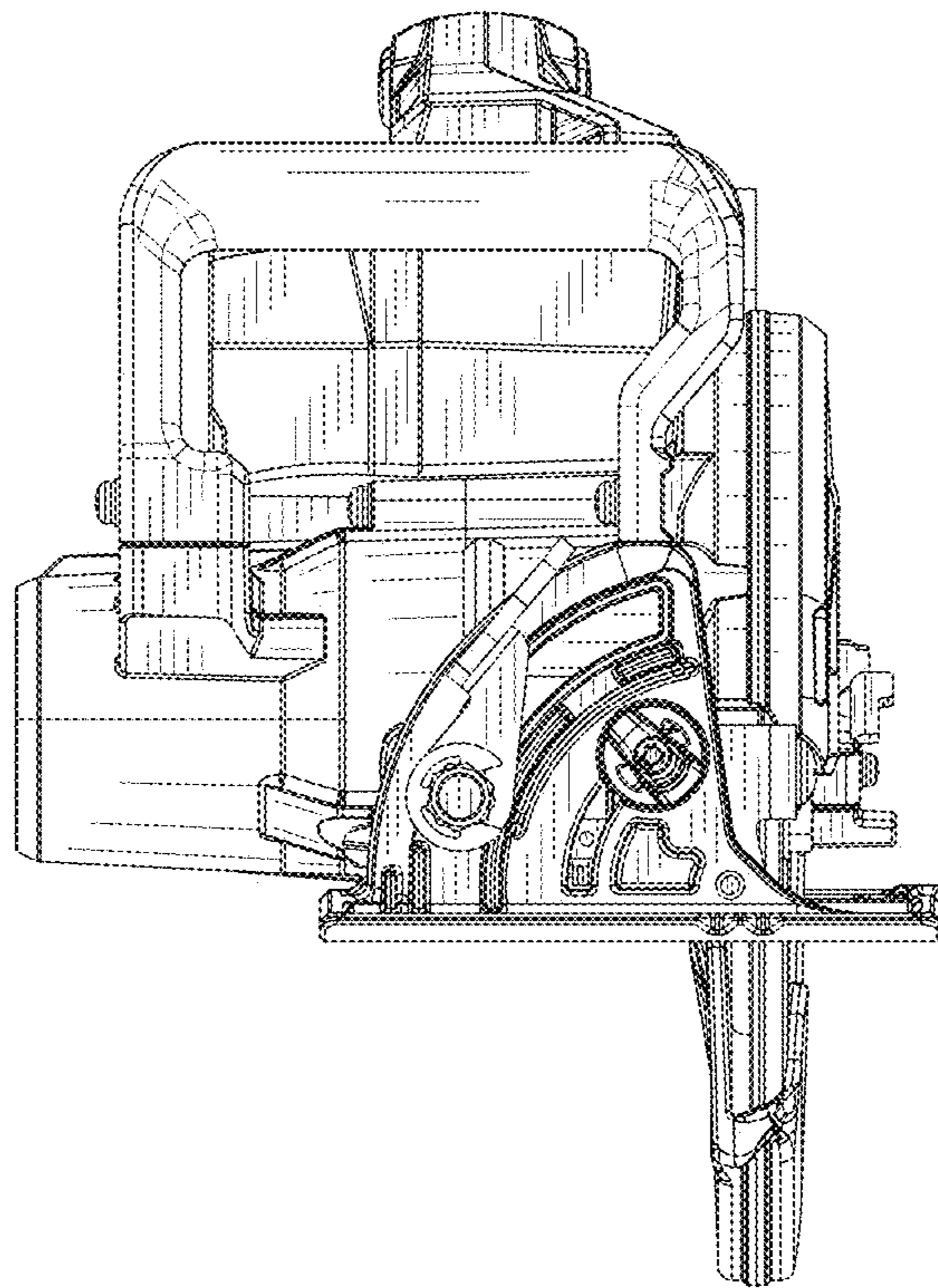


**FIG. 6**



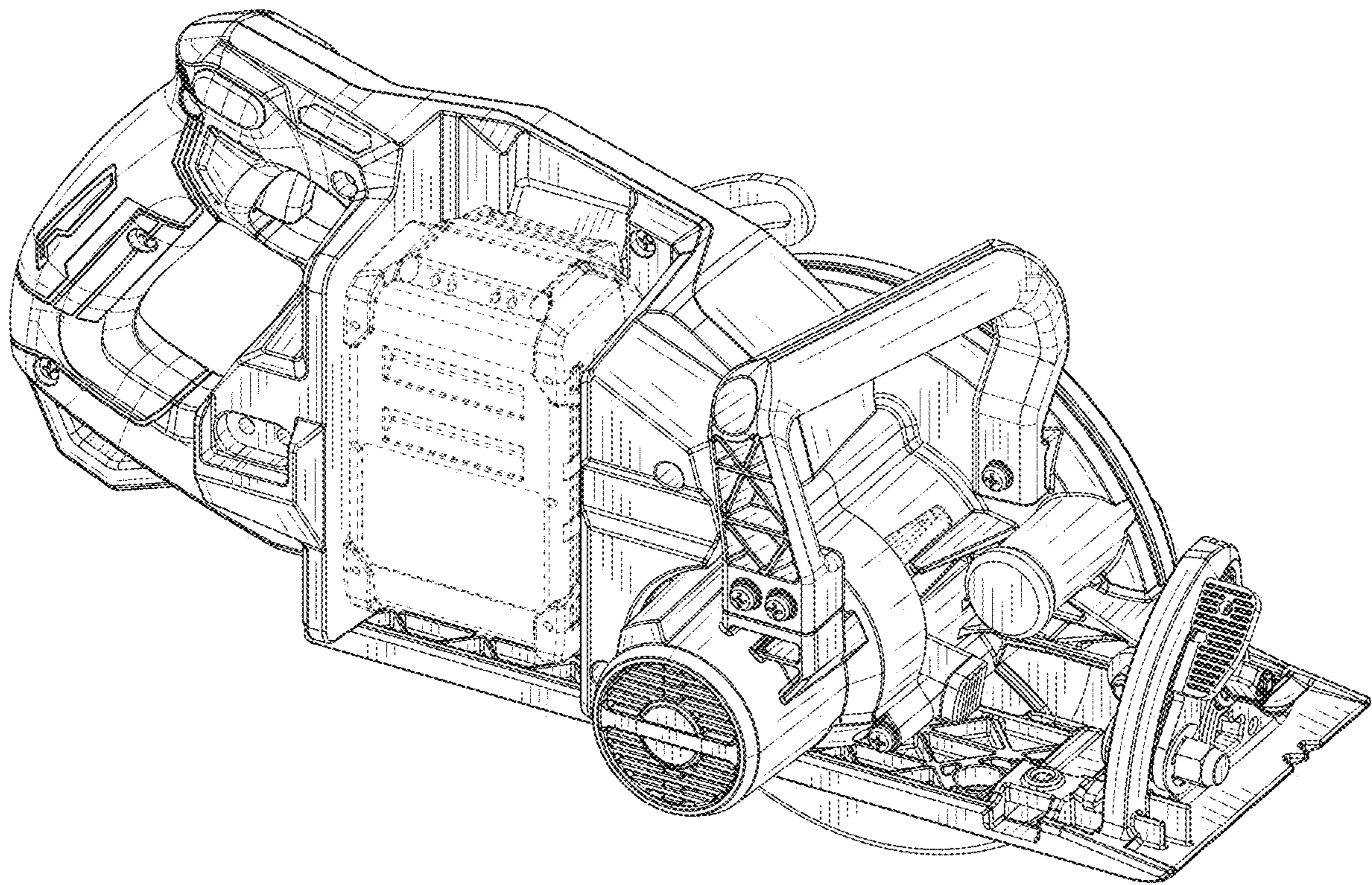


**FIG. 7**



**FIG. 8**





**FIG. 9**