



US00D959225S

(12) **United States Design Patent**  
**Nakamura et al.**

(10) **Patent No.:** **US D959,225 S**  
(45) **Date of Patent:** **\*\* Aug. 2, 2022**

(54) **PORTABLE ELECTRIC CIRCULAR SAW**

FOREIGN PATENT DOCUMENTS

(71) Applicant: **MAKITA CORPORATION**, Anjo (JP)

JP 1655914 S 3/2020

(72) Inventors: **Kento Nakamura**, Anjo (JP);  
**Yoshihiro Kimura**, Anjo (JP)

*Primary Examiner* — Michael C Stout  
*Assistant Examiner* — Fritzgerald L Butac

(73) Assignee: **MAKITA CORPORATION**, Anjo (JP)

(74) *Attorney, Agent, or Firm* — Global IP Counselors,  
LLP

(\*\*) Term: **15 Years**

(57) **CLAIM**

The ornamental design for a portable electric circular saw, as shown and described.

(21) Appl. No.: **29/741,103**

**DESCRIPTION**

(22) Filed: **Jul. 9, 2020**

(30) **Foreign Application Priority Data**

Jan. 10, 2020 (JP) ..... 2020-000316 D

(51) **LOC (13) Cl.** ..... **08-03**

(52) **U.S. Cl.**  
USPC ..... **D8/66**

(58) **Field of Classification Search**  
USPC ..... D8/61, 64, 66-70  
CPC ..... B28D 1/045; B23D 45/00; B27B 9/00;  
B27B 9/02; B27B 33/08; B27B 5/18  
See application file for complete search history.

FIG. 1 is a front perspective view of a portable electric circular saw in accordance with our new design; FIG. 2 is a rear perspective view of the portable electric circular saw in accordance with our new design; FIG. 3 is a front elevational view of the portable electric circular saw in accordance with our new design; FIG. 4 is a rear elevational view of the portable electric circular saw in accordance with our new design; FIG. 5 is a right side elevational view of the portable electric circular saw in accordance with our new design; FIG. 6 is a left side elevational view of the portable electric circular saw in accordance with our new design; FIG. 7 is a top plan view of the portable electric circular saw in accordance with our new design; FIG. 8 is a bottom plan view of the portable electric circular saw in accordance with our new design; and, FIG. 9 is a front perspective view of the portable electric circular saw in accordance with our new design illustrating a state in which a battery is attached to the portable electric circular saw.

(56) **References Cited**

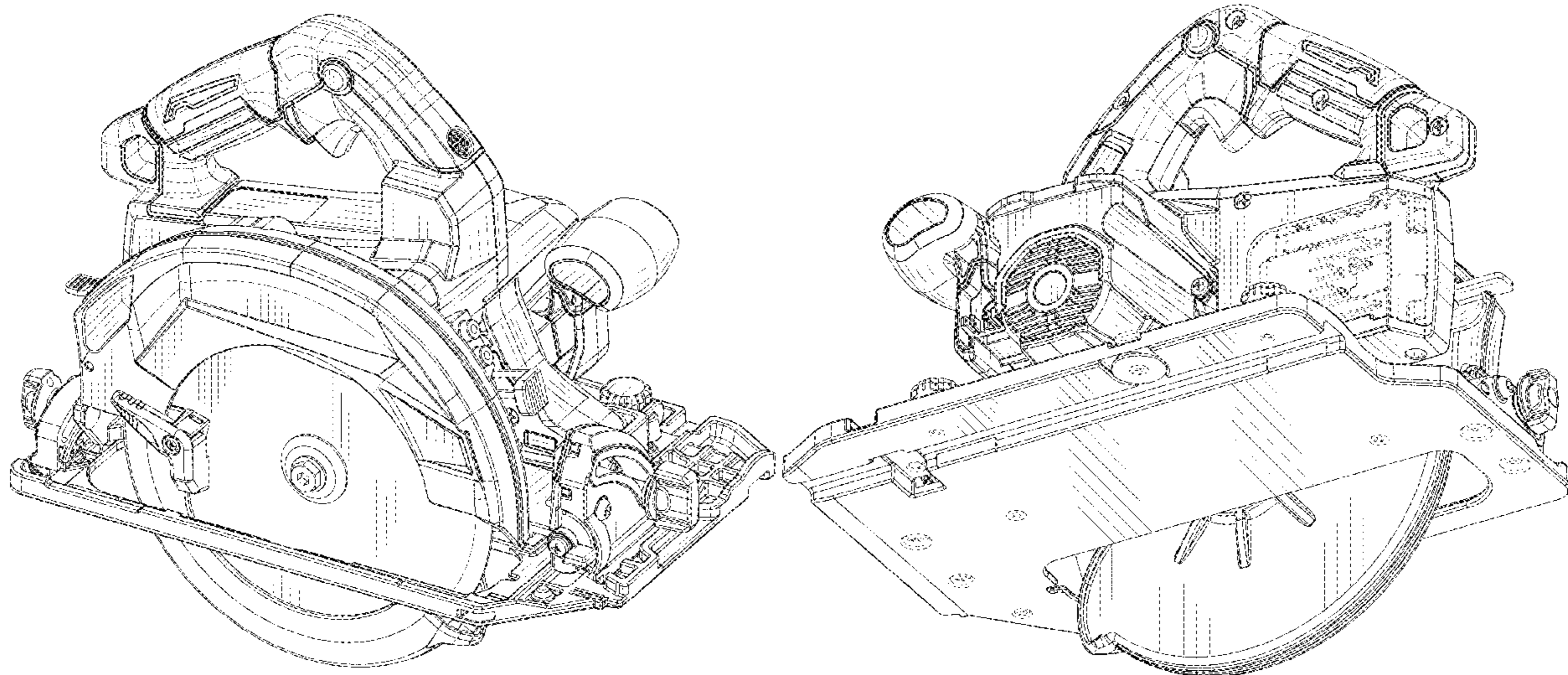
U.S. PATENT DOCUMENTS

D520,830 S *	5/2006	Suzuki	.....	D8/66
D522,833 S *	6/2006	Kokawa	.....	D8/66
D555,450 S *	11/2007	Van Wambeke	.....	D8/66
D568,705 S *	5/2008	Lopano	.....	D8/66
D631,719 S *	2/2011	Aglassinger	.....	D8/66
D632,940 S *	2/2011	Yamamoto	.....	D8/66
D638,681 S *	5/2011	Yamada	.....	D8/66
D699,088 S *	2/2014	Abe	.....	D8/66
D703,508 S *	4/2014	Kawase	.....	D8/66
D705,629 S *	5/2014	Schoch	.....	D8/66
D710,172 S *	8/2014	Tschopp	.....	D8/66

(Continued)

The broken line showing of environmental structures in the drawings forms no part of the claimed design. The broken lines seen in FIGS. 2, 4, and FIGS. 6-9 show portions of a portable electric circular saw which form no part of the claimed design.

**1 Claim, 9 Drawing Sheets**



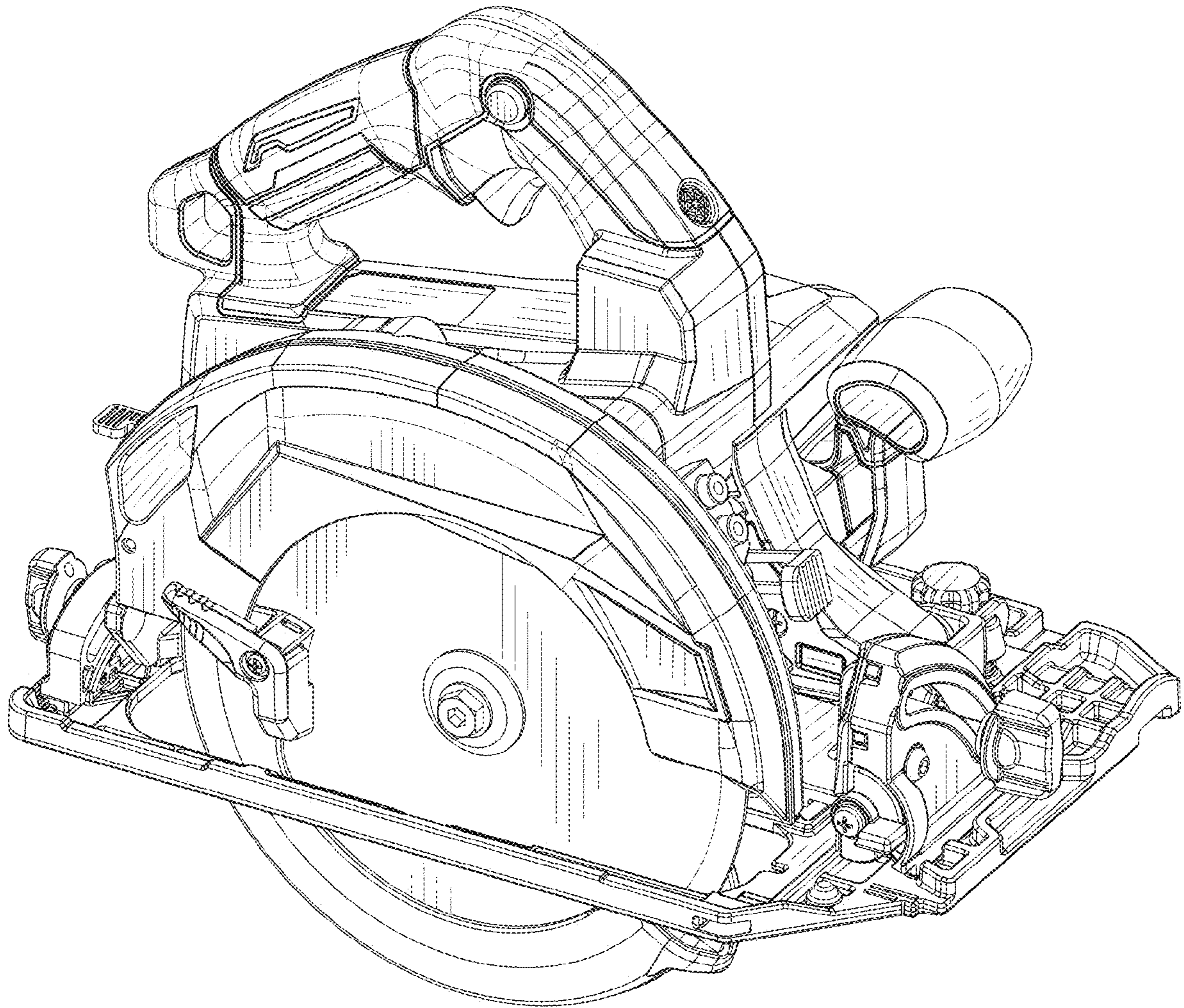
(56)

**References Cited**

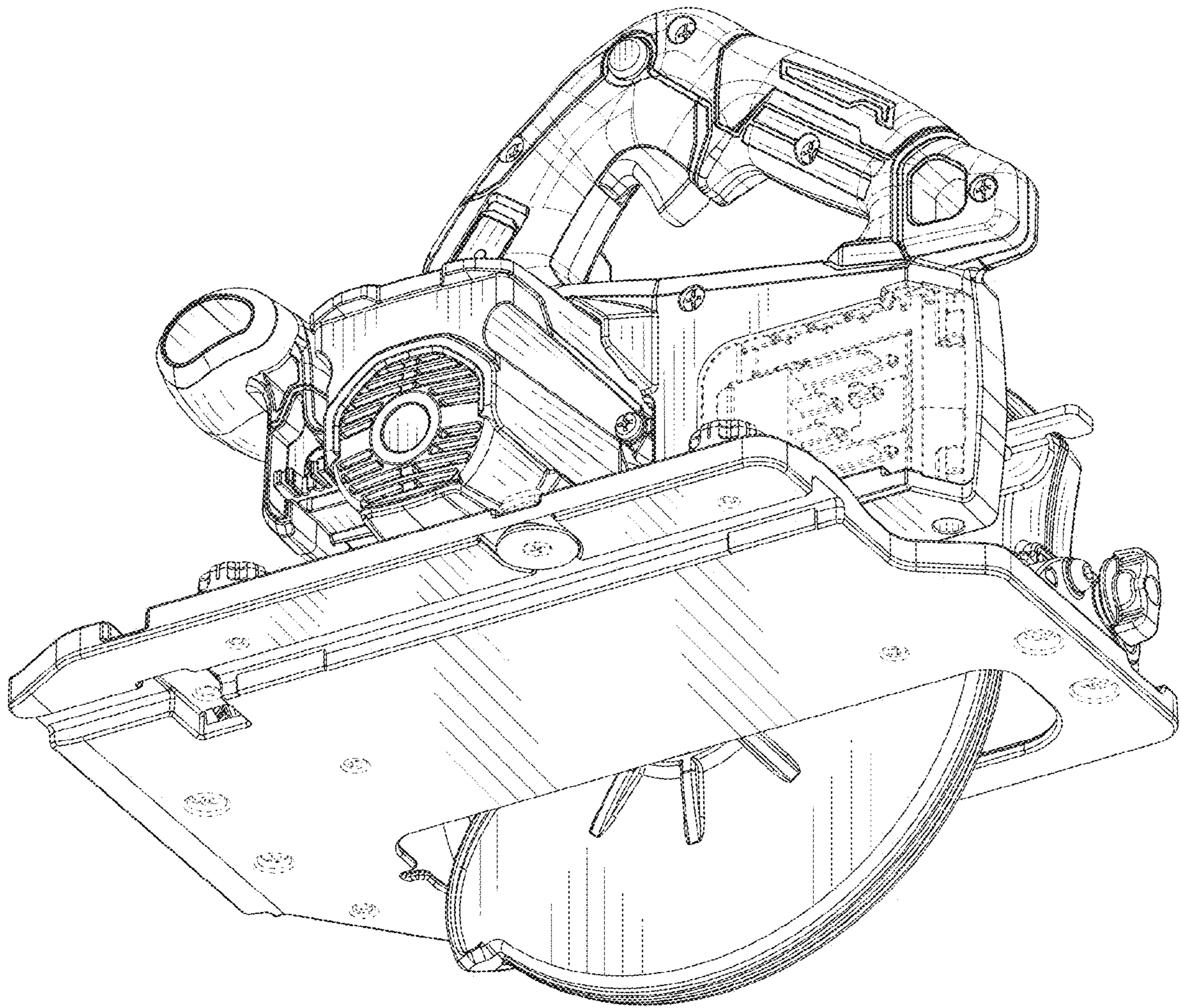
U.S. PATENT DOCUMENTS

8,816,545 B2 \* 8/2014 Fukuoka ..... H02K 7/145  
310/50  
D756,738 S \* 5/2016 Itoh ..... D8/66  
D790,304 S \* 6/2017 Waldron ..... D8/66  
D790,305 S \* 6/2017 Waldron ..... D8/66  
D790,306 S \* 6/2017 Waldron ..... D8/66  
D831,710 S \* 10/2018 Imsand ..... D15/133  
D849,495 S \* 5/2019 Taniguchi ..... D8/66  
D860,745 S \* 9/2019 Turner ..... D8/66  
D861,451 S \* 10/2019 Wang ..... D8/66  
D861,452 S \* 10/2019 Cooper ..... D8/66  
D862,187 S \* 10/2019 Borrás Marques ..... D8/66  
D863,918 S \* 10/2019 Takahashi ..... D8/66  
D883,056 S \* 5/2020 Turner ..... D8/66  
10,668,644 B2 \* 6/2020 Okouchi ..... B23Q 5/10  
10,913,174 B2 \* 2/2021 Nakashima ..... B23D 47/12

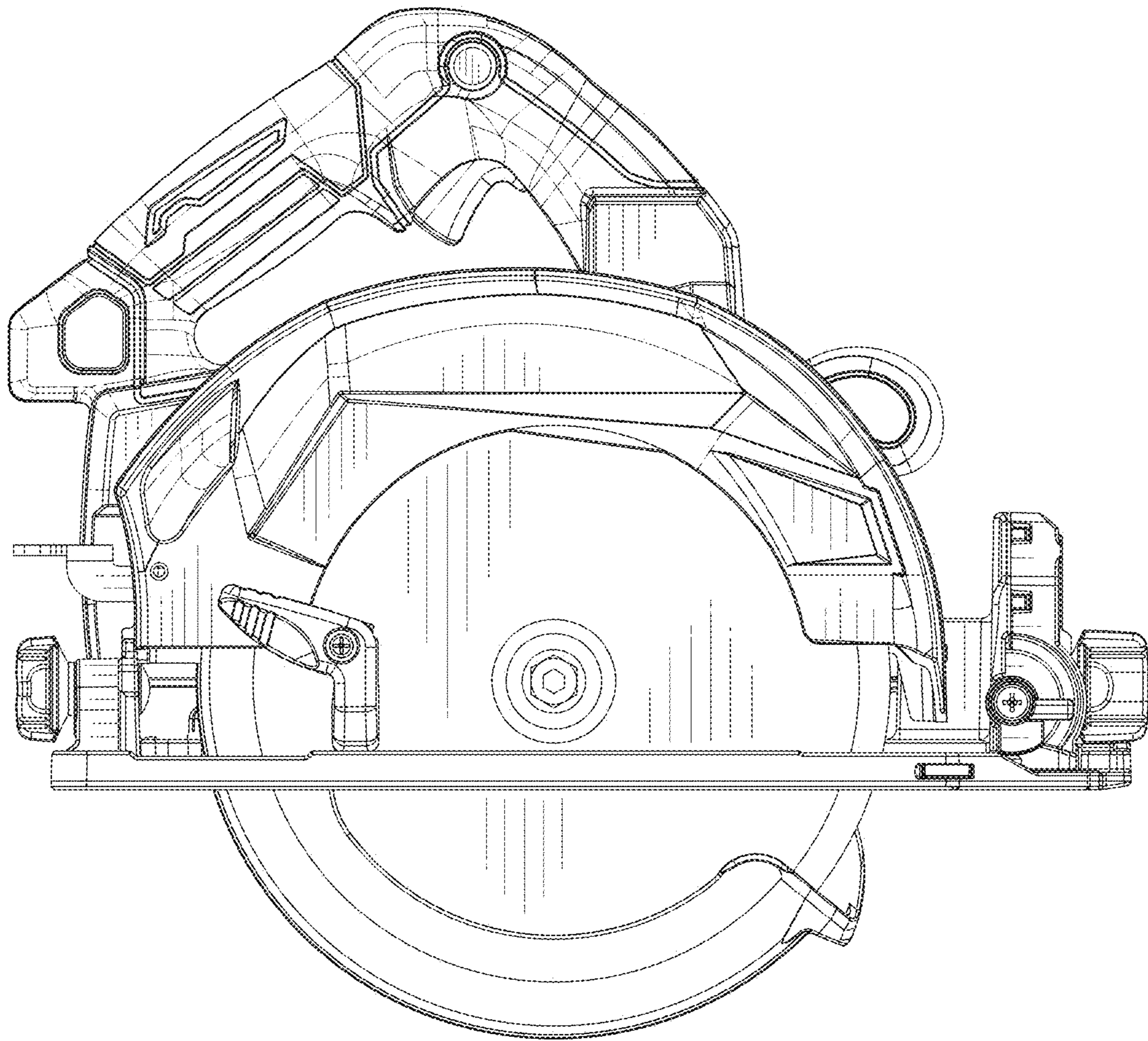
\* cited by examiner



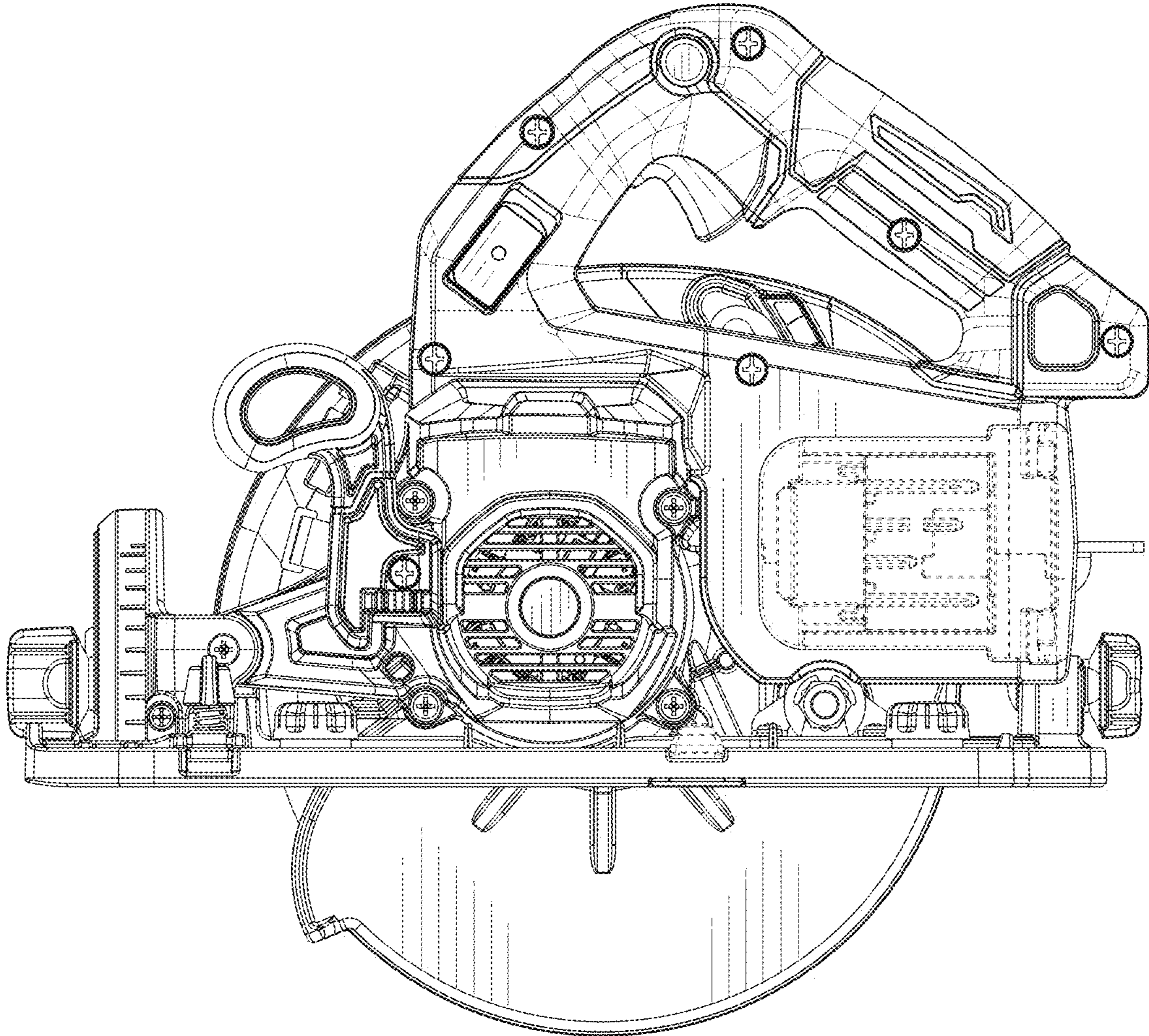
**FIG. 1**



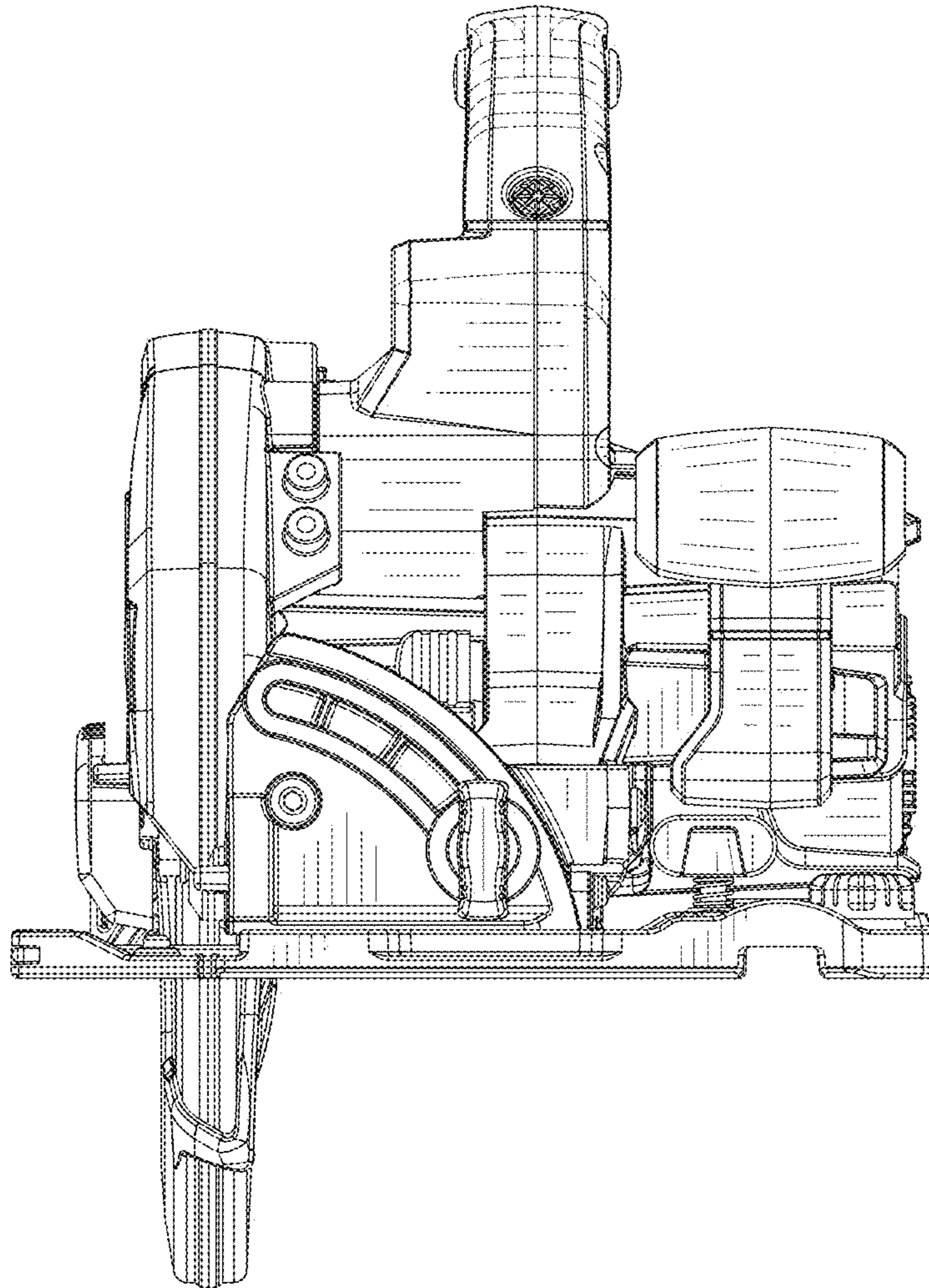
**FIG. 2**



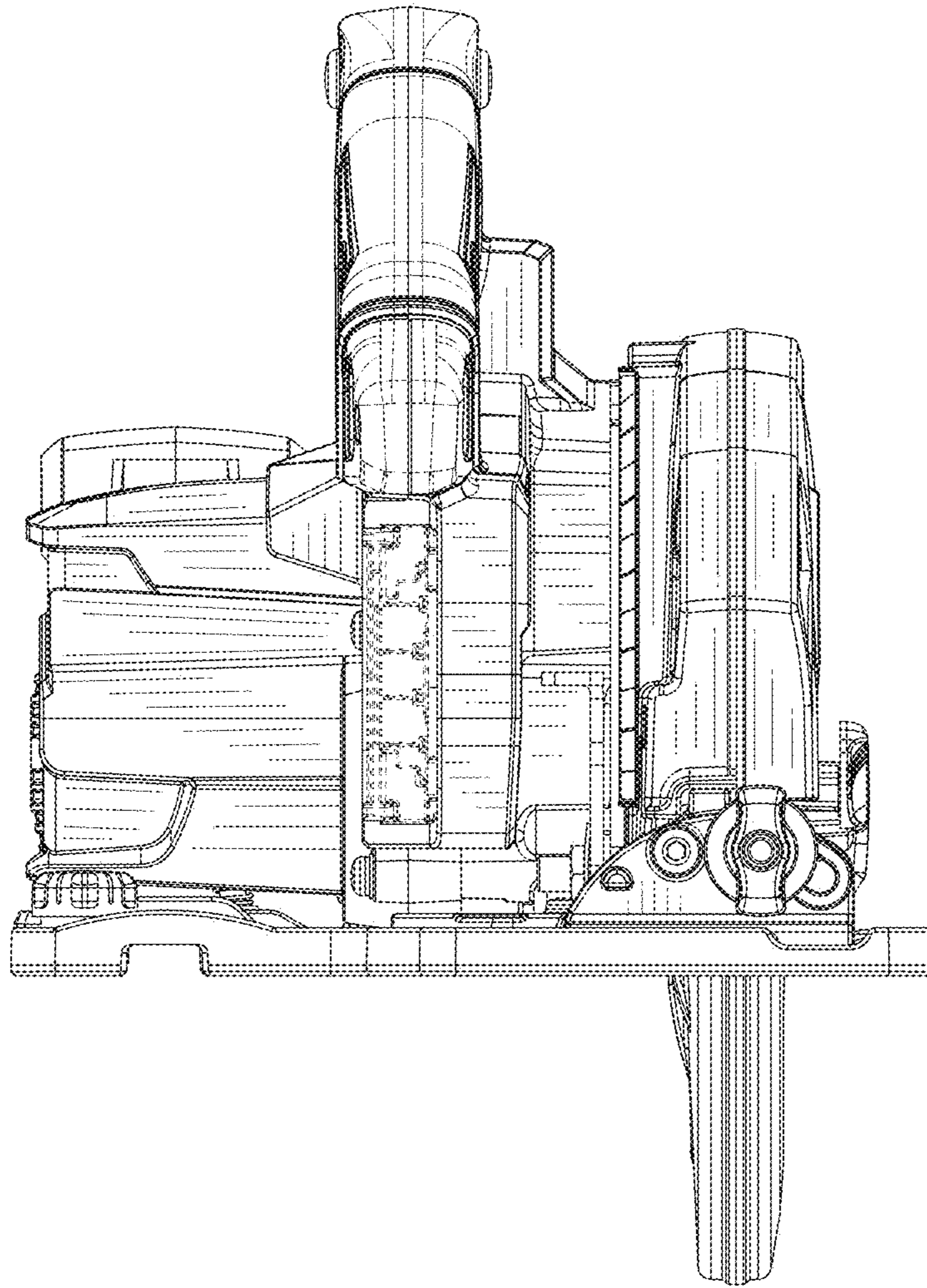
**FIG. 3**



**FIG. 4**

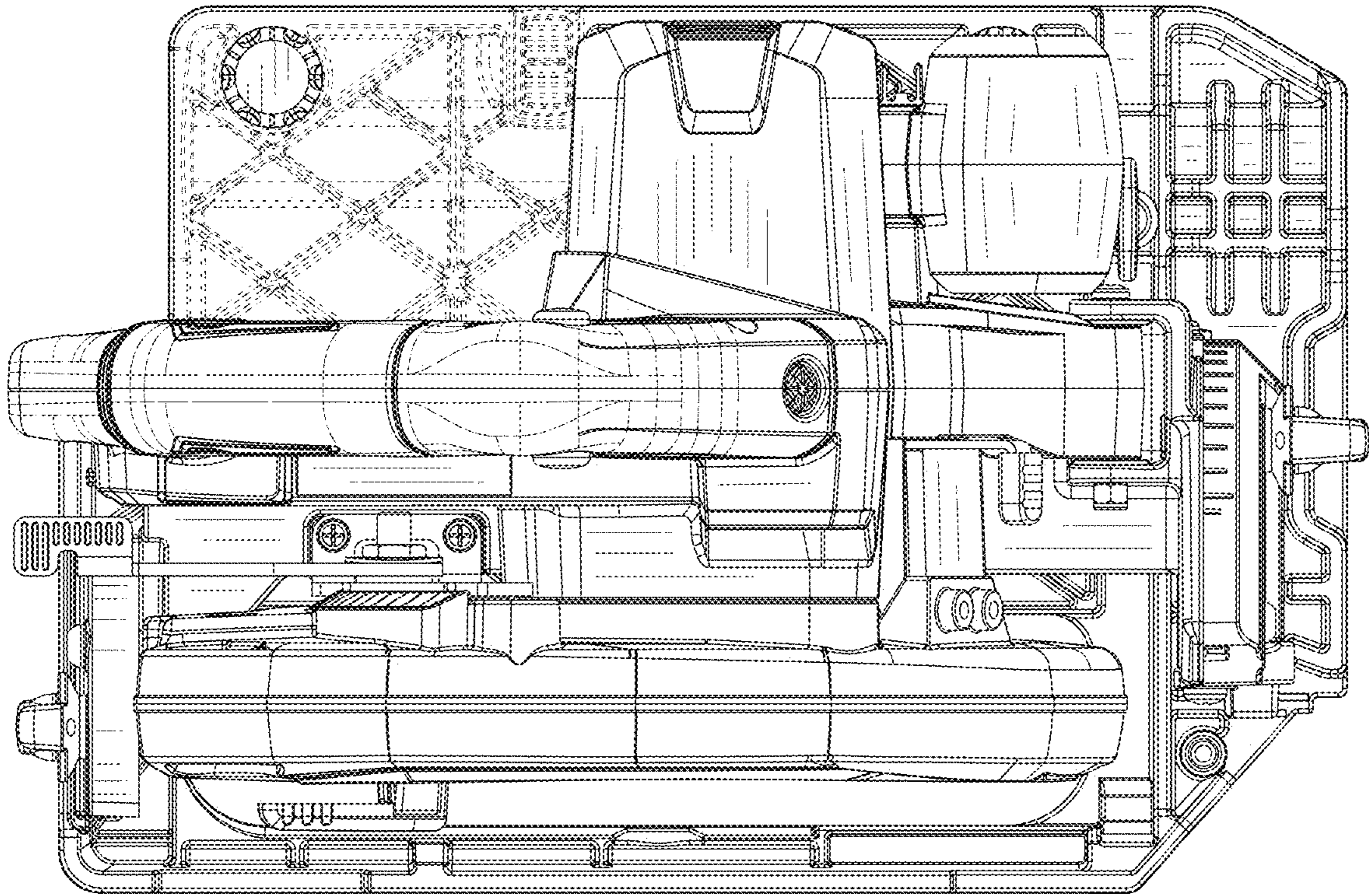


**FIG. 5**

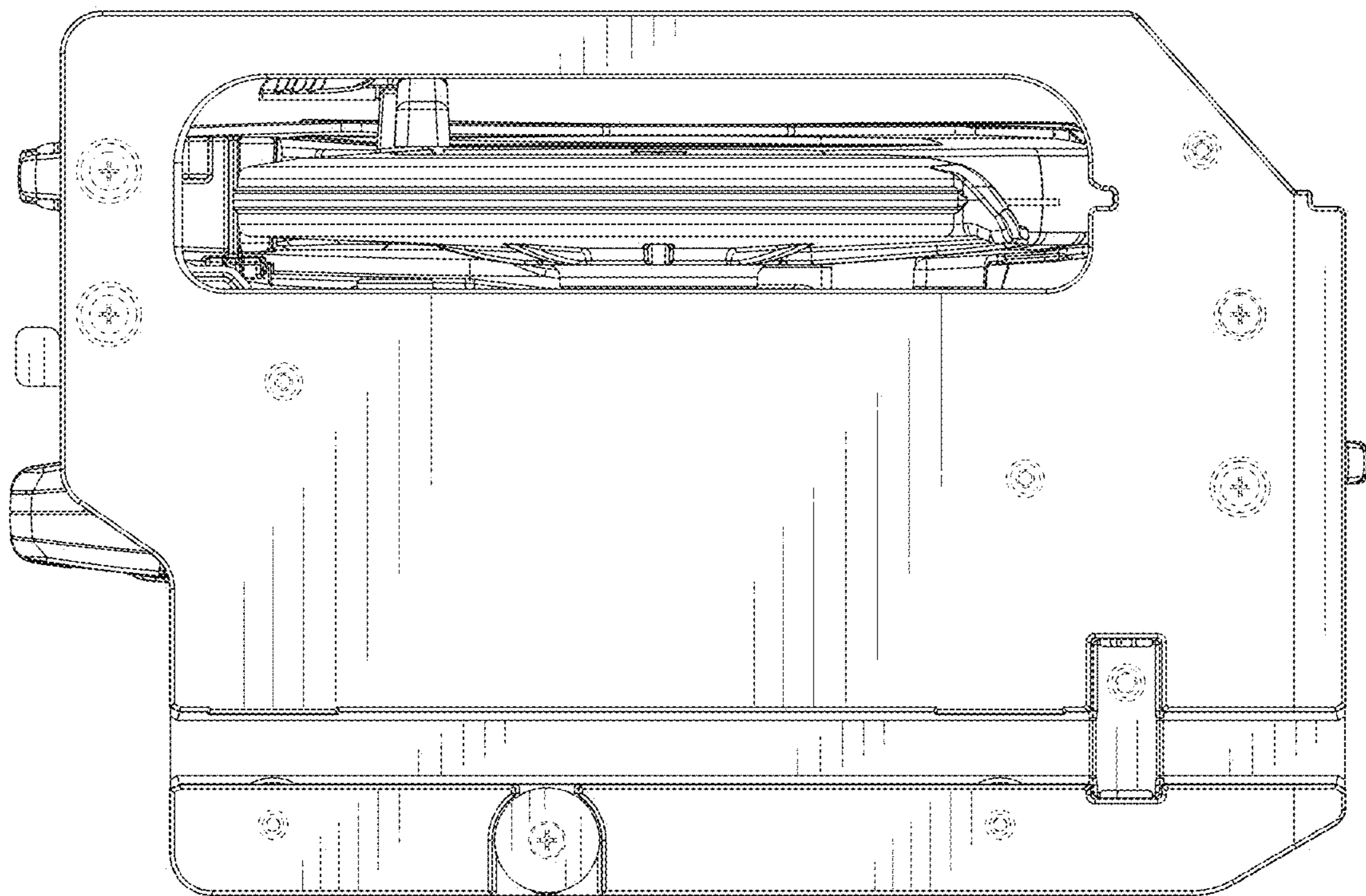


**FIG. 6**

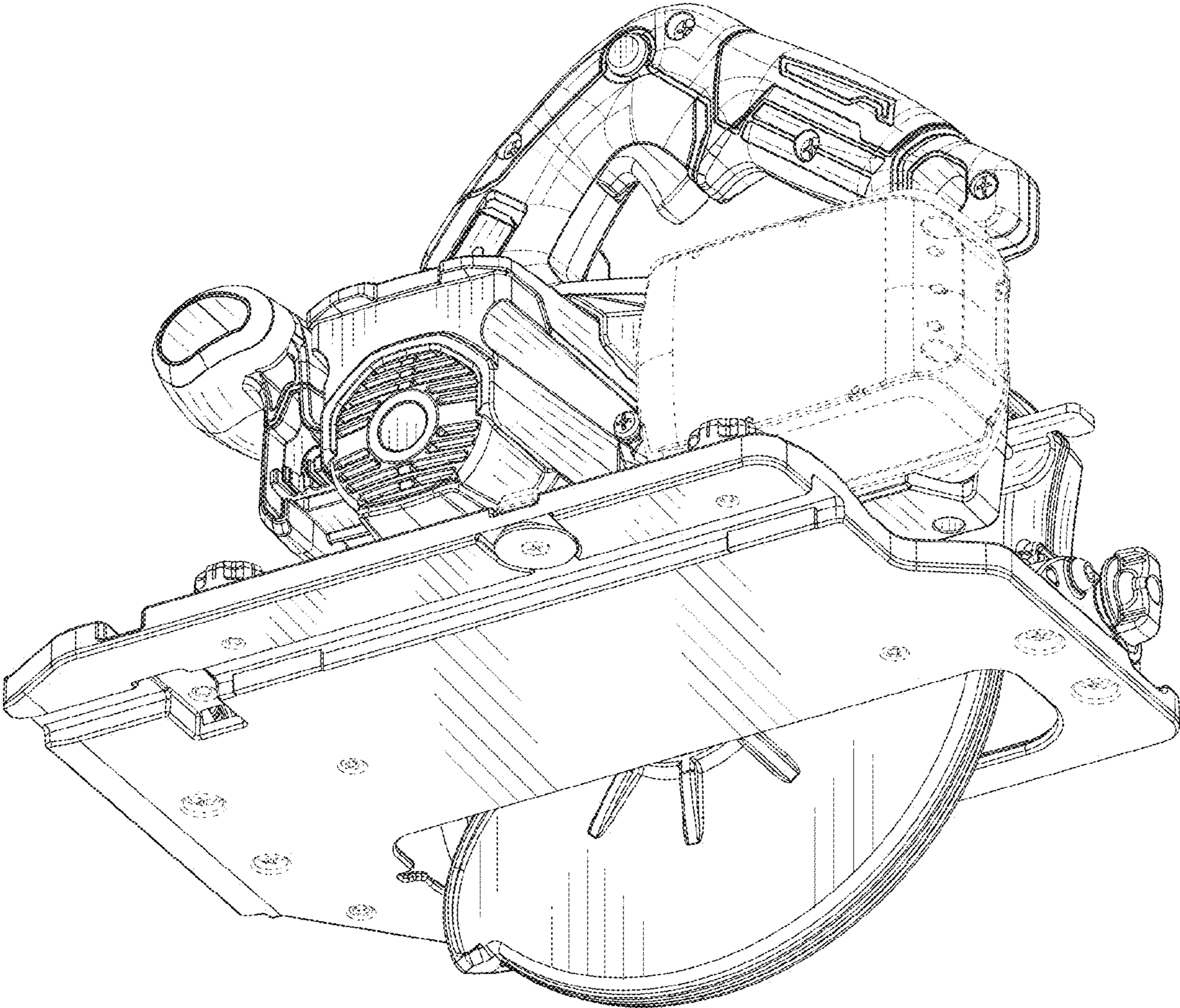




**FIG. 7**



**FIG. 8**



**FIG. 9**