



US00D959223S

(12) **United States Design Patent**  
**Hyma et al.**

(10) **Patent No.:** **US D959,223 S**  
(45) **Date of Patent:** **\*\* Aug. 2, 2022**

(54) **CUTTER AND KIT**  
(71) Applicant: **Milwaukee Electric Tool Corporation**,  
Brookfield, WI (US)  
(72) Inventors: **Steven W. Hyma**, Milwaukee, WI  
(US); **Matthew W. Naiva**, Wauwatosa,  
WI (US); **Derek Rose**, Menomonee  
Falls, WI (US)

3,783,901 A 1/1974 Schneider et al.  
4,201,116 A 5/1980 Martin  
4,485,846 A 12/1984 Neff  
4,493,150 A 1/1985 Garcia et al.  
(Continued)

(73) Assignee: **Milwaukee Electric Tool Corporation**,  
Brookfield, WI (US)  
(\*\*) Term: **15 Years**

**FOREIGN PATENT DOCUMENTS**

WO WO2002002264 1/2002

(21) Appl. No.: **29/688,661**  
(22) Filed: **Apr. 23, 2019**

**OTHER PUBLICATIONS**

International Search Report and Written Opinion for Application  
No. PCT/US2016/051982 dated Jan. 9, 2017 (15 pages).  
(Continued)

*Primary Examiner* — Deanna L Pratt  
(74) *Attorney, Agent, or Firm* — Reinhart Boerner Van  
Deuren s.c.

**Related U.S. Application Data**

(63) Continuation of application No. 29/634,969, filed on  
Jan. 26, 2018, now Pat. No. Des. 851,473, which is a  
continuation of application No. 29/539,528, filed on  
Sep. 15, 2015, now Pat. No. Des. 808,756.

(57) **CLAIM**

We claim the ornamental design for a cutter and kit, as  
shown and described.

(51) **LOC (13) Cl.** ..... **08-03**  
(52) **U.S. Cl.**  
USPC ..... **D8/60; D3/295; D3/905**  
(58) **Field of Classification Search**  
USPC ..... D8/4, 5, 51–60, 71; D3/201, 273, 294,  
D3/295, 319, 905  
CPC ..... B23D 21/04; B23D 21/06; B23D 21/08;  
B26D 3/16; B26D 3/169  
See application file for complete search history.

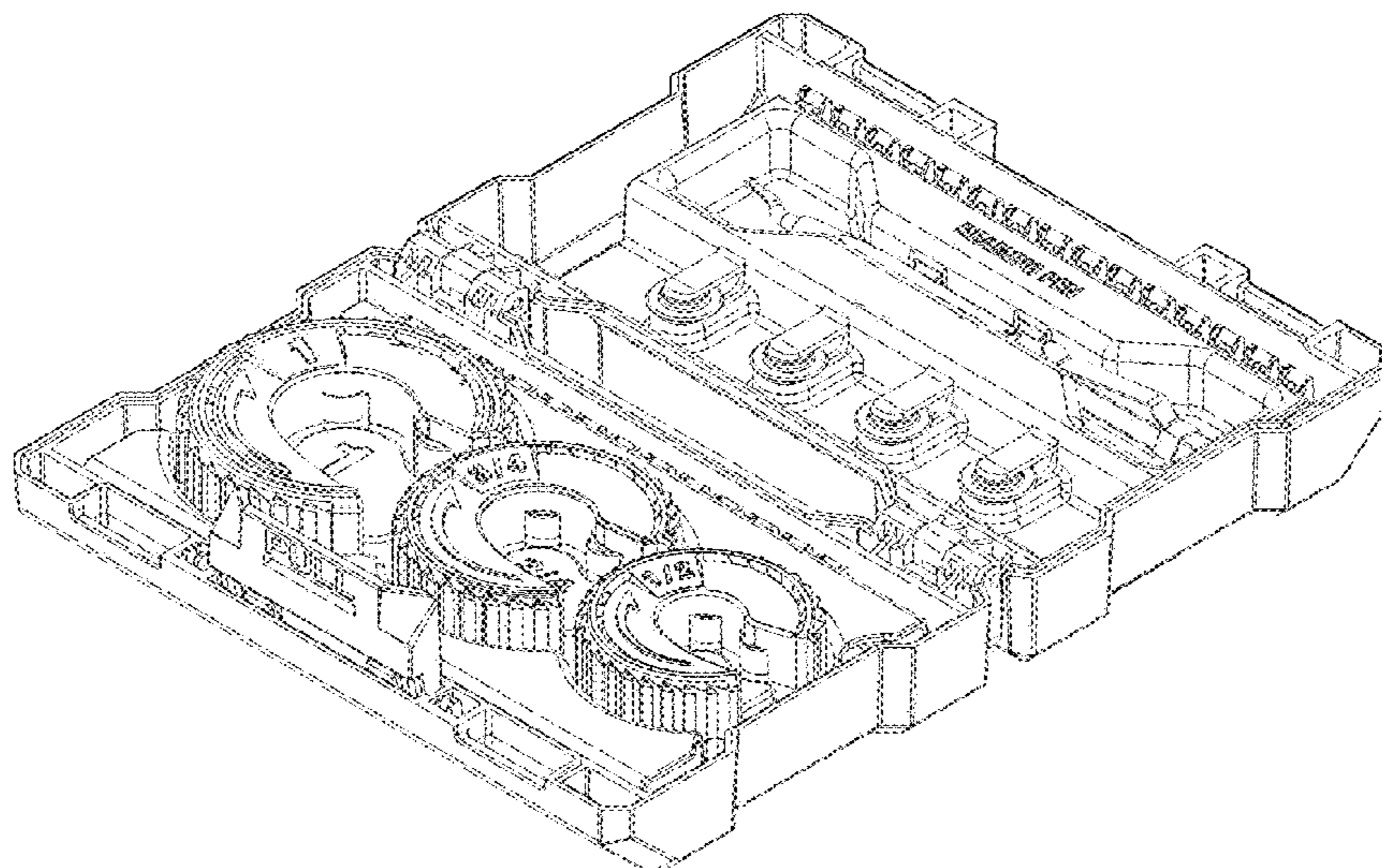
**DESCRIPTION**

FIG. 1 is a front perspective view of kit of cutters, cutting  
accessories and/or parts.  
FIG. 2 is a top view of the kit of FIG. 1.  
FIG. 3 is a front perspective view of a case assembly of the  
kit of FIG. 1.  
FIG. 4 is a rear perspective view of the case assembly of  
FIG. 3.  
FIG. 5 is a top view of the case assembly of FIG. 3.  
FIG. 6 is a front perspective view of inserts for the case  
assembly of FIG. 3.  
FIG. 7 is a rear perspective view of the inserts of FIG. 6.  
FIG. 8 is a top view of the inserts of FIG. 6.  
FIG. 9 is a front perspective view of an outer case of the case  
assembly of FIG. 3; and,  
FIG. 10 is a top view of the outer case of FIG. 9.

(56) **References Cited**  
U.S. PATENT DOCUMENTS

1,393,156 A 10/1921 Nonneman  
2,697,875 A 12/1954 Mciver  
2,796,663 A 6/1957 Karnes  
2,956,339 A 10/1960 Jonasson  
3,347,118 A 10/1967 Gore et al.  
3,757,823 A 9/1973 Knutson

**1 Claim, 10 Drawing Sheets**



(56)

References Cited

U.S. PATENT DOCUMENTS

4,596,271 A 6/1986 Brundage  
 4,831,732 A 5/1989 Garton  
 5,285,576 A 2/1994 Taylor  
 5,366,202 A 11/1994 Lunzman  
 5,520,217 A 5/1996 Grawunde  
 5,605,289 A 2/1997 Maley et al.  
 5,632,258 A 5/1997 Tsuzuki et al.  
 5,865,156 A 2/1999 Feucht et al.  
 5,903,980 A 5/1999 Collier et al.  
 6,024,060 A 2/2000 Buehrle, II et al.  
 6,026,791 A 2/2000 Arnold  
 6,050,248 A 4/2000 Arulraja et al.  
 6,173,684 B1 1/2001 Buehrle, II et al.  
 6,178,956 B1 1/2001 Steinmann et al.  
 6,182,646 B1 2/2001 Silberstein et al.  
 6,345,444 B1 2/2002 Gillet et al.  
 D458,840 S \* 6/2002 Lai ..... D9/423  
 D459,223 S \* 6/2002 Lai ..... D9/423  
 D464,244 S 10/2002 Lira-Nunez  
 6,601,821 B2 8/2003 Tyler  
 D556,528 S 12/2007 Huang  
 7,406,769 B1 8/2008 Toussaint  
 7,743,510 B2 6/2010 Lazarevic  
 D640,520 S 6/2011 Rampling  
 8,573,099 B2 11/2013 Huang  
 8,601,697 B2 12/2013 Whittaker

8,800,151 B2 8/2014 Lee  
 D753,917 S \* 4/2016 Koeniger ..... D3/905  
 D808,756 S 1/2018 Hyma et al.  
 10,046,470 B2 8/2018 Thorson  
 10,052,701 B2 8/2018 Zhou  
 10,059,018 B2 \* 8/2018 Zhou ..... B26D 3/169  
 D848,738 S \* 5/2019 Zhao ..... D3/905  
 D851,473 S \* 6/2019 Hyma ..... D8/60  
 10,688,677 B2 \* 6/2020 Xie ..... B26D 1/1575  
 D894,587 S \* 9/2020 Sun ..... D3/201  
 10,919,098 B2 \* 2/2021 Hyma ..... B25G 1/10  
 D924,563 S \* 7/2021 Tilly ..... D3/282  
 D932,187 S \* 10/2021 Ye ..... D3/294  
 11,224,925 B2 \* 1/2022 Canis ..... B23D 45/126  
 2006/0085987 A1 4/2006 Gordon  
 2007/0180701 A1 8/2007 Hutt  
 2010/0088898 A1 4/2010 Thorson et al.  
 2011/0179649 A1 7/2011 Park  
 2012/0023752 A1 2/2012 Rampling et al.  
 2012/0247286 A1 10/2012 Huang  
 2016/0361829 A1 12/2016 Hyma  
 2018/0250759 A1 9/2018 Hyma  
 2018/0290323 A1 10/2018 Xie

OTHER PUBLICATIONS

LENOX Tool Catalogue, Tight Space Tubing Cutters, p. 63, catalogue copyright dated Jan. 2013.

\* cited by examiner

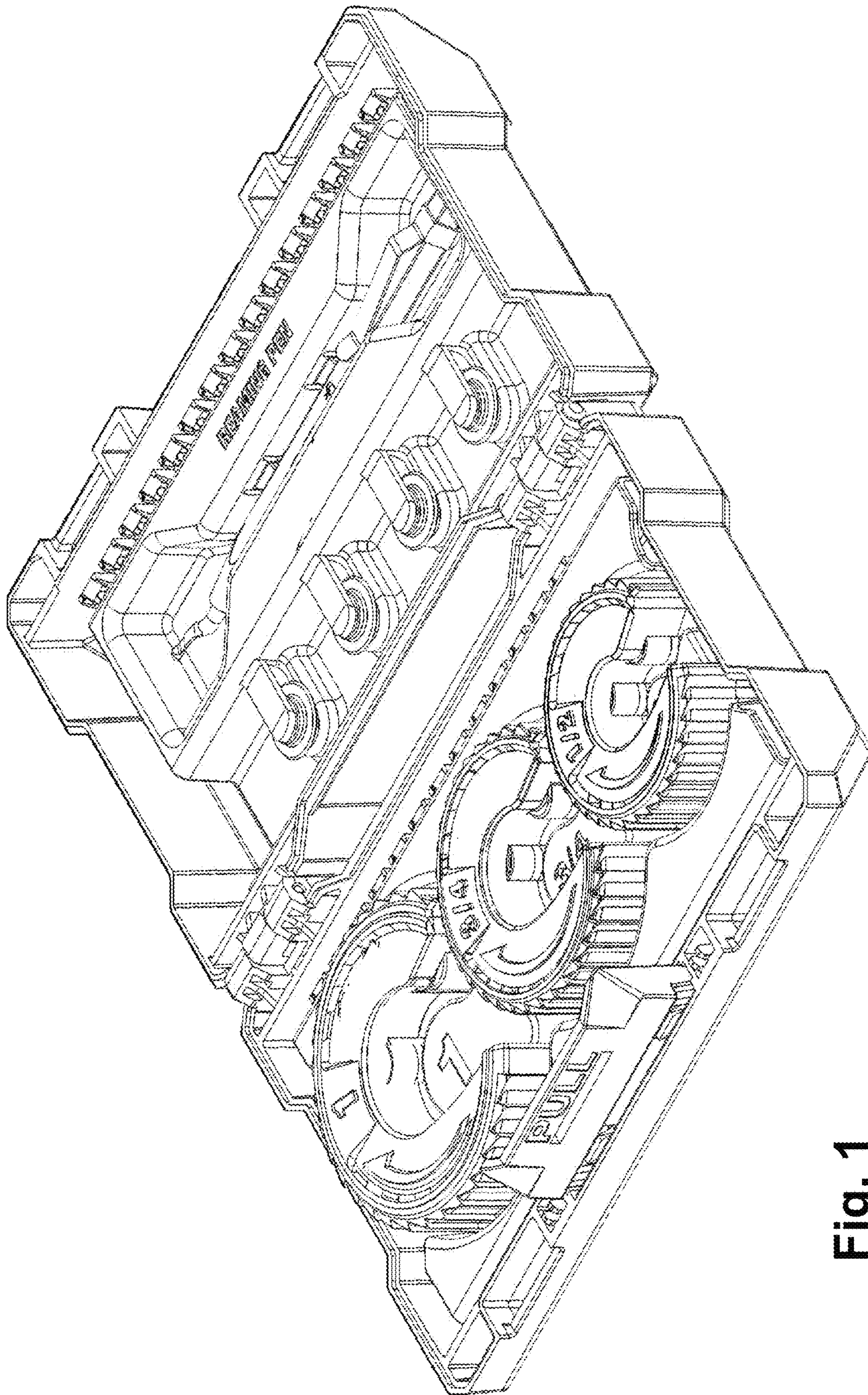


Fig. 1

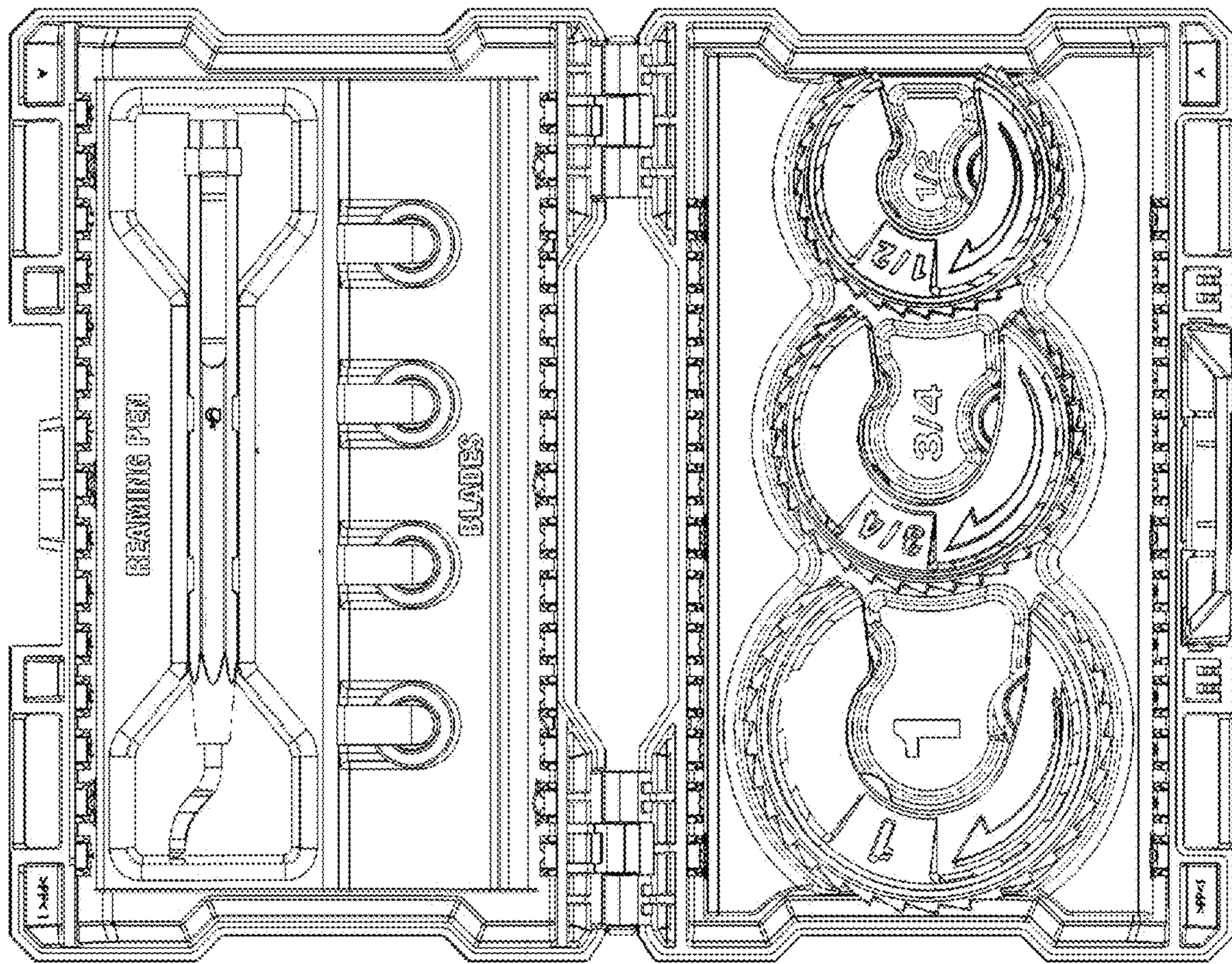


Fig. 2

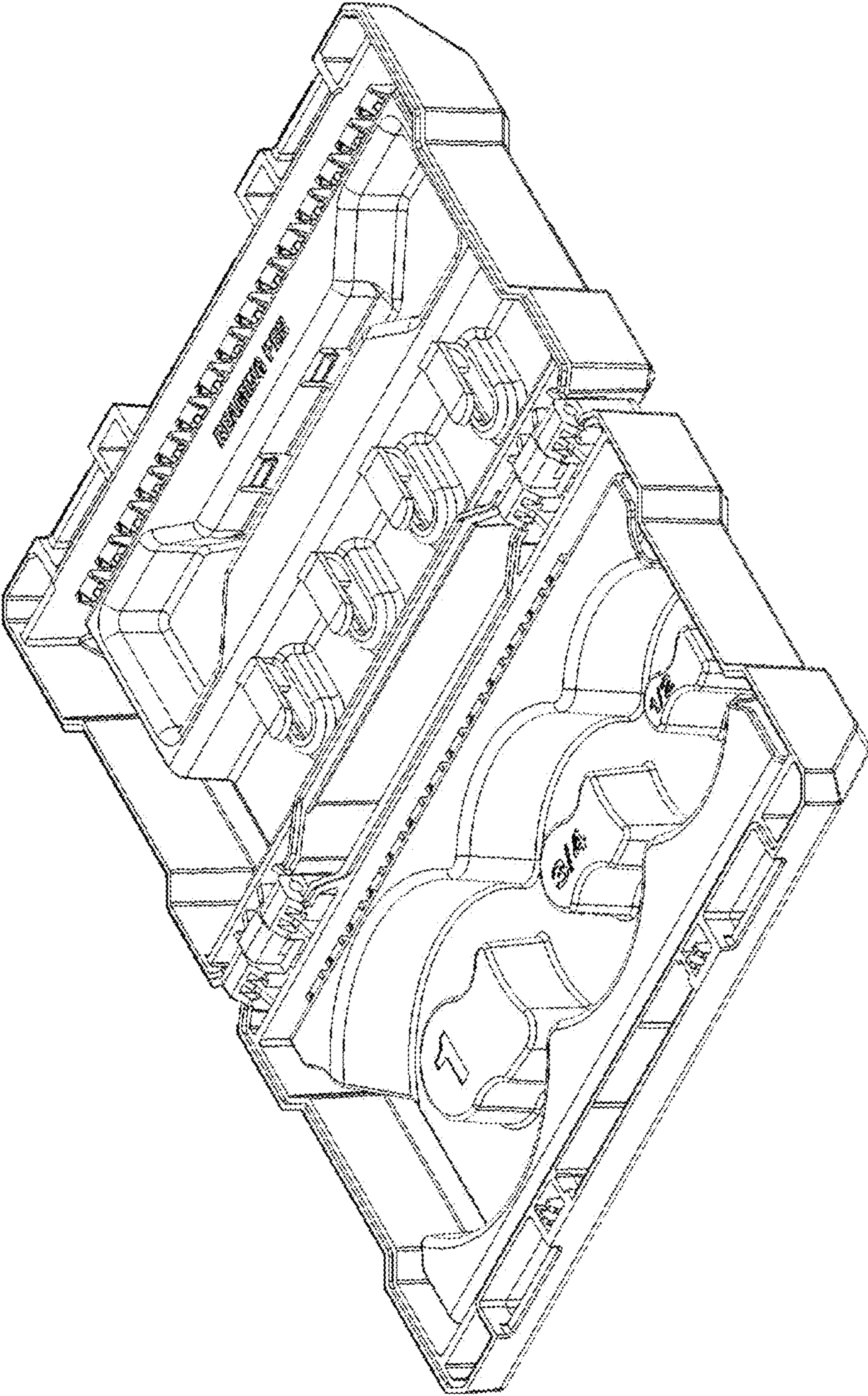


Fig. 3

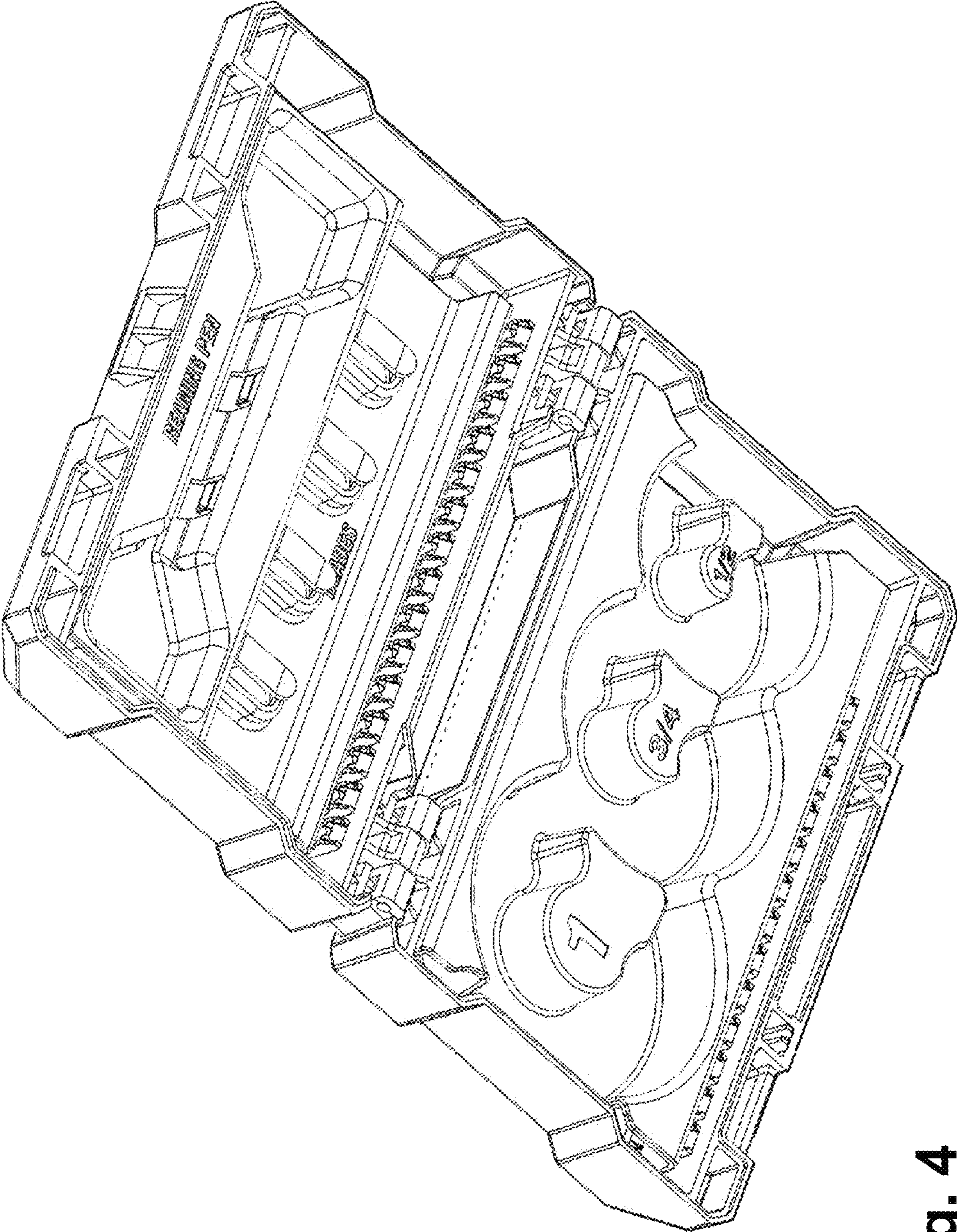


Fig. 4

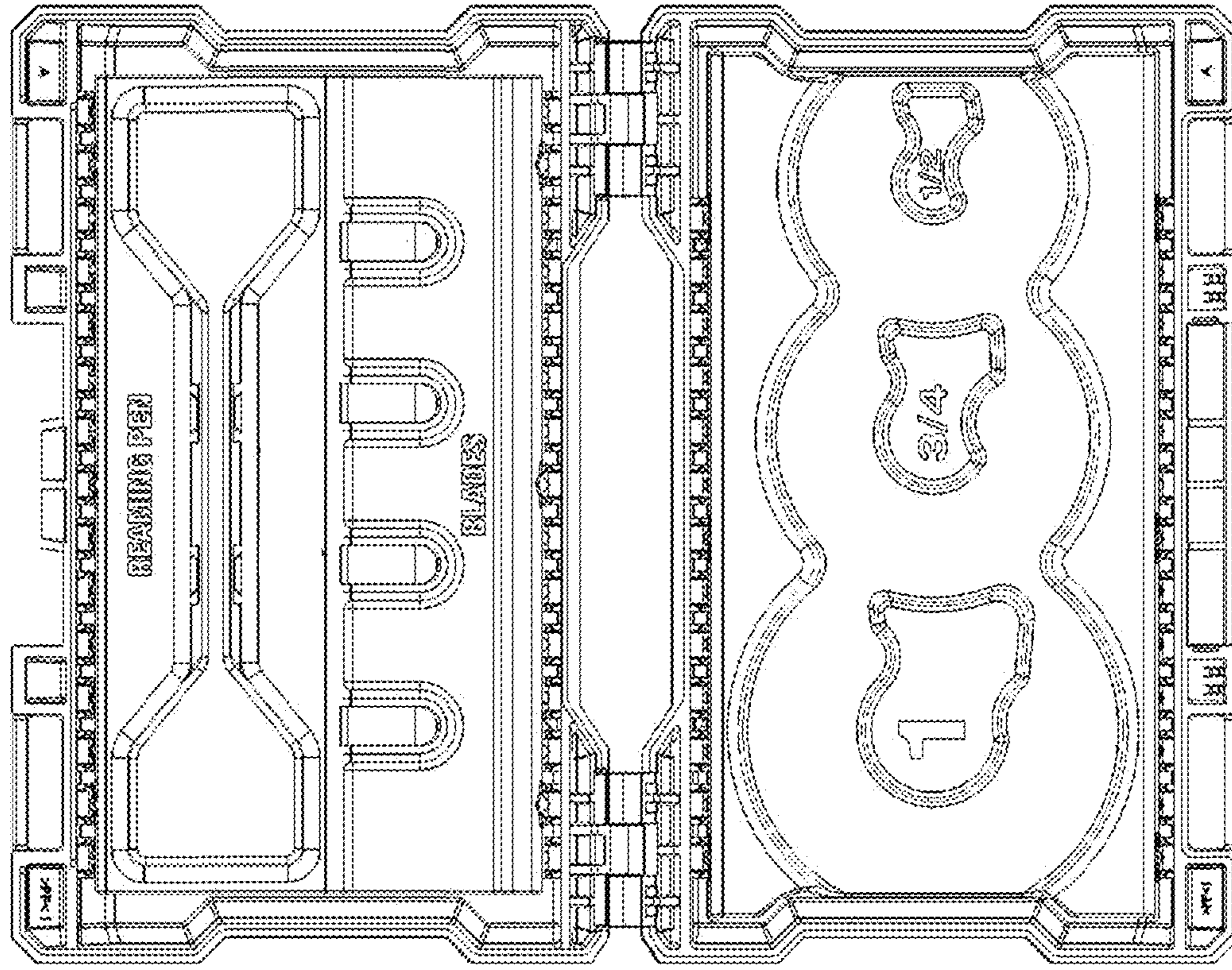


Fig. 5

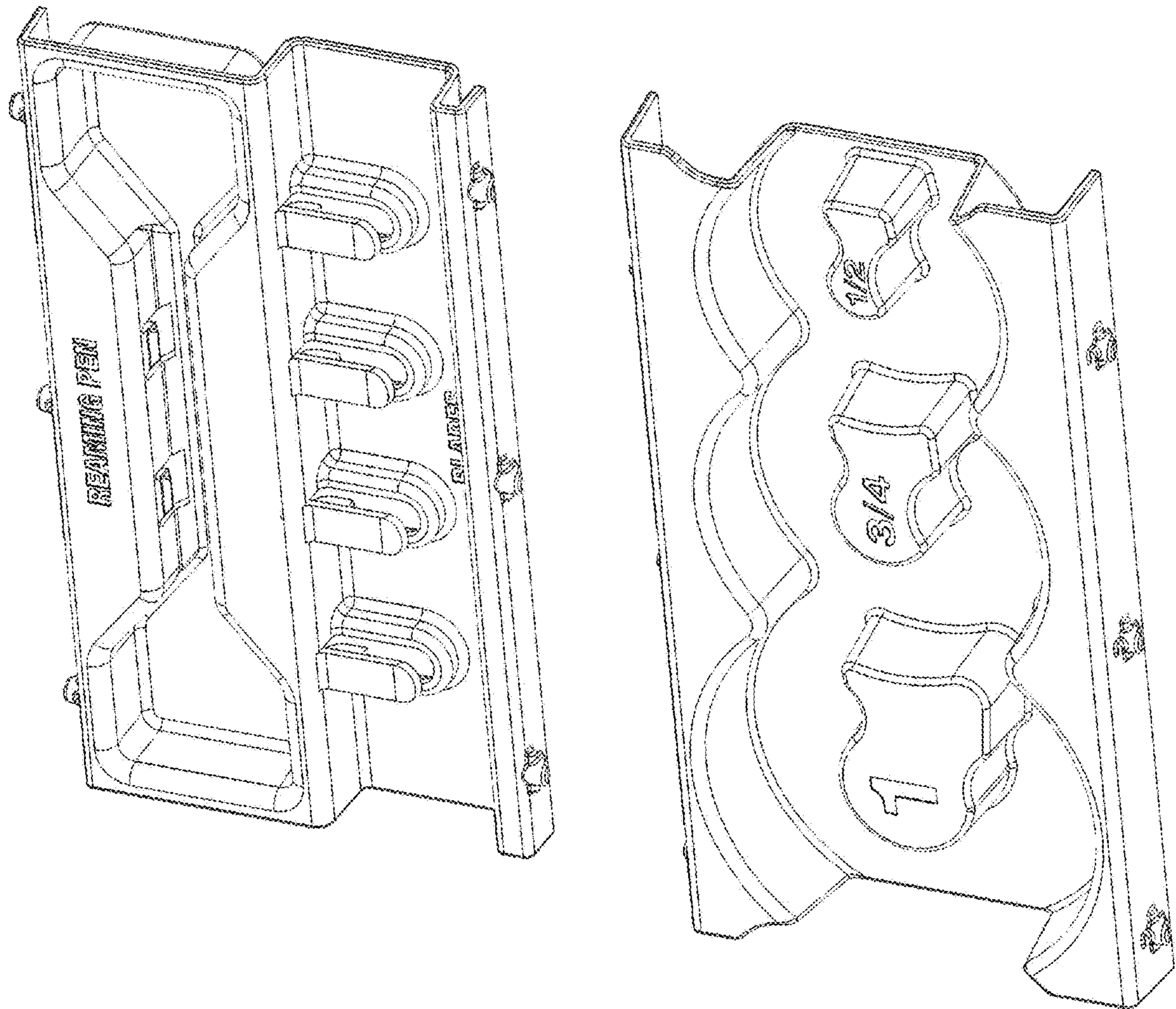


Fig. 6



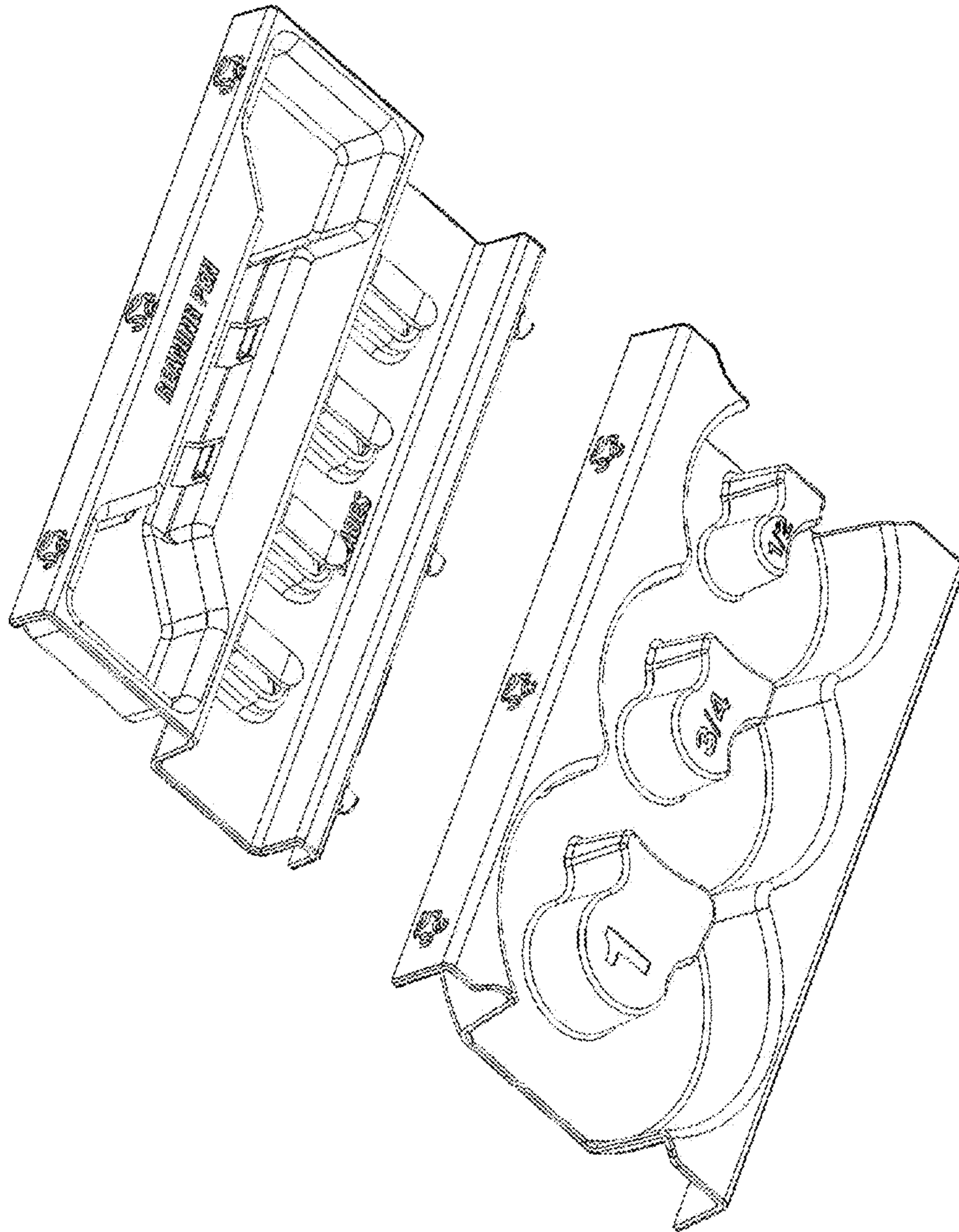


Fig. 7

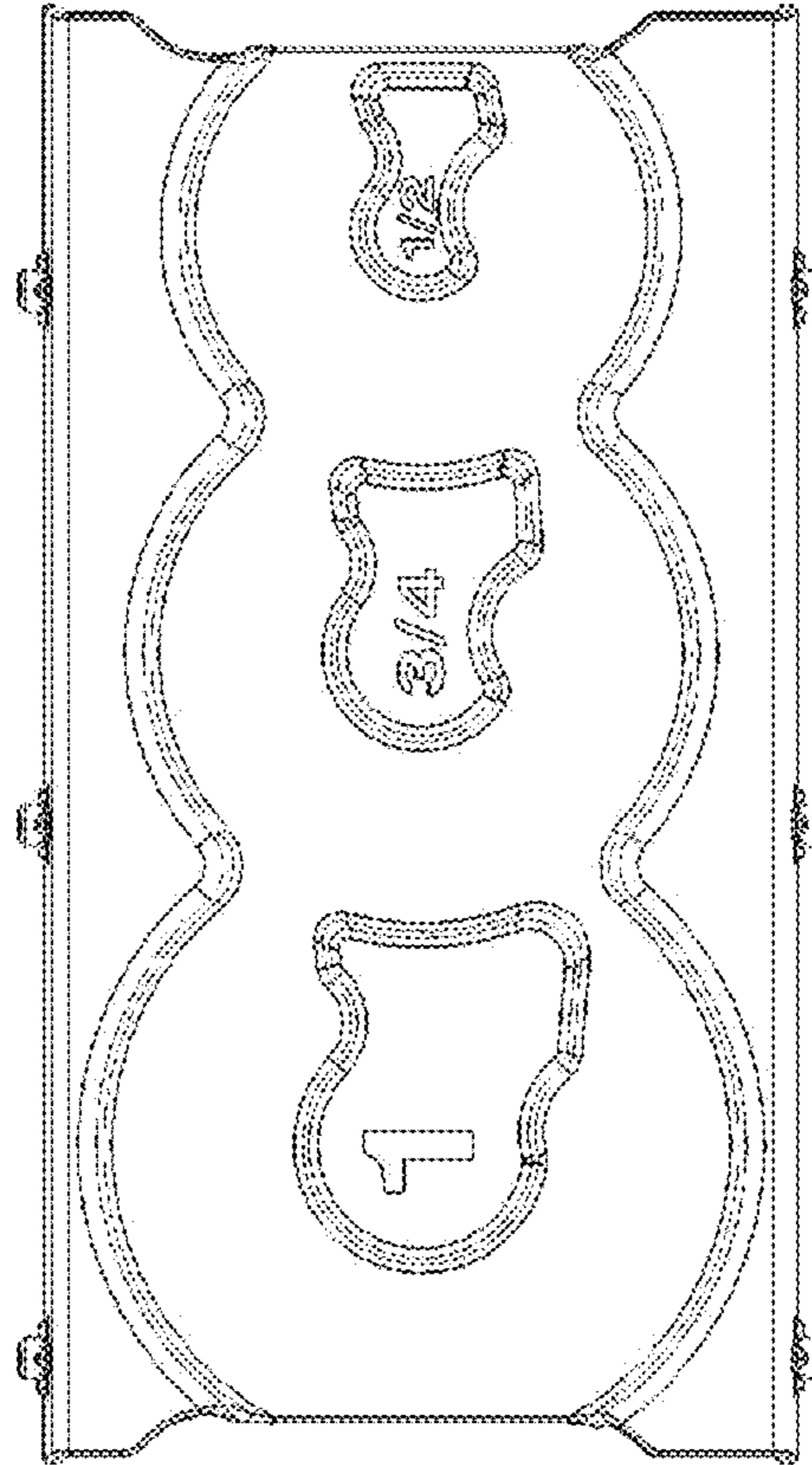
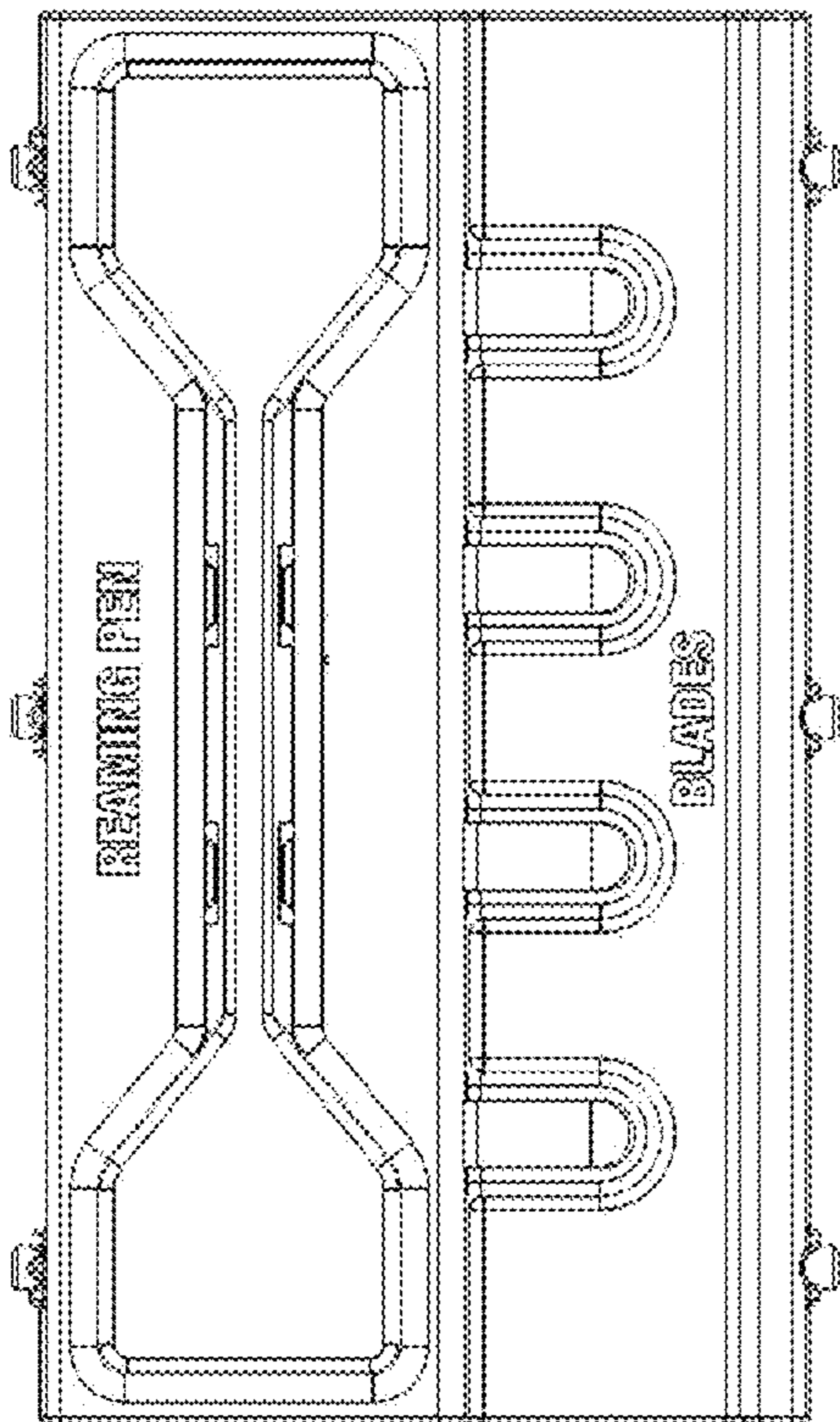


Fig. 8

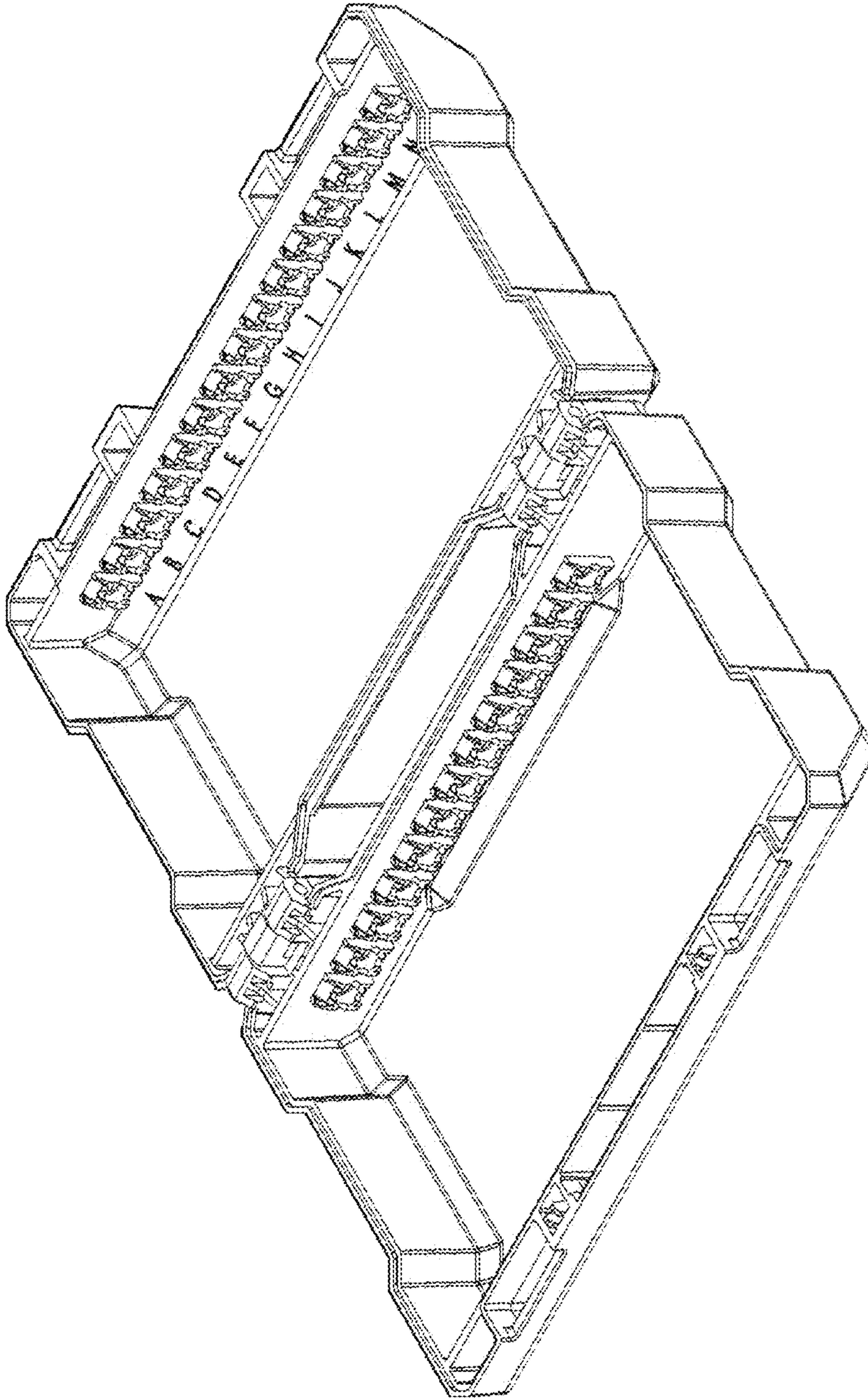


Fig. 9

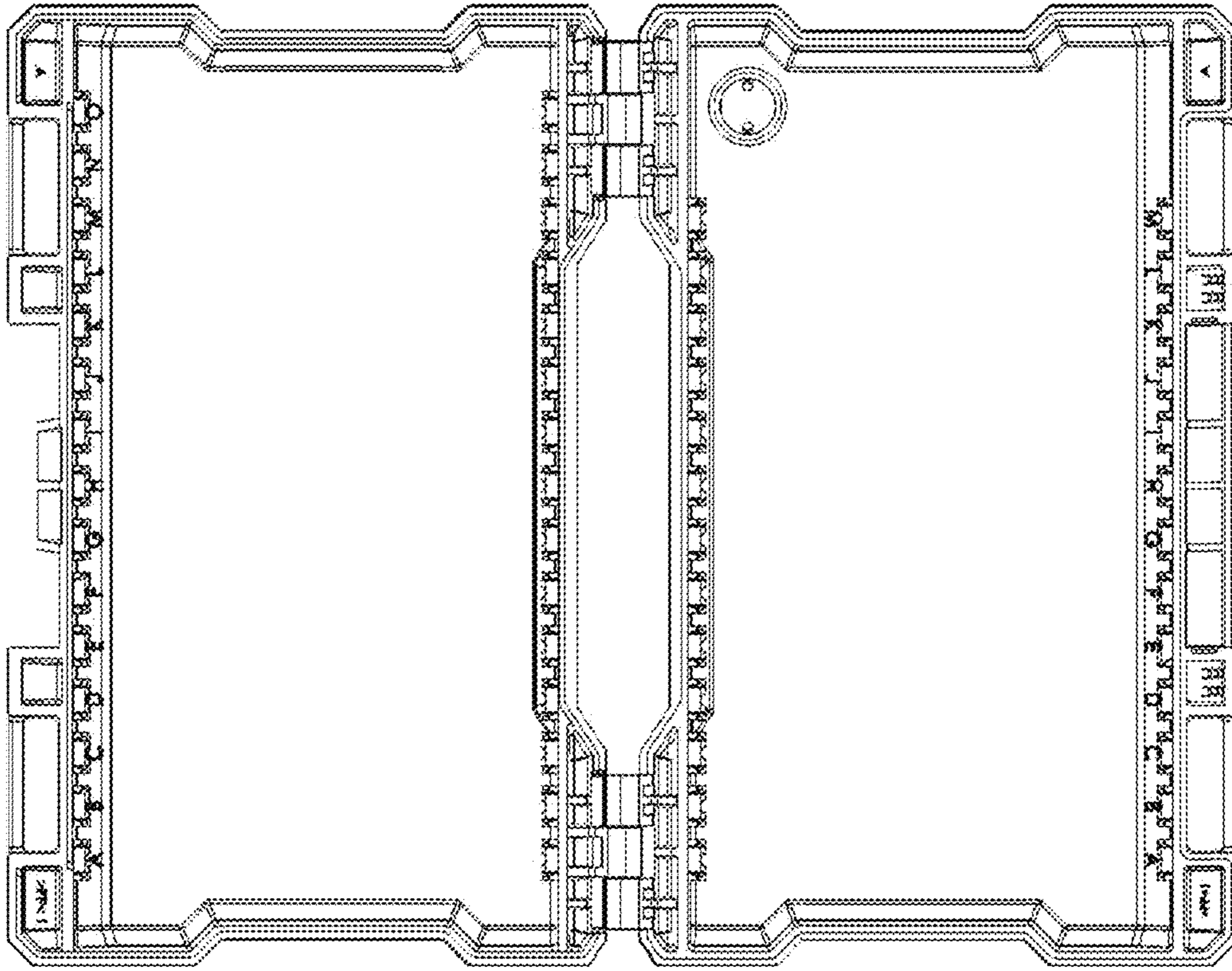


Fig. 10