



US00D959222S

(12) **United States Design Patent**
Fine

(10) **Patent No.:** **US D959,222 S**

(45) **Date of Patent:** **** Aug. 2, 2022**

(54) **STAPLER**

(71) Applicant: **Jonathan M. Fine**, Brookline, MA
(US)

(72) Inventor: **Jonathan M. Fine**, Brookline, MA
(US)

(**) Term: **15 Years**

(21) Appl. No.: **29/765,498**

(22) Filed: **Jan. 8, 2021**

(51) **LOC (13) Cl.** **19-02**

(52) **U.S. Cl.**
USPC **D8/49**

(58) **Field of Classification Search**
USPC D8/49, 394, 395, 396, 50; D19/65, 72,
D19/99, 100; 24/67 R, 67.1, 67.3, 67.5,
24/67.7, 67.9, 67.11, 67 CF, 67 P, 570,
24/DIG. 8, DIG. 9; 30/358; 281/44
CPC B25C 5/0242; B25C 5/0285; B25C 5/11;
B27F 5/17; B26F 1/36
See application file for complete search history.

(56) **References Cited**

U.S. PATENT DOCUMENTS

D318,407 S * 7/1991 Williams D8/50
D367,414 S * 2/1996 Chi D8/50
D401,825 S * 12/1998 Parsey D19/72

D468,981 S * 1/2003 Nolan D8/49
D513,159 S * 12/2005 Marks D8/50
D567,043 S * 4/2008 Marks D8/50
D570,170 S * 6/2008 Kent D8/50
D581,230 S * 11/2008 Cunningham D8/49
D599,636 S * 9/2009 Cedar D8/49
D606,826 S * 12/2009 Marks D8/49
D622,570 S * 8/2010 Miyagi D8/50
8,550,322 B2 * 10/2013 Marks B25C 5/1696
227/135
D713,230 S * 9/2014 Chuang D8/49

* cited by examiner

Primary Examiner — Austin Murphy

(74) *Attorney, Agent, or Firm* — Evan Law Group LLC

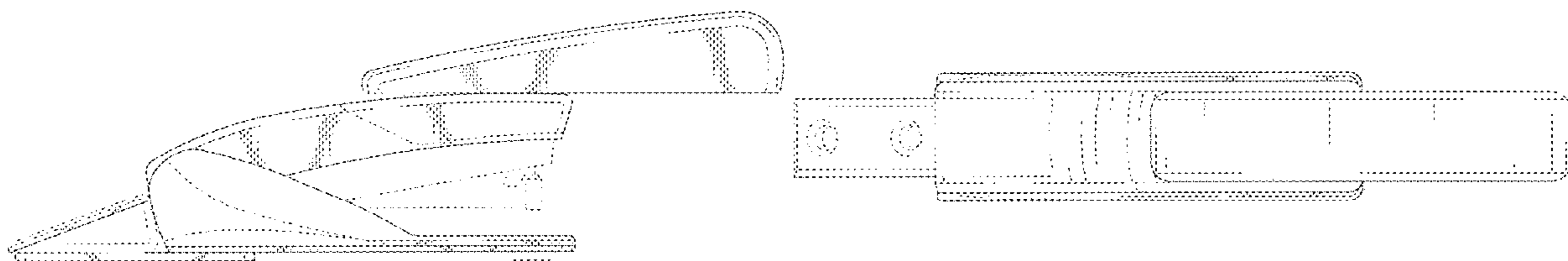
(57) **CLAIM**

The ornamental design for a stapler, as show and described.

DESCRIPTION

FIG. 1 is a front, top, and side perspective view of a stapler;
FIG. 2 is a front plan view thereof, the back plan view being
a mirror image;
FIG. 3 is a top plan view thereof;
FIG. 4 is a bottom plan view thereof;
FIG. 5 is a left side plat view thereof; and,
FIG. 6 is a right side plan view thereof.
The features shown in broken lines are shown for illustrative
purposes only and form no part of the claimed design.

1 Claim, 3 Drawing Sheets



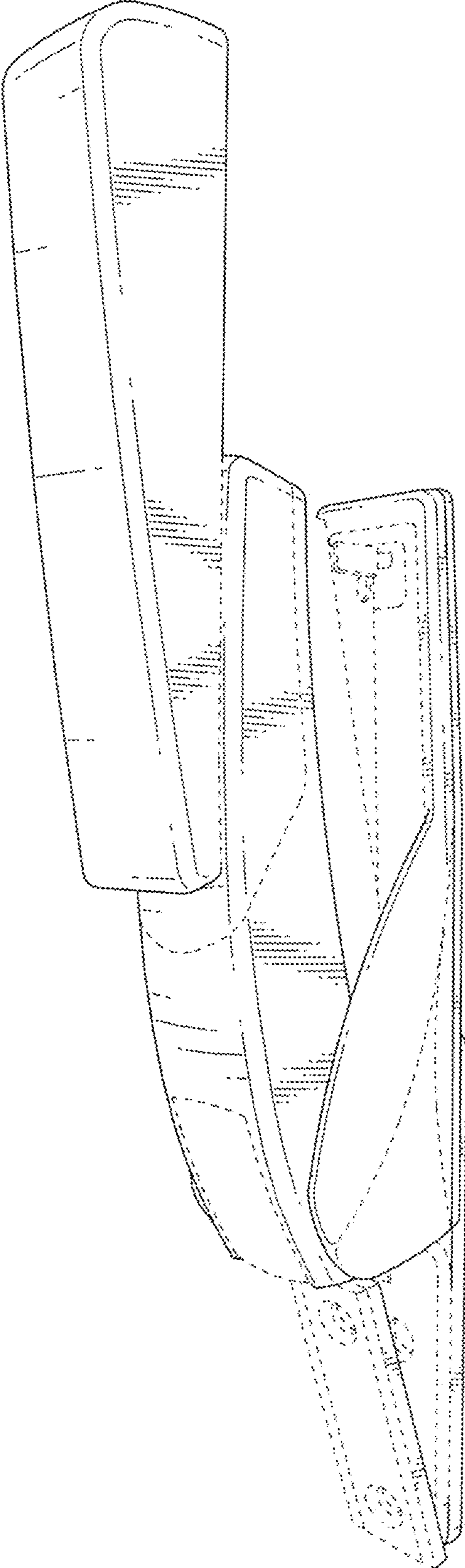


FIG. 1

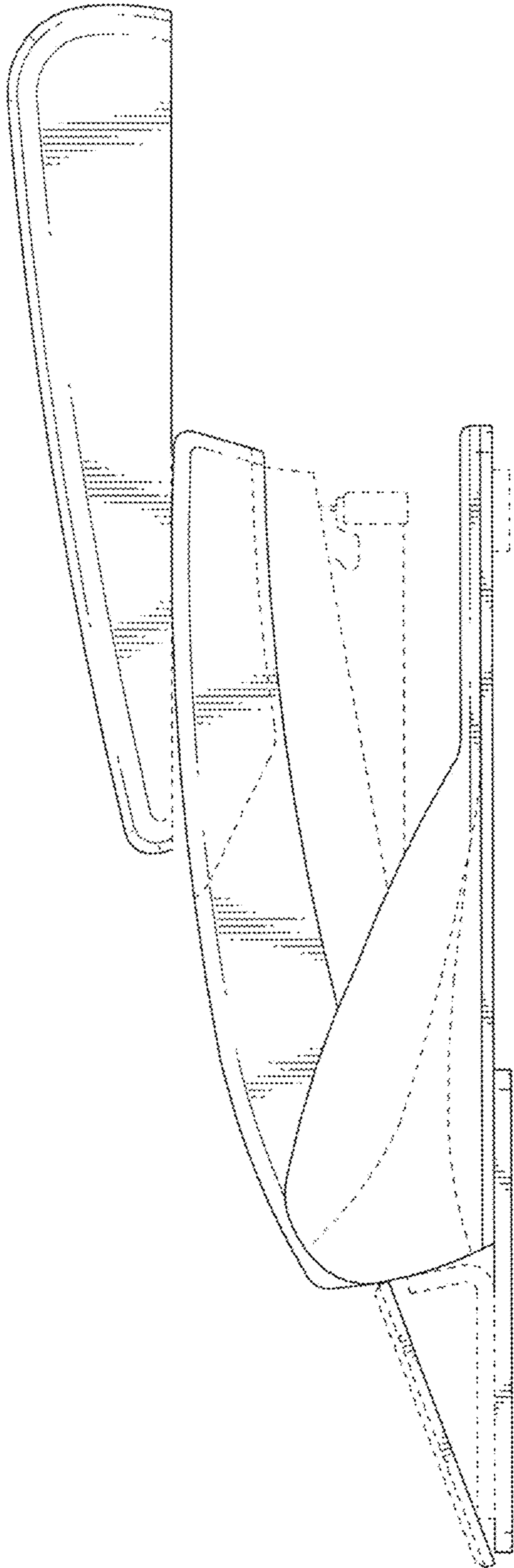


FIG. 2

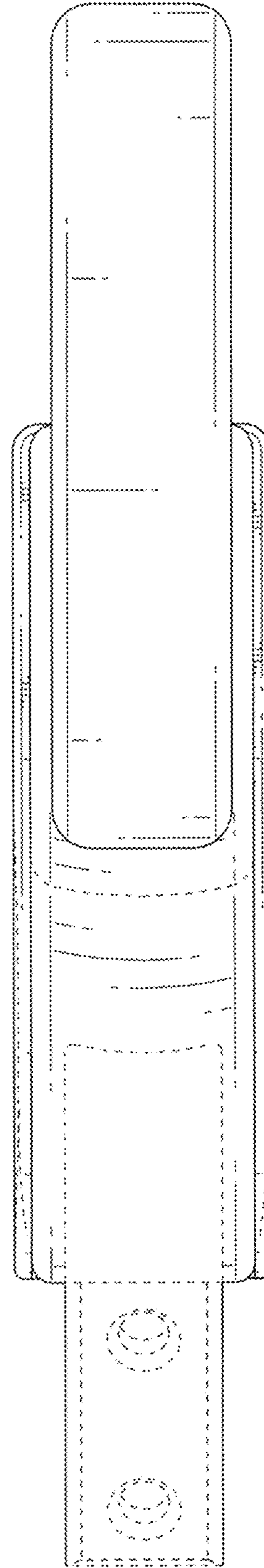


FIG. 3

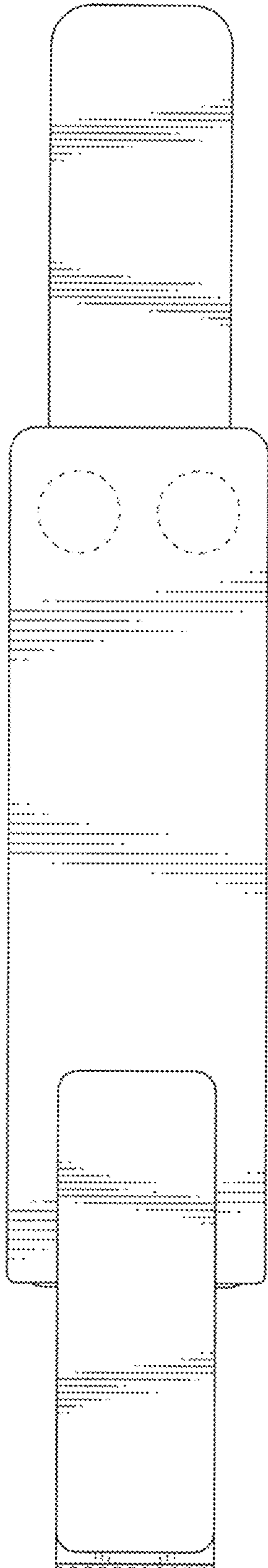


FIG. 4

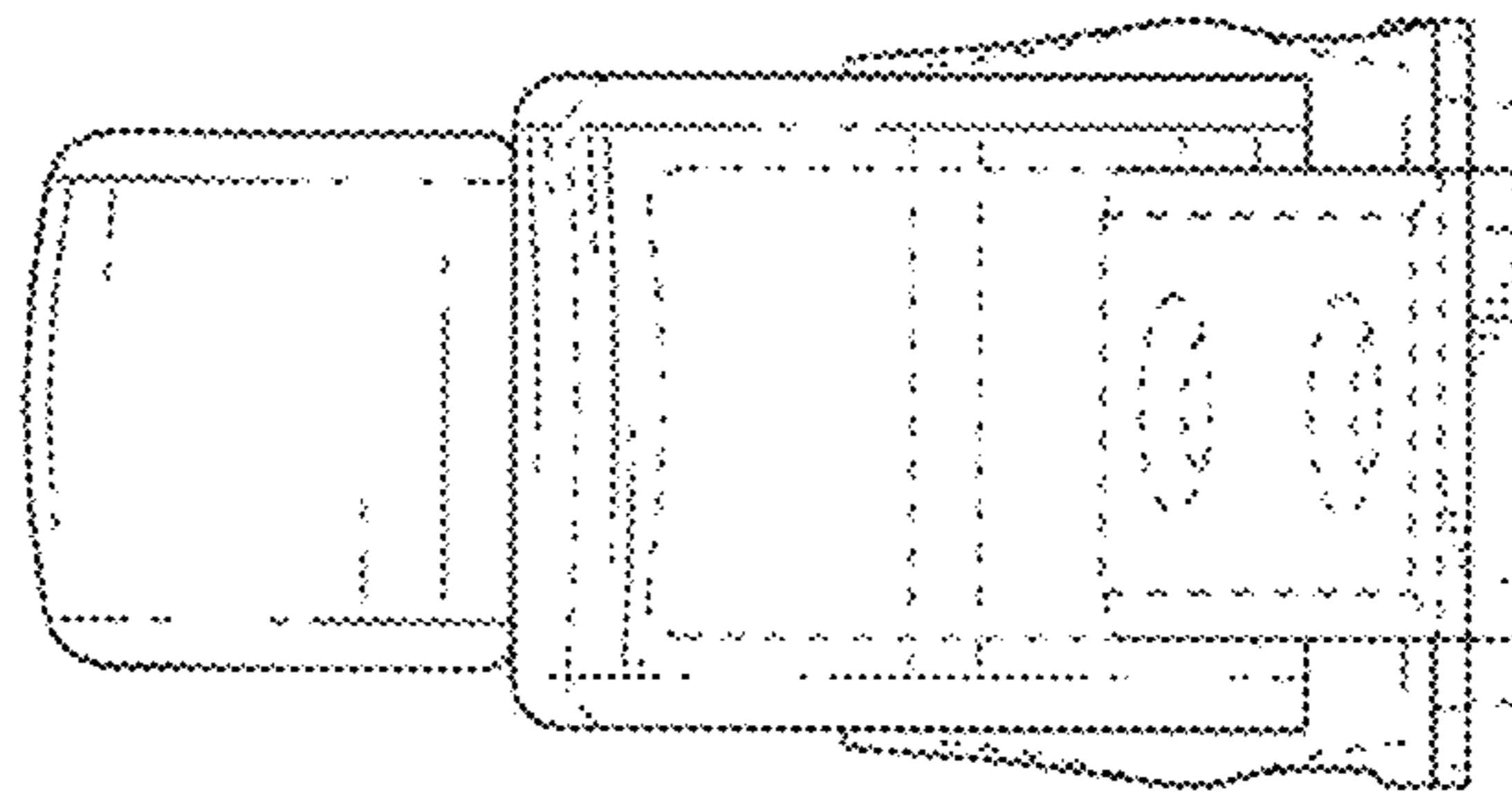


FIG. 5

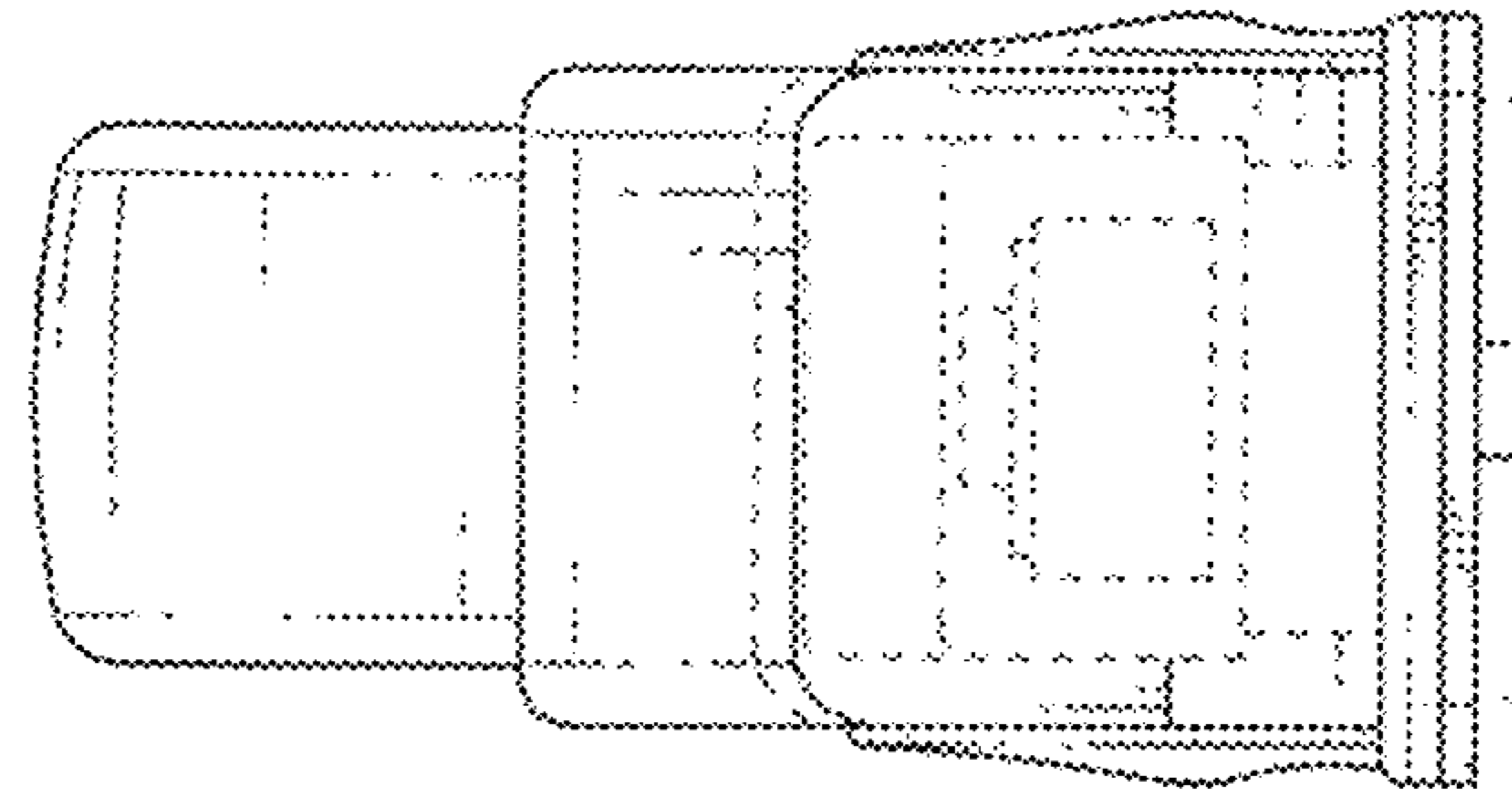


FIG. 6